

**SAMSUNG**

**FJM**

# Technical Data Book

Free Joint Multi for Europe  
(R410A, 50Hz, HP)



Model : Outdoor unit (AJ\*\*\*MCJ\*EH/EU)

Indoor unit (AR\*\*JSPFBWKNEU, AR\*\*\*SPDBWKNEU, AR\*\*\*SWS\*\*\*N\*\*, AR\*\*\*SWNAWKN\*\*,  
AR\*\*MSFPEWQN\*\*, AR\*\*MSFHBWKN\*\*, AR\*\*MSP\*\*\*N\*\*, MH\*\*\*F\*EA,  
AJN\*\*\*NDEHA/EU, NJ\*\*\*LHXEA)

# History

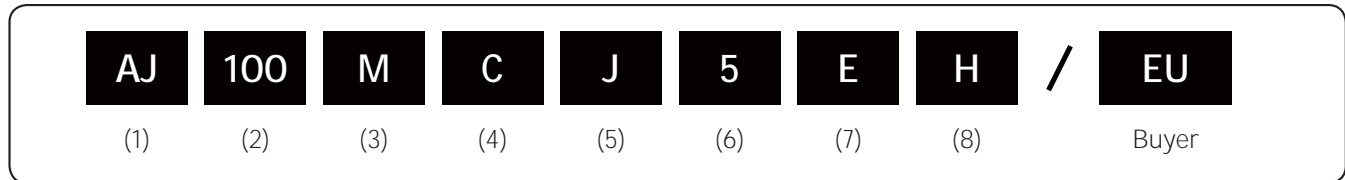
---

Version	Modification	Date	Remark
Ver.1.0	Release FJM for Europe TDB	17. 01	
Ver. 1.1	Add RAC (Wind-Free Model) Spec	17. 02	
Ver. 1.2	Modify IDU Weight & Drain Pimp Model name	17. 02	
Ver.1.3	Modify RAC (Wind-Free) Model Name (SI → WK)	17. 03	
Ver.1.4	Modify Pannel Spec of 4Way Cassette(600x600) (Model name, Net/Shipping Weight&Size)	17. 03	

# Nomenclature

## Outdoor Units

Model Name



(1) Model

<b>AC</b>	CAC
<b>AM</b>	DVM
<b>AJ</b>	FJM (Free Joint Multi)
<b>AE</b>	EHS

(2) Capacity

X 1/10 kW (3 digits)
----------------------

(3) Version

<b>J</b>	2015
<b>K</b>	2016
<b>M</b>	2017

(4) Product Type

<b>S</b>	SET (NASA)
<b>N</b>	Indoor Unit (NASA)
<b>X</b>	Outdoor Unit (NASA)
<b>A</b>	SET (Non NASA)
<b>B</b>	Indoor Unit (Non NASA)
<b>C</b>	Outdoor Unit (Non NASA)

(5) Product Notation

<b>J</b>	Free Joint Multi
<b>P</b>	Pack Multi
<b>H</b>	DVM Home

(6) Feature

<b>2</b>	2 Room
<b>3</b>	3 Room
<b>4</b>	4 Room
<b>5</b>	5 Room

(7) Rating Voltage

<b>A</b>	115V, 60Hz
<b>B</b>	220V, 60Hz
<b>C</b>	208~230V, 60Hz
<b>D</b>	200 ~ 220V, 50Hz
<b>E</b>	220 ~ 240V, 50Hz

(8) Mode

<b>C</b>	Cooling Only (R410A)
<b>H</b>	Heat Pump (R410A)
<b>R</b>	Heat Recovery (R410A)

# Nomenclature

## Indoor Units

Wall Mounted Type (RAC : A3050, Maldives, New Boracay, Wind-Free)

Model Name

<b>AR</b>	<b>09</b>	<b>M</b>	<b>S</b>	<b>P</b>	<b>XB</b>	<b>WK</b>	<b>N</b>	/	<b>EU</b>
(1)	(2)	(3)	(4)	(5)	(6)	(7)	(8)		Buyer

(1) Classification

<b>AR</b>	RAC
-----------	-----

(2) Capacity

X1,000 Btu/h (2 digits)
-------------------------

(3) Version

<b>J</b>	2015
<b>K</b>	2016
<b>M</b>	2017

(4) Feature 1

<b>S</b>	Inverter Heat Pump R410A
----------	--------------------------

(5) Feature 2

<b>F</b>	SPI not included
<b>P</b>	Wi-Fi + SPI
<b>W</b>	Wi-Fi

(6) Series

<b>FB</b>	FLG (A3050 Best, AR9570) 2nd
<b>DB</b>	DLX (A3050 Better, AR7580) 2nd
<b>SA</b>	STD (A3050 Good1, AR5580) 1st
<b>SB</b>	STD (A3050 Good1, AR5580) 2nd
<b>NA</b>	ENT (A3050 Good2, AR5680) 1st
<b>PE</b>	Maldives (A+High)
<b>HB</b>	New Boracay (No Pattern)
<b>XA</b>	Wind-Free (A3050) 1st
<b>XB</b>	Wind-Free (A3050) 2nd

(7) Color

<b>WK</b>	DA White
<b>WQ</b>	DA White
<b>UR</b>	Midnight Blue
<b>SI</b>	Vivaldi White

(8) Product

<b>N</b>	Indoor Unit
<b>X</b>	Outdoor Unit

# Nomenclature

## Indoor Units

### 1 Way Cassette, MSP Duct, Console

Model Name

<b>M</b>	<b>H</b>	<b>026</b>	<b>F</b>	<b>S</b>	<b>E</b>	<b>A</b>
(1)	(2)	(3)	(4)	(5)	(6)	(7)

(1) Model

<b>M</b>	Multi
----------	-------

(2) Mode

<b>C</b>	Cooling Only
<b>H</b>	Heat Pump

(3) Capacity

	X1/10 kW (3 digits)
--	---------------------

(4) Compressor

<b>F</b>	Inverter
<b>D</b>	Digital Scroll

(5) Product Notation

<b>S</b>	Slim 1Way Cassette
<b>E</b>	LSP Duct
<b>U</b>	MSP Duct
<b>J</b>	Console

(6) Rating Voltage

<b>A</b>	115V, 60Hz
<b>B</b>	220V, 60Hz
<b>C</b>	208 ~ 230V, 60Hz
<b>D</b>	200 ~ 220V, 50Hz
<b>E</b>	220 ~ 240V, 50Hz

(7) Refrigerant

<b>Z</b>	R22
<b>A</b>	R410A

# Nomenclature

## Indoor Units

### 4Way Cassette (600x600)

Model Name

<b>AJ</b>	<b>N</b>	<b>052</b>	<b>N</b>	<b>D</b>	<b>E</b>	<b>H</b>	<b>A</b>	/	<b>EU</b>
(1)	(2)	(3)	(4)	(5)	(6)	(7)	(8)		Buyer

(1) Mode

AC	CAC
AD	DVM
AJ	FJM
AE	EHS

(2) Product Type

S	Set
N	Indoor unit
X	Outdoor unit

(3) Capacity

X1/10 kW (3 digits)
---------------------

(4) Product Notation

N	4Way Cassette (600x600)
---	-------------------------

(5) Feature

D	Deluxe
S	Standard

(6) Rating Voltage

A	115V, 60Hz
B	220V, 60Hz
C	208 ~ 230V, 60Hz
D	200 ~ 220V, 50Hz
E	220 ~ 240V, 50Hz

(7) Product Notation

C	Cooling Only (R410A)
H	Heat Pump (R410A)
R	Heat Recovery (R410A)

(8) Version

A ~ Z	Export
-------	--------

# Nomenclature

## Indoor Units

### Slim Duct

Model Name

<b>NJ</b>	<b>026</b>	<b>L</b>	<b>H</b>	<b>X</b>	<b>E</b>	<b>A</b>
(1)	(2)	(3)	(4)	(5)	(6)	(7)

(1) Model

<b>NJ</b>	Free Joint Multi
-----------	------------------

(2) Capacity

X1/10 kW (3 digits)
---------------------

(3) Product Notation

<b>L</b>	Slim Duct
----------	-----------

(4) Mode

<b>C</b>	Cooling Only
<b>H</b>	Heat Pump

(5) Refrigerant

<b>R</b>	R22
<b>X</b>	R410A

(6) Rating Voltage

<b>E</b>	220 ~ 240V, 50Hz
----------	------------------

(7) Version

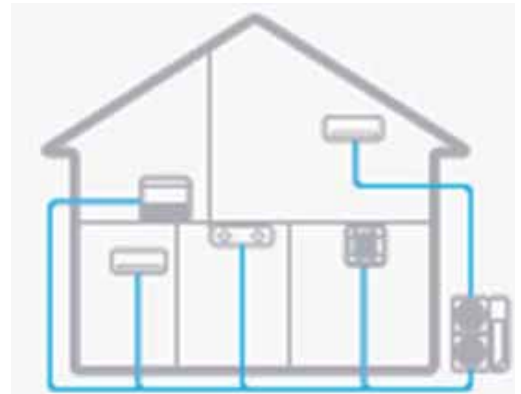
<b>A ~ Z</b>	Export
--------------	--------

# Features & Benefits

---

## Universal Connection

A single outdoor unit supporting up to five indoor units, the FJM system is ideal for residential spaces with multiple rooms to increase space efficiency.



## Digital Inverter 8-Pole technology

The outdoor unit applying Inverter 8-Pole technology. As a result, the efficiency is better than existing models.

AJ040M\*, AJ050M\*, AJ052M\*



## Setting to Cool or Heat only mode

This function enables the indoor units connected to the outdoor unit to operate in a specific mode. When you want to operate all indoor units with the cooling mode or heating mode.

## Auto addressing & Auto pipe inspection

It can automatically set the address of the indoor unit and inspect pipes with one push of the button. Installation is very simple.

## Samsung Smart Home

Control the FJM with only one application. This feature is optional to the several models





# Contents

---







































1. Line-up	10
2. Specification	12
3. Electrics Characteristics	38
4. Combination Table	39
5. Dimensional Drawing	55
6. Center of Gravity	76
7. Electrical Wiring Diagram	82
8. Sound Data	92
9. Fan Characteristics (PQ curve)	117
10. Operation Range	119
11. Piping Diagram	120
12. Capacity Table	123
13. Installation	349
14. Accessory	355

# 1. Line-up

## 1-1. Outdoor units

















Capacity	4 / 5 kW	5.2 kW	6.8 / 7 / 8 kW	10 kW
Image				
Model	AJ040MCJ2EH/EU AJ050MCJ2EH/EU	AJ052MCJ3EH/EU	AJ068MCJ3EH/EU AJ070MCJ4EH/EU AJ080MCJ4EH/EU	AJ100MCJ5EH/EU

## 1-2. Indoor units

Capacity Type	1.6 kW	2.0 kW	2.6 kW (2.5, 2.7kW)	3.5 kW	5.2 kW (5.0 kW)	6.8 kW
AR9570 (A3050 Best)						
AR7580 (A3050 Better)						
AR5580 AR5680 (A3050 Good1,2)						
Maldives						
New Boracay						
Wind-Free						
1Way Cassette						
4Way Cassette (600x600)						
Slim Duct						
MSP Duct						
Console						

# 1. Line-up

## 1-3. Combination Table (Outdoor-Indoor)

Indoor Unit \ Outdoor Unit		Model							
			AJ040MCJ2EH	AJ050MCJ2EH	AJ052MCJ3EH	AJ068MCJ3EH	AJ070MCJ4EH	AJ080MCJ4EH	AJ100MCJ5EH
Model		Capacity (kW)	4.0	5.0	5.2	6.0	7.0	8.0	10.0
 AR9570	AR**JSPFBWKN**	2.5	●	●	●	●	●	●	●
		3.5	●	●	●	●	●	●	●
 AR7580 AR5580 AR5680	AR**SPDBWKN** AR**SWS**N** AR**SWNAWKN**	2.0	●	●	●	●	●	●	●
		2.5 (2.7)	●	●	●	●	●	●	●
		3.5	●	●	●	●	●	●	●
 Maldives New Boracay	AR**MSFPEWQN** AR**MSFHBWKN**	5.0	X	●	●	●	●	●	●
		6.8	X	X	X	X	X	●	●
 Wind-Free	AR**MSPX**N**	2.0	●	●	●	●	●	●	●
		2.5	●	●	●	●	●	●	●
		3.5	●	●	●	●	●	●	●
 1Way Cassette	MH**FSEA	2.6	●	●	●	●	●	●	●
		3.5	●	●	●	●	●	●	●
 4Way Cassette (600x600)	AJN**NDEHA**	1.6	X	●	●	●	●	●	●
		2.0	X	●	●	●	●	●	●
		2.6	X	●	●	●	●	●	●
		3.5	X	●	●	●	●	●	●
		5.2	X	X	X	●	●	●	●
 Slim Duct	NJ**LHXEA	2.6	X	●	●	●	●	●	●
		3.5	X	●	●	●	●	●	●
 MSP Duct	MH**FUEA	5.2	X	X	X	●	●	●	●
 Console	MH**FJEA	2.6	●	●	●	●	●	●	●
		3.5	●	●	●	●	●	●	●
		5.2	X	●	●	●	●	●	●

## 2. Specification

### 2-1. Outdoor units

Type				Free Joint Multi	Free Joint Multi	Free Joint Multi	
Model Name				AJ040MCJ2EH/EU	AJ050MCJ2EH/EU	AJ052MCJ3EH/EU	
Power Supply			Φ, #, V, Hz	1,2,220-240,50	1,2,220-240,50	1,2,220-240,50	
Mode				-	HEAT PUMP	HEAT PUMP	
Performance	Capacity	Cooling	kW	4.0	5.0	5.2	
			Btu/h	13,600	17,100	17,700	
		Heating	kW	4.4	5.7	6.3	
			Btu/h	15,000	19,400	21,500	
Power	Power Input	Cooling	kW	1.02	1.32	1.35	
				Heating	0.99	1.35	1.40
	Current Input	Cooling	A	4.7	6.0	6.2	
				Heating	4.5	6.2	6.4
	Current	MCA	A	9.80	11.80	12.20	
		MFA	A	11.25	13.75	13.75	
COP	Cooling		W/W	3.92	3.79	3.85	
	Heating		W/W	4.44	4.22	4.50	
	SEER (Grade)		W/W	6.80	6.40	6.40	
	SCOP (Grade)		W/W	4.30	4.01	4.00	
Casing	Material	Cabinet	-	GI steel plate	GI steel plate	GI steel plate	
		Base	-	GI steel plate	GI steel plate	GI steel plate	
Heat exchanger	Type		-	Fin & Tube	Fin & Tube	Fin & Tube	
	Material	Fin	-	Al	Al	Al	
		Tube	-	Cu	Cu	Cu	
	Fin Treatment		-	Anti-corrosion	Anti-corrosion	Anti-corrosion	
Compressor	Type		-	Single BLDC Rotary Inverter	Twin BLDC Rotary Inverter	Twin BLDC Rotary Inverter	
	Output		kW x n	2.696 x 1	4.572 x 1	4.572 x 1	
	Model Name		-	UG9AJ1090FJR	UG9TK3150FE4	UG9TK3150FE4	
	Oil	Type	-	POE	POE	POE	
		Initial Charge	cc	320	500	500	
Fan	Type		-	Propeller Fan	Propeller Fan	Propeller Fan	
	Discharge direction		-	Horizontal	Horizontal	Horizontal	
	Quantity		EA	1	1	1	
	Air Flow Rate		CMM	29.7	33.1	38.0	
			l/s	494	551	633	
	External Static Pressure	Max.	mmAq	-	-	-	
Pa			-	-	-		
Fan Motor	Model		-	BLDC	BLDC	BLDC	
	Output x n		W	40 x 1	40 x 1	40 x 1	
Piping Connections	Liquid Pipe		Type	Flare connection	Flare connection	Flare connection	
			Φ, mm x EA	6.35 x 2	6.35 x 2	6.35 x 3	
			Φ, inch x EA	1/4" x 2	1/4" x 2	1/4" x 3	
	Gas Pipe		Type	Flare connection	Flare connection	Flare connection	
			Φ, mm x EA	9.52 x 2	9.52 x 1 + 12.7 x 1	9.52 x 2 + 12.7 x 1	
			Φ, inch x EA	3/8" x 2	3/8" x 1 + 1/2" x 1	3/8" x 2 + 1/2" x 1	
	Heat insulation			Both liquid and gas pipes	Both liquid and gas pipes	Both liquid and gas pipes	
	Installation Limitation	Max. Length	Total	m	30	30	50
			OD-ID	m	20	20	20
Max. Height		OD-ID	m	15	15	15	
		ID-ID	m	7.5	7.5	7.5	
Wiring connections	Communication	Minimum	mm2	0.75	0.75	0.75	
		Remark	-	F1,F2	F1,F2	F1,F2	

## 2. Specification

### 2-1. Outdoor units

Type			Free Joint Multi	Free Joint Multi	Free Joint Multi
Model Name			AJ040MCJ2EH/EU	AJ050MCJ2EH/EU	AJ052MCJ3EH/EU
Refrigerant	Type	-	R410A	R410A	R410A
	Factory Charging	kg	1.2	1.6	1.9
		tCO <sub>2</sub> e		2.51	3.34
Sound	Sound Pressure	Cooling	45	46	46
		Heating	47	47	47
	Sound Power		61	61	61
External Dimension	Net Weight	kg	31.0	36.4	44.0
	Shipping Weight	kg	34.0	39.4	48.0
	Net Dimensions (WxHxD)	mm	790 × 548 × 285	790 × 548 × 285	880 × 638 × 310
	Shipping Dimensions (WxHxD)	mm	926 × 640 × 384	926 × 640 × 384	1,053 × 721 × 413
Operating Temp. Range	Cooling	°C	-5 ~ 46	-5 ~ 46	-5 ~ 46
	Heating	°C	-15 ~ 24	-15 ~ 24	-15 ~ 24
Maximum number of connectable Indoor Units		EA	2	2	3

#### NOTE

- Specifications may be subject to change without prior notice.
- Capacities are based on (Equivalent refrigerant piping : 5m, Level differences : 0m)
  - Cooling : Indoor temperature : 27°C DB, 19°C WB / Outdoor temperature : 35°C DB, 24°C WB
  - Heating : Indoor temperature : 20°C DB, 15°C WB / Outdoor temperature : 7°C DB, 6°C WB
- Select wire size based on the value of MCA
- Sound pressure level is obtained in an anechoic room.
  - Sound pressure level is a relative value, depending on the distance and acoustic environment.
  - Sound pressure level may differ depending on operation condition.
  - dBA = A-weighted sound pressure level
  - Reference acoustic pressure 0 dB = 20uPa
- Sound power level is an absolute value that a sound source generates.
  - dBA = A-weighted sound power level
  - Reference power : 1pW
  - Measured according to ISO 3741
- These products contain R410A (GWP=2,088) which is fluorinated greenhouse gas.

## 2. Specification

### 2-1. Outdoor units

Type				Free Joint Multi	Free Joint Multi	Free Joint Multi	Free Joint Multi
Model Name				AJ068MCJ3EH/EU	AJ070MCJ4EH/EU	AJ080MCJ4EH/EU	AJ100MCJ5EH/EU
Power Supply			Φ, #, V, Hz	1,2,220-240,50	1,2,220-240,50	1,2,220-240,50	1,2,220-240,50
Mode				-	HEAT PUMP	HEAT PUMP	HEAT PUMP
Performance	Capacity	Cooling	kW	6.8	7.0	8.0	10.0
			Btu/h	23,200	23,900	27,300	34,100
		Heating	kW	8.0	8.6	9.3	12.0
			Btu/h	27,300	29,300	31,700	40,900
Power	Power Input	Cooling	kW	2.00	1.90	2.30	2.90
		Heating		1.91	2.00	2.20	2.93
	Current Input	Cooling	A	9.2	8.7	10.5	13.3
		Heating		8.7	9.2	10.1	13.4
	Current	MCA	A	15.50	18.70	18.70	26.20
		MFA	A	17.50	20.75	20.75	28.80
COP	Cooling		W/W	3.40	3.68	3.68	3.45
	Heating		W/W	4.19	4.30	4.30	4.10
	SEER (Grade)		W/W	6.10	5.60	5.30	6.10
	SCOP (Grade)		W/W	4.00	3.80	3.80	4.00
Casing	Material	Cabinet	-	EGI steel plate	EGI steel plate	EGI steel plate	GL steel plate
		Base	-	GI steel plate	GI steel plate	GI steel plate	EGI steel plate
Heat exchanger	Type		-	Fin & Tube	Fin & Tube	Fin & Tube	Fin & Tube
	Material	Fin	-	Al	Al	Al	Al
		Tube	-	Cu	Cu	Cu	Cu
Fin Treatment		-	Anti-corrosion	Anti-corrosion	Anti-corrosion	Anti-corrosion	
Compressor	Type		-	Twin BLDC Rotary Inverter	Twin BLDC Rotary Inverter	Twin BLDC Rotary Inverter	Twin BLDC Rotary Inverter
	Output		kW x n	5.919 x 1	7.766 x 1	7.766 x 1	9.171 x 1
	Model Name		-	UG4T200FUAE4	G8T260FUAEW-SS	G8T260FUAEW-SS	UG8T300FUBJUSG
	Oil	Type	-	POE	POE	POE	PVE
Initial Charge		cc	650	650	700	1200	
Fan	Type		-	Propeller Fan	Propeller Fan	Propeller Fan	Propeller Fan
	Discharge direction		-	Horizontal	Horizontal	Horizontal	Horizontal
	Quantity		EA	1	1	1	1
	Air Flow Rate		CMM	47.5	44.8	45.4	70.6
			l/s	792	747	757	1176
	External Static Pressure	Max.	mmAq	-	-	-	-
Pa			-	-	-	-	
Fan Motor	Model		-	BLDC	BLDC	BLDC	BLDC
	Output x n		W	124 x 1	124 x 1	124 x 1	125 x 1
Piping Connections	Liquid Pipe		Type	Flare connection	Flare connection	Flare connection	Flare connection
			Φ, mm x EA	6.35 x 3	6.35 x 4	6.35 x 4	6.35 x 5
			Φ, inch x EA	1/4" x 3	1/4" x 4	1/4" x 4	1/4" x 5
	Gas Pipe		Type	Flare connection	Flare connection	Flare connection	Flare connection
			Φ, mm x EA	9.52 x 1 + 12.7 x 2	9.52 x 2 + 12.7 x 2	9.52 x 2 + 12.7 x 2	9.52 x 2 + 12.7 x 3
			Φ, inch x EA	3/8" x 1 + 1/2" x 2	3/8" x 2 + 1/2" x 2	3/8" x 2 + 1/2" x 2	3/8" x 2 + 1/2" x 3
	Heat insulation			Both liquid and gas pipes	Both liquid and gas pipes	Both liquid and gas pipes	Both liquid and gas pipes
	Installation Limitation	Max. Length	Total	m	50	70	70
OD-ID			m	20	25	25	25
Max. Height		OD-ID	m	15	15	15	15
	ID-ID	m	7.5	7.5	7.5	7.5	
Wiring connections	Communication	Minimum	mm2	0.75	0.75	0.75	0.75
		Remark	-	F1,F2	F1,F2	F1,F2	F1,F2

## 2. Specification

### 2-1. Outdoor units

Type			Free Joint Multi	Free Joint Multi	Free Joint Multi	Free Joint Multi
Model Name			AJ068MCJ3EH/EU	AJ070MCJ4EH/EU	AJ080MCJ4EH/EU	AJ100MCJ5EH/EU
Refrigerant	Type	-	R410A	R410A	R410A	R410A
	Factory Charging	kg	2.2	2.8	2.8	3.3
		tCO <sub>2</sub> e		4.59	5.85	5.85
Sound	Sound Pressure	Cooling	48	48	49	54
		Heating	49	49	50	56
	Sound Power		64	64	64	70
External Dimension	Net Weight	kg	55.6	62.0	62.0	77.0
	Shipping Weight	kg	59.6	67.0	67.0	82.5
	Net Dimensions (WxHxD)	mm	880 x 793 x 310	880 x 793 x 310	880 x 793 x 310	940 x 998 x 330
	Shipping Dimensions (WxHxD)	mm	1,023 x 911 x 413	1,023 x 911 x 413	1,023 x 911 x 413	995 x 1,096 x 426
Operating Temp. Range	Cooling	°C	-5 ~ 46	-5 ~ 46	-5 ~ 46	-10 ~ 46
	Heating	°C	-15 ~ 24	-15 ~ 24	-15 ~ 24	-15 ~ 24
Maximum number of connectable Indoor Units		EA	3	4	4	5

#### NOTE

- Specifications may be subject to change without prior notice.
- Capacities are based on (Equivalent refrigerant piping : 5m, Level differences : 0m)
  - Cooling : Indoor temperature : 27°C DB, 19°C WB / Outdoor temperature : 35°C DB, 24°C WB
  - Heating : Indoor temperature : 20°C DB, 15°C WB / Outdoor temperature : 7°C DB, 6°C WB
- Select wire size based on the value of MCA
- Sound pressure level is obtained in an anechoic room.
  - Sound pressure level is a relative value, depending on the distance and acoustic environment.
  - Sound pressure level may differ depending on operation condition.
  - dBA = A-weighted sound pressure level
  - Reference acoustic pressure 0 dB = 20uPa
- Sound power level is an absolute value that a sound source generates.
  - dBA = A-weighted sound power level
  - Reference power : 1pW
  - Measured according to ISO 3741
- These products contain R410A (GWP=2,088) which is fluorinated greenhouse gas.

## 2. Specification

### 2-2. Indoor Units

#### Wall Mounted Type - AR9570 (A3050 Best)

Type				A3050 Best	A3050 Best
Model Name				AR09JSPFBWKNEU	AR12JSPFBWKNEU
Power Supply			Φ, #, V, Hz	1, 2, 220-240, 50	1, 2, 220-240, 50
Mode				HEAT PUMP	HEAT PUMP
Performance	Capacity	Cooling	kW	2.5	3.5
			Btu/h	8,500	11,900
		Heating	kW	3.2	4.0
			Btu/h	10,900	13,600
Power	Power Input	Cooling	W	30	30
		Heating		30	30
	Current Input	Cooling	A	0.3	0.3
		Heating		0.3	0.3
Heat exchanger	Type		-	Fin & Tube	Fin & Tube
	Material	Fin	-	Al	Al
		Tube	-	Cu	Cu
	Fin Treatment		-	Green Hydrophile	Green Hydrophile
Fan	Type		-	Cross flow Fan	Cross flow Fan
	Quantity		EA	1	1
	Air Flow Rate	H/M/L	m <sup>3</sup> /min	11.0	11.0
			l/s	183	183
	External Static pressur	Max. (Min/Std/Max)	mmAq	-	-
Pa			-	-	
Fan Motor	Type		-	BLDC Motor	BLDC Motor
	Output x n		W	27 x 1	27 x 1
Piping Connections	Liquid Pipe	Type		Flare connection	Flare connection
		Φ,mm	6.35	6.35	
		Φ, inch	1/4"	1/4"	
	Gas Pipe	Type		Flare connection	Flare connection
		Φ,mm	9.52	9.52	
		Φ, inch	3/8"	3/8"	
	Heat Insulation		-	Both liquid and gas pipes	Both liquid and gas pipes
Drain Pipe		Φ,mm	ID18mm Hose	ID18mm Hose	
Wiring connections	For power supply	Minimum	mm <sup>2</sup>	1.5	1.5
	For connection with indoor	Minimum	mm <sup>2</sup>	0.75	0.75
		Remark	-	F1, F2	F1, F2
Refrigerant	Type		-	R410A	R410A
	Electronic Expansion Valve		-	EEV NOT INCLUDED	EEV NOT INCLUDED
Sound	Sound Pressure	High / Mid / Low	dB(A)	38 / 29 / 19	40 / 30 / 19
	Sound Power	Cooling		57	59
Dimensions	Net Weight		kg	12.0	12.0
	Shipping Weight		kg	14.5	14.5
	Net Dimensions (WxHxD)		mm	936 x 267 x 264	936 x 267 x 264
	Shipping Dimensions (WxHxD)		mm	1,020 x 326 x 345	1,020 x 326 x 345
Casing	Material		-	HIPS	HIPS
Additional Accessories	Air Filter		-	Removable / Washable	Removable / Washable



# 2. Specification

## 2-2. Indoor Units

### Wall Mounted Type - AR7580 (A3050 Better)

Type				A3050 Better	A3050 Better	A3050 Better
Model Name				AR07KSPDBWKNEU	AR09KSPDBWKNEU	AR12KSPDBWKNEU
Power Supply			Φ, #, V, Hz	1, 2, 220-240, 50	1, 2, 220-240, 50	1, 2, 220-240, 50
Mode			-	HEAT PUMP	HEAT PUMP	HEAT PUMP
Performance	Capacity	Cooling	kW	2.0	2.5	3.5
			Btu/h	6,800	8,500	11,900
		Heating	kW	2.2	3.2	4.0
			Btu/h	7,500	10,900	13,600
Power	Power Input	Cooling	W	30	30	30
		Heating		30	30	30
	Current Input	Cooling	A	0.3	0.3	0.3
		Heating		0.3	0.3	0.3
Heat exchanger	Type		-	Fin & Tube	Fin & Tube	Fin & Tube
	Material	Fin	-	Al	Al	Al
		Tube	-	Cu	Cu	Cu
	Fin Treatment		-	Green Hydrophile	Green Hydrophile	Green Hydrophile
Fan	Type		-	Cross flow Fan	Cross flow Fan	Cross flow Fan
	Quantity		EA	1	1	1
	Air Flow Rate	H/M/L	m <sup>3</sup> /min	10.0	11.0	12.0
			l/s	167	183	200
	External Static pressur	Max. (Min/Std/Max)	mmAq	-	-	-
Pa			-	-	-	
Fan Motor	Type		-	BLDC Motor	BLDC Motor	BLDC Motor
	Output x n		W	27 x 1	27 x 1	27 x 1
Piping Connections	Liquid Pipe	Type		Flare connection	Flare connection	Flare connection
		Φ,mm		6.35	6.35	6.35
		Φ, inch		1/4"	1/4"	1/4"
	Gas Pipe	Type		Flare connection	Flare connection	Flare connection
		Φ,mm		9.52	9.52	9.52
		Φ, inch		3/8"	3/8"	3/8"
Heat Insulation		-	Both liquid and gas pipes	Both liquid and gas pipes	Both liquid and gas pipes	
Drain Pipe		Φ,mm	ID18mm Hose	ID18mm Hose	ID18mm Hose	
Wiring connections	For power supply	Minimum	mm <sup>2</sup>	1.5	1.5	1.5
	For connection with indoor	Minimum	mm <sup>2</sup>	0.75	0.75	0.75
		Remark	-		F1, F2	F1, F2
Refrigerant	Type		-	R410A	R410A	R410A
	Electronic Expansion Valve		-	EEV NOT INCLUDED	EEV NOT INCLUDED	EEV NOT INCLUDED
Sound	Sound Pressure	High / Mid / Low	dB(A)	38 / 29 / 19	38 / 29 / 19	40 / 30 / 19
	Sound Power	Cooling		56	56	58
Dimensions	Net Weight		kg	10.2	10.2	10.2
	Shipping Weight		kg	12.5	12.5	12.5
	Net Dimensions (WxHxD)		mm	826 x 261 x 261	826 x 261 x 261	826 x 261 x 261
	Shipping Dimensions (WxHxD)		mm	886 x 317 x 335	886 x 317 x 335	886 x 317 x 335
Casing	Material		-	HIPS	HIPS	HIPS
Additional Accessories	Air Filter		-	Removable / Washable	Removable / Washable	Removable / Washable

## 2. Specification

### 2-2. Indoor Units

#### Wall Mounted Type - AR7580 (A3050 Better)

Type				A3050 Better	A3050 Better
Model Name				AR18MSPDBWKNEU	AR24MSPDBWKNEU
Power Supply			Φ, #, V, Hz	1, 2, 220-240, 50	1, 2, 220-240, 50
Mode				HEAT PUMP	HEAT PUMP
Performance	Capacity	Cooling	kW	5.0	6.8
			Btu/h	17,100	23,200
		Heating	kW	6.0	8.0
			Btu/h	20,500	27,300
Power	Power Input	Cooling	W	50	50
		Heating		50	50
	Current Input	Cooling	A	0.4	0.4
		Heating		0.4	0.4
Heat exchanger	Type		-	Fin & Tube	Fin & Tube
	Material	Fin	-	Al	Al
		Tube	-	Cu	Cu
	Fin Treatment		-	Green Hydrophile	Green Hydrophile
Fan	Type		-	Cross flow Fan	Cross flow Fan
	Quantity		EA	1	1
	Air Flow Rate	H/M/L	m <sup>3</sup> /min	19.0	19.0
			l/s	317	317
	External Static pressur	Max. (Min/Std/Max)	mmAq	-	-
Pa			-	-	
Fan Motor	Type		-	BLDC Motor	BLDC Motor
	Output x n		W	27 x 1	27 x 1
Piping Connections	Liquid Pipe	Type		Flare connection	Flare connection
		Φ,mm	6.35	6.35	
		Φ, inch	1/4"	1/4"	
	Gas Pipe	Type		Flare connection	Flare connection
		Φ,mm	12.7	15.88	
		Φ, inch	1/2"	5/8"	
Heat Insulation		-	Both liquid and gas pipes	Both liquid and gas pipes	
Drain Pipe		Φ,mm	ID18mm Hose	ID18mm Hose	
Wiring connections	For power supply	Minimum	mm <sup>2</sup>	1.5	1.5
	For connection with indoor	Minimum	mm <sup>2</sup>	0.75	0.75
		Remark	-	F1, F2	F1, F2
Refrigerant	Type		-	R410A	R410A
	Electronic Expansion Valve		-	EEV NOT INCLUDED	EEV NOT INCLUDED
Sound	Sound Pressure	High / Mid / Low	dB(A)	42 / 30 / 25	43 / 34 / 26
	Sound Power	Cooling		58	62
Dimensions	Net Weight		kg	14.6	14.6
	Shipping Weight		kg	17.6	17.6
	Net Dimensions (WxHxD)		mm	1,065 x 301 x 294	1,065 x 301 x 294
	Shipping Dimensions (WxHxD)		mm	1,123 x 354 x 384	1,123 x 354 x 384
Casing	Material		-	HIPS	HIPS
Additional Accessories	Air Filter		-	Removable / Washable	Removable / Washable

# 2. Specification

## 2-2. Indoor Units

### Wall Mounted Type - AR5580 (A3050 Good1)

Type				A3050 Good1	A3050 Good1	A3050 Good1
Model Name				AR07MSWSAURNEU	AR09MSWSAURNEU	AR09KSWSBWKNET
Power Supply			Φ, #, V, Hz	1, 2, 220-240, 50	1, 2, 220-240, 50	1, 2, 220-240, 50
Mode				-	HEAT PUMP	HEAT PUMP
Performance	Capacity	Cooling	kW	2.0	2.5	2.5
			Btu/h	6,800	8,500	8,500
		Heating	kW	2.2	3.2	3.2
			Btu/h	7,500	10,900	10,900
Power	Power Input	Cooling	W	30	30	30
		Heating		30	30	30
	Current Input	Cooling	A	0.3	0.3	0.3
		Heating		0.3	0.3	0.3
Heat exchanger	Type		-	Fin & Tube	Fin & Tube	Fin & Tube
	Material	Fin	-	Al	Al	Al
		Tube	-	Cu	Cu	Cu
	Fin Treatment		-	Green Hydrophile	Green Hydrophile	Green Hydrophile
Fan	Type		-	Cross flow Fan	Cross flow Fan	Cross flow Fan
	Quantity		EA	1	1	1
	Air Flow Rate	H/M/L	m <sup>3</sup> /min	10.0	11.0	11.0
			l/s	167	183	183
	External Static pressur	Max. (Min/Std/Max)	mmAq	-	-	-
Pa			-	-	-	
Fan Motor	Type		-	BLDC Motor	BLDC Motor	BLDC Motor
	Output x n		W	27 x 1	27 x 1	27 x 1
Piping Connections	Liquid Pipe	Type		Flare connection	Flare connection	Flare connection
		Φ,mm		6.35	6.35	6.35
		Φ, inch		1/4"	1/4"	1/4"
	Gas Pipe	Type		Flare connection	Flare connection	Flare connection
		Φ,mm		9.52	9.52	9.52
		Φ, inch		3/8"	3/8"	3/8"
Heat Insulation		-	Both liquid and gas pipes	Both liquid and gas pipes	Both liquid and gas pipes	
Drain Pipe		Φ,mm	ID18mm Hose	ID18mm Hose	ID18mm Hose	
Wiring connections	For power supply	Minimum	mm <sup>2</sup>	1.5	1.5	1.5
	For connection with indoor	Minimum	mm <sup>2</sup>	0.75	0.75	0.75
		Remark	-		F1, F2	F1, F2
Refrigerant	Type		-	R410A	R410A	R410A
	Electronic Expansion Valve		-	EEV NOT INCLUDED	EEV NOT INCLUDED	EEV NOT INCLUDED
Sound	Sound Pressure	High / Mid / Low	dB(A)	37 / 27 / 22	37 / 27 / 22	37 / 27 / 22
	Sound Power	Cooling		54	54	54
Dimensions	Net Weight		kg	9.6	9.6	9.6
	Shipping Weight		kg	12.0	12.0	11.6
	Net Dimensions (WxHxD)		mm	826 x 261 x 261	826 x 261 x 261	826 x 261 x 261
	Shipping Dimensions (WxHxD)		mm	886 x 317 x 335	886 x 317 x 335	886 x 317 x 335
Casing	Material		-	HIPS	HIPS	HIPS
Additional Accessories	Air Filter		-	Removable / Washable	Removable / Washable	Removable / Washable

## 2. Specification

### 2-2. Indoor Units

#### Wall Mounted Type - AR5580 (A3050 Good1)

Type				A3050 Good1	A3050 Good1	A3050 Good1	A3050 Good1
Model Name				AR12MSWSAURNEU	AR12KSWSBWKNET	AR18MSWSAWKNEU	AR24MSWSAWKNEU
Power Supply			Φ, #, V, Hz	1, 2, 220-240, 50	1, 2, 220-240, 50	1, 2, 220-240, 50	1, 2, 220-240, 50
Mode				-	HEAT PUMP	HEAT PUMP	HEAT PUMP
Performance	Capacity	Cooling	kW	3.5	3.5	5.0	6.8
			Btu/h	11,900	11,900	17,100	23,200
		Heating	kW	3.8	3.8	6.0	7.8
			Btu/h	13,000	13,000	20,500	26,600
Power	Power Input	Cooling	W	30	30	50	50
		Heating		30	30	50	50
	Current Input	Cooling	A	0.3	0.3	0.4	0.4
		Heating		0.3	0.3	0.4	0.4
Heat exchanger	Type		-	Fin & Tube	Fin & Tube	Fin & Tube	Fin & Tube
	Material	Fin	-	Al	Al	Al	Al
		Tube	-	Cu	Cu	Cu	Cu
	Fin Treatment			-	Green Hydrophile	Green Hydrophile	Green Hydrophile
Fan	Type		-	Cross flow Fan	Cross flow Fan	Cross flow Fan	Cross flow Fan
	Quantity		EA	1	1	1	1
	Air Flow Rate	H/M/L	m <sup>3</sup> /min	12.0	12.0	19.0	21.0
			l/s	200	200	317	350
	External Static pressur	Max. (Min/Std/Max)	mmAq	-	-	-	-
Pa			-	-	-	-	
Fan Motor	Type		-	BLDC Motor	BLDC Motor	BLDC Motor	BLDC Motor
	Output x n		W	27 x 1	27 x 1	27 x 1	27 x 1
Piping Connections	Liquid Pipe	Type		Flare connection	Flare connection	Flare connection	Flare connection
		Φ,mm		6.35	6.35	6.35	6.35
		Φ, inch		1/4"	1/4"	1/4"	1/4"
	Gas Pipe	Type		Flare connection	Flare connection	Flare connection	Flare connection
		Φ,mm		9.52	9.52	12.7	15.88
		Φ, inch		3/8"	3/8"	1/2"	5/8"
Heat Insulation			-	Both liquid and gas pipes	Both liquid and gas pipes	Both liquid and gas pipes	Both liquid and gas pipes
Drain Pipe		Φ,mm	ID18mm Hose	ID18mm Hose	ID18mm Hose	ID18mm Hose	
Wiring connections	For power supply	Minimum	mm <sup>2</sup>	1.5	1.5	1.5	1.5
	For connection with indoor	Minimum	mm <sup>2</sup>	0.75	0.75	0.75	0.75
		Remark	-	F1, F2	F1, F2	F1, F2	F1, F2
Refrigerant	Type		-	R410A	R410A	R410A	R410A
	Electronic Expansion Valve		-	EEV NOT INCLUDED	EEV NOT INCLUDED	EEV NOT INCLUDED	EEV NOT INCLUDED
Sound	Sound Pressure	High / Mid / Low	dB(A)	38 / 28 / 22	38 / 28 / 22	41 / 32 / 25	43 / 34 / 26
	Sound Power	Cooling		56	56	58	62
Dimensions	Net Weight		kg	9.6	9.6	13.4	13.4
	Shipping Weight		kg	12.0	11.6	16.4	16.4
	Net Dimensions (WxHxD)		mm	826 x 261 x 261	826 x 261 x 261	1,065 x 301 x 294	1,065 x 301 x 294
	Shipping Dimensions (WxHxD)		mm	886 x 317 x 335	886 x 317 x 335	1,123 x 354 x 384	1,123 x 354 x 384
Casing	Material		-	HIPS	HIPS	HIPS	HIPS
Additional Accessories	Air Filter		-	Removable / Washable	Removable / Washable	Removable / Washable	Removable / Washable

# 2. Specification

## 2-2. Indoor Units

### Wall Mounted Type - AR5680 (A3050 Good2)

Type				A3050 Good2	A3050 Good2
Model Name				AR07KSWNAWKNEU	AR09KSWNAWKNET
Power Supply			Φ, #, V, Hz	1, 2, 220-240, 50	1, 2, 220-240, 50
Mode				HEAT PUMP	HEAT PUMP
Performance	Capacity	Cooling	kW	2.0	2.5
			Btu/h	6,800	8,500
		Heating	kW	2.2	3.2
			Btu/h	7,500	10,900
Power	Power Input	Cooling	W	30	30
		Heating		30	30
	Current Input	Cooling	A	0.3	0.3
		Heating		0.3	0.3
Heat exchanger	Type		-	Fin & Tube	Fin & Tube
	Material	Fin	-	Al	Al
		Tube	-	Cu	Cu
	Fin Treatment		-	Green Hydrophile	Green Hydrophile
Fan	Type		-	Cross flow Fan	Cross flow Fan
	Quantity		EA	1	1
	Air Flow Rate	H/M/L	m <sup>3</sup> /min	10.0	11.0
			l/s	167	183
	External Static pressur	Max. (Min/Std/Max)	mmAq	-	-
Pa			-	-	
Fan Motor	Type		-	BLDC Motor	BLDC Motor
	Output x n		W	27 x 1	27 x 1
Piping Connections	Liquid Pipe	Type		Flare connection	Flare connection
		Φ,mm		6.35	6.35
		Φ, inch		1/4"	1/4"
	Gas Pipe	Type		Flare connection	Flare connection
		Φ,mm		9.52	9.52
		Φ, inch		3/8"	3/8"
	Heat Insulation		-	Both liquid and gas pipes	Both liquid and gas pipes
Drain Pipe		Φ,mm	ID18mm Hose	ID18mm Hose	
Wiring connections	For power supply	Minimum	mm <sup>2</sup>	1.5	1.5
	For connection with indoor	Minimum	mm <sup>2</sup>	0.75	0.75
		Remark	-		F1, F2
Refrigerant	Type		-	R410A	R410A
	Electronic Expansion Valve		-	EEV NOT INCLUDED	EEV NOT INCLUDED
Sound	Sound Pressure	High / Mid / Low	dB(A)	37 / 27 / 22	37 / 27 / 22
	Sound Power	Cooling		54	54
Dimensions	Net Weight		kg	9.5	9.5
	Shipping Weight		kg	11.3	11.3
	Net Dimensions (WxHxD)		mm	826 x 261 x 261	826 x 261 x 261
	Shipping Dimensions (WxHxD)		mm	886 x 317 x 335	886 x 317 x 335
Casing	Material		-	HIPS	HIPS
Additional Accessories	Air Filter		-	Removable / Washable	Removable / Washable

# 2. Specification

## 2-2. Indoor Units

### Wall Mounted Type - AR5680 (A3050 Good2)

Type				A3050 Good2	A3050 Good2	A3050 Good2
Model Name				AR12KSWNAWKNET	AR18MSWNAWKNEU	AR24MSWNAWKNEU
Power Supply			Φ, #, V, Hz	1, 2, 220-240, 50	1, 2, 220-240, 50	1, 2, 220-240, 50
Mode				-	HEAT PUMP	HEAT PUMP
Performance	Capacity	Cooling	kW	3.5	5.0	6.8
			Btu/h	11,900	17,100	23,200
		Heating	kW	3.8	6.0	7.8
			Btu/h	13,000	20,500	26,600
Power	Power Input	Cooling	W	30	50	50
		Heating		30	50	50
	Current Input	Cooling	A	0.3	0.4	0.4
		Heating		0.3	0.4	0.4
Heat exchanger	Type		-	Fin & Tube	Fin & Tube	Fin & Tube
	Material	Fin	-	Al	Al	Al
		Tube	-	Cu	Cu	Cu
	Fin Treatment		-	Green Hydrophile	Green Hydrophile	Green Hydrophile
Fan	Type		-	Cross flow Fan	Cross flow Fan	Cross flow Fan
	Quantity		EA	1	1	1
	Air Flow Rate	H/M/L	m <sup>3</sup> /min	12.0	19.0	21.0
			l/s	200	317	350
	External Static pressur	Max. (Min/Std/Max)	mmAq	-	-	-
Pa			-	-	-	
Fan Motor	Type		-	BLDC Motor	BLDC Motor	BLDC Motor
	Output x n		W	27 x 1	27 x 1	27 x 1
Piping Connections	Liquid Pipe		Type	Flare connection	Flare connection	Flare connection
			Φ,mm	6.35	6.35	6.35
			Φ, inch	1/4"	1/4"	1/4"
	Gas Pipe		Type	Flare connection	Flare connection	Flare connection
			Φ,mm	9.52	12.7	15.88
			Φ, inch	3/8"	1/2"	5/8"
	Heat Insulation		-	Both liquid and gas pipes	Both liquid and gas pipes	Both liquid and gas pipes
Drain Pipe		Φ,mm	ID18mm Hose	ID18mm Hose	ID18mm Hose	
Wiring connections	For power supply	Minimum	mm2	1.5	1.5	1.5
	For connection with indoor	Minimum	mm2	0.75	0.75	0.75
		Remark	-	F1, F2	F1, F2	F1, F2
Refrigerant	Type		-	R410A	R410A	R410A
	Electronic Expansion Valve		-	EEV NOT INCLUDED	EEV NOT INCLUDED	EEV NOT INCLUDED
Sound	Sound Pressure	High / Mid / Low	dB(A)	38 / 28 / 22	41 / 32 / 25	43 / 34 / 26
	Sound Power	Cooling		56	58	62
Dimensions	Net Weight		kg	9.5	13.2	13.2
	Shipping Weight		kg	11.3	16.2	16.2
	Net Dimensions (WxHxD)		mm	826 x 261 x 261	1,065 x 301 x 294	1,065 x 301 x 294
	Shipping Dimensions (WxHxD)		mm	886 x 317 x 335	1,123 x 354 x 384	1,123 x 354 x 384
Casing	Material		-	HIPS	HIPS	HIPS
Additional Accessories	Air Filter		-	Removable / Washable	Removable / Washable	Removable / Washable

# 2. Specification

## 2-2. Indoor Units

### Wall Mounted Type - Maldives

Type				Maldives	Maldives	Maldives
Model Name				AR07MSFPEWQNEU	AR09MSFPEWQNEU	AR09MSFPEWQNET
Power Supply			Φ, #, V, Hz	1,2,220-240,50	1,2,220-240,50	1,2,220-240,50
Mode			-	HEAT PUMP	HEAT PUMP	HEAT PUMP
Performance	Capacity	Cooling	kW	2.0	2.7	2.7
			Btu/h	6,800	9,200	9,200
		Heating	kW	2.2	3.2	3.2
			Btu/h	7,500	10,900	10,900
Power	Power Input	Cooling	W	30	30	30
		Heating		30	30	30
	Current Input	Cooling	A	0.3	0.3	0.3
		Heating		0.3	0.3	0.3
Heat exchanger	Type		-	Fin & Tube	Fin & Tube	Fin & Tube
	Material	Fin	-	Al	Al	Al
		Tube	-	Cu	Cu	Cu
	Fin Treatment		-	Green Hydrophile	Green Hydrophile	Green Hydrophile
Fan	Type		-	Cross flow Fan	Cross flow Fan	Cross flow Fan
	Quantity		EA	1	1	1
	Air Flow Rate	H/M/L	m <sup>3</sup> /min	8.0	9.0	9.0
			l/s	133	150	150
	External Static pressur	Max. (Min/Std/Max)	mmAq	-	-	-
Pa			-	-	-	
Fan Motor	Type		-	BLDC Motor	BLDC Motor	BLDC Motor
	Output x n		W	27 x 1	27 x 1	27 x 1
Piping Connections	Liquid Pipe	Type		Flare connection	Flare connection	Flare connection
		Φ,mm		6.35	6.35	6.35
		Φ, inch		1/4"	1/4"	1/4"
	Gas Pipe	Type		Flare connection	Flare connection	Flare connection
		Φ,mm		9.52	9.52	9.52
		Φ, inch		3/8"	3/8"	3/8"
Heat Insulation		-	Both liquid and gas pipes	Both liquid and gas pipes	Both liquid and gas pipes	
Drain Pipe		Φ,mm	ID18mm Hose	ID18mm Hose	ID18mm Hose	
Wiring connections	For power supply	Minimum	mm <sup>2</sup>	1.5	1.5	1.5
	For connection with indoor	Minimum	mm <sup>2</sup>	0.75	0.75	0.75
		Remark	-		F1, F2	F1, F2
Refrigerant	Type		-	R410A	R410A	R410A
	Electronic Expansion Valve		-	EEV NOT INCLUDED	EEV NOT INCLUDED	EEV NOT INCLUDED
Sound	Sound Pressure	High / Mid / Low	dB(A)	38/28/21	38/28/21	38/28/21
	Sound Power	Cooling		56	56	56
Dimensions	Net Weight		kg	8.0	8.0	8.0
	Shipping Weight		kg	9.8	9.8	9.2
	Net Dimensions (WxHxD)		mm	820 x 285 x 215	820 x 285 x 215	820 x 285 x 215
	Shipping Dimensions (WxHxD)		mm	880 x 260 x 360	880 x 260 x 360	880 x 260 x 360
Casing	Material		-	HIPS	HIPS	HIPS
Additional Accessories	Air Filter		-	Removable / Washable	Removable / Washable	Removable / Washable

## 2. Specification

### 2-2. Indoor Units

#### Wall Mounted Type - Maldives

Type				Maldives	Maldives	Maldives	Maldives
Model Name				AR12MSFPEWQNEU	AR12MSFPEWQNET	AR18MSFPEWQNEU	AR24MSFPEWQNEU
Power Supply			Φ, #, V, Hz	1,2,220-240,50	1,2,220-240,50	1,2,220-240,50	1,2,220-240,50
Mode				-	HEAT PUMP	HEAT PUMP	HEAT PUMP
Performance	Capacity	Cooling	kW	3.5	3.5	5.0	6.8
			Btu/h	11,900	11,900	17,100	23,200
		Heating	kW	3.5	3.5	6.0	7.7
			Btu/h	11,900	11,900	20,500	26,300
Power	Power Input	Cooling	W	30	30	50	50
		Heating		30	30	50	50
	Current Input	Cooling	A	0.3	0.3	0.5	0.5
		Heating		0.3	0.3	0.5	0.5
Heat exchanger	Type		-	Fin & Tube	Fin & Tube	Fin & Tube	Fin & Tube
	Material	Fin	-	Al	Al	Al	Al
		Tube	-	Cu	Cu	Cu	Cu
	Fin Treatment			-	Green Hydrophile	Green Hydrophile	Green Hydrophile
Fan	Type		-	Cross flow Fan	Cross flow Fan	Cross flow Fan	Cross flow Fan
	Quantity		EA	1	1	1	1
	Air Flow Rate	H/M/L	m <sup>3</sup> /min	10.0	10.0	14.2 / 12.3 / 11.2	17.8 / 14.3 / 10.6
			l/s	167	167	237 / 205 / 187	297 / 238 / 177
	External Static pressur	Max. (Min/Std/Max)	mmAq	-	-	-	-
Pa			-	-	-	-	
Fan Motor	Type		-	BLDC Motor	BLDC Motor	BLDC Motor	BLDC Motor
	Output x n		W	27 x 1	27 x 1	27 x 1	27 x 1
Piping Connections	Liquid Pipe	Type		Flare connection	Flare connection	Flare connection	Flare connection
		Φ,mm		6.35	6.35	6.35	6.35
		Φ, inch		1/4"	1/4"	1/4"	1/4"
	Gas Pipe	Type		Flare connection	Flare connection	Flare connection	Flare connection
		Φ,mm		9.52	9.52	12.7	15.88
		Φ, inch		3/8"	3/8"	1/2"	5/8"
	Heat Insulation			-	Both liquid and gas pipes	Both liquid and gas pipes	Both liquid and gas pipes
Drain Pipe			Φ,mm	ID18mm Hose	ID18mm Hose	ID18mm Hose	ID18mm Hose
Wiring connections	For power supply	Minimum	mm <sup>2</sup>	1.5	1.5	1.5	1.5
	For connection with indoor	Minimum	mm <sup>2</sup>	0.75	0.75	0.75	0.75
		Remark	-	F1, F2	F1, F2	F1, F2	F1, F2
Refrigerant	Type		-	R410A	R410A	R410A	R410A
	Electronic Expansion Valve		-	EEV NOT INCLUDED	EEV NOT INCLUDED	EEV NOT INCLUDED	EEV NOT INCLUDED
Sound	Sound Pressure	High / Mid / Low	dB(A)	42/33/23	42/33/23	42/34/25	45/35/29
	Sound Power	Cooling		59	59	58	63
Dimensions	Net Weight		kg	8.0	8.0	11.4	11.4
	Shipping Weight		kg	9.8	9.2	13.8	13.8
	Net Dimensions (WxHxD)		mm	820 x 285 x 215	820 x 285 x 215	1,065 x 298 x 230	1,065 x 298 x 230
	Shipping Dimensions (WxHxD)		mm	880 x 260 x 360	880 x 260 x 360	1,125 x 290 x 375	1,125 x 290 x 375
Casing	Material		-	HIPS	HIPS	HIPS	HIPS
Additional Accessories	Air Filter		-	Removable / Washable	Removable / Washable	Removable / Washable	Removable / Washable



# 2. Specification

## 2-2. Indoor Units

### Wall Mounted Type - New Boracay

Type				New Boracay	New Boracay	New Boracay
Model Name				AR07MSFHBWKNEU	AR09MSFHBWKNEU	AR09MSFHBWKNET
Power Supply			Φ, #, V, Hz	1,2,220-240,50	1,2,220-240,50	1,2,220-240,50
Mode			-	HEAT PUMP	HEAT PUMP	HEAT PUMP
Performance	Capacity	Cooling	kW	2.0	2.5	2.5
			Btu/h	6,800	8,500	8,500
		Heating	kW	2.2	3.2	3.2
			Btu/h	7,500	10,900	10,900
Power	Power Input	Cooling	W	30	30	30
		Heating		30	30	30
	Current Input	Cooling	A	0.3	0.3	0.3
		Heating		0.3	0.3	0.3
Heat exchanger	Type		-	Fin & Tube	Fin & Tube	Fin & Tube
	Material	Fin	-	Al	Al	Al
		Tube	-	Cu	Cu	Cu
	Fin Treatment		-	Green Hydrophile	Green Hydrophile	Green Hydrophile
Fan	Type		-	Cross flow Fan	Cross flow Fan	Cross flow Fan
	Quantity		EA	1	1	1
	Air Flow Rate	H/M/L	m <sup>3</sup> /min	8.0	9.0	9.0
			l/s	133	150	150
	External Static pressur	Max. (Min/Std/Max)	mmAq	-	-	-
Pa			-	-	-	
Fan Motor	Type		-	BLDC Motor	BLDC Motor	BLDC Motor
	Output x n		W	23 x 1	23 x 1	23 x 1
Piping Connections	Liquid Pipe	Type		Flare connection	Flare connection	Flare connection
		Φ,mm		6.35	6.35	6.35
		Φ, inch		1/4"	1/4"	1/4"
	Gas Pipe	Type		Flare connection	Flare connection	Flare connection
		Φ,mm		9.52	9.52	9.52
		Φ, inch		3/8"	3/8"	3/8"
	Heat Insulation		-	Both liquid and gas pipes	Both liquid and gas pipes	Both liquid and gas pipes
Drain Pipe		Φ,mm	ID18mm Hose	ID18mm Hose	ID18mm Hose	
Wiring connections	For power supply	Minimum	mm <sup>2</sup>	1.5	1.5	1.5
	For connection with indoor	Minimum	mm <sup>2</sup>	0.75	0.75	0.75
		Remark	-		F1, F2	F1, F2
Refrigerant	Type		-	R410A	R410A	R410A
	Electronic Expansion Valve		-	EEV NOT INCLUDED	EEV NOT INCLUDED	EEV NOT INCLUDED
Sound	Sound Pressure	High / Mid / Low	dB(A)	38 / 30 / 21	38 / 30 / 21	38 / 30 / 21
	Sound Power	Cooling		56	56	56
Dimensions	Net Weight		kg	8.2	8.2	8.2
	Shipping Weight		kg	10.2	10.2	9.6
	Net Dimensions (WxHxD)		mm	820 x 285 x 227	820 x 285 x 227	820 x 285 x 227
	Shipping Dimensions (WxHxD)		mm	880 x 280 x 363	880 x 280 x 363	880 x 280 x 363
Casing	Material		-	HIPS	HIPS	HIPS
Additional Accessories	Air Filter		-	Removable / Washable	Removable / Washable	Removable / Washable

## 2. Specification

### 2-2. Indoor Units

#### Wall Mounted Type - New Boracay

Type				New Boracay	New Boracay	New Boracay	New Boracay
Model Name				AR12MSFHBWKNEU	AR12MSFHBWKNET	AR18MSFHBWKNEU	AR24MSFHBWKNEU
Power Supply			Φ, #, V, Hz	1,2,220-240,50	1,2,220-240,50	1,2,220-240,50	1,2,220-240,50
Mode				-	HEAT PUMP	HEAT PUMP	HEAT PUMP
Performance	Capacity	Cooling	kW	3.5	3.5	5.0	6.8
			Btu/h	11,900	11,900	17,100	23,200
		Heating	kW	3.5	3.5	6.0	7.7
			Btu/h	11,900	11,900	20,500	26,300
Power	Power Input	Cooling	W	30	30	50	50
		Heating		30	30	50	50
	Current Input	Cooling	A	0.3	0.3	0.5	0.5
		Heating		0.3	0.3	0.5	0.5
Heat exchanger	Type		-	Fin & Tube	Fin & Tube	Fin & Tube	Fin & Tube
	Material	Fin	-	Al	Al	Al	Al
		Tube	-	Cu	Cu	Cu	Cu
	Fin Treatment			-	Green Hydrophile	Green Hydrophile	Green Hydrophile
Fan	Type		-	Cross flow Fan	Cross flow Fan	Cross flow Fan	Cross flow Fan
	Quantity		EA	1	1	1	1
	Air Flow Rate	H/M/L	m <sup>3</sup> /min	10.0	10.0	15.5	16.5
			l/s	167	167	258	275
	External Static pressur	Max. (Min/Std/Max)	mmAq	-	-	-	-
Pa			-	-	-	-	
Fan Motor	Type		-	BLDC Motor	BLDC Motor	BLDC Motor	BLDC Motor
	Output x n		W	23 x 1	23 x 1	27 x 1	27 x 1
Piping Connections	Liquid Pipe	Type		Flare connection	Flare connection	Flare connection	Flare connection
		Φ,mm		6.35	6.35	6.35	6.35
		Φ, inch		1/4"	1/4"	1/4"	1/4"
	Gas Pipe	Type		Flare connection	Flare connection	Flare connection	Flare connection
		Φ,mm		9.52	9.52	12.7	15.88
		Φ, inch		3/8"	3/8"	1/2"	5/8"
Heat Insulation			-	Both liquid and gas pipes	Both liquid and gas pipes	Both liquid and gas pipes	Both liquid and gas pipes
Drain Pipe			Φ,mm	ID18mm Hose	ID18mm Hose	ID18mm Hose	ID18mm Hose
Wiring connections	For power supply	Minimum	mm <sup>2</sup>	1.5	1.5	1.5	1.5
	For connection with indoor	Minimum	mm <sup>2</sup>	0.75	0.75	0.75	0.75
		Remark	-	F1, F2	F1, F2	F1, F2	F1, F2
Refrigerant	Type		-	R410A	R410A	R410A	R410A
	Electronic Expansion Valve		-	EEV NOT INCLUDED	EEV NOT INCLUDED	EEV NOT INCLUDED	EEV NOT INCLUDED
Sound	Sound Pressure	High / Mid / Low	dB(A)	42 / 33 / 21	42 / 33 / 21	42 / 34 / 25	45 / 36 / 29
	Sound Power	Cooling		59	59	58	63
Dimensions	Net Weight		kg	8.2	8.2	11.5	11.5
	Shipping Weight		kg	10.2	9.6	14.0	14.0
	Net Dimensions (WxHxD)		mm	820 x 285 x 227	820 x 285 x 227	1,065 x 298 x 243	1,065 x 298 x 243
	Shipping Dimensions (WxHxD)		mm	880 x 280 x 363	880 x 280 x 363	1,128 x 299 x 378	1,128 x 299 x 378
Casing	Material		-	HIPS	HIPS	HIPS	HIPS
Additional Accessories	Air Filter		-	Removable / Washable	Removable / Washable	Removable / Washable	Removable / Washable

# 2. Specification

## 2-2. Indoor Units

### Wall Mounted Type - Wind-Free (A3050)

Type				Wind-Free	Wind-Free	Wind-Free
Model Name				AR07MSPXAWKNEU	AR09MSPXAWKNEU	AR12MSPXAWKNEU
Power Supply			Φ, #, V, Hz	1,2,220-240,50	1,2,220-240,50	1,2,220-240,50
Mode				-	HEAT PUMP	HEAT PUMP
Performance	Capacity	Cooling	kW	2.0	2.5	3.5
			Btu/h	6,800	8,500	11,900
		Heating	kW	2.2	3.2	4.0
			Btu/h	7,500	10,900	13,600
Power	Power Input	Cooling	W	30	30	30
		Heating		30	30	30
	Current Input	Cooling	A	0.3	0.3	0.3
		Heating		0.3	0.3	0.3
Heat exchanger	Type		-	Fin & Tube	Fin & Tube	Fin & Tube
	Material	Fin	-	Al	Al	Al
		Tube	-	Cu	Cu	Cu
	Fin Treatment		-	Green Hydrophile	Green Hydrophile	Green Hydrophile
Fan	Type		-	Cross flow Fan	Cross flow Fan	Cross flow Fan
	Quantity		EA	1	1	1
	Air Flow Rate	H/M/L	m <sup>3</sup> /min	10.0	9.0	9.5
			l/s	167	150	158
	External Static pressur	Max. (Min/Std/Max)	mmAq	-	-	-
Pa			-	-	-	
Fan Motor	Type		-	BLDC Motor	BLDC Motor	BLDC Motor
	Output x n		W	27 x 1	27 x 1	27 x 1
Piping Connections	Liquid Pipe	Type		Flare connection	Flare connection	Flare connection
		Φ,mm		6.35	6.35	6.35
		Φ, inch		1/4"	1/4"	1/4"
	Gas Pipe	Type		Flare connection	Flare connection	Flare connection
		Φ,mm		9.52	9.52	9.52
		Φ, inch		3/8"	3/8"	3/8"
Heat Insulation		-	Both liquid and gas pipes	Both liquid and gas pipes	Both liquid and gas pipes	
Drain Pipe		Φ,mm	ID18mm Hose	ID18mm Hose	ID18mm Hose	
Wiring connections	For power supply	Minimum	mm <sup>2</sup>	1.5	1.5	1.5
	For connection with indoor	Minimum	mm <sup>2</sup>	0.75	0.75	0.75
		Remark	-	F1, F2	F1, F2	F1, F2
Refrigerant	Type		-	R410A	R410A	R410A
	Electronic Expansion Valve		-	EEV NOT INCLUDED	EEV NOT INCLUDED	EEV NOT INCLUDED
Sound	Sound Pressure	High / Mid / Low	dB(A)	37/30/22	37/30/22	38/31/22
	Sound Power	Cooling		56	56	58
Dimensions	Net Weight		kg	9.4	10.1	10.1
	Shipping Weight		kg	11.6	12.8	12.8
	Net Dimensions (WxHxD)		mm	828 x 267 x 265	828 x 267 x 265	828 x 267 x 265
	Shipping Dimensions (WxHxD)		mm	886 x 317 x 335	886 x 317 x 335	886 x 317 x 335
Casing	Material		-	HIPS	HIPS	HIPS
Additional Accessories	Air Filter		-	Removable / Washable	Removable / Washable	Removable / Washable

## 2. Specification

### 2-2. Indoor Units

#### Wall Mounted Type - Wind-Free (A3050)

Type				Wind-Free	Wind-Free	Wind-Free
Model Name				AR07MSPXBWKNEU	AR09MSPXBWKNEU	AR12MSPXBWKNEU
Power Supply			Φ, #, V, Hz	1,2,220-240,50	1,2,220-240,50	1,2,220-240,50
Mode				HEAT PUMP	HEAT PUMP	HEAT PUMP
Performance	Capacity	Cooling	kW	2.0	2.5	3.5
			Btu/h	6,800	8,500	11,900
		Heating	kW	2.2	3.2	4.0
			Btu/h	7,500	10,900	13,600
Power	Power Input	Cooling	W	30	30	30
		Heating		30	30	30
	Current Input	Cooling	A	0.3	0.3	0.3
		Heating		0.3	0.3	0.3
Heat exchanger	Type		-	Fin & Tube	Fin & Tube	Fin & Tube
	Material	Fin	-	Al	Al	Al
		Tube	-	Cu	Cu	Cu
	Fin Treatment		-	Green Hydrophile	Green Hydrophile	Green Hydrophile
Fan	Type		-	Cross flow Fan	Cross flow Fan	Cross flow Fan
	Quantity		EA	1	1	1
	Air Flow Rate	H/M/L	m <sup>3</sup> /min	10.0	11.0	12.0
			l/s	167	183	200
	External Static pressur	Max. (Min/Std/Max)	mmAq	-	-	-
Pa			-	-	-	
Fan Motor	Type		-	BLDC Motor	BLDC Motor	BLDC Motor
	Output x n		W	27 x1	27 x1	27 x1
Piping Connections	Liquid Pipe	Type		Flare connection	Flare connection	Flare connection
		Φ,mm		6.35	6.35	6.35
		Φ, inch		1/4"	1/4"	1/4"
	Gas Pipe	Type		Flare connection	Flare connection	Flare connection
		Φ,mm		9.52	9.52	9.52
		Φ, inch		3/8"	3/8"	3/8"
	Heat Insulation		-	Both liquid and gas pipes	Both liquid and gas pipes	Both liquid and gas pipes
Drain Pipe		Φ,mm	ID18mm Hose	ID18mm Hose	ID18mm Hose	
Wiring connections	For power supply	Minimum	mm <sup>2</sup>	1.5	1.5	1.5
	For connection with indoor	Minimum	mm <sup>2</sup>	0.75	0.75	0.75
		Remark	-	F1, F2	F1, F2	F1, F2
Refrigerant	Type		-	R410A	R410A	R410A
	Electronic Expansion Valve		-	EEV NOT INCLUDED	EEV NOT INCLUDED	EEV NOT INCLUDED
Sound	Sound Pressure	High / Mid / Low	dB(A)	37/30/22	37/30/22	38/31/22
	Sound Power	Cooling		56	56	58
Dimensions	Net Weight		kg	9.4	9.4	9.4
	Shipping Weight		kg	11.6	11.6	11.6
	Net Dimensions (WxHxD)		mm	828 x 267 x 265	828 x 267 x 265	828 x 267 x 265
	Shipping Dimensions (WxHxD)		mm	886 x 317 x 335	886 x 317 x 335	886 x 317 x 335
Casing	Material		-	HIPS	HIPS	HIPS
Additional Accessories	Air Filter		-	Removable / Washable	Removable / Washable	Removable / Washable

# 2. Specification

## 2-2. Indoor Units

### Wall Mounted Type - Wind-Free (A3050)

Type				Wind-Free	Wind-Free	Wind-Free
Model Name				AR07MSWXBWKNEU	AR09MSWXBWKNEU	AR12MSWXBWKNEU
Power Supply			Φ, #, V, Hz	1,2,220-240,50	1,2,220-240,50	1,2,220-240,50
Mode			-	HEAT PUMP	HEAT PUMP	HEAT PUMP
Performance	Capacity	Cooling	kW	2.0	2.5	3.5
			Btu/h	6,800	8,500	11,900
		Heating	kW	2.2	3.2	4.0
			Btu/h	7,500	10,900	13,600
Power	Power Input	Cooling	W	30	30	30
		Heating		30	30	30
	Current Input	Cooling	A	0.3	0.3	0.3
		Heating		0.3	0.3	0.3
Heat exchanger	Type		-	Fin & Tube	Fin & Tube	Fin & Tube
	Material	Fin	-	Al	Al	Al
		Tube	-	Cu	Cu	Cu
	Fin Treatment		-	Green Hydrophile	Green Hydrophile	Green Hydrophile
Fan	Type		-	Cross flow Fan	Cross flow Fan	Cross flow Fan
	Quantity		EA	1	1	1
	Air Flow Rate	H/M/L	m <sup>3</sup> /min	10.0	11.0	12.0
			l/s	167	183	200
	External Static pressur	Max. (Min/Std/Max)	mmAq	-	-	-
Pa			-	-	-	
Fan Motor	Type		-	BLDC Motor	BLDC Motor	BLDC Motor
	Output x n		W	27 x 1	27 x 1	27 x 1
Piping Connections	Liquid Pipe	Type		Flare connection	Flare connection	Flare connection
		Φ,mm		6.35	6.35	6.35
		Φ, inch		1/4"	1/4"	1/4"
	Gas Pipe	Type		Flare connection	Flare connection	Flare connection
		Φ,mm		9.52	9.52	9.52
		Φ, inch		3/8"	3/8"	3/8"
Heat Insulation		-	Both liquid and gas pipes	Both liquid and gas pipes	Both liquid and gas pipes	
Drain Pipe		Φ,mm	ID18mm Hose	ID18mm Hose	ID18mm Hose	
Wiring connections	For power supply	Minimum	mm <sup>2</sup>	1.5	1.5	1.5
	For connection with indoor	Minimum	mm <sup>2</sup>	0.75	0.75	0.75
		Remark	-		F1, F2	F1, F2
Refrigerant	Type		-	R410A	R410A	R410A
	Electronic Expansion Valve		-	EEV NOT INCLUDED	EEV NOT INCLUDED	EEV NOT INCLUDED
Sound	Sound Pressure	High / Mid / Low	dB(A)	37/30/22	37/30/22	38/31/22
	Sound Power	Cooling		56	56	58
Dimensions	Net Weight		kg	9.4	9.4	9.4
	Shipping Weight		kg	11.6	11.6	11.6
	Net Dimensions (WxHxD)		mm	828 x 267 x 265	828 x 267 x 265	828 x 267 x 265
	Shipping Dimensions (WxHxD)		mm	886 x 317 x 335	886 x 317 x 335	886 x 317 x 335
Casing	Material		-	HIPS	HIPS	HIPS
Additional Accessories	Air Filter		-	Removable / Washable	Removable / Washable	Removable / Washable

## 2. Specification

### 2-2. Indoor Units

#### 1 Way Cassette

Type				Slim 1way		Slim 1way	
Model Name				MH026FSEA		MH035FSEA	
Power Supply			Φ, #, V, Hz	1, 2, 220-240, 50		1, 2, 220-240, 50	
Mode				HEAT PUMP		HEAT PUMP	
Performance	Capacity	Cooling	kW	2.6		3.5	
			Btu/h	8,900		11,900	
		Heating	kW	2.9		3.8	
			Btu/h	9,900		13,000	
Power	Power Input	Cooling	W	45		50	
		Heating		45		50	
	Current Input	Cooling	A	0.23		0.25	
		Heating		0.23		0.25	
Heat exchanger	Type		-	Fin & Tube		Fin & Tube	
	Material	Fin	-	Al		Al	
		Tube	-	Cu		Cu	
	Fin Treatment		-	Green Hydrophile		Green Hydrophile	
Fan	Type		-	Cross flow Fan		Cross flow Fan	
	Quantity		EA	1		1	
	Air Flow Rate	H/M/L	m <sup>3</sup> /min	6.2 / 5.2 / 4.2		7.6 / 6.6 / 5.6	
			l/s	102 / 87 / 70		127 / 110 / 92	
	External Static pressur	Max. (Min/Std/Max)	mmAq	-		-	
Pa			-		-		
Fan Motor	Type		-	AC Motor		AC Motor	
	Output x n		W	17 x 1		17 x 1	
Piping Connections	Liquid Pipe	Type		Flare connection		Flare connection	
		Φ,mm		6.35		6.35	
		Φ, inch		1/4"		1/4"	
	Gas Pipe	Type		Flare connection		Flare connection	
		Φ,mm		9.52		9.52	
		Φ, inch		3/8"		3/8"	
Heat Insulation		-	Both liquid and gas pipes		Both liquid and gas pipes		
Drain Pipe		Φ,mm	VP20 (OD 26, ID 20)		VP20 (OD 26, ID 20)		
Wiring connections	For power supply	Minimum	mm <sup>2</sup>	1.5		1.5	
	For connection with indoor	Minimum	mm <sup>2</sup>	0.75		0.75	
		Remark	-	F1, F2		F1, F2	
Refrigerant	Type		-	R410A		R410A	
	Electronic Expansion Valve		-	EEV NOT INCLUDED		EEV NOT INCLUDED	
Sound	Sound Pressure	High / Mid / Low	dB(A)	31 / 28 / 25		36 / 33 / 30	
	Sound Power	Cooling		53		53	
Dimensions	Net Weight		kg	10.0		10.0	
	Shipping Weight		kg	12.6		12.6	
	Net Dimensions (WxHxD)		mm	970 x 135 x 410		970 x 135 x 410	
	Shipping Dimensions (WxHxD)		mm	1,173 x 231 x 487		1,173 x 231 x 487	
Casing	Material		-	ABS		ABS	
Panel	Model Name		-	PSSMA		PSSMA	
	Type		-	Stripe Type		Stripe Type	
	Material		-	ABS		ABS	
	Color		-	VICTORY-GRAY		VICTORY-GRAY	
	Net Weight		kg	3.1		3.1	
	Shipping Weight		kg	6.7		6.7	
	Net Dimensions (WxHxD)		mm	1,180 x 25 x 460		1,180 x 25 x 460	
Shipping Dimensions (WxHxD)		mm	1,262 x 144 x 542		1,262 x 144 x 542		
Drain pump	Drain pump		-	Included		Included	
	Max. lifting Height / Displacement		mm / Liter/h	750 / 24		750 / 24	

# 2. Specification

## 2-2. Indoor Units

### 1 Way Cassette

Type				Slim 1way	Slim 1way
Model Name				MH026FSEA	MH035FSEA
Additional Accessories	Drain Pump	External Model	-	-	-
		Internal Model	-	-	-
		Max. lifting Height / Displacement	mm / Liter/h	-	-
	Air Filter	-	Removable / Washable	Removable / Washable	

### NOTE

- Specifications may be subject to change without prior notice.
- Capacities are based on (Equivalent refrigerant piping : 5m, Level differences : 0m)
  - Cooling : Indoor temperature : 27°C DB, 19°C WB / Outdoor temperature : 35°C DB, 24°C WB
  - Heating : Indoor temperature : 20°C DB, 15°C WB / Outdoor temperature : 7°C DB, 6°C WB
- Select wire size based on the value of MCA
- Sound pressure level is obtained in an anechoic room.
  - Sound pressure level is a relative value, depending on the distance and acoustic environment.
  - Sound pressure level may differ depending on operation condition.
  - dBA = A-weighted sound pressure level
  - Reference acoustic pressure 0 dB = 20uPa
- Sound power level is an absolute value that a sound source generates.
- dBA = A-weighted sound power level
- Reference power : 1pW
- Measured according to ISO 3741
- These products contain R410A (GWP=2,088) which is fluorinated greenhouse gas.

## 2. Specification

### 2-2. Indoor Units

#### 4 Way Cassette (600x600)

Type				4Way CST(600x600)	4Way CST(600x600)	4Way CST(600x600)
Model Name				AJN016NDEHA/EU	AJN020NDEHA/EU	AJN026NDEHA/EU
Power Supply			Φ, #, V, Hz	1, 2, 220-240, 50	1, 2, 220-240, 50	1, 2, 220-240, 50
Mode				-	HEAT PUMP	HEAT PUMP
Performance	Capacity	Cooling	kW	1.6	2.0	2.6
			Btu/h	5,500	6,800	8,900
		Heating	kW	2.0	2.2	2.9
			Btu/h	6,800	7,500	9,900
Power	Power Input	Cooling	W	19	19	19
		Heating		19	19	19
	Current Input	Cooling	A	0.51	0.51	0.51
		Heating		0.51	0.51	0.51
Heat exchanger	Type		-	Fin & Tube	Fin & Tube	Fin & Tube
	Material	Fin	-	Al	Al	Al
		Tube	-	Cu	Cu	Cu
	Fin Treatment			-	Green Hydrophile	Green Hydrophile
Fan	Type		-	Turbo Fan	Turbo Fan	Turbo Fan
	Quantity		EA	1	1	1
	Air Flow Rate	H/M/L	m <sup>3</sup> /min	9.0 / 8.2 / 6.9	9.0 / 8.2 / 6.9	9.0 / 8.2 / 6.9
			l/s	150 / 137 / 115	150 / 137 / 115	150 / 137 / 115
	External Static pressur	Max. (Min/Std/Max)	mmAq	-	-	-
Pa			-	-	-	
Fan Motor	Type		-	BLDC Motor	BLDC Motor	BLDC Motor
	Output x n		W	65 x 1	65 x 1	65 x 1
Piping Connections	Liquid Pipe	Type		Flare connection	Flare connection	Flare connection
		Φ,mm		6.35	6.35	6.35
		Φ, inch		1/4"	1/4"	1/4"
	Gas Pipe	Type		Flare connection	Flare connection	Flare connection
		Φ,mm		9.52	9.52	9.52
		Φ, inch		3/8"	3/8"	3/8"
	Heat Insulation			-	Both liquid and gas pipes	Both liquid and gas pipes
Drain Pipe		Φ,mm	VP25 (OD 32, ID 25)	VP25 (OD 32, ID 25)	VP25 (OD 32, ID 25)	
Wiring connections	For power supply	Minimum	mm <sup>2</sup>	1.5	1.5	1.5
	For connection with indoor	Minimum	mm <sup>2</sup>	0.75	0.75	0.75
		Remark	-	F1, F2	F1, F2	F1, F2
Refrigerant	Type		-	R410A	R410A	R410A
	Electronic Expansion Valve		-	EEV NOT INCLUDED	EEV NOT INCLUDED	EEV NOT INCLUDED
Sound	Sound Pressure	High / Mid / Low	dB(A)	33 / 29 / 24	33 / 29 / 24	33 / 29 / 25
	Sound Power	Cooling		47	47	47
Dimensions	Net Weight		kg	11.5	11.7	11.7
	Shipping Weight		kg	13.7	13.7	13.7
	Net Dimensions (WxHxD)		mm	575 x 250 x 575	575 x 250 x 575	575 x 250 x 575
	Shipping Dimensions (WxHxD)		mm	623 x 298 x 653	623 x 298 x 653	623 x 298 x 653
Casing	Material		-	Polypropylene	Polypropylene	Polypropylene
Panel	Model Name		-	PC4SUSMC	PC4SUSMC	PC4SUSMC
	Type		-	Waffle	Waffle	Waffle
	Material		-	HIPS	HIPS	HIPS
	Color		-	VICTORY-GRAY	VICTORY-GRAY	VICTORY-GRAY
	Net Weight		kg	2.3	2.3	2.3
	Shipping Weight		kg	3.5	3.5	3.5
	Net Dimensions (W×H×D)		mm	620 x 45 x 620	620 x 45 x 620	620 x 45 x 620
Shipping Dimensions (W×H×D)		mm	661 x 106 x 671	661 x 106 x 671	661 x 106 x 671	
Drain pump	Drain pump		-	Included	Included	INCLUDED
	Max. lifting Height / Displacement		mm / Liter/h	750 / 24	750 / 24	750 / 24



# 2. Specification

## 2-2. Indoor Units

### 4 Way Cassette (600x600)

Type				4Way CST(600x600)	4Way CST(600x600)	4Way CST(600x600)
Model Name				AJN016NDEHA/EU	AJN020NDEHA/EU	AJN026NDEHA/EU
Additional Accessories	Drain Pump	External Model	-	-	-	-
		Internal Model	-	-	-	-
		Max. lifting Height / Displacement	mm / Liter/h	-	-	-
	Air Filter	-	Removable / Washable	Removable / Washable	Removable / Washable	

### NOTE

- Specifications may be subject to change without prior notice.
- Capacities are based on (Equivalent refrigerant piping : 5m, Level differences : 0m)
  - Cooling : Indoor temperature : 27°C DB, 19°C WB / Outdoor temperature : 35°C DB, 24°C WB
  - Heating : Indoor temperature : 20°C DB, 15°C WB / Outdoor temperature : 7°C DB, 6°C WB
- Select wire size based on the value of MCA
- Sound pressure level is obtained in an anechoic room.
  - Sound pressure level is a relative value, depending on the distance and acoustic environment.
  - Sound pressure level may differ depending on operation condition.
  - dBA = A-weighted sound pressure level
  - Reference acoustic pressure 0 dB = 20uPa
- Sound power level is an absolute value that a sound source generates.
- dBA = A-weighted sound power level
- Reference power : 1pW
- Measured according to ISO 3741
- These products contain R410A (GWP=2,088) which is fluorinated greenhouse gas.

# 2. Specification

## 2-2. Indoor Units

### 4 Way Cassette (600x600)

Type				4Way CST(600x600)	4Way CST(600x600)
Model Name				AJN035NDEHA/EU	AJN052NDEHA/EU
Power Supply			Φ, #, V, Hz	1, 2, 220-240, 50	1, 2, 220-240, 50
Mode				HEAT PUMP	HEAT PUMP
Performance	Capacity	Cooling	kW	3.5	5.2
			Btu/h	11,900	17,700
		Heating	kW	3.8	5.6
			Btu/h	13,000	19,100
Power	Power Input	Cooling	W	22	28
		Heating		22	28
	Current Input	Cooling	A	0.52	0.53
		Heating		0.52	0.53
Heat exchanger	Type		-	Fin & Tube	Fin & Tube
	Material	Fin	-	Al	Al
		Tube	-	Cu	Cu
	Fin Treatment		-	Green Hydrophile	Green Hydrophile
Fan	Type		-	Turbo Fan	Turbo Fan
	Quantity		EA	1	1
	Air Flow Rate	H/M/L	m <sup>3</sup> /min	10.5 / 9.0 / 7.4	10.5 / 9.0 / 7.4
			l/s	175 / 150 / 133	175 / 150 / 133
	External Static pressur	Max. (Min/Std/Max)	mmAq	-	-
Pa			-	-	
Fan Motor	Type		-	BLDC Motor	BLDC Motor
	Output x n		W	65 x 1	65 x 1
Piping Connections	Liquid Pipe	Type		Flare connection	Flare connection
		Φ,mm		6.35	6.35
		Φ, inch		1/4"	1/4"
	Gas Pipe	Type		Flare connection	Flare connection
		Φ,mm		9.52	12.7
		Φ, inch		3/8"	1/2"
Heat Insulation		-	Both liquid and gas pipes	Both liquid and gas pipes	
Drain Pipe		Φ,mm	VP25 (OD 32, ID 25)	VP25 (OD 32, ID 25)	
Wiring connections	For power supply	Minimum	mm <sup>2</sup>	1.5	1.5
	For connection with indoor	Minimum	mm <sup>2</sup>	0.75	0.75
		Remark	-		F1, F2
Refrigerant	Type		-	R410A	R410A
	Electronic Expansion Valve		-	EEV NOT INCLUDED	EEV NOT INCLUDED
Sound	Sound Pressure	High / Mid / Low	dB(A)	35 / 31 / 27	39 / 36 / 32
	Sound Power	Cooling		49	55
Dimensions	Net Weight		kg	11.7	11.7
	Shipping Weight		kg	13.7	13.7
	Net Dimensions (WxHxD)		mm	575 x 250 x 575	575 x 250 x 575
	Shipping Dimensions (WxHxD)		mm	623 x 298 x 653	623 x 298 x 653
Casing	Material		-	Polypropylene	Polypropylene
Panel	Model Name		-	PC4SUSMC	PC4SUSMC
	Type		-	Waffle	Waffle
	Material		-	HIPS	HIPS
	Color		-	VICTORY-GRAY	VICTORY-GRAY
	Net Weight		kg	2.3	2.3
	Shipping Weight		kg	3.5	3.5
	Net Dimensions (W×H×D)		mm	620 x 45 x 620	620 x 45 x 620
	Shipping Dimensions (W×H×D)		mm	661 x 106 x 671	661 x 106 x 671
Drain pump	Drain pump		-	INCLUDED	INCLUDED
	Max. lifting Height / Displacement		mm / Liter/h	750 / 24	750 / 24

## 2. Specification

### 2-2. Indoor Units

#### 4 Way Cassette (600x600)

Type				4Way CST(600x600)	4Way CST(600x600)
Model Name				AJN035NDEHA/EU	AJN052NDEHA/EU
Additional Accessories	Drain Pump	External Model	-	-	-
		Internal Model	-	-	-
		Max. lifting Height / Displacement	mm / Liter/h	-	-
	Air Filter	-	Removable / Washable	Removable / Washable	

#### NOTE

- Specifications may be subject to change without prior notice.
- Capacities are based on (Equivalent refrigerant piping : 5m, Level differences : 0m)
  - Cooling : Indoor temperature : 27°C DB, 19°C WB / Outdoor temperature : 35°C DB, 24°C WB
  - Heating : Indoor temperature : 20°C DB, 15°C WB / Outdoor temperature : 7°C DB, 6°C WB
- Select wire size based on the value of MCA
- Sound pressure level is obtained in an anechoic room.
  - Sound pressure level is a relative value, depending on the distance and acoustic environment.
  - Sound pressure level may differ depending on operation condition.
  - dBA = A-weighted sound pressure level
  - Reference acoustic pressure 0 dB = 20uPa
- Sound power level is an absolute value that a sound source generates.
- dBA = A-weighted sound power level
- Reference power : 1pW
- Measured according to ISO 3741
- These products contain R410A (GWP=2,088) which is fluorinated greenhouse gas.

## 2. Specification

### 2-2. Indoor Units

#### Duct – Slim Duct, MSP Duct

Type				Slim duct1	Slim duct1	MSP Duct	
Model Name				NJ026LHXEA	NJ035LHXEA	MH052FUEA	
Power Supply			Φ, #, V, Hz	1, 2, 220-240, 50	1, 2, 220-240, 50	1, 2, 220-240, 50	
Mode				-	HEAT PUMP	HEAT PUMP	
Performance	Capacity	Cooling	kW	2.6	3.5	5.2	
			Btu/h	8,900	11,900	17,700	
		Heating	kW	2.9	3.8	5.6	
			Btu/h	9,900	13,000	19,100	
Power	Power Input	Cooling	W	80	80	170	
		Heating		80	80	170	
	Current Input	Cooling	A	0.40	0.40	1.04	
		Heating		0.40	0.40	1.04	
Heat exchanger	Type		-	Fin & Tube	Fin & Tube	Fin & Tube	
	Material	Fin	-	Al	Al	Al	
		Tube	-	Cu	Cu	Cu	
	Fin Treatment		-	Green Hydrophile	Green Hydrophile	Green Hydrophile	
Fan	Type		-	Sirocco Fan	Sirocco Fan	Sirocco Fan	
	Quantity		EA	2	2	2	
	Air Flow Rate	H/M/L	m <sup>3</sup> /min	8.6 / 7.6 / 6.6	9.8 / 8.8 / 7.8	16.3 / 15.0 / 13.5	
			l/s	143 / 127 / 110	163 / 147 / 130	272 / 250 / 225	
	External Static pressur	Max. (Min/Std/Max)	mmAq	0 / 2 / 4	0 / 2 / 4	0 / 4 / 6	
Pa			0 / 19.6 / 39.2	0 / 19.6 / 39.2	0 / 39.2 / 58.8		
Fan Motor	Type		-	AC Motor	AC Motor	AC Motor	
	Output x n		W	25 x 1	25 x 1	200 x 1	
Piping Connections	Liquid Pipe	Type		Flare connection	Flare connection	Flare connection	
		Φ,mm		6.35	6.35	6.35	
		Φ, inch		1/4"	1/4"	1/4"	
	Gas Pipe	Type		Flare connection	Flare connection	Flare connection	
		Φ,mm		9.52	9.52	12.7	
		Φ, inch		3/8"	3/8"	1/2"	
	Heat Insulation		-	Both liquid and gas pipes	Both liquid and gas pipes	Both liquid and gas pipes	
Drain Pipe		Φ,mm	VP25 (OD 32, ID 25)	VP25 (OD 32, ID 25)	VP25 (OD 32, ID 25)		
Wiring connections	For power supply	Minimum	mm <sup>2</sup>	1.5	1.5	1.5	
	For connection with indoor	Minimum	mm <sup>2</sup>	0.75	0.75	0.75	
		Remark	-	F1, F2	F1, F2	F1, F2	
Refrigerant	Type		-	R410A	R410A	R410A	
	Electronic Expansion Valve		-	EEV NOT INCLUDED	EEV NOT INCLUDED	EEV NOT INCLUDED	
Sound	Sound Pressure	High / Mid / Low	dB(A)	30 / 28 / 25	32 / 30 / 27	42 / 41 / 39	
	Sound Power	Cooling		53	53	59	
Dimensions	Net Weight		kg	23.4	23.5	28.3	
	Shipping Weight		kg	27.8	27.8	33.5	
	Net Dimensions (WxHxD)		mm	900 x 199 x 600	900 x 199 x 600	900 x 260 x 480	
	Shipping Dimensions (WxHxD)		mm	1151 x 280 x 709	1151 x 280 x 709	1170 x 340 x 595	
Casing	Material		-	EGI Steel Plate	EGI Steel Plate	EGI Steel Plate	
Drain pump	Drain pump		-	NOT INCLUDED	NOT INCLUDED	NOT INCLUDED	
	Max. lifting Height / Displacement		mm / Liter/h	-	-	-	
Additional Accessories	Drain Pump	External Model		-	-	-	
		Internal Model		-	MDP-E075SEE3	MDP-E075SEE3	MDP-M075SGU3
		Max. lifting Height / Displacement		mm / Liter/h	750 / 24	750 / 24	750 / 24
	Air Filter		-	Removable / Washable	Removable / Washable	Removable / Washable	

# 2. Specification

## 2-2. Indoor Units

### Console

Type				Console	Console	Console
Model Name				MH026FJEA	MH035FJEA	MH052FJEA
Power Supply			Φ, #, V, Hz	1, 2, 220-240, 50	1, 2, 220-240, 50	1, 2, 220-240, 50
Mode				HEAT PUMP	HEAT PUMP	HEAT PUMP
Performance	Capacity	Cooling	kW	2.6	3.5	5.2
			Btu/h	8,900	11,900	17,700
		Heating	kW	2.9	3.8	5.6
			Btu/h	9,900	13,000	19,100
Power	Power Input	Cooling	W	30	35	50
		Heating		30	35	50
	Current Input	Cooling	A	0.25	0.29	0.29
		Heating		0.25	0.29	0.29
Heat exchanger	Type		-	Fin & Tube	Fin & Tube	Fin & Tube
	Material	Fin	-	Al	Al	Al
		Tube	-	Cu	Cu	Cu
	Fin Treatment		-	Green Hydrophile	Green Hydrophile	Green Hydrophile
Fan	Type		-	Turbo Fan	Turbo Fan	Turbo Fan
	Quantity		EA	1	1	1
	Air Flow Rate	H/M/L	m <sup>3</sup> /min	9.0 / 7.8 / 6.7	10.5 / 9.3 / 8.2	11.2 / 9.9 / 8.6
			l/s	150 / 130 / 112	175 / 155 / 137	187 / 165 / 143
	External Static pressur	Max. (Min/Std/Max)	mmAq	-	-	-
Pa			-	-	-	
Fan Motor	Type		-	BLDC Motor	BLDC Motor	BLDC Motor
	Output x n		W	35 x 1	35 x 1	35 x 1
Piping Connections	Liquid Pipe	Type		Flare connection	Flare connection	Flare connection
		Φ,mm		6.35	6.35	6.35
		Φ, inch		1/4"	1/4"	1/4"
	Gas Pipe	Type		Flare connection	Flare connection	Flare connection
		Φ,mm		9.52	9.52	12.7
		Φ, inch		3/8"	3/8"	1/2"
Heat Insulation		-	Both liquid and gas pipes	Both liquid and gas pipes	Both liquid and gas pipes	
Drain Pipe		Φ,mm	ID18mm Hose	ID18mm Hose	ID18mm Hose	
Wiring connections	For power supply	Minimum	mm <sup>2</sup>	1.5	1.5	1.5
	For connection with indoor	Minimum	mm <sup>2</sup>	0.75	0.75	0.75
		Remark	-		F1, F2	F1, F2
Refrigerant	Type		-	R410A	R410A	R410A
	Electronic Expansion Valve		-	EEV NOT INCLUDED	EEV NOT INCLUDED	EEV NOT INCLUDED
Sound	Sound Pressure	High / Mid / Low	dB(A)	36 / 31 / 23	38 / 35 / 24	43 / 39 / 32
	Sound Power	Cooling		53	57	60
Dimensions	Net Weight		kg	15.7	15.7	15.7
	Shipping Weight		kg	20.3	20.3	20.3
	Net Dimensions (WxHxD)		mm	720 x 199 x 620	720 x 199 x 620	720 x 199 x 620
	Shipping Dimensions (WxHxD)		mm	805 x 297 x 705	805 x 297 x 705	805 x 297 x 705
Casing	Material		-	HIPS	HIPS	HIPS
Drain pump	Drain pump		-	NOT INCLUDED	NOT INCLUDED	NOT INCLUDED
	Max. lifting Height / Displacement		mm / Liter/h	-	-	-
Additional Accessories	Drain Pump	External Model	-	-	-	-
		Internal Model	-	-	-	-
		Max. lifting Height / Displacement	mm / Liter/h	-	-	-
	Air Filter		-	Removable / Washable	Removable / Washable	Removable / Washable

### 3. Electrics Characteristics

Capacity (Cooling) [kW]	Model	Power Supply		Voltage Range		Running Current [A]		Current [A]		ODU Fan Motor [kW]
		Hz	Voltage	Min. (-10%)	Max. (+10%)	Cooling	Heating	MCA	MFA	
4.0	AJ040FCJ2EH**	50	220-240	198	264	4.7	4.5	9.8	11.25	0.035
5.0	AJ050FCJ2EH**	50	220-240	198	264	6.0	6.2	11.8	13.75	0.035
5.2	AJ052FCJ3EH**	50	220-240	198	264	6.2	6.4	12.2	13.75	0.045
5.9	AJ068FCJ3EH**	50	220-240	198	264	9.2	8.7	15.5	17.5	0.124
7.0	AJ070FCJ4EH**	50	220-240	198	264	8.7	9.2	18.7	20.75	0.124
8.0	AJ080FCJ4EH**	50	220-240	198	264	10.5	10.1	18.7	20.75	0.124
10.0	AJ100FCJ5EH**	50	220-240	198	264	13.3	13.4	26.2	28.8	0.125

 **NOTE**

- MCA : Minimum circuit amperes
- MFA : Maximum fuse amperes
- Select wire size based on the value of MCA

# 4. Combination Table

## 4-1. AJ040MCJ2EH/EU

### COOLING

Unit	Indoor Index					Cooling Capacity [W]					Capacity			Power Consumption			Current			Effic. STD. Cooling. At 35 °C / 27 °C	SEASONAL EFFICIENCY (ACCORDING EN14825)			Qce
	A	B	C	D	E	A	B	C	D	E	W			W			A				EER	Class	SEER	
											MIN	STD	MAX	MIN	STD	MAX	MIN	STD	MAX					
2	7	7				2000	2000				1250	4000	4500	300	1070	1330	1.7	4.9	6.1	3.74	A++	6.8	206	
	7	9				1780	2220				1300	4000	4500	350	1180	1330	1.9	5.4	6.1	3.39	A++	6.11	229	
	7	12				1450	2550				1300	4000	4500	350	1180	1330	1.9	5.4	6.1	3.39	A++	6.11	229	
	9	9				2000	2000				1300	4000	4500	350	1180	1330	1.9	5.4	6.1	3.39	A++	6.11	229	
	9	12				1670	2330				1300	4000	4500	350	1020	1330	1.9	4.7	6.1	3.92	A++	6.12	229	

### HEATING

Unit	Indoor Index					Heating Capacity [W]					Capacity			Power Consumption			Current			Effic. STD. Heating. At 7°C / 20°C	SEASONAL EFFICIENCY (ACCORDING EN14825)			Qhe
	A	B	C	D	E	A	B	C	D	E	W			W			A				COP	Class	SCOP	
											MIN	STD	MAX	MIN	STD	MAX	MIN	STD	MAX					
2	7	7				2200	2200				1000	4400	4700	280	1160	1390	1.4	5.3	6.4	3.79	A+	4.3	3.05	995
	7	9				1760	2640				1000	4400	4700	280	1160	1400	1.4	5.3	6.4	3.79	A+	4.0	3.05	1068
	7	12				1560	2840				1000	4400	4700	280	1160	1400	1.4	5.3	6.4	3.79	A+	4.0	3.05	1068
	9	9				2200	2200				1000	4400	4700	280	1160	1400	1.4	5.3	6.4	3.79	A+	4.0	3.05	1068
	9	12				1990	2410				1000	4400	4700	280	990	1400	1.4	4.5	6.4	4.44	A	3.9	3.05	1095

### NOTE

- EER and COP declared only for the purpose of tax deductions in force at the time of the creation of this catalog.
- The above is the value for connecting with the following indoor units.
  - A3050 Best : AR09/12JSPFBWKNEU
  - A3050 Better : AR07/09/12KSPDBWKNEU
- You can not connect a single unit.
- Power consumption include indoor unit power.

# 4. Combination Table

## 4-2. AJ050MCJ2EH/EU

### COOLING

Unit	Indoor Index					Cooling Capacity [W]					Capacity			Power Consumption			Current			Effic. STD. Cooling. At 35 °C / 27 °C	SEASONAL EFFICIENCY (ACCORDING EN14825)			Qce
	A	B	C	D	E	A	B	C	D	E	W			W			A				EER	Class	SEER	
											MIN	STD	MAX	MIN	STD	MAX	MIN	STD	MAX					
2	7	7				2000	2000				1300	4000	4800	350	1245	1490	1.9	5.7	6.8	3.21	A+	6.07	231	
	7	9				2040	2560				1300	4600	5200	350	1430	1720	1.9	6.5	7.9	3.22	A+	6.08	265	
	7	12				1820	3180				1400	5000	5400	350	1490	1780	1.9	6.8	8.1	3.36	A++	6.11	287	
	7	18				1430	3570				1400	5000	5400	350	1450	1800	1.9	6.6	8.2	3.45	A++	6.13	286	
	9	9				2500	2500				1400	5000	5400	350	1500	1780	1.9	6.9	8.1	3.33	A++	6.40	274	
	9	12				2080	2920				1400	5000	5400	350	1500	1780	1.9	6.9	8.1	3.33	A++	6.29	278	
	9	18				1670	3330				1400	5000	5400	350	1450	1700	1.9	6.6	7.8	3.45	A++	6.23	281	
	12	12				2500	2500				1400	5000	5400	350	1500	1780	1.9	6.9	8.1	3.33	A++	6.10	287	
12	18				2060	2940				1400	5000	5400	350	1320	1700	1.9	6.0	7.8	3.79	A++	6.30	278		

### HEATING

Unit	Indoor Index					Heating Capacity [W]					Capacity			Power Consumption			Current			Effic. STD. Heating. At 7°C / 20°C	SEASONAL EFFICIENCY (ACCORDING EN14825)			Qhe
	A	B	C	D	E	A	B	C	D	E	W			W			A				COP	Class	SCOP	
											MIN	STD	MAX	MIN	STD	MAX	MIN	STD	MAX					
2	7	7				2200	2200				1100	4400	4750	280	1220	1390	1.4	5.6	6.4	3.61	A+	4.00	3.05	1068
	7	9				2040	3060				1100	5100	5460	280	1410	1610	1.4	6.5	7.4	3.62	A+	4.00	4.21	1471
	7	12				2020	3680				1100	5700	6300	280	1520	1900	1.4	7.0	8.7	3.75	A+	4.00	4.21	1471
	7	18				1530	4170				1100	5700	6400	280	1440	1800	1.4	6.6	8.2	3.96	A	3.86	4.07	1478
	9	9				2850	2850				1100	5700	6300	208	1550	1940	1.4	7.1	8.9	3.68	A+	4.01	4.21	1467
	9	12				2580	3120				1100	5700	6300	280	1550	1850	1.4	7.1	8.5	3.68	A+	4.01	4.21	1470
	9	18				2020	3680				1100	5700	6400	280	1440	1750	1.4	6.6	8.0	3.96	A	3.86	4.07	1478
	12	12				2850	2850				1100	5700	6300	280	1470	1840	1.4	6.7	8.4	3.88	A	3.86	4.07	1478
12	18				2280	3420				1100	5700	6400	280	1350	1750	1.4	6.2	8.0	4.22	A	3.86	4.07	1478	

### NOTE

- EER and COP declared only for the purpose of tax deductions in force at the time of the creation of this catalog.
- The above is the value for connecting with the following indoor units.
  - A3050 Best : AR09/12JSPFBWKNEU
  - A3050 Better : AR07/09/12KSPDBWKNEU, AR18MSPDBWKNEU
- You can not connect a single unit.
- Power consumption include indoor unit power.



# 4. Combination Table

## 4-3. AJ052MCJ3EH/EU

### COOLING

Unit	Indoor Index					Cooling Capacity [W]					Capacity			Power Consumption			Current			Effic. STD. Cooling. At 35°C / 27°C	SEASONAL EFFICIENCY (ACCORDING EN14825)			Qce
	A	B	C	D	E	A	B	C	D	E	W			W			A				EER	Class	SEER	
	MIN	STD	MAX	MIN	STD	MAX	MIN	STD	MAX															
2	7	7				2000	2000				1100	4000	4800	320	1240	1630	2.0	5.7	7.5	3.23	A+	6.08	230	
	7	9				2040	2560				1100	4600	5520	320	1410	1850	2.0	6.5	8.5	3.26	A+	6.02	267	
	7	12				1820	3180				1100	5000	6290	320	1520	2000	2.0	7.0	9.2	3.29	A++	6.12	286	
	7	18				1490	3710				1200	5200	6600	320	1540	2040	2.0	7.0	9.3	3.38	A+	5.95	306	
	9	9				2500	2500				1100	5000	5800	320	1470	1980	2.0	6.7	9.1	3.40	A++	6.40	273	
	9	12				2080	2920				1100	5000	6400	320	1510	2020	2.0	6.9	9.2	3.31	A++	6.13	286	
	9	18				1730	3470				1200	5200	6800	320	1540	2070	2.0	7.0	9.5	3.38	A+	5.95	306	
3	7	7	7			1730	1730	1740			1450	5200	6380	330	1500	2020	2.0	6.9	9.2	3.47	A+	5.78	315	
	7	7	9			1600	1600	2000			1450	5200	6490	330	1530	2040	2.0	7.0	9.3	3.40	A+	5.77	315	
	7	7	12			1390	1390	2420			1450	5200	6800	330	1420	2070	2.0	6.5	9.5	3.66	A+	5.81	313	
	7	9	9			1480	1860	1860			1450	5200	6600	330	1390	2040	2.0	6.4	9.3	3.74	A+	5.83	312	
	7	9	12			1300	1630	2270			1450	5200	6800	330	1420	2070	2.0	6.5	9.5	3.66	A+	5.81	313	
	9	9	9			1730	1730	1740			1450	5200	6800	330	1350	2070	2.0	6.2	9.5	3.85	A+	5.84	312	
	9	9	12			1530	1530	2140			1450	5200	6800	330	1350	2070	2.0	6.5	9.5	3.85	A++	6.11	298	

### HEATING

Unit	Indoor Index					Heating Capacity [W]					Capacity			Power Consumption			Current			Effic. STD. Heating. At 7°C / 20°C	SEASONAL EFFICIENCY (ACCORDING EN14825)				Qhe
	A	B	C	D	E	A	B	C	D	E	W			W			A				COP	Class	SCOP	Pdesign	
	MIN	STD	MAX	MIN	STD	MAX	MIN	STD	MAX																
2	7	7				2200	2200				950	4400	5060	280	1220	1510	1.7	5.6	6.9	3.61	A+	4.00	3.05	1068	
	7	9				2040	3060				950	5100	5870	280	1410	1830	1.7	6.5	8.4	3.62	A	3.95	4.21	1490	
	7	12				1990	3610				950	5600	6440	280	1540	1860	1.7	7.0	8.5	3.64	A	3.94	4.91	1741	
	7	18				1610	4390				950	6000	6900	280	1660	1860	1.7	7.6	8.5	3.61	A	3.88	4.28	1545	
	9	9				2900	2900				950	5800	6300	280	1600	1910	1.7	7.3	8.7	3.63	A+	4.01	4.91	1715	
	9	12				2620	3180				950	5800	6300	280	1600	1910	1.7	7.3	8.7	3.63	A	3.94	4.91	1741	
	9	18				2240	4060				950	6300	7300	280	1740	1830	1.7	8.0	8.4	3.62	A	3.88	4.28	1545	
3	7	7	7			1930	1930	1940			1000	5800	6760	280	1590	1840	1.7	7.3	8.4	3.65	A	3.90	4.91	1760	
	7	7	9			1690	1690	2520			1000	5900	6840	280	1650	1840	1.7	7.6	8.4	3.58	A	3.90	4.91	1760	
	7	7	12			1650	1650	3000			1000	6300	7300	280	1660	1830	1.7	7.6	8.4	3.80	A	3.90	4.91	1760	
	7	9	9			1500	2250	2250			1000	6000	6920	280	1590	1840	1.7	7.3	8.4	3.77	A	3.90	4.91	1760	
	7	9	12			1460	2190	2650			1000	6300	7300	280	1630	1830	1.7	7.5	8.4	3.87	A	3.90	4.91	1760	
	9	9	9			2100	2100	2100			1000	6300	7300	280	1400	1830	1.7	6.4	8.4	4.50	A	3.90	4.91	1760	
	9	9	12			1850	1850	2600			1000	6300	7300	280	1400	1830	1.7	6.4	8.4	4.50	A	3.90	4.91	1762	

### NOTE

- EER and COP declared only for the purpose of tax deductions in force at the time of the creation of this catalog.
- The above is the value for connecting with the following indoor units.
  - A3050 Best : AR09/12JSPFBWKNEU
  - A3050 Better : AR07/09/12KSPDBWKNEU, AR18MSPDBWKNEU
- You can not connect a single unit.
- Power consumption include indoor unit power.

# 4. Combination Table

## 4-4. AJ068MCJ3EH/EU

### COOLING

Unit	Indoor Index					Cooling Capacity [W]					Capacity			Power Consumption			Current			Effic. STD. Cooling. At 35°C / 27°C	SEASONAL EFFICIENCY (ACCORDING EN14825)		Qce
	A	B	C	D	E	A	B	C	D	E	W			W			A				EER	Class	
	MIN			STD			MAX			MIN			STD			MAX							
2	7	7				2000	2000				1300	4000	4800	420	1240	1480	2.3	5.7	6.8	3.23	A+	5.96	235
	7	9				2000	2500				1300	4500	5520	420	1410	1680	2.3	6.5	7.7	3.19	A+	5.88	268
	7	12				2000	3500				1300	5500	6550	420	1830	2470	2.3	8.4	11.3	3.01	A+	5.66	340
	7	18				1860	4640				1300	6500	7740	420	2000	2690	2.3	9.2	12.3	3.25	A+	6.04	377
	9	9				2500	2500				1300	5000	5950	420	1660	2260	2.3	7.6	10.3	3.01	A+	5.95	294
	9	12				2500	3500				1300	6000	7140	420	1980	2670	2.3	9.1	12.2	3.03	A+	5.90	356
	9	18				2270	4530				1380	6800	8090	430	2090	2660	2.3	9.6	12.2	3.25	A+	6.02	395
	12	12				3250	3250				1300	6500	7740	420	2010	2700	2.3	9.2	12.4	3.23	A+	6.02	378
	12	18				2800	4000				1380	6800	8090	430	2100	2670	2.3	9.6	12.2	3.24	A+	6.02	394
	18	18				3400	3400				1380	6800	8090	430	2060	2660	2.3	9.4	12.2	3.30	A+	6.06	393
3	7	7	7			2000	2000	2000			1800	6000	7400	440	1970	2650	2.3	9.0	12.1	3.05	A+	6.00	350
	7	7	9			2000	2000	2500			1800	6500	8000	440	2000	2690	2.3	9.2	12.3	3.25	A++	6.11	372
	7	7	12			1810	1810	3180			1800	6800	8400	440	2070	2700	2.3	9.5	12.4	3.29	A+	6.07	392
	7	7	18			1510	1510	3780			1800	6800	8400	440	2000	2690	2.3	9.2	12.3	3.40	A+	6.09	391
	7	9	9			1860	2320	2320			1800	6500	8000	440	2030	2690	2.3	9.3	12.3	3.20	A++	6.10	373
	7	9	12			1700	2130	2970			1800	6800	8400	440	2090	2690	2.3	9.6	12.3	3.25	A+	6.06	393
	7	9	18			1430	1790	3580			1800	6800	8400	440	2010	2690	2.3	9.2	12.3	3.38	A+	6.08	391
	7	12	12			1520	2640	2640			1800	6800	8400	440	2010	2700	2.3	9.2	12.4	3.38	A+	6.08	391
	7	12	18			1300	2270	3230			1800	6800	8400	440	2050	2700	2.3	9.4	12.4	3.32	A+	6.07	392
	9	9	9			2260	2270	2270			1800	6800	8400	440	2060	2690	2.3	9.4	12.3	3.30	A+	6.07	392
	9	9	12			2000	2000	2800			1800	6800	8400	440	2130	2700	2.3	9.7	12.4	3.19	A+	6.04	394
	9	9	18			1700	1700	3400			1800	6800	8400	440	2030	2690	2.3	9.3	12.3	3.35	A+	6.08	392
	9	12	12			1780	2510	2510			1800	6800	8400	440	2020	2700	2.3	9.2	12.4	3.37	A+	6.08	391
	9	12	18			1550	2160	3090			1800	6800	8400	440	2070	2700	2.3	9.5	12.4	3.29	A+	6.07	392
12	12	12			2260	2270	2270			1800	6800	8400	440	2000	2710	2.3	9.2	12.4	3.40	A+	6.09	391	

# 4. Combination Table

## 4-4. AJ068MCJ3EH/EU

### HEATING

Unit	Indoor Index					Heating Capacity [W]					Capacity			Power Consumption			Current			Effic. STD. Heating. At 7°C / 20°C	SEASONAL EFFICIENCY (ACCORDING EN14825)			Qhe
	A	B	C	D	E	A	B	C	D	E	W			W			A				COP	Class	SCOP	
											MIN	STD	MAX	MIN	STD	MAX	MIN	STD	MAX					
2	7	7				2200	2200				1400	4400	5060	380	1220	1600	1.9	5.6	7.3	3.61	A+	4.00	3.05	1068
	7	9				2200	3300				1400	5500	6330	380	1490	2000	1.9	6.8	9.2	3.69	A	3.95	4.21	1489
	7	12				2200	4000				1400	6200	7130	380	1670	2300	1.9	7.6	10.5	3.71	A	3.88	4.52	1632
	7	18				2090	5710				1400	7800	8970	380	1990	2700	1.9	9.1	12.4	3.92	A+	4.02	5.65	1969
	9	9				3300	3300				1400	6600	7590	380	1890	2600	1.9	8.6	11.9	3.49	A+	4.00	4.91	1715
	9	12				3300	4000				1400	7300	8400	380	1950	2600	1.9	8.9	11.9	3.74	A	3.95	5.09	1801
	9	18				2770	5030				1400	7800	8970	380	2040	2800	1.9	9.3	12.8	3.82	A+	4.00	5.09	1779
	12	12				3900	3900				1400	7800	8970	380	1990	2700	1.9	9.1	12.4	3.92	A+	4.00	5.09	1779
	12	18				3200	4800				1400	8000	9200	380	2090	2800	1.9	9.6	12.8	3.83	A+	4.00	5.09	1779
18	18				4000	4000				1400	8000	9200	380	2080	2800	1.9	9.5	12.8	3.85	A+	4.02	5.65	1971	
3	7	7	7			2200	2200	2200			1400	6600	8100	380	1760	2400	1.9	8.1	11.0	3.75	A	3.93	5.65	2012
	7	7	9			2200	2200	3300			1400	7700	9500	380	1830	2500	1.9	8.4	11.4	4.21	A	3.93	5.65	2012
	7	7	12			2100	2100	3800			1400	8000	9800	380	1920	2600	1.9	8.8	11.9	4.17	A	3.95	5.65	2002
	7	7	18			1690	1690	4620			1400	8000	9800	380	1960	2600	1.9	9.0	11.9	4.08	A	3.95	5.65	2002
	7	9	9			2000	3000	3000			1400	8000	9800	380	1880	2500	1.9	8.6	11.4	4.26	A+	4.00	5.65	1976
	7	9	12			1850	2780	3370			1400	8000	9800	380	1910	2600	1.9	8.7	11.9	4.19	A	3.95	5.65	2002
	7	9	18			1530	2300	4170			1400	8000	9800	380	1920	2600	1.9	8.8	11.9	4.17	A	3.95	5.65	2002
	7	12	12			1720	3140	3140			1400	8000	9800	380	1960	2600	1.9	9.0	11.9	4.08	A	3.95	5.65	2002
	7	12	18			1450	2620	3930			1400	8000	9800	380	1950	2600	1.9	8.9	11.9	4.10	A	3.95	5.65	2002
	9	9	9			2660	2670	2670			1400	8000	9800	380	1930	2600	1.9	8.8	11.9	4.15	A	3.95	5.65	2002
	9	9	12			2490	2490	3020			1400	8000	9800	380	1910	2600	1.9	8.7	11.9	4.19	A+	4.00	5.65	1978
	9	9	18			2100	2100	3800			1400	8000	9800	380	1950	2600	1.9	8.9	11.9	4.10	A+	4.00	5.65	1978
	9	12	12			2340	2830	2830			1400	8000	9800	380	1930	2600	1.9	8.8	11.9	4.15	A	3.95	5.65	2002
	9	12	18			1980	2410	3610			1400	8000	9800	380	1980	2700	1.9	9.1	12.4	4.04	A	3.95	5.65	2002
12	12	12			2660	2670	2670			1400	8000	9800	380	1910	2600	1.9	8.7	11.9	4.19	A+	4.00	5.65	1978	

### NOTE

- EER and COP declared only for the purpose of tax deductions in force at the time of the creation of this catalog.
- The above is the value for connecting with the following indoor units.
  - A3050 Best : AR09/12JSPFBWKNEU
  - A3050 Better : AR07/09/12KSPDBWKNEU, AR18MSPDBWKNEU
- You can not connect a single unit.
- Power consumption include indoor unit power.

# 4. Combination Table

## 4-5. AJ070MCJ4EH/EU

### COOLING

Unit	Indoor Index					Cooling Capacity [W]					Capacity			Power Consumption			Current			Effic. STD. Cooling. At 35°C / 27°C	"SEASONAL EFFICIENCY (ACCORDING EN14825)"		Qce kWh
	A	B	C	D	E	A	B	C	D	E	W			W			A				EER	Class	
	MIN			STD			MAX			MIN			STD			MAX							
2	7	7				2000	2000				1500	4000	4800	410	1240	1490	1.9	5.7	6.8	3.23	A+	5.86	239
	7	9				2040	2560				1690	4600	5520	420	1430	1720	1.9	6.5	7.9	3.22	A+	5.83	276
	7	12				2000	3500				1770	5500	6600	430	1710	2050	2.0	7.8	9.4	3.22	A+	5.61	343
	7	18				2000	5000				1900	7000	8400	580	2180	2520	2.7	10.0	11.5	3.21	A	5.40	454
	9	9				2600	2600				1750	5200	6240	420	1660	2000	1.9	7.6	9.2	3.13	A+	5.89	309
	9	12				2540	3560				1820	6100	7320	440	1880	2260	2.0	8.6	10.3	3.24	A+	5.80	368
	9	18				2330	4670				1900	7000	8400	580	2180	2540	2.7	10.0	11.6	3.21	A	5.40	454
	12	12				3500	3500				1900	7000	8000	580	2490	2620	2.7	11.4	12.0	2.81	A	5.30	462
	12	18				2880	4120				1900	7000	8900	580	2110	2540	2.7	9.7	11.6	3.32	A	5.48	447
18	18				3500	3500				1900	7000	8900	580	2000	2540	2.7	9.2	11.6	3.5	A	5.43	451	
3	7	7	7			2000	2000	2000			1810	6000	7200	440	1800	2280	2.0	8.2	10.4	3.33	A	5.43	387
	7	7	9			2030	2030	2540			1870	6600	7920	440	1830	2460	2.0	8.4	11.3	3.61	A	5.59	413
	7	7	12			1780	1780	3120			1900	6680	8020	580	1835	2410	2.7	8.4	11.0	3.64	A	5.31	441
	7	7	18			1560	1560	3880			1900	7000	8900	580	1850	2460	2.7	8.5	11.3	3.78	A+	5.62	436
	7	9	9			1910	2370	2370			1900	6650	7980	580	1830	2410	2.7	8.4	11.0	3.63	A+	5.60	415
	7	9	12			1690	2110	2940			1900	6740	8080	580	1840	2460	2.7	8.4	11.3	3.66	A	5.32	444
	7	9	18			1480	1840	3680			1900	7000	8900	580	1880	2460	2.7	8.6	11.3	3.72	A+	5.61	437
	7	12	12			1520	2650	2650			1900	6820	8180	580	1850	2510	2.7	8.5	11.5	3.69	A	5.58	428
	7	12	18			1340	2330	3330			1900	7000	8900	580	1930	2510	2.7	8.8	11.5	3.63	A	5.59	438
	9	9	9			2240	2240	2240			1900	6720	8050	580	1840	2420	2.7	8.4	11.1	3.65	A	5.31	433
	9	9	12			2000	2000	2790			1900	6790	8150	580	1850	2460	2.7	8.5	11.3	3.67	A	5.32	446
	9	9	18			1750	1750	3500			1900	7000	8900	580	1880	2510	2.7	8.6	11.5	3.72	A+	5.61	437
	9	12	12			1840	2580	2580			1900	7000	8900	580	1880	2460	2.7	8.6	11.3	3.72	A+	5.61	437
12	12	12			2330	2330	2330			1900	6990	8900	580	1900	2510	2.7	8.7	11.5	3.68	A+	5.60	437	
4	7	7	7	7		1680	1680	1680	1680		1900	6720	8070	580	1850	2460	2.7	8.5	11.3	3.63	A	5.56	423
	7	7	7	9		1600	1600	1600	1980		1900	6780	8140	580	1880	2460	2.7	8.6	11.3	3.61	A	5.57	426
	7	7	7	12		1470	1470	1470	2590		1900	7000	8900	580	1900	2460	2.7	8.7	11.3	3.68	A+	5.61	437
	7	7	9	9		1560	1560	1940	1940		1900	7000	8900	580	1880	2460	2.7	8.6	11.3	3.72	A+	5.61	437
	7	7	9	12		1400	1400	1750	2450		1900	7000	8900	580	1900	2510	2.7	8.7	11.5	3.68	A+	5.61	437
	7	9	9	9		1480	1840	1840	1840		1900	7000	8900	580	1900	2460	2.7	8.7	11.3	3.68	A+	5.61	437
	7	9	9	12		1330	1670	1670	2330		1900	7000	8900	580	1930	2550	2.7	8.8	11.7	3.63	A+	5.60	438
9	9	9	9		1750	1750	1750	1750		1900	7000	8900	580	1900	2550	2.7	8.7	11.7	3.68	A+	5.61	437	

# 4. Combination Table

## 4-5. AJ070MCJ4EH/EU

### HEATING

Unit	Indoor Index					Heating Capacity [W]					Capacity			Power Consumption			Current			Effic. STD. Heating. At 7°C / 20°C	SEASONAL EFFICIENCY (ACCORDING EN14825)			Qhe
	A	B	C	D	E	A	B	C	D	E	W			W			A				COP	Class	SCOP	
	MIN	STD	MAX	MIN	STD	MAX	MIN	STD	MAX															
2	7	7				2200	2200				1980	4400	5060	600	1220	1530	2.7	5.6	7.0	3.61	A+	4.00	3.05	1068
	7	9				2040	3060				2040	5100	5870	610	1410	1700	2.8	6.5	7.8	3.62	A	3.95	4.21	1490
	7	12				2130	3870				2110	6000	6900	610	1760	2110	2.8	8.1	9.7	3.41	A	3.96	4.91	1737
	7	18				2090	5710				2200	7800	9130	620	2160	2700	2.8	9.9	12.4	3.61	A	3.80	5.09	1876
	9	9				2900	2900				2100	5800	6670	610	1600	1930	2.8	7.3	8.8	3.63	A+	4.00	4.91	1717
	9	12				3030	3670				2170	6700	8040	610	1940	2330	2.8	8.9	10.7	3.45	A	3.96	4.91	1736
	9	18				2770	5030				2200	7800	9600	620	2160	2650	2.8	9.9	12.1	3.61	A	3.80	5.09	1876
	12	12				3800	3800				2200	7600	9120	620	2180	2510	2.8	10.0	11.5	3.49	A	3.80	5.09	1877
	12	18				3250	4870				2200	8120	9740	620	2250	2700	2.8	10.3	12.4	3.61	A	3.80	5.09	1876
18	18				4250	4250				2200	8500	10200	620	2250	2740	2.8	10.3	12.5	3.78	A	3.80	5.09	1877	
3	7	7	7			2200	2200	2200			2170	6600	7590	610	1830	2530	2.8	8.4	11.6	3.61	A	3.93	5.65	2012
	7	7	9			2090	2090	3120			2200	7300	8400	620	1880	2590	2.8	8.6	11.9	3.88	A	3.80	5.88	2164
	7	7	12			2150	2150	3900			2200	8200	9590	620	1930	2660	2.8	8.8	12.2	4.25	A	3.80	5.88	2164
	7	7	18			1820	1820	4960			2200	8600	10300	620	1960	2700	2.8	9.0	12.4	4.39	A	3.80	5.88	2164
	7	9	9			2000	3000	3000			2200	8000	9360	620	1900	2620	2.8	8.7	12.0	4.21	A	3.80	5.88	2164
	7	9	12			1910	2870	3480			2200	8260	9670	620	1930	2660	2.8	8.8	12.2	4.28	A	3.80	5.88	2164
	7	9	18			1650	2470	4480			2200	8600	10300	620	1970	2720	2.8	9.0	12.4	4.37	A	3.80	5.88	2164
	7	12	12			1800	3270	3270			2200	8340	9760	620	1950	2690	2.8	8.9	12.3	4.28	A	3.80	5.88	2164
	7	12	18			1550	2820	4230			2200	8600	10300	620	2000	2760	2.8	9.2	12.6	4.30	A	3.80	5.88	2164
	9	9	9			2750	2750	2750			2200	8250	9650	620	1930	2660	2.8	8.8	12.2	4.27	A	3.80	5.88	2164
	9	9	12			2600	2600	3130			2200	8330	9740	620	1950	2690	2.8	8.9	12.3	4.27	A	3.80	5.88	2164
	9	9	18			2250	2250	4100			2200	8600	10300	620	1980	2730	2.8	9.1	12.5	4.34	A	3.80	5.88	2164
	9	12	12			2520	3040	3040			2200	8600	10300	620	1980	2730	2.8	9.1	12.5	4.34	A	3.80	5.88	2164
12	12	12			2860	2870	2870			2200	8600	10300	620	2000	2760	2.8	9.2	12.6	4.30	A	3.80	5.88	2164	
4	7	7	7	7		2060	2060	2060	2070		2200	8250	9660	620	1930	2660	2.8	8.8	12.2	4.27	A	3.83	5.88	2148
	7	7	7	9		1850	1850	1850	2770		2200	8320	9730	620	1950	2690	2.8	8.9	12.3	4.27	A	3.83	5.88	2148
	7	7	7	12		1790	1790	1790	3230		2200	8600	10300	620	2000	2760	2.8	9.2	12.6	4.30	A	3.83	5.88	2148
	7	7	9	9		1720	1720	2580	2580		2200	8600	10300	620	1970	2720	2.8	9.0	12.4	4.37	A	3.83	5.88	2148
	7	7	9	12		1620	1620	2430	2930		2200	8600	10300	620	2000	2760	2.8	9.2	12.6	4.30	A	3.83	5.88	2148
	7	9	9	9		1550	2350	2350	2350		2200	8600	10300	620	2000	2760	2.8	9.2	12.6	4.30	A	3.83	5.88	2148
	7	9	9	12		1480	2220	2220	2680		2200	8600	10300	620	2000	2760	2.8	9.2	12.6	4.30	A	3.83	5.88	2148
	9	9	9	9		2150	2150	2150	2150		2200	8600	10300	620	2000	2760	2.8	9.2	12.6	4.30	A	3.83	5.88	2148

### NOTE

- EER and COP declared only for the purpose of tax deductions in force at the time of the creation of this catalog.
- The above is the value for connecting with the following indoor units.
  - A3050 Best : AR09/12JSPFBWKNEU
  - A3050 Better : AR07/09/12KSPDBWKNEU, AR18MSPDBWKNEU
- You can not connect a single unit.
- Power consumption include indoor unit power.

# 4. Combination Table

## 4-6. AJ080MCJ4EH/EU

### COOLING

Unit	Indoor Index					Cooling Capacity [W]					Capacity			Power Consumption			Current			Effic. STD. Cooling. At 35°C / 27°C	SEASONAL EFFICIENCY (ACCORDING EN14825)		Qce
	A	B	C	D	E	A	B	C	D	E	W			W			A				EER	Class	
	MIN	STD	MAX	MIN	STD	MAX	MIN	STD	MAX														
2	7	7				2000	2000				1640	4000	4800	410	1240	1490	1.9	5.7	6.8	3.23	A+	5.86	239
	7	9				2040	2560				1690	4600	5520	420	1430	1720	1.9	6.5	7.9	3.22	A+	5.83	276
	7	12				2000	3500				1770	5500	6600	430	1710	2050	2.0	7.8	9.4	3.22	A+	5.61	343
	7	18				2060	5140				1900	7200	8640	580	2240	2690	2.7	10.3	12.3	3.21	A	5.40	466
	7	24				1690	5760				1900	7450	8640	580	2350	2730	2.7	10.8	12.5	3.17	A	5.25	496
	9	9				2600	2600				1750	5200	6240	420	1660	2000	1.9	7.6	9.2	3.13	A+	5.89	309
	9	12				2540	3560				1820	6100	7320	440	1900	2260	2.0	8.7	10.3	3.21	A+	5.77	370
	9	18				2400	4800				1900	7200	8640	580	2240	2690	2.7	10.3	12.3	3.21	A	5.40	466
	9	24				2030	5520				1900	7550	8760	580	2380	2760	2.7	10.9	12.6	3.17	A	5.24	504
	12	12				3500	3500				1900	7000	8000	580	2490	2620	2.7	11.4	12.0	2.81	A	5.30	462
	12	18				3030	4320				1900	7350	8820	580	2290	2750	2.7	10.5	12.6	3.21	A	5.42	475
	12	24				2620	5080				1900	7700	8930	580	2400	2780	2.7	11.0	12.7	3.21	A	5.28	515
18	18				3830	3830				1900	7660	9180	580	2380	2860	2.7	10.9	13.1	3.22	A	5.22	513	
18	24				3310	4490				1900	7800	8970	580	2430	2820	2.7	11.1	12.9	3.21	A	5.23	522	
3	7	7	7			2000	2000	2000			1810	6000	7200	440	1850	2310	2.0	8.5	10.6	3.24	A	5.36	392
	7	7	9			2030	2030	2540			1870	6600	7920	440	2000	2500	2.0	9.2	11.4	3.3	A	5.54	417
	7	7	12			1920	1920	3360			1900	7200	9000	580	2290	2780	2.7	10.5	12.7	3.14	A	5.27	478
	7	7	18			1680	1680	4190			1900	7550	9180	580	2260	2730	2.7	10.3	12.5	3.34	A	5.34	495
	7	7	24			1480	1480	5040			1900	8000	9300	580	2340	2870	2.7	10.7	13.1	3.42	A	5.39	519
	7	9	9			2000	2500	2500			1900	7000	8640	580	2220	2680	2.7	10.2	12.3	3.15	A	5.21	470
	7	9	12			1830	2280	3200			1900	7310	9060	580	2220	2690	2.7	10.2	12.3	3.29	A	5.31	482
	7	9	18			1610	2010	4030			1900	7650	9250	580	2260	2730	2.7	10.3	12.5	3.38	A	5.36	500
	7	9	24			1420	1770	4810			1900	8000	9300	580	2340	2870	2.7	10.7	13.1	3.42	A	5.39	519
	7	12	12			1680	2930	2930			1900	7540	9160	580	2260	2730	2.7	10.3	12.5	3.34	A	5.34	494
	7	12	18			1500	2630	3750			1900	7880	9300	580	2330	2820	2.7	10.7	12.9	3.38	A	5.37	513
	7	18	18			1330	3330	3330			1900	8000	9300	580	2370	2910	2.7	10.8	13.3	3.38	A	5.39	520
	9	9	9			2400	2400	2400			1900	7200	9030	580	2180	2640	2.7	10.0	12.1	3.3	A	5.30	475
	9	9	12			2180	2180	3060			1900	7420	9130	580	2210	2690	2.7	10.1	12.3	3.36	A	5.33	487
	9	9	18			1940	1940	3890			1900	7770	9300	580	2280	2780	2.7	10.4	12.7	3.41	A	5.37	507
	9	9	24			1690	1690	4610			1900	8000	9300	580	2370	2910	2.7	10.8	13.3	3.38	A	5.39	520
	9	12	12			2010	2820	2820			1900	7650	9230	580	2250	2730	2.7	10.3	12.5	3.4	A	5.36	499
	9	12	18			1820	2550	3640			1900	8000	9300	580	2330	2870	2.7	10.7	13.1	3.43	A	5.39	519
12	12	12			2630	2630	2630			1900	7890	9300	580	2330	2820	2.7	10.7	12.9	3.39	A	5.38	514	
12	12	18			2330	2330	3330			1900	8000	9300	580	2370	2910	2.7	10.8	13.3	3.38	A	5.39	520	
4	7	7	7	7		1830	1830	1830	1830		1900	7320	9050	580	2210	2690	2.7	10.1	12.3	3.31	A	5.26	487
	7	7	7	9		1750	1750	1750	2190		1900	7440	9120	580	2210	2690	2.7	10.1	12.3	3.37	A	5.28	493
	7	7	7	12		1610	1610	1610	2820		1900	7650	9220	580	2250	2730	2.7	10.3	12.5	3.4	A	5.36	500
	7	7	7	18		1450	1450	1450	3650		1900	8000	9300	580	2300	2870	2.7	10.5	13.1	3.48	A	5.40	518
	7	7	9	9		1680	1680	2090	2090		1900	7540	9180	580	2260	2730	2.7	10.3	12.5	3.34	A	5.33	495
	7	7	9	12		1550	1550	1940	2720		1900	7760	9280	580	2270	2780	2.7	10.4	12.7	3.42	A	5.37	506
	7	7	9	18		1390	1390	1740	3480		1900	8000	9300	580	2300	2870	2.7	10.5	13.1	3.48	A	5.40	518
	7	7	12	12		1450	1450	2550	2550		1900	8000	9300	580	2350	2870	2.7	10.8	13.1	3.4	A	5.39	520
	7	9	9	9		1610	2010	2010	2010		1900	7650	9250	580	2260	2730	2.7	10.3	12.5	3.38	A	5.35	500
	7	9	9	12		1500	1880	1880	2630		1900	7890	9300	580	2330	2820	2.7	10.7	12.9	3.39	A	5.38	514
	7	9	9	18		1330	1670	1670	3330		1900	8000	9300	580	2300	2910	2.7	10.5	13.3	3.48	A	5.40	518
	7	9	12	12		1400	1740	2430	2430		1900	8000	9300	580	2300	2870	2.7	10.5	13.1	3.48	A	5.40	518
	9	9	9	9		1940	1940	1940	1940		1900	7760	9300	580	2290	2780	2.7	10.5	12.7	3.39	A	5.36	506
	9	9	9	12		1820	1820	1820	2540		1900	8000	9300	580	2300	2870	2.7	10.5	13.1	3.48	A	5.40	518
9	9	12	12		1670	1670	2330	2330		1900	8000	9300	580	2300	2910	2.7	10.5	13.3	3.48	A	5.40	518	

# 4. Combination Table

## 4-6. AJ080MCJ4EH/EU

### HEATING

Unit	Indoor Index					Heating Capacity [W]					Capacity			Power Consumption			Current			Effic. STD. Heating. At 7°C / 20°C	SEASONAL EFFICIENCY (ACCORDING EN14825)			Qhe
	A	B	C	D	E	A	B	C	D	E	W			W			A				COP	Class	SCOP	
	MIN	STD	MAX	MIN	STD	MAX	MIN	STD	MAX	MIN	STD	MAX	MIN	STD	MAX	COP	Class	SCOP	Pdesign	kWh				
2	7	7				2200	2200				1980	4400	5060	600	1220	1530	2.7	5.6	70	3.61	A+	4.00	3.05	1068
	7	9				2040	3060				2040	5100	5870	610	1410	1700	2.8	6.5	78	3.62	A	3.95	4.21	1490
	7	12				2130	3870				2110	6000	6900	610	1760	2110	2.8	8.1	97	3.41	A	3.95	4.91	1737
	7	18				2090	5710				2200	7800	9130	620	2160	2580	2.8	9.9	118	3.61	A	3.80	5.09	1874
	7	24				1790	6330				2200	8120	9300	620	2250	2600	2.8	10.3	119	3.61	A	3.80	5.20	1917
	9	9				2900	2900				2100	5800	6670	610	1600	1930	2.8	7.3	8.8	3.63	A+	4.00	4.91	1717
	9	12				3030	3670				2170	6700	7710	610	1940	2330	2.8	8.9	10.7	3.45	A	3.95	4.91	1737
	9	18				2770	5030				2200	7800	9360	620	2160	2600	2.8	9.9	11.9	3.61	A	3.80	5.09	1875
	9	24				2480	5870				2200	8350	9600	620	2340	2700	2.8	10.7	12.4	3.57	A	3.80	5.20	1918
	12	12				3800	3800				2200	7600	8740	620	2180	2510	2.8	10.0	11.5	3.49	A	3.80	5.09	1877
	12	18				3250	4870				2200	8120	9500	620	2250	2650	2.8	10.3	12.1	3.61	A	3.80	5.09	1876
	12	24				2860	5590				2200	8450	9700	620	2380	2700	2.8	10.9	12.4	3.55	A	3.81	5.09	1869
	18	18				4250	4250				2200	8500	9950	620	2340	2750	2.8	10.7	12.6	3.63	A	3.80	5.88	2164
	18	24				3760	4890				2200	8650	9900	620	2420	2800	2.8	11.1	12.8	3.57	A	3.80	5.88	2164
3	7	7	7			2200	2200	2200			2170	6600	7590	610	1830	2220	2.8	8.4	10.2	3.61	A	3.93	5.65	2012
	7	7	9			2090	2090	3120			2200	7300	8400	620	1950	2340	2.8	8.9	10.7	3.74	A	3.80	5.88	2164
	7	7	12			2150	2150	3900			2200	8200	9590	620	2150	2570	2.8	9.8	11.8	3.81	A	3.80	5.88	2164
	7	7	18			1820	1820	4980			2200	8620	10090	620	2140	2610	2.8	9.8	11.9	4.03	A	3.80	5.88	2164
	7	7	24			1580	1580	5590			2200	8750	10500	620	2150	2750	2.8	9.8	12.6	4.07	A	3.81	5.88	2158
	7	9	9			2000	3000	3000			2200	8000	9360	620	2080	2500	2.8	9.5	11.4	3.85	A	3.80	5.88	2164
	7	9	12			1980	2960	3590			2200	8530	9980	620	2100	2690	2.8	9.6	12.3	4.06	A	3.80	5.88	2164
	7	9	18			1660	2490	4530			2200	8680	10150	620	2140	2740	2.8	9.8	12.5	4.06	A	3.80	5.88	2164
	7	9	24			1540	2310	5450			2200	9300	10900	620	2250	2820	2.8	10.3	12.9	4.13	A	3.81	5.88	2158
	7	12	12			1860	3370	3370			2200	8600	10070	620	2140	2740	2.8	9.8	12.5	4.02	A	3.80	5.88	2164
	7	12	18			1580	2870	4300			2200	8750	10500	620	2150	2750	2.8	9.8	12.6	4.07	A	3.81	5.88	2158
	7	18	18			1440	3930	3930			2200	9300	10900	620	2250	2820	2.8	10.3	12.9	4.13	A	3.81	5.88	2158
	9	9	9			2840	2840	2840			2200	8520	9960	620	2090	2680	2.8	9.6	12.3	4.08	A	3.80	5.88	2164
	9	9	12			2670	2670	3250			2200	8590	10050	620	2100	2690	2.8	9.6	12.3	4.09	A	3.80	5.88	2164
	9	9	18			2290	2290	4170			2200	8750	10500	620	2140	2740	2.8	9.8	12.5	4.09	A	3.81	5.88	2158
	9	9	24			2130	2130	5040			2200	9300	10900	620	2250	2820	2.8	10.3	12.9	4.13	A	3.81	5.88	2158
	9	12	12			2520	3070	3070			2200	8660	10130	620	2140	2740	2.8	9.8	12.5	4.05	A	3.80	5.88	2164
	9	12	18			2310	2800	4190			2200	9300	10500	620	2150	2750	2.8	9.8	12.6	4.33	A	3.81	5.88	2158
12	12	12			2910	2910	2910			2200	8730	10220	620	2150	2750	2.8	9.8	12.6	4.06	A	3.81	5.88	2158	
12	12	18			2660	2660	3980			2200	9300	10900	620	2180	2790	2.8	10.0	12.8	4.27	A	3.81	5.88	2158	
4	7	7	7	7		2130	2130	2130	2130		2200	8520	9970	620	2100	2690	2.8	9.6	12.3	4.06	A	3.81	5.88	2158
	7	7	7	9		1910	1910	1910	2850		2200	8580	10040	620	2100	2690	2.8	9.6	12.3	4.09	A	3.81	5.88	2158
	7	7	7	12		1800	1800	1800	3250		2200	8650	10120	620	2140	2740	2.8	9.8	12.5	4.04	A	3.81	5.88	2158
	7	7	7	18		1620	1620	1620	4440		2200	9300	10900	620	2200	2820	2.8	10.1	12.9	4.23	A	3.81	5.88	2158
	7	7	9	9		1730	1730	2590	2590		2200	8640	10100	620	2140	2740	2.8	9.8	12.5	4.04	A	3.81	5.88	2158
	7	7	9	12		1640	1640	2460	2970		2200	8710	10190	620	2140	2740	2.8	9.8	12.5	4.07	A	3.81	5.88	2158
	7	7	9	18		1490	1490	2240	4080		2200	9300	10900	620	2200	2820	2.8	10.1	12.9	4.23	A	3.81	5.88	2158
	7	7	12	12		1560	1560	2830	2830		2200	8780	10270	620	2180	2790	2.8	10.0	12.8	4.03	A	3.81	5.88	2158
	7	9	9	9		1580	2370	2370	2370		2200	8690	10170	620	2140	2740	2.8	9.8	12.5	4.06	A	3.81	5.88	2158
	7	9	9	12		1510	2260	2260	2730		2200	8760	10250	620	2180	2790	2.8	10.0	12.8	4.02	A	3.81	5.88	2158
	7	9	9	18		1390	2070	2070	3770		2200	9300	10900	620	2250	2820	2.8	10.3	12.9	4.13	A	3.81	5.88	2158
	7	9	12	12		1520	2260	2760	2760		2200	9300	10900	620	2200	2820	2.8	10.1	12.9	4.23	A	3.81	5.88	2158
	9	9	9	9		2190	2190	2190	2190		2200	8760	10240	620	2140	2740	2.8	9.8	12.5	4.09	A	3.81	5.88	2158
	9	9	9	12		2210	2210	2210	2670		2200	9300	10900	620	2180	2790	2.8	10.0	12.8	4.27	A	3.81	5.88	2158
9	9	12	12		2100	2100	2550	2550		2200	9300	10900	620	2200	2820	2.8	10.1	12.9	4.23	A	3.81	5.88	2158	

## 4. Combination Table

---

### 4-6. AJ080MCJ4EH/EU

---

#### NOTE

- EER and COP declared only for the purpose of tax deductions in force at the time of the creation of this catalog.
- The above is the value for connecting with the following indoor units.
  - A3050 Best : AR09/12JSPFBWKNEU
  - A3050 Better : AR07/09/12KSPDBWKNEU, AR18MSPDBWKNEU
- You can not connect a single unit.
- Power consumption include indoor unit power.



# 4. Combination Table

## 4-7. AJ100MCJ5EH/EU

### COOLING

Unit	Indoor Index					Cooling Capacity [W]					Capacity			Power Consumption			Current			Effic. STD. Cooling. At 35°C / 27°C	SEASONAL EFFICIENCY (ACCORDING EN14825)		Qce
	A	B	C	D	E	A	B	C	D	E	W			W			A				EER	Class	
												MIN	STD	MAX	MIN	STD	MAX	MIN	STD	MAX			
2	7	7				2000	2000				1680	4000	4900	610	1260	1650	2.8	5.8	7.6	3.17	A+	5.85	240
	7	9				2000	2500				1680	4500	5530	610	1400	1860	2.8	6.4	8.5	3.21	A+	5.79	272
	7	12				2000	3500				1710	5500	6950	620	1750	2330	2.8	8.0	10.7	3.14	A+	5.61	343
	7	18				2000	5000				2210	7000	8690	630	2190	2910	2.9	10.0	13.3	3.20	A	5.38	455
	7	24				1830	6240				2280	8070	10110	650	2550	3390	3.0	11.7	15.5	3.16	A	5.47	516
	9	9				2500	2500				1680	5000	6320	610	1600	2120	2.8	7.3	9.7	3.13	A+	5.87	298
	9	12				2500	3500				1710	6000	7270	620	1840	2430	2.8	8.4	11.1	3.26	A+	5.77	364
	9	18				2500	5000				2210	7500	9320	630	2340	3120	2.9	10.7	14.3	3.21	A	5.44	483
	9	24				2190	5960				2280	8150	10110	650	2550	3390	3.0	11.7	15.5	3.20	A	5.56	513
	12	12				3500	3500				2170	7000	8530	620	2130	2850	2.8	9.7	13.0	3.29	A	5.40	454
	12	18				3300	4720				2240	8020	9950	640	2490	3330	2.9	11.4	15.2	3.22	A	5.48	512
	12	24				2920	5670				2480	8590	10740	660	2700	3600	3.0	12.4	16.5	3.18	A	5.59	538
	18	18				4280	4280				2440	8560	10430	650	2650	3500	3.0	12.1	16.0	3.23	A	5.56	539
	18	24				3740	5080				2510	8820	10900	670	2760	3670	3.1	12.6	16.8	3.20	A+	5.61	551
24	24				4550	4550				3110	9100	11000	690	2830	3740	3.2	13.0	17.1	3.22	A+	5.85	544	
3	7	7	7			2000	2000	2000			1760	6000	7270	640	1870	2460	2.9	8.6	11.3	3.21	A+	5.96	352
	7	7	9			2000	2000	2500			1760	6500	7900	640	2010	2660	2.9	9.2	12.2	3.23	A+	6.04	377
	7	7	12			2000	2000	3500			2280	7500	8850	650	2260	2980	3.0	10.3	13.6	3.32	A	5.33	492
	7	7	18			1930	1930	4830			2310	8690	10270	660	2610	3450	3.0	11.9	15.8	3.33	A+	6.08	500
	7	7	24			1660	1660	5650			2550	8970	10430	680	2680	3530	3.1	12.3	16.2	3.35	A+	5.85	536
	7	9	9			2000	2500	2500			2240	7000	8370	640	2110	2820	2.9	9.7	12.9	3.32	A	5.24	467
	7	9	12			2000	2500	3500			2280	8000	9320	650	2350	3130	3.0	10.8	14.3	3.40	A+	5.92	473
	7	9	18			1850	2310	4620			2310	8780	10270	660	2610	3450	3.0	11.9	15.8	3.36	A+	6.09	504
	7	9	24			1550	1940	5270			2550	8760	10430	680	2680	3530	3.1	12.3	16.2	3.27	A+	6.07	505
	7	12	12			1930	3380	3380			2280	8690	10270	650	2600	3440	3.0	11.9	15.7	3.34	A+	6.08	500
	7	12	18			1700	2980	4250			2510	8930	10430	670	2660	3510	3.1	12.2	16.1	3.36	A++	6.11	512
	7	12	24			1460	2550	4950			2760	8960	10740	690	2730	3630	3.2	12.5	16.6	3.28	A+	5.84	537
	7	18	18			1480	3710	3710			2720	8900	10740	680	2720	3630	3.1	12.4	16.6	3.27	A+	6.09	512
	7	18	24			1340	3360	4560			3150	9260	11000	700	2840	3750	3.2	13.0	17.2	3.26	A+	5.93	547
	7	24	24			1260	4270	4270			3240	9800	11000	720	2860	3770	3.3	13.1	17.3	3.43	A+	6.07	565
	9	9	9			2500	2500	2500			2240	7500	8850	640	2250	2970	2.9	10.3	13.6	3.33	A	5.33	492
	9	9	12			2500	2500	3500			2280	8500	9950	650	2500	3340	3.0	11.4	15.3	3.40	A+	6.07	490
	9	9	18			2210	2210	4430			2480	8850	10270	660	2610	3450	3.0	11.9	15.8	3.39	A++	6.11	507
	9	9	24			1880	1880	5110			2550	8870	10740	680	2720	3630	3.1	12.4	16.6	3.26	A+	6.08	510
	9	12	12			2310	3230	3230			2280	8770	10270	650	2600	3440	3.0	11.9	15.7	3.37	A+	6.09	504
	9	12	18			1980	2770	3950			2510	8700	10430	670	2660	3510	3.1	12.2	16.1	3.27	A+	6.07	502
	9	12	24			1770	2480	4810			2760	9060	10900	690	2780	3690	3.2	12.7	16.9	3.26	A+	5.85	542
	9	18	18			1800	3600	3600			2720	9000	10900	680	2770	3680	3.1	12.7	16.8	3.25	A+	5.84	539
	9	18	24			1640	3270	4450			3150	9360	11000	700	2740	3750	3.2	12.5	17.2	3.42	A+	5.97	549
	9	24	24			1520	4140	4140			3240	9800	11000	720	2860	3770	3.3	13.1	17.3	3.43	A+	6.07	565
	12	12	12			2980	2980	2980			2480	8940	10430	660	2650	3500	3.0	12.1	16.0	3.37	A++	6.11	512
	12	12	18			2600	2600	3710			2680	8910	10740	670	2710	3620	3.1	12.4	16.6	3.29	A+	6.09	512
	12	12	24			2350	2350	4560			3110	9260	11000	690	2830	3740	3.2	13.0	17.1	3.27	A+	5.93	547
12	18	18			2390	3410	3410			3110	9210	11000	690	2820	3740	3.2	12.9	17.1	3.27	A+	5.88	548	
12	18	24			2240	3200	4360			3200	9800	11000	710	2800	3760	3.2	12.8	17.2	3.50	A+	6.08	564	
12	24	24			2000	3900	3900			3290	9800	11000	730	2910	3780	3.3	13.3	17.3	3.37	A+	6.05	567	
18	18	18			3260	3270	3270			3150	9800	11000	700	2790	3750	3.2	12.8	17.2	3.51	A+	6.08	564	
18	18	24			2920	2920	3960			3240	9800	11000	720	2910	3770	3.3	13.3	17.3	3.37	A+	6.05	567	

# 4. Combination Table

## 4-7. AJ100MCJ5EH/EU

### COOLING

Unit	Indoor Index					Cooling Capacity [W]					Capacity			Power Consumption			Current			Effic. STD. Cooling. At 35°C / 27°C	SEASONAL EFFICIENCY (ACCORDING EN14825)		Qce	
	A	B	C	D	E	A	B	C	D	E	W			W			A				EER	Class		SEER
											MIN	STD	MAX	MIN	STD	MAX	MIN	STD	MAX					
4	7	7	7	7		2000	2000	2000	2000			2350	8000	9320	670	2380	3160	31	109	14.5	3.36	A+	5.91	474
	7	7	7	9		2000	2000	2000	2500			2350	8500	9950	670	2520	3360	31	115	15.4	3.37	A+	6.06	491
	7	7	7	12		1850	1850	1850	3230			2380	8780	10270	680	2620	3470	31	12.0	15.9	3.35	A+	6.09	504
	7	7	7	18		1580	1580	1580	3950			2590	8690	10430	690	2690	3540	3.2	12.3	16.2	3.23	A+	6.06	502
	7	7	7	24		1420	1420	1420	4820			2840	9080	10900	710	2800	3710	3.2	12.8	17.0	3.24	A+	5.85	543
	7	7	9	9		1930	1930	2420	2420			2350	8700	10270	670	2620	3460	3.1	12.0	15.8	3.32	A+	6.08	501
	7	7	9	12		1770	1770	2210	3100			2550	8850	10270	680	2620	3470	3.1	12.0	15.9	3.38	A++	6.11	507
	7	7	9	18		1530	1530	1910	3830			2590	8800	10740	690	2730	3640	3.2	12.5	16.7	3.22	A+	6.07	508
	7	7	9	24		1380	1380	1720	4680			3200	9160	10900	710	2800	3710	3.2	12.8	17.0	3.27	A+	5.87	546
	7	7	12	12		1580	1580	2770	2770			2550	8700	10430	680	2680	3530	3.1	12.3	16.2	3.25	A+	6.06	502
	7	7	12	18		1440	1440	2520	3600			2800	9000	10900	700	2790	3700	3.2	12.8	16.9	3.23	A+	5.84	540
	7	7	12	24		1310	1310	2290	4450			3240	9360	11000	720	2760	3770	3.3	12.6	17.3	3.39	A+	5.97	549
	7	7	18	18		1330	1330	3320	3320			3200	9300	11000	710	2850	3760	3.2	13.0	17.2	3.26	A+	5.93	549
	7	7	18	24		1240	1240	3100	4220			3290	9800	11000	730	2870	3780	3.3	13.1	17.3	3.41	A+	6.06	566
	7	9	9	9		1850	2310	2310	2310			2350	8780	10270	670	2620	3460	3.1	12.0	15.8	3.35	A+	6.09	504
	7	9	9	12		1700	2130	2130	2980			2550	8940	10430	680	2670	3520	3.1	12.2	16.1	3.35	A++	6.11	512
	7	9	9	18		1480	1850	1850	3700			2760	8880	10740	690	2730	3640	3.2	12.5	16.7	3.25	A+	6.08	511
	7	9	9	24		1340	1680	1680	4560			3200	9260	11000	710	2850	3760	3.2	13.0	17.2	3.25	A+	5.92	547
	7	9	12	12		1530	1910	2680	2680			2550	8800	10740	680	2720	3630	3.1	12.4	16.6	3.24	A+	6.07	507
	7	9	12	18		1400	1750	2450	3500			3150	9100	10900	700	2790	3700	3.2	12.8	16.9	3.26	A+	5.86	543
	7	9	12	24		1280	1600	2240	4350			3240	9470	11000	720	2810	3770	3.3	12.9	17.3	3.37	A+	6.02	551
	7	9	18	18		1300	1620	3240	3240			3200	9400	11000	710	2800	3760	3.2	12.8	17.2	3.36	A+	5.97	551
	7	9	18	24		1200	1500	3010	4090			3290	9800	11000	730	2870	3780	3.3	13.1	17.3	3.41	A+	6.06	566
	7	12	12	12		1440	2520	2520	2520			2760	9000	10900	690	2780	3690	3.2	12.7	16.9	3.24	A+	5.84	540
	7	12	12	18		1330	2330	2330	3330			3150	9320	11000	700	2840	3750	3.2	13.0	17.2	3.28	A+	5.94	549
	7	12	12	24		1240	2170	2170	4220			3240	9800	11000	720	2860	3770	3.3	13.1	17.3	3.43	A+	6.07	565
	7	12	18	18		1270	2210	3160	3160			3240	9800	11000	720	2850	3770	3.3	13.0	17.3	3.44	A+	6.07	565
	7	12	18	24		1140	1980	2830	3850			3330	9800	11000	740	2920	3790	3.4	13.4	17.3	3.36	A+	6.05	567
	7	18	18	18		1160	2880	2880	2880			3290	9800	11000	730	2920	3780	3.3	13.4	17.3	3.36	A+	6.05	567
	9	9	9	9		2210	2210	2210	2210			2510	8840	10270	670	2620	3460	3.1	12.0	15.8	3.37	A++	6.10	507
	9	9	9	12		1980	1980	1980	2770			2550	8710	10430	680	2670	3520	3.1	12.2	16.1	3.26	A+	6.07	503
	9	9	9	18		1800	1800	1800	3600			2760	9000	10900	690	2780	3690	3.2	12.7	16.9	3.24	A+	5.84	540
	9	9	9	24		1640	1640	1640	4460			3200	9380	11000	710	2750	3760	3.2	12.6	17.2	3.41	A+	5.97	550
	9	9	12	12		1850	1850	2600	2600			2720	8900	10740	680	2720	3630	3.1	12.4	16.6	3.27	A+	6.09	512
	9	9	12	18		1700	1700	2390	3410			3150	9200	11000	700	2830	3750	3.2	13.0	17.2	3.25	A+	5.88	548
	9	9	12	24		1600	1600	2240	4360			3240	9800	11000	720	2810	3770	3.3	12.9	17.3	3.49	A+	6.08	564
	9	9	18	18		1630	1630	3270	3270			3200	9800	11000	710	2800	3760	3.2	12.8	17.2	3.50	A+	6.08	564
	9	9	18	24		1460	1460	2920	3960			3290	9800	11000	730	2920	3780	3.3	13.4	17.3	3.36	A+	6.05	567
	9	12	12	12		1750	2450	2450	2450			3110	9100	10900	690	2780	3690	3.2	12.7	16.9	3.27	A+	5.86	543
	9	12	12	18		1620	2270	2270	3240			3150	9400	11000	700	2790	3750	3.2	12.8	17.2	3.37	A+	5.97	551
9	12	12	24		1510	2100	2100	4090			3240	9800	11000	720	2860	3770	3.3	13.1	17.3	3.43	A+	6.07	565	
9	12	18	18		1540	2140	3060	3060			3240	9800	11000	720	2850	3770	3.3	13.0	17.3	3.44	A+	6.07	565	
12	12	12	12		2330	2330	2330	2330			3110	9320	11000	690	2830	3740	3.2	13.0	17.1	3.29	A+	5.94	549	
12	12	12	18		2210	2210	2210	3170			3200	9800	11000	710	2840	3760	3.2	13.0	17.2	3.45	A+	6.07	565	
12	12	12	24		1980	1980	1980	3860			3290	9800	11000	730	2910	3780	3.3	13.3	17.3	3.37	A+	6.05	567	
12	12	18	18		2020	2020	2880	2880			3240	9800	11000	720	2910	3770	3.3	13.3	17.3	3.37	A+	6.05	567	

# 4. Combination Table

## 4-7. AJ100MCJ5EH/EU

### COOLING

Unit	Indoor Index					Cooling Capacity [W]					Capacity			Power Consumption			Current			Effic. STD. Cooling. At 35°C / 27°C	SEASONAL EFFICIENCY (ACCORDING EN14825)		Qce
	A	B	C	D	E	A	B	C	D	E	W			W			A				EER	Class	
											MIN	STD	MAX	MIN	STD	MAX	MIN	STD	MAX				
5	7	7	7	7	7	1900	1900	1900	1900	1900	2630	9500	10270	700	2650	3490	3.2	12.1	16.0	3.58	A+	6.06	548
	7	7	7	7	9	1820	1820	1820	1820	2270	2630	9550	10430	700	2700	3550	3.2	12.4	16.2	3.54	A+	6.06	551
	7	7	7	7	12	1680	1680	1680	1680	2940	2660	9660	10740	710	2750	3650	3.2	12.6	16.7	3.51	A+	6.07	557
	7	7	7	7	18	1540	1540	1540	1540	3840	3240	10000	10900	720	2810	3720	3.3	12.9	17.0	3.56	A++	6.11	573
	7	7	7	7	24	1350	1350	1350	1350	4600	3330	10000	11000	740	2830	3790	3.4	13.0	17.3	3.53	A++	6.10	573
	7	7	7	9	9	1750	1750	1750	2180	2180	2630	9610	10430	700	2700	3550	3.2	12.4	16.2	3.56	A+	6.07	554
	7	7	7	9	12	1620	1620	1620	2020	2830	2840	9710	10740	710	2750	3650	3.2	12.6	16.7	3.53	A+	6.08	559
	7	7	7	9	18	1480	1480	1480	1860	3700	3240	10000	11000	720	2860	3770	3.3	13.1	17.3	3.50	A+	6.09	574
	7	7	7	9	24	1310	1310	1310	1630	4440	3330	10000	11000	740	2830	3790	3.4	13.0	17.3	3.53	A++	6.10	573
	7	7	7	12	12	1540	1540	1540	2690	2690	3200	10000	10900	710	2800	3710	3.2	12.8	17.0	3.57	A++	6.11	573
	7	7	7	12	18	1380	1380	1380	2410	3450	3290	10000	11000	730	2820	3780	3.3	12.9	17.3	3.55	A++	6.11	573
	7	7	7	12	24	1230	1230	1230	2150	4160	3380	10000	11000	750	2880	3800	3.4	13.2	17.4	3.47	A+	6.09	574
	7	7	7	18	18	1240	1240	1240	3140	3140	3330	10000	11000	740	2880	3790	3.4	13.2	17.3	3.47	A+	6.09	574
	7	7	9	9	9	1680	1680	2100	2100	2100	2630	9660	10740	700	2740	3650	3.2	12.5	16.7	3.53	A+	6.07	557
	7	7	9	9	12	1600	1600	2000	2000	2800	2840	10000	10900	710	2800	3710	3.2	12.8	17.0	3.57	A++	6.11	573
	7	7	9	9	18	1430	1430	1790	1790	3560	3240	10000	11000	720	2860	3770	3.3	13.1	17.3	3.50	A+	6.09	574
	7	7	9	9	24	1270	1270	1580	1580	4300	3330	10000	11000	740	2880	3790	3.4	13.2	17.3	3.47	A+	6.09	574
	7	7	9	12	12	1480	1480	1860	2590	2590	3200	10000	11000	710	2850	3760	3.2	13.0	17.2	3.51	A++	6.10	574
	7	7	9	12	18	1330	1330	1680	2330	3330	3290	10000	11000	730	2820	3780	3.3	12.9	17.3	3.55	A++	6.11	573
	7	7	9	12	24	1190	1190	1490	2080	4050	3380	10000	11000	750	2930	3800	3.4	13.4	17.4	3.41	A+	6.08	575
	7	7	9	18	18	1210	1210	1520	3030	3030	3330	10000	11000	740	2930	3790	3.4	13.4	17.3	3.41	A+	6.08	575
	7	7	12	12	12	1370	1370	2420	2420	2420	3240	10000	11000	720	2810	3770	3.3	12.9	17.3	3.56	A++	6.11	573
	7	7	12	12	18	1250	1250	2190	2190	3120	3290	10000	11000	730	2870	3780	3.3	13.1	17.3	3.48	A+	6.09	574
	7	9	9	9	9	1620	2020	2020	2020	2020	2800	9700	10740	700	2740	3650	3.2	12.5	16.7	3.54	A+	6.08	559
	7	9	9	9	12	1550	1920	1920	2690	2690	3200	10000	10900	710	2800	3710	3.2	12.8	17.0	3.57	A++	6.11	573
	7	9	9	9	18	1390	1720	1720	2450	3450	3240	10000	11000	720	2810	3770	3.3	12.9	17.3	3.56	A++	6.11	573
	7	9	9	9	24	1240	1530	1530	4170	4170	3330	10000	11000	740	2880	3790	3.4	13.2	17.3	3.47	A+	6.09	574
	7	9	9	12	12	1440	1790	1790	2490	2490	3200	10000	11000	710	2850	3760	3.2	13.0	17.2	3.51	A++	6.10	574
	7	9	9	12	18	1290	1610	1610	2260	3230	3290	10000	11000	730	2860	3780	3.3	13.1	17.3	3.50	A+	6.09	574
	7	9	9	12	24	1160	1450	1450	2020	3920	3380	10000	11000	750	2930	3800	3.4	13.4	17.4	3.41	A+	6.08	575
	7	9	9	18	18	1180	1470	1470	2940	2940	3330	10000	11000	740	2930	3790	3.4	13.4	17.3	3.41	A+	6.08	575
	7	9	12	12	12	1340	1670	2330	2330	2330	3240	10000	11000	720	2810	3770	3.3	12.9	17.3	3.56	A++	6.11	573
	7	9	12	12	18	1210	1520	2120	2120	3030	3290	10000	11000	730	2920	3780	3.3	13.4	17.3	3.42	A+	6.08	575
	7	12	12	12	12	1240	2190	2190	2190	2190	3240	10000	11000	720	2860	3770	3.3	13.1	17.3	3.50	A+	6.09	574
	9	9	9	9	9	2000	2000	2000	2000	2000	3000	10000	11000	700	2900	3700	3.2	13.3	16.9	3.45	A+	6.09	575
	9	9	9	9	12	1850	1850	1850	1850	2600	3200	10000	11000	710	2840	3760	3.2	13.0	17.2	3.52	A++	6.10	573
9	9	9	9	18	1670	1670	1670	1670	3320	3240	10000	11000	720	2810	3770	3.3	12.9	17.3	3.56	A++	6.11	573	
9	9	9	9	24	1490	1490	1490	1490	4040	3330	10000	11000	740	2930	3790	3.4	13.4	17.3	3.41	A+	6.08	575	
9	9	9	12	12	1720	1720	1720	2420	2420	3200	10000	11000	710	2800	3760	3.2	12.8	17.2	3.57	A++	6.11	573	
9	9	9	12	18	1560	1560	1560	2190	3130	3290	10000	11000	730	2860	3780	3.3	13.1	17.3	3.50	A+	6.09	575	
9	9	12	12	12	1610	1610	2260	2260	2260	3240	10000	11000	720	2850	3770	3.3	13.0	17.3	3.51	A++	6.10	574	
9	9	12	12	18	1470	1470	2060	2060	2940	3290	10000	11000	730	2920	3780	3.3	13.4	17.3	3.42	A+	6.08	575	
9	12	12	12	12	1520	2120	2120	2120	2120	3240	10000	11000	720	2910	3770	3.3	13.3	17.3	3.44	A+	6.09	575	

# 4. Combination Table

## 4-7. AJ100MCJ5EH/EU

### HEATING

Unit	Indoor Index					Heating Capacity [W]					Capacity			Power Consumption			Current			Effic. STD. Heating. At 7°C / 20°C	SEASONAL EFFICIENCY (ACCORDING EN14825)			Qhe kWh
	A	B	C	D	E	A	B	C	D	E	W			W			A				COP	Class	SCOP	
	MIN	STD	MAX	MIN	STD	MAX	MIN	STD	MAX	COP	Class	SCOP	Pdesign											
2	7	7				2200	2200								1240	4400	5530	460	1250	1520	21	5.7	70	3.52
	7	9				2200	3300				1240	5500	6790	460	1520	1850	2.1	7.0	8.5	3.62	A	3.95	4.21	1489
	7	12				2200	4000				1270	6200	7580	470	1700	2060	2.2	7.8	9.4	3.65	A	3.96	4.91	1736
	7	18				2200	6000				1300	8200	10110	480	2240	2750	2.2	10.3	12.6	3.66	A	3.80	5.88	2164
	7	24				2200	7800				1500	10000	12480	500	2790	3390	2.3	12.8	15.5	3.58	A	3.83	7.70	2815
	9	9				3300	3300				1240	6600	8220	460	1820	2230	2.1	8.3	10.2	3.63	A+	4.00	4.91	1715
	9	12				3300	4000				1270	7300	9010	470	2010	2440	2.2	9.2	11.2	3.63	A	3.95	5.09	1801
	9	18				3300	6000				1300	9300	11690	480	2590	3160	2.2	11.9	14.5	3.59	A	3.83	7.70	2815
	9	24				3150	7450				1500	10600	13110	500	2920	3560	2.3	13.4	16.3	3.63	A	3.83	7.70	2816
	12	12				4000	4000				1270	8000	9800	470	2190	2650	2.2	10.0	12.1	3.65	A	3.80	5.09	1877
	12	18				4000	6000				1470	10000	12320	490	2730	3330	2.2	12.5	15.2	3.66	A	3.83	7.70	2815
	12	24				3590	7010				1530	10600	13110	510	2930	3560	2.3	13.4	16.3	3.62	A	3.82	7.70	2823
	18	18				5300	5300				1650	10600	13110	500	2920	3560	2.3	13.4	16.3	3.63	A	3.84	7.70	2812
	18	24				4610	5990				1820	10600	13110	520	2940	3580	2.4	13.5	16.4	3.61	A	3.90	7.70	2761
	24	24				5300	5300				2160	10600	12960	540	2920	3560	2.5	13.4	16.3	3.63	A	3.90	7.91	2837
3	7	7	7			2200	2200	2200			1320	6600	7580	490	1720	2090	2.2	7.9	9.6	3.84	A	3.93	5.65	2013
	7	7	9			2200	2200	3300			1320	7700	9010	490	2030	2460	2.2	9.3	11.3	3.79	A	3.93	5.65	2013
	7	7	12			2200	2200	4000			1350	8400	9800	500	2210	2680	2.3	10.1	12.3	3.80	A	3.80	5.88	2164
	7	7	18			2050	2050	5590			1530	9690	12170	510	2710	3320	2.3	12.4	15.2	3.58	A	3.95	7.91	2804
	7	7	24			1780	1780	6300			1750	9860	12170	530	2730	3340	2.4	12.5	15.3	3.61	A	3.90	7.91	2837
	7	9	9			2200	3300	3300			1320	8800	10740	490	2380	2920	2.2	10.9	13.4	3.70	A	3.80	5.88	2164
	7	9	12			2200	3300	4000			1350	9500	11380	500	2520	3090	2.3	11.5	14.1	3.77	A	3.95	7.91	2804
	7	9	18			1870	2810	5110			1530	9790	11850	510	2670	3230	2.3	12.2	14.8	3.67	A	3.95	7.91	2804
	7	9	24			1650	2470	5850			1860	9970	12170	530	2730	3340	2.4	12.5	15.3	3.65	A	3.95	7.91	2804
	7	12	12			2090	3790	3790			1500	9670	12170	500	2700	3310	2.3	12.4	15.1	3.58	A	3.95	7.91	2804
	7	12	18			1780	3230	4850			1720	9860	12170	520	2720	3320	2.4	12.4	15.2	3.63	A	3.95	7.91	2804
	7	12	24			1580	2870	5590			1890	10040	12320	540	2780	3380	2.5	12.7	15.5	3.61	A	3.90	7.91	2837
	7	18	18			1560	4250	4250			1860	10060	12320	530	2780	3380	2.4	12.7	15.5	3.62	A	3.95	7.91	2804
	7	18	24			1490	4050	5270			2200	10810	12800	550	2880	3520	2.5	13.2	16.1	3.75	A	3.90	7.91	2837
	7	24	24			1360	4820	4820			2280	11000	12960	570	2950	3590	2.6	13.5	16.4	3.73	A	3.90	7.91	2837
	9	9	9			3210	3210	3210			1470	9630	11850	490	2650	3210	2.2	12.1	14.7	3.63	A	3.80	5.88	2164
	9	9	12			3020	3020	3660			1500	9700	11530	500	2560	3140	2.3	11.7	14.4	3.79	A	3.95	7.91	2804
	9	9	18			2590	2590	4710			1680	9890	12320	510	2760	3360	2.3	12.6	15.4	3.58	A	3.95	7.91	2804
	9	9	24			2440	2440	5770			1860	10650	12480	530	2820	3420	2.4	12.9	15.7	3.78	A	3.95	7.91	2804
	9	12	12			2850	3460	3460			1500	9770	11850	500	2660	3220	2.3	12.2	14.7	3.67	A	3.95	7.91	2804
	9	12	18			2470	3000	4500			1820	9970	12170	520	2720	3320	2.4	12.4	15.2	3.67	A	3.95	7.91	2804
	9	12	24			2340	2840	5540			1890	10720	12480	540	2830	3430	2.5	13.0	15.7	3.79	A	3.90	7.91	2837
	9	18	18			2320	4210	4210			1860	10740	12480	530	2820	3420	2.4	12.9	15.7	3.81	A	3.90	7.91	2837
	9	18	24			2120	3860	5020			2200	11000	12960	550	2930	3570	2.5	13.4	16.3	3.75	A	3.90	7.91	2837
	9	24	24			1920	4540	4540			2280	11000	13110	570	2990	3630	2.6	13.7	16.6	3.68	A	3.90	7.91	2837
	12	12	12			3280	3280	3280			1680	9840	12170	510	2710	3310	2.3	12.4	15.1	3.63	A	3.95	7.91	2804
	12	12	18			2870	2870	4300			1820	10040	12320	520	2770	3370	2.4	12.7	15.4	3.62	A	3.95	7.91	2804
	12	12	24			2730	2730	5330			2160	10790	12800	540	2870	3510	2.5	13.1	16.1	3.76	A	3.90	7.91	2837
	12	18	18			2700	4050	4050			2160	10800	12800	540	2870	3510	2.5	13.1	16.1	3.76	A	3.90	7.91	2837
	12	18	24			2470	3710	4820			2240	11000	12960	560	2930	3570	2.6	13.4	16.3	3.75	A	3.90	7.91	2837
12	24	24			2240	4380	4380			2320	11000	13430	580	3040	3720	2.7	13.9	17.0	3.62	A	3.90	7.91	2837	
18	18	18			3660	3670	3670			2200	11000	12960	550	2930	3570	2.5	13.4	16.3	3.75	A	3.90	7.91	2837	
18	18	24			3330	3330	4340			2280	11000	13430	570	3040	3710	2.6	13.9	17.0	3.62	A	3.90	7.91	2837	

# 4. Combination Table

## 4-7. AJ100MCJ5EH/EU

### HEATING

Unit	Indoor Index					Heating Capacity [W]					Capacity			Power Consumption			Current			Effic. STD. Heating. At 7°C / 20°C	SEASONAL EFFICIENCY (ACCORDING EN14825)			Qhe
	A	B	C	D	E	A	B	C	D	E	W			W			A				COP	Class	SCOP	
	MIN	STD	MAX	MIN	STD	MAX	MIN	STD	MAX															
4	7	7	7	7		2200	2200	2200	2200		1400	8800	9800	520	2240	2700	2.4	10.3	12.4	3.93	A	3.95	7.91	2804
	7	7	7	9		2140	2140	2140	3210		1560	9630	11380	520	2550	3120	2.4	11.7	14.3	3.78	A	3.95	7.91	2804
	7	7	7	12		2010	2010	2010	3660		1590	9690	12170	530	2730	3330	2.4	12.5	15.2	3.55	A	3.95	7.91	2804
	7	7	7	18		1730	1730	1730	4710		1780	9900	12170	540	2740	3350	2.5	12.5	15.3	3.61	A	3.95	7.91	2804
	7	7	7	24		1630	1630	1630	5770		1960	10660	12320	560	2810	3410	2.6	12.9	15.6	3.79	A	3.90	7.91	2837
	7	7	9	9		1950	1950	2920	2920		1560	9740	11530	520	2590	3160	2.4	11.9	14.5	3.76	A	3.95	7.91	2804
	7	7	9	12		1840	1840	2760	3350		1590	9790	11850	530	2680	3250	2.4	12.3	14.9	3.65	A	3.95	7.91	2804
	7	7	9	18		1610	1610	2410	4380		1890	10010	12170	540	2740	3350	2.5	12.5	15.3	3.65	A	3.95	7.91	2804
	7	7	9	24		1530	1530	2290	5410		1960	10760	12480	560	2850	3450	2.6	13.0	15.8	3.78	A	3.90	7.91	2837
	7	7	12	12		1750	1750	3190	3190		1750	9880	12170	530	2730	3340	2.4	12.5	15.3	3.62	A	3.95	7.91	2804
	7	7	12	18		1630	1630	2960	4440		1930	10660	12320	550	2790	3390	2.5	12.8	15.5	3.82	A	3.90	7.91	2837
	7	7	12	24		1470	1470	2670	5210		2280	10820	12800	570	2900	3540	2.6	13.3	16.2	3.73	A	3.90	7.91	2837
	7	7	18	18		1460	1460	3970	3970		2240	10860	12800	560	2890	3530	2.6	13.2	16.2	3.76	A	3.90	7.91	2837
	7	7	18	24		1330	1330	3630	4710		2320	11000	12960	580	2960	3600	2.7	13.5	16.5	3.72	A	3.90	7.91	2837
	7	9	9	9		1790	2690	2690	2690		1720	9860	12170	520	2720	3330	2.4	12.4	15.2	3.63	A	3.95	7.91	2804
	7	9	9	12		1710	2560	2560	3100		1750	9930	12320	530	2770	3370	2.4	12.7	15.4	3.58	A	3.95	7.91	2804
	7	9	9	18		1590	2380	2380	4330		1890	10680	12480	540	2830	3430	2.5	13.0	15.7	3.77	A	3.95	7.91	2804
	7	9	9	24		1440	2160	2160	5100		2240	10860	12960	560	2940	3580	2.6	13.5	16.4	3.69	A	3.90	7.91	2837
	7	9	12	12		1630	2440	2960	2960		1860	9990	12170	530	2730	3340	2.4	12.5	15.3	3.66	A	3.95	7.91	2804
	7	9	12	18		1530	2290	2780	4170		1930	10770	12480	550	2840	3440	2.5	13.0	15.7	3.79	A	3.90	7.91	2837
	7	9	12	24		1400	2100	2540	4960		2280	11000	12960	570	2940	3580	2.6	13.5	16.4	3.74	A	3.90	7.91	2837
	7	9	18	18		1390	2070	3770	3770		2240	11000	12960	560	2940	3580	2.6	13.5	16.4	3.74	A	3.90	7.91	2837
	7	9	18	24		1250	1880	3420	4450		2320	11000	13110	580	3000	3640	2.7	13.7	16.7	3.67	A	3.90	7.91	2837
	7	12	12	12		1560	2830	2830	2830		1890	10050	12320	540	2780	3380	2.5	12.7	15.5	3.62	A	3.90	7.91	2837
	7	12	12	18		1470	2670	2670	4010		2200	10820	12800	550	2880	3520	2.5	13.2	16.1	3.76	A	3.90	7.91	2837
	7	12	12	24		1350	2440	2440	4770		2280	11000	12960	570	2950	3590	2.6	13.5	16.4	3.73	A	3.90	7.91	2837
	7	12	18	18		1330	2410	3630	3630		2280	11000	12960	570	2940	3580	2.6	13.5	16.4	3.74	A	3.90	7.91	2837
	7	12	18	24		1210	2200	3300	4290		2360	11000	13430	590	3050	3730	2.7	14.0	17.1	3.61	A	3.90	7.91	2837
	7	18	18	18		1190	3270	3270	3270		2320	11000	13430	580	3050	3720	2.7	14.0	17.0	3.61	A	3.90	7.91	2837
	9	9	9	9		2490	2490	2490	2490		1820	9960	12480	520	2810	3410	2.4	12.9	15.6	3.54	A+	4.00	7.91	2769
	9	9	9	12		2380	2380	2380	2880		1860	10020	12320	530	2770	3370	2.4	12.7	15.4	3.62	A	3.95	7.91	2804
	9	9	9	18		2240	2240	2240	4080		2160	10800	12800	540	2870	3510	2.5	13.1	16.1	3.76	A	3.90	7.91	2837
	9	9	9	24		2050	2050	2050	4850		2240	11000	12960	560	2940	3580	2.6	13.5	16.4	3.74	A	3.90	7.91	2837
	9	9	12	12		2410	2410	2920	2920		1860	10660	12480	530	2820	3420	2.4	12.9	15.7	3.78	A	3.95	7.91	2804
	9	9	12	18		2160	2160	2620	3930		2200	10870	12960	550	2920	3560	2.5	13.4	16.3	3.72	A	3.90	7.91	2837
	9	9	12	24		1970	1970	2400	4660		2280	11000	13110	570	2990	3620	2.6	13.7	16.6	3.68	A	3.90	7.91	2837
	9	9	18	18		1950	1950	3550	3550		2240	11000	13110	560	2980	3620	2.6	13.6	16.6	3.69	A	3.90	7.91	2837
	9	9	18	24		1780	1780	3240	4200		2320	11000	13590	580	3090	3760	2.7	14.1	17.2	3.56	A	3.90	7.91	2837
	9	12	12	12		2320	2810	2810	2810		1890	10750	12480	540	2830	3430	2.5	13.0	15.7	3.80	A	3.90	7.91	2837
	9	12	12	18		2100	2540	2540	3820		2200	11000	12960	550	2930	3570	2.5	13.4	16.3	3.75	A	3.90	7.91	2837
9	12	12	24		1910	2300	2300	4490		2280	11000	13110	570	2990	3630	2.6	13.7	16.6	3.68	A	3.90	7.91	2837	
9	12	18	18		1880	2280	3420	3420		2280	11000	13110	570	2990	3620	2.6	13.7	16.6	3.68	A	3.90	7.91	2837	
12	12	12	12		2700	2700	2700	2700		2160	10800	12800	540	2870	3510	2.5	13.1	16.1	3.76	A	3.90	7.91	2837	
12	12	12	18		2440	2440	2440	3680		2240	11000	12960	560	2930	3570	2.6	13.4	16.3	3.75	A	3.90	7.91	2837	
12	12	12	24		2220	2220	2220	4340		2320	11000	13430	580	3040	3720	2.7	13.9	17.0	3.62	A	3.90	7.91	2837	
12	12	18	18		2200	2200	3300	3300		2280	11000	13430	570	3040	3710	2.6	13.9	17.0	3.62	A	3.90	7.91	2837	

# 4. Combination Table

## 4-7. AJ100MCJ5EH/EU

### HEATING

Unit	Indoor Index					Heating Capacity [W]					Capacity			Power Consumption			Current			Effic. STD. Heating. At 7°C / 20°C	SEASONAL EFFICIENCY (ACCORDING EN14825)			Qhe kWh
	A	B	C	D	E	A	B	C	D	E	W			W			A				COP	Class	SCOP	
	MIN	STD	MAX	MIN	STD	MAX	MIN	STD	MAX	COP	Class	SCOP	Pdesign											
5	7	7	7	7	7	2200	2200	2200	2200					2200	1650	11000	13110	550	2970	3610	2.5	13.6	16.5	3.70
	7	7	7	7	9	2080	2080	2080	2080	3120	1820	11440	12960	550	2930	3570	2.5	13.4	16.3	3.90	A	3.90	791	2837
	7	7	7	7	12	1990	1990	1990	1990	3620	1850	11580	13110	560	2980	3610	2.6	13.6	16.5	3.89	A	3.90	791	2837
	7	7	7	7	18	1710	1710	1710	1710	4660	2000	11500	13430	570	3040	3710	2.6	13.9	17.0	3.78	A	3.90	791	2837
	7	7	7	7	24	1580	1580	1580	1580	5610	2360	11930	13750	590	3140	3810	2.7	14.4	17.4	3.80	A	3.90	791	2837
	7	7	7	9	9	1950	1950	1950	2930	2930	1930	11710	13430	550	3020	3690	2.5	13.8	16.9	3.88	A	3.90	791	2837
	7	7	7	9	12	1880	1880	1880	2820	3420	1960	11880	13110	560	2980	3610	2.6	13.6	16.5	3.99	A	3.90	791	2837
	7	7	7	9	18	1630	1630	1630	2440	4450	2280	11780	13590	570	3080	3750	2.6	14.1	17.2	3.82	A	3.90	791	2837
	7	7	7	9	24	1490	1490	1490	2240	5290	2360	12000	13900	590	3190	3860	2.7	14.6	17.7	3.76	A	3.90	791	2837
	7	7	7	12	12	1730	1730	1730	3140	3140	1960	11470	13430	560	3030	3700	2.6	13.9	16.9	3.79	A	3.90	791	2837
	7	7	7	12	18	1580	1580	1580	2880	4320	2320	11940	13750	580	3130	3800	2.7	14.3	17.4	3.81	A	3.90	791	2837
	7	7	7	12	24	1430	1430	1430	2620	5090	2400	12000	14000	600	3240	3940	2.7	14.8	18.0	3.70	A	3.90	791	2837
	7	7	7	18	18	1420	1420	1420	3870	3870	2360	12000	14000	590	3230	3940	2.7	14.8	18.0	3.72	A	3.90	791	2837
	7	7	9	9	9	1840	1840	2760	2760	2760	1930	11960	13430	550	3020	3690	2.5	13.8	16.9	3.96	A	3.90	791	2837
	7	7	9	9	12	1690	1690	2540	2540	3080	1960	11540	13590	560	3070	3740	2.6	14.1	17.1	3.76	A	3.90	791	2837
	7	7	9	9	18	1550	1550	2330	2330	4240	2280	12000	13900	570	3170	3840	2.6	14.5	17.6	3.79	A	3.90	791	2837
	7	7	9	9	24	1400	1400	2110	2110	4980	2360	12000	14000	590	3280	3940	2.7	15.0	18.0	3.66	A	3.90	791	2837
	7	7	9	12	12	1640	1640	2470	2990	2990	2240	11730	13590	560	3070	3740	2.6	14.1	17.1	3.82	A	3.90	791	2837
	7	7	9	12	18	1490	1490	2240	2710	4070	2320	12000	13900	580	3170	3840	2.7	14.5	17.6	3.79	A	3.90	791	2837
	7	7	9	12	24	1350	1350	2040	2460	4800	2400	12000	14000	600	3280	3940	2.7	15.0	18.0	3.66	A	3.90	791	2837
	7	7	9	18	18	1340	1340	2020	3650	3650	2360	12000	14000	590	3280	3940	2.7	15.0	18.0	3.66	A	3.90	791	2837
	7	7	12	12	12	1600	1600	2900	2900	2900	2280	11900	13750	570	3120	3790	2.6	14.3	17.3	3.81	A	3.90	791	2837
	7	7	12	12	18	1430	1430	2610	2610	3920	2320	12000	14000	580	3220	3930	2.7	14.7	18.0	3.73	A	3.90	791	2837
	7	9	9	9	9	1670	2500	2500	2500	2500	1930	11670	13590	550	3060	3730	2.5	14.0	17.1	3.81	A	3.90	791	2837
	7	9	9	9	12	1620	2420	2420	2420	2940	2240	11820	13750	560	3110	3780	2.6	14.2	17.3	3.80	A	3.90	791	2837
	7	9	9	9	18	1460	2190	2190	2190	3970	2280	12000	14000	570	3210	3920	2.6	14.7	17.9	3.74	A	3.90	791	2837
	7	9	9	9	24	1330	1990	1990	1990	4700	2360	12000	14000	590	3320	3940	2.7	15.2	18.0	3.61	A	3.90	791	2837
	7	9	9	12	12	1570	2350	2360	2860	2860	2240	12000	13900	560	3160	3830	2.6	14.5	17.5	3.80	A	3.90	791	2837
	7	9	9	12	18	1400	2110	2110	2550	3830	2320	12000	14000	580	3260	3920	2.7	14.9	17.9	3.68	A	3.90	791	2837
	7	9	9	12	24	1290	1920	1920	2330	4540	2400	12000	14000	600	3370	3940	2.7	15.4	18.0	3.56	A	3.90	791	2837
	7	9	9	18	18	1280	1900	1900	3460	3460	2360	12000	14000	590	3370	3940	2.7	15.4	18.0	3.56	A	3.90	791	2837
	7	9	12	12	12	1520	2260	2740	2740	2740	2280	12000	13900	570	3160	3830	2.6	14.5	17.5	3.80	A	3.90	791	2837
	7	9	12	12	18	1360	2030	2460	2460	3690	2320	12000	14000	580	3270	3930	2.7	15.0	18.0	3.67	A	3.90	791	2837
	7	12	12	12	12	1440	2640	2640	2640	2640	2280	12000	14000	570	3210	3920	2.6	14.7	17.9	3.74	A	3.90	791	2837
	9	9	9	9	9	2400	2400	2400	2400	2400	3400	12000	14000	550	2930	3900	2.5	13.4	17.8	4.10	A	3.90	791	2837
	9	9	9	9	12	2300	2300	2300	2300	2800	2240	12000	13900	560	3150	3820	2.6	14.4	17.5	3.81	A	3.90	791	2837
9	9	9	9	18	2060	2060	2060	2060	3760	2280	12000	14000	570	3260	3920	2.6	14.9	17.9	3.68	A	3.90	791	2837	
9	9	9	9	24	1890	1890	1890	1890	4440	2360	12000	14000	590	3370	3940	2.7	15.4	18.0	3.56	A	3.90	791	2837	
9	9	9	12	12	2210	2210	2210	2680	2690	2240	12000	14000	560	3200	3910	2.6	14.6	17.9	3.75	A	3.90	791	2837	
9	9	9	12	18	1990	1990	1990	2410	3620	2320	12000	14000	580	3310	3920	2.7	15.1	17.9	3.63	A	3.90	791	2837	
9	9	12	12	12	2130	2130	2580	2580	2580	2280	12000	14000	570	3250	3910	2.6	14.9	17.9	3.69	A	3.90	791	2837	
9	9	12	12	18	1920	1920	2330	2330	3500	2400	12000	14000	580	3360	3930	2.7	15.4	18.0	3.57	A	3.90	791	2837	
9	12	12	12	12	2040	2490	2490	2490	2490	2280	12000	14000	570	3260	3920	2.6	14.9	17.9	3.68	A	3.90	791	2837	

### NOTE

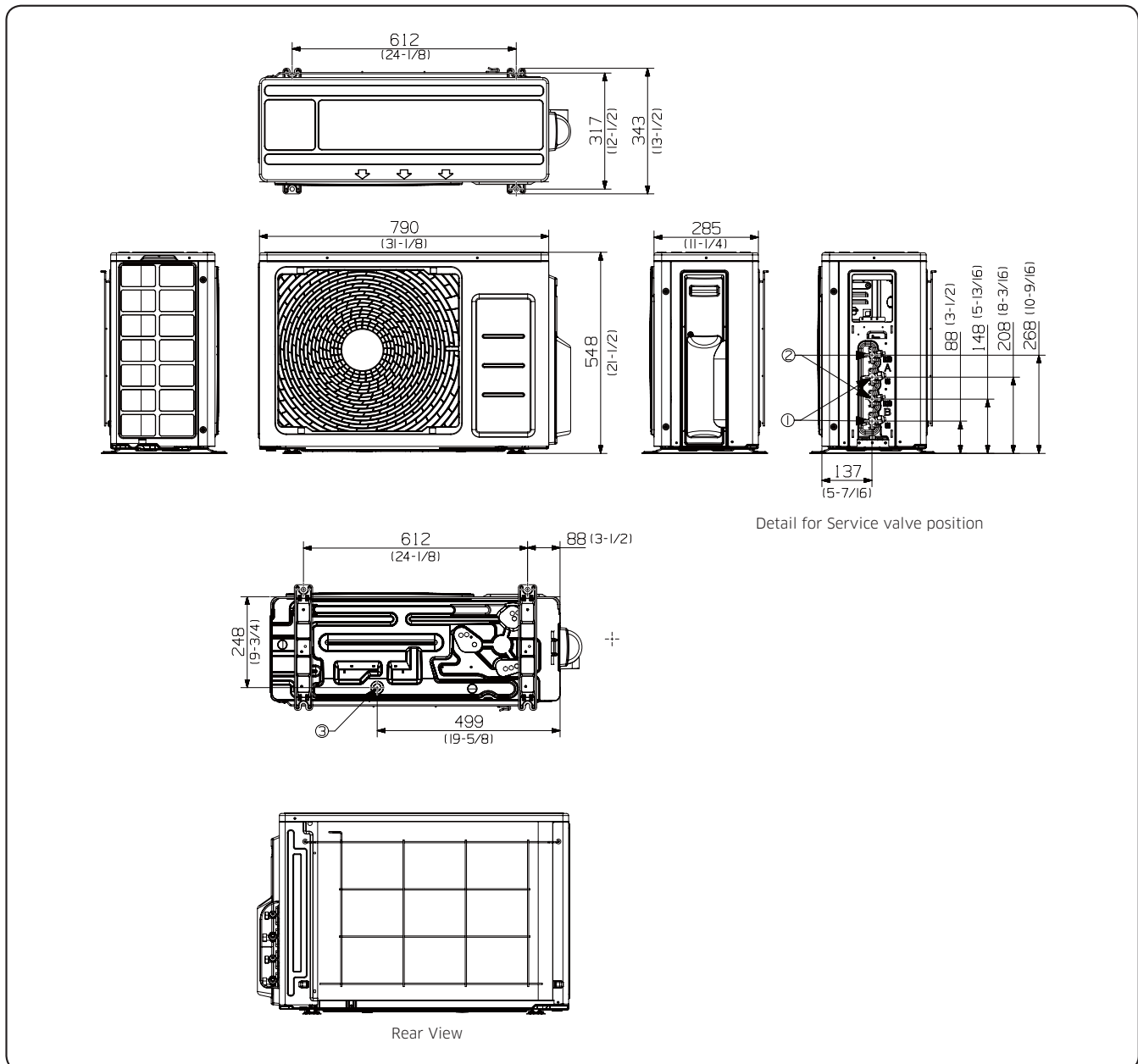
- EER and COP declared only for the purpose of tax deductions in force at the time of the creation of this catalog.
- The above is the value for connecting with the following indoor units.
  - A3050 Best : AR09/12JSPFBWKNEU
  - A3050 Better : AR07/09/12KSPDBWKNEU, AR18/24MSPDBWKNEU
- You can not connect a single unit.
- Power consumption include indoor unit power.

# 5. Dimensional Drawing

## 5-1. Outdoor units

AJ040/050MCJ2EH\*\*

Units : mm [inches]



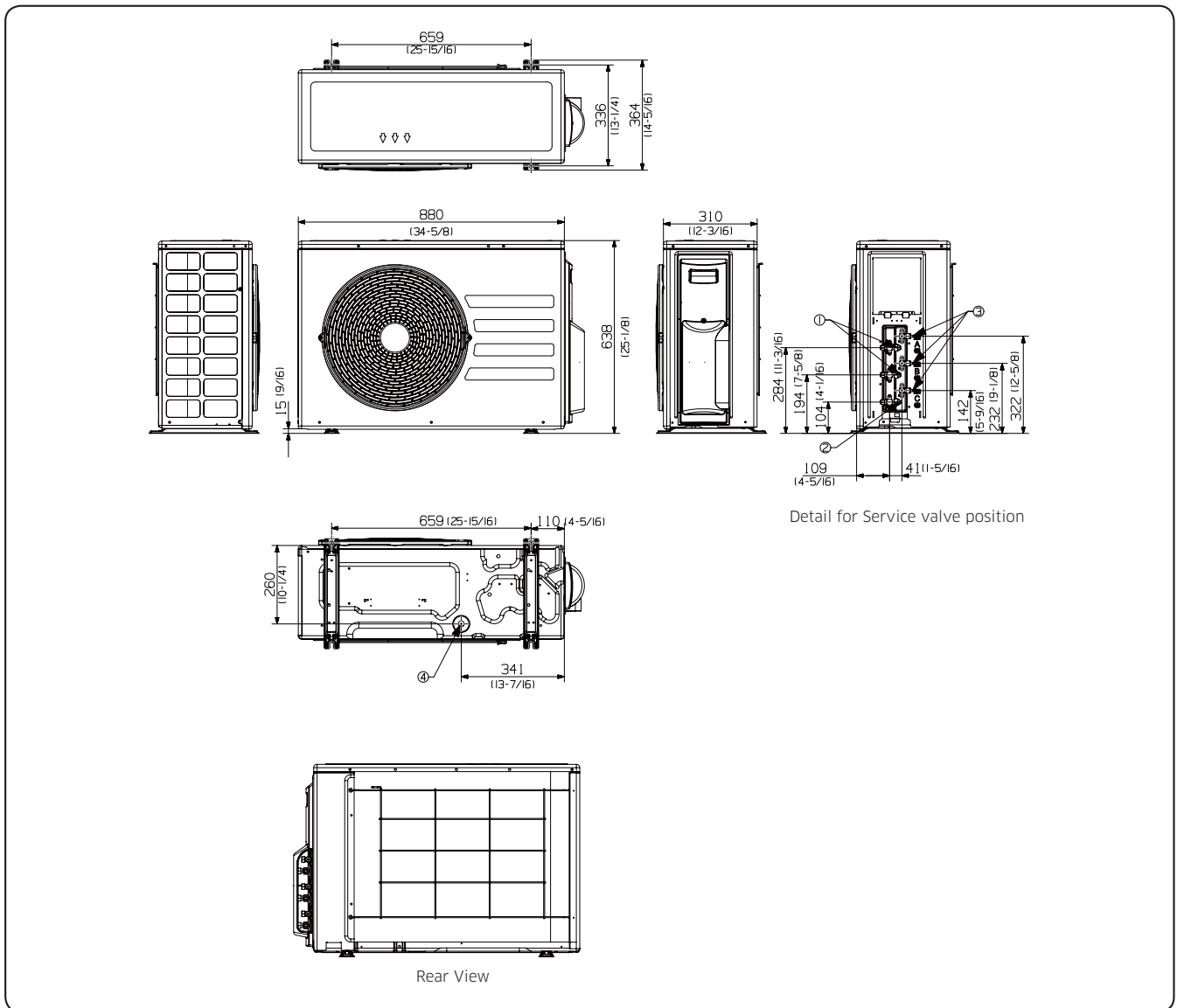
NO	Name	Description	
		AJ040/MCJ2EH**	AJ050MCJ2EH**
1	Refrigerant gas pipe	Φ9.52 (Φ3/8) x 2EA	Φ12.7 (Φ1/2) x 1EA Φ9.52 (Φ3/8) x 1EA
2	Refrigerant liquid pipe	Φ6.35 (Φ1/4) x 2EA	
3	Drain hole	Connection with the provided drain plug.	

# 5. Dimensional Drawing

## 5-1. Outdoor units

AJ052MCJ3EH\*\*

Units : mm [inches]



NO	Name	Description
1	Refrigerant gas pipe	Φ9.52 (Φ3/8) X 2EA
2		Φ12.7 (Φ1/2) X 1EA
3	Refrigerant liquid pipe	Φ6.35 (Φ1/4) X 3EA
4	Drain hole	Connection with the provided drain plug.

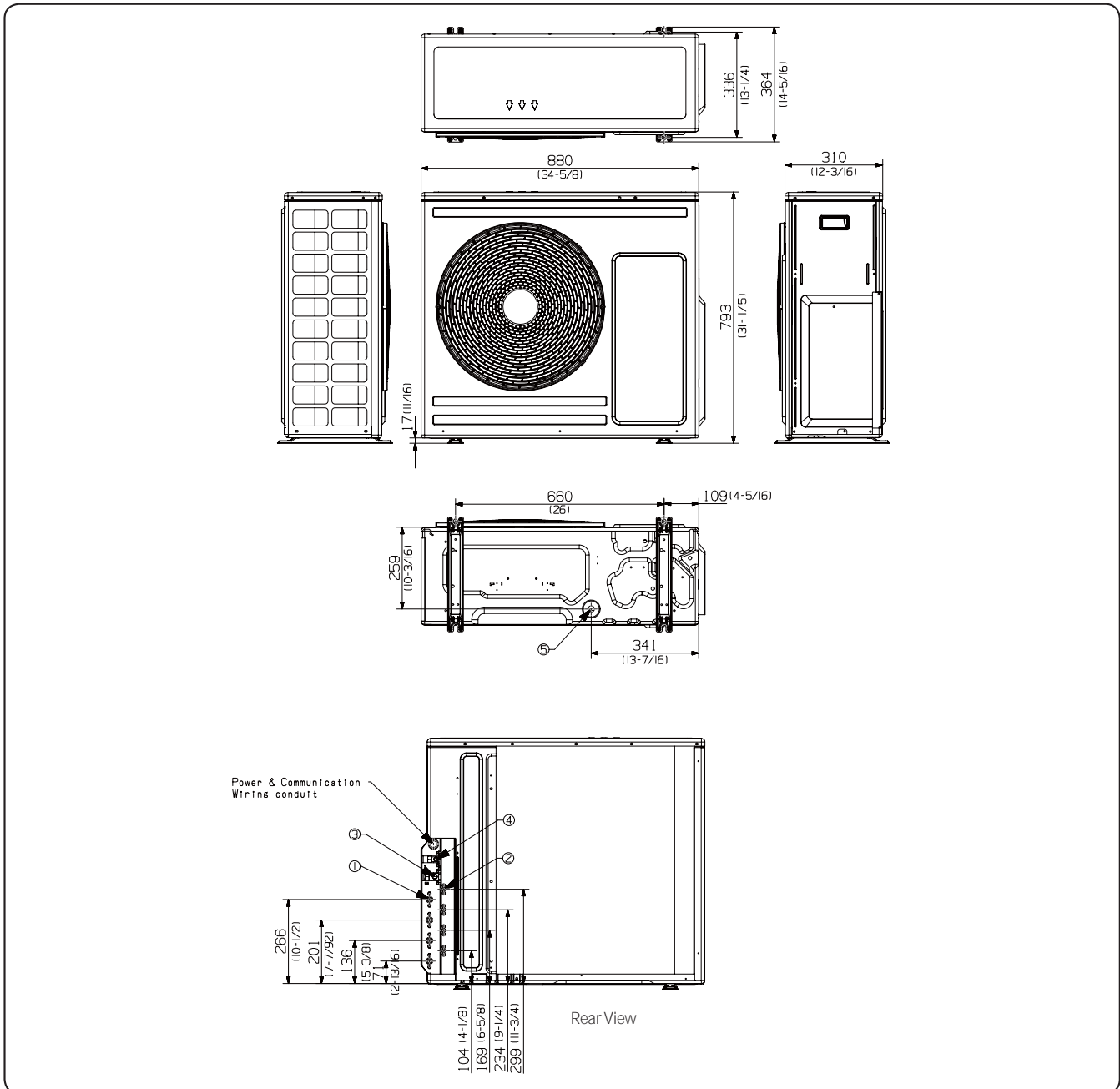


# 5. Dimensional Drawing

## 5-1. Outdoor units

AJ068MCJ3EH\*\*, AJ070/080MCJ4EH\*\*

Units : mm [inches]



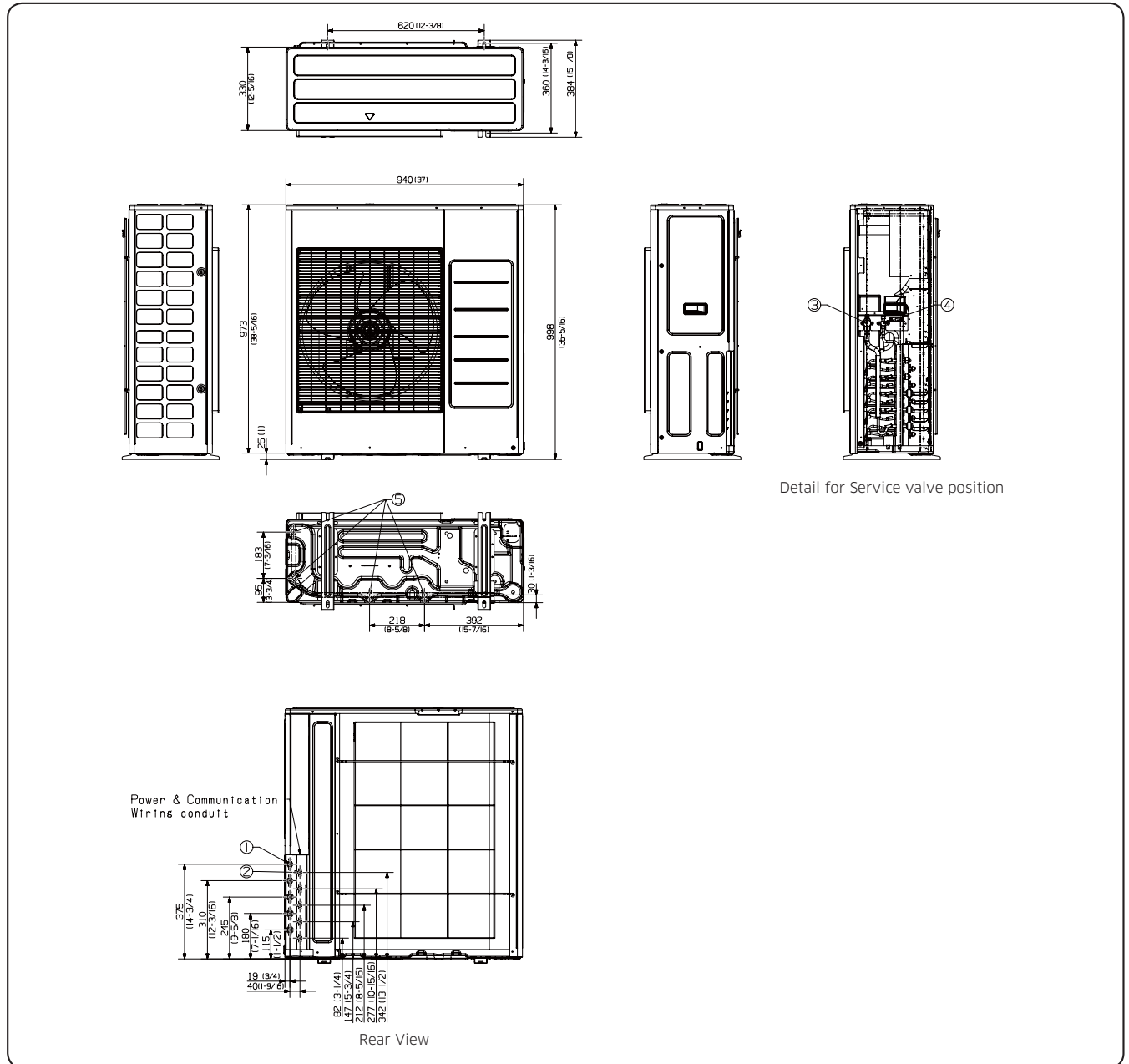
NO	Name	Description		
		AJ068MCJ3EH**	AJ070MCJ4EH**	AJ080MCJ4EH**
1	Refrigerant gas pipe	Φ9.52 (Φ3/8) x 1EA, Φ12.7 (Φ1/2) x 2EA	Φ9.52 (Φ3/8) x 2EA, Φ12.7 (Φ1/2) x 2EA	
2	Refrigerant liquid pipe	Φ6.35 (Φ1/4) x 3EA	Φ6.35 (Φ1/4) x 4EA	
3	Service vlave (gas)	K-Type 5/8"		
4	Service vlave (liquid)	T-Type 3/8"		
5	Drain hole	Connection with the provided drain plug.		

# 5. Dimensional Drawing

## 5-1. Outdoor units

### AJ100MCJ5EH\*\*

Units : mm [inches]



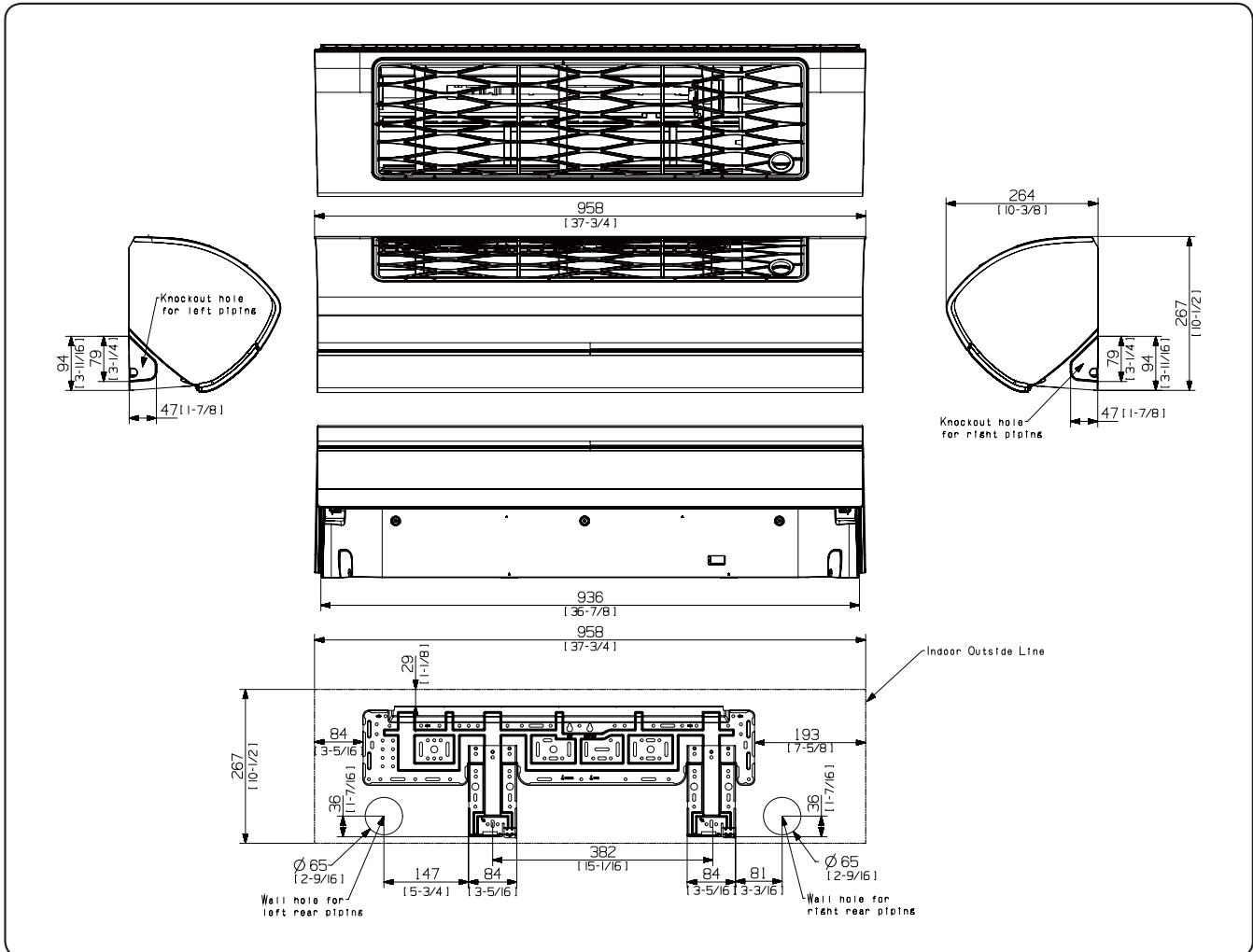
NO	Name	Description
1	Refrigerant gas pipe	Φ9.52 (Φ3/8) x 2EA, Φ12.7 (Φ1/2) x 3EA
2	Refrigerant liquid pipe	Φ6.35 (Φ1/4) x 5EA
3	Service vlave (gas)	5/8"
4	Service vlave (liquid)	3/8"
5	Drain hole	Connection with the provided drain plug.

# 5. Dimensional Drawing

## 5-2. Indoor units

AR9570 : AR09/12JSPFBWKN\*\*

Units : mm [inches]



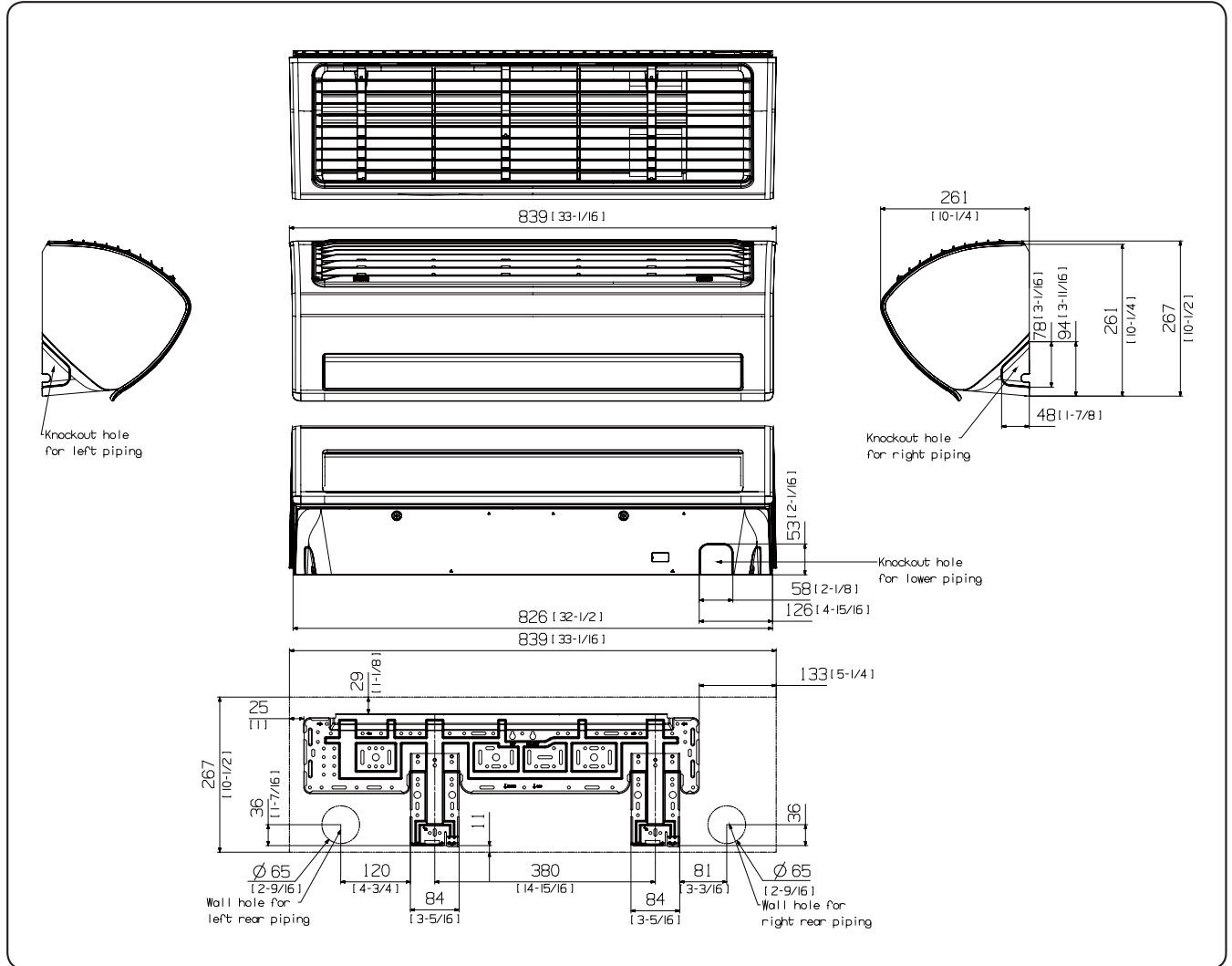
No	Name	Description		
		2.0kW	2.5kW	3.5kW
1	Liquid pipe connection		Φ6.35 (Φ1/4)	
2	Gas pipe connection		Φ9.52 (Φ3/8)	
3	Drain pipe connection		ID18mm Hose	
4	Power & Communication wiring conduit		-	

# 5. Dimensional Drawing

## 5-2. Indoor units

AR7580 : AR07/09/12\*SPDBWKN\*\*

Units : mm [inches]



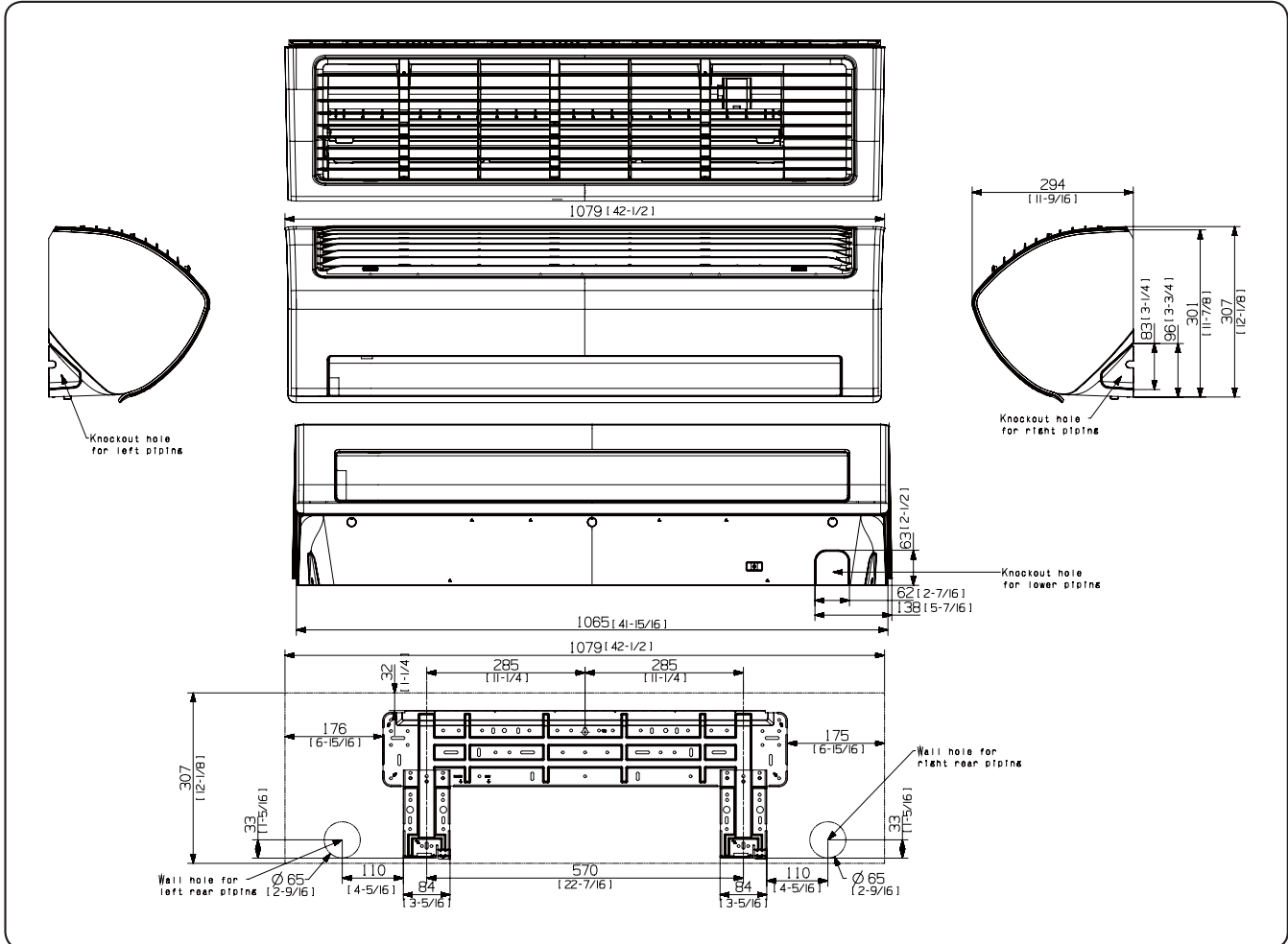
No	Name	Description		
		2.0kW	2.5kW	3.5kW
1	Liquid pipe connection		Φ6.35 (Φ1/4)	
2	Gas pipe connection		Φ9.52 (Φ3/8)	
3	Drain pipe connection		ID18mm Hose	
4	Power & Communication wiring conduit		-	

# 5. Dimensional Drawing

## 5-2. Indoor units

AR7580 : AR18/24\*SPDBWKN\*\*

Units : mm [inches]



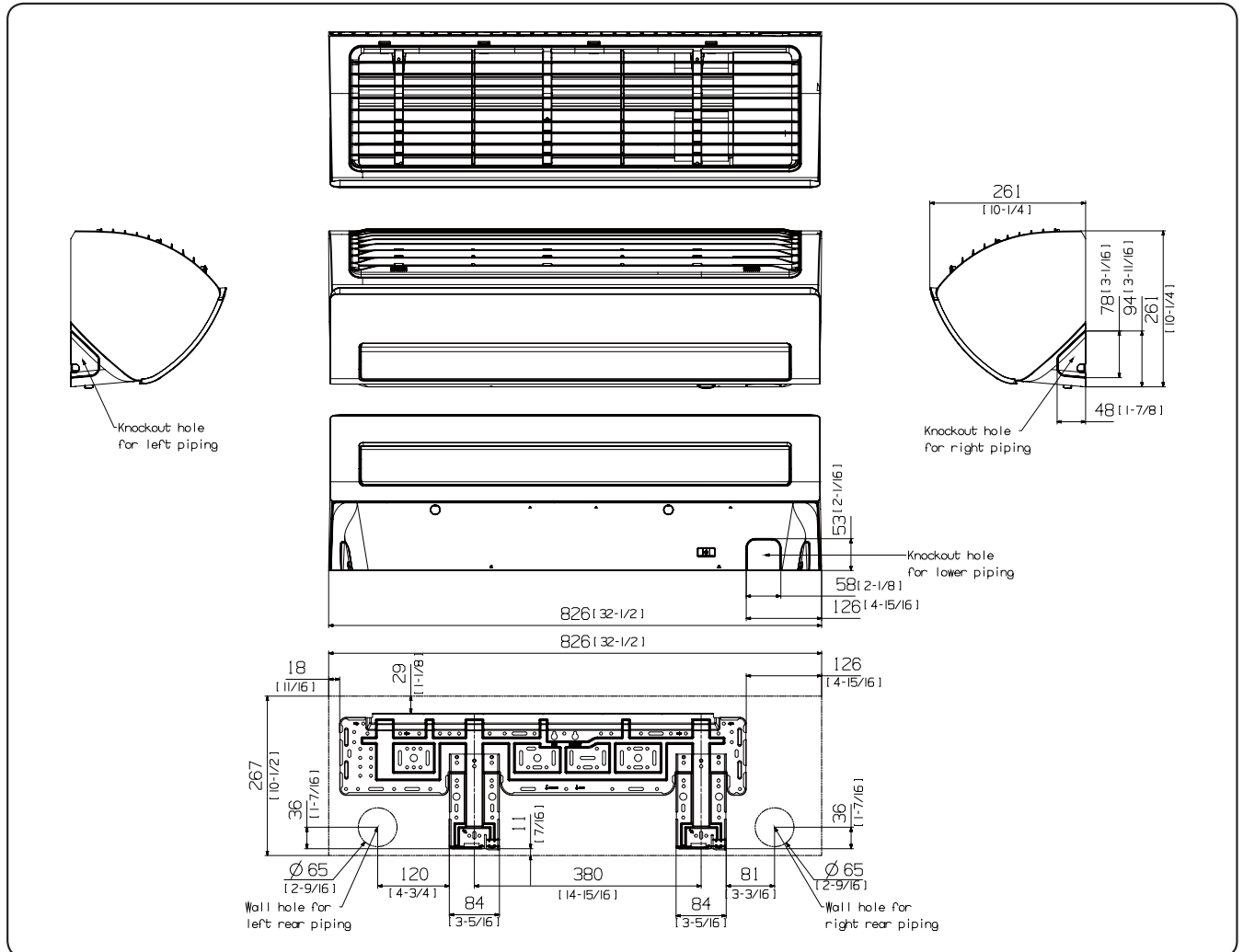
No	Name	Description	
		5.0kW	6.8kW
1	Liquid pipe connection	Φ6.35 (Φ1/4)	
2	Gas pipe connection	Φ12.7 (Φ1/2)	Φ15.88 (Φ5/8)
3	Drain pipe connection	ID18mm Hose	
4	Power & Communication wiring conduit	-	

# 5. Dimensional Drawing

## 5-2. Indoor units

AR5580 : AR07/09/12\*SWS\*\*N\*\*

Units : mm [inches]



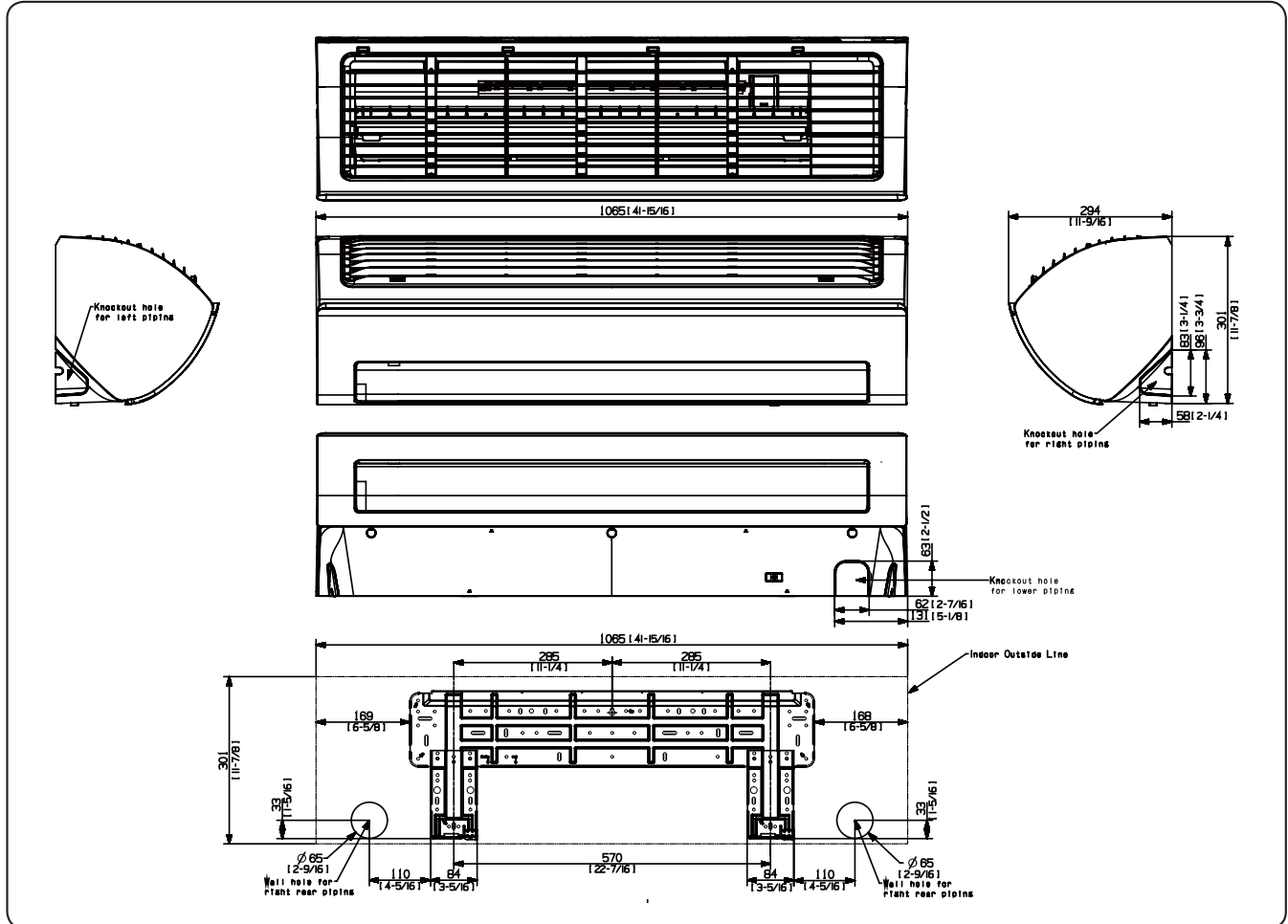
No	Name	Description		
		2.0kW	2.5kW	3.5kW
1	Liquid pipe connection		$\varnothing 6.35$ ( $\varnothing 1/4$ )	
2	Gas pipe connection		$\varnothing 9.52$ ( $\varnothing 3/8$ )	
3	Drain pipe connection		ID18mm Hose	
4	Power & Communication wiring conduit		-	

# 5. Dimensional Drawing

## 5-2. Indoor units

AR5580 : AR18/24\*SWS\*\*XN\*\*

Units : mm [inches]



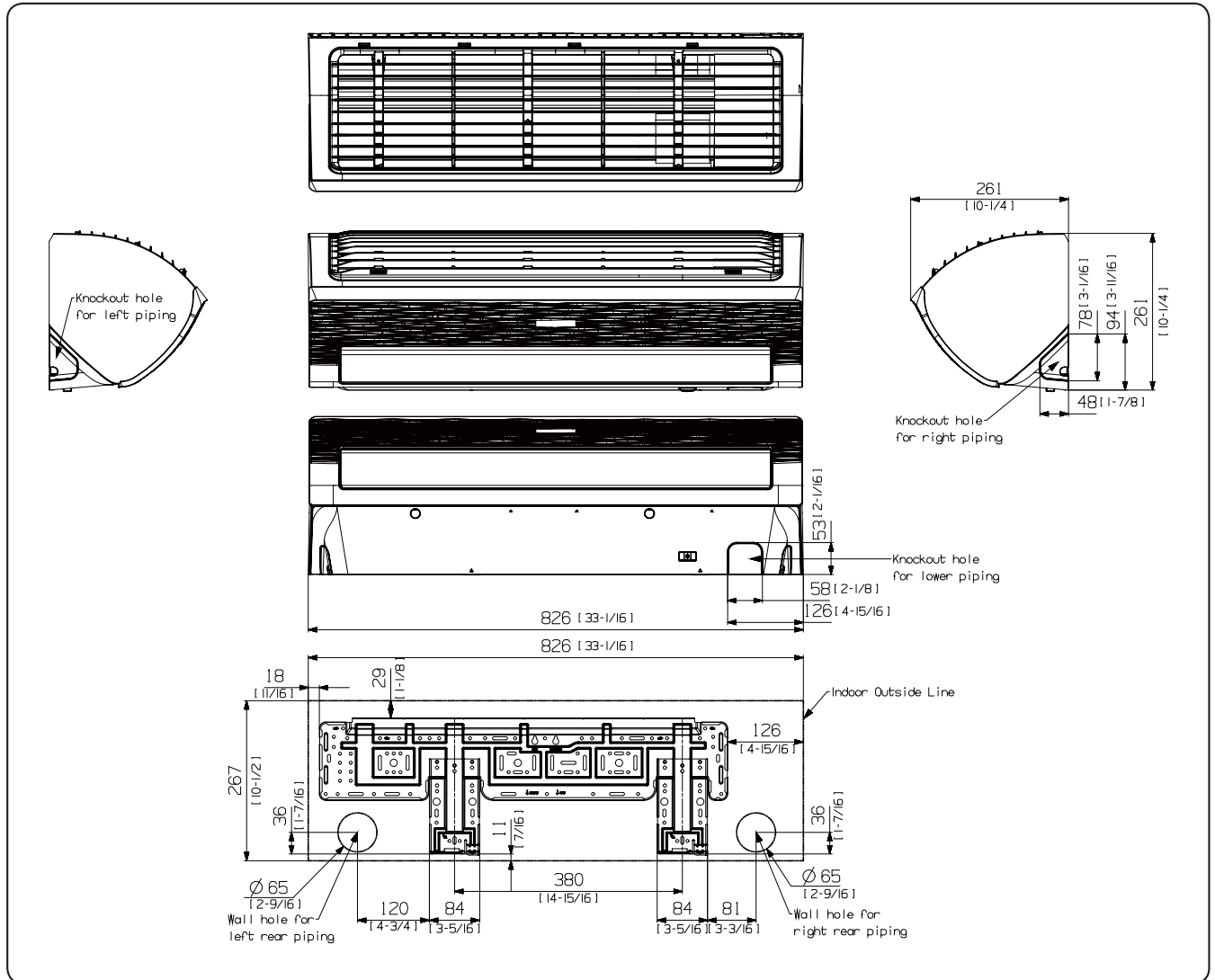
No	Name	Description	
		5.0kW	6.8kW
1	Liquid pipe connection	$\phi 6.35$ (1/4)	
2	Gas pipe connection	$\phi 12.7$ ( $\phi 1/2$ )	$\phi 15.88$ ( $\phi 5/8$ )
3	Drain pipe connection	ID18mm Hose	
4	Power & Communication wiring conduit	-	

# 5. Dimensional Drawing

## 5-2. Indoor units

AR5680 : AR07/09/12\*SWNAWKN\*\*

Units : mm [inches]



NO	Name	Description		
		2.0 kW	2.5 kW	3.5 kW
1	Liquid pipe connection		Φ6.35 (Φ1/4)	
2	Gas pipe connection		Φ9.52 (Φ3/8)	
3	Drain pipe connection		ID18mm Hose	
4	Power & Communication wiring conduit		-	

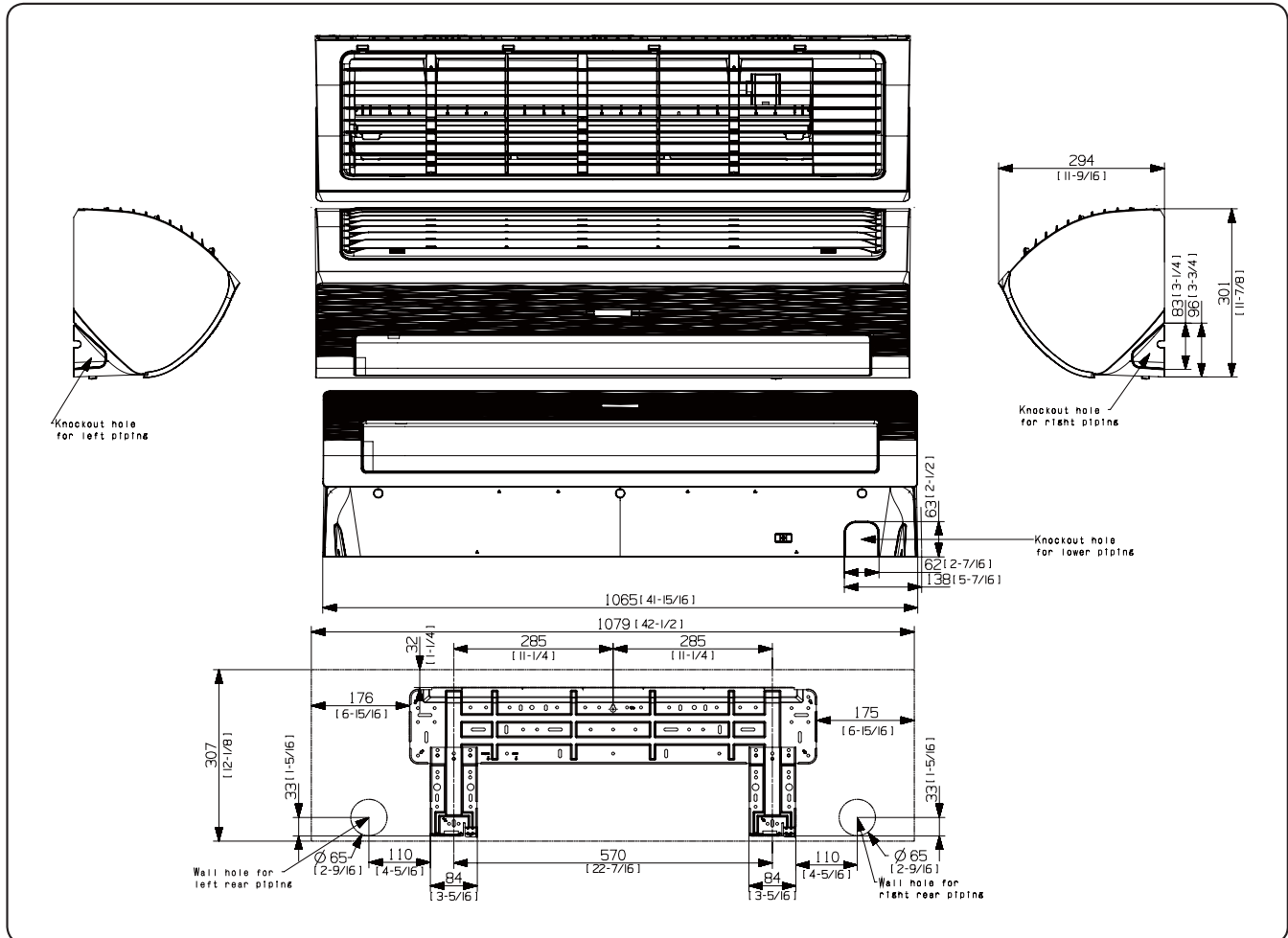


# 5. Dimensional Drawing

## 5-2. Indoor units

AR5680 : AR18/24\*SWNAWKN\*\*

Units : mm [inches]



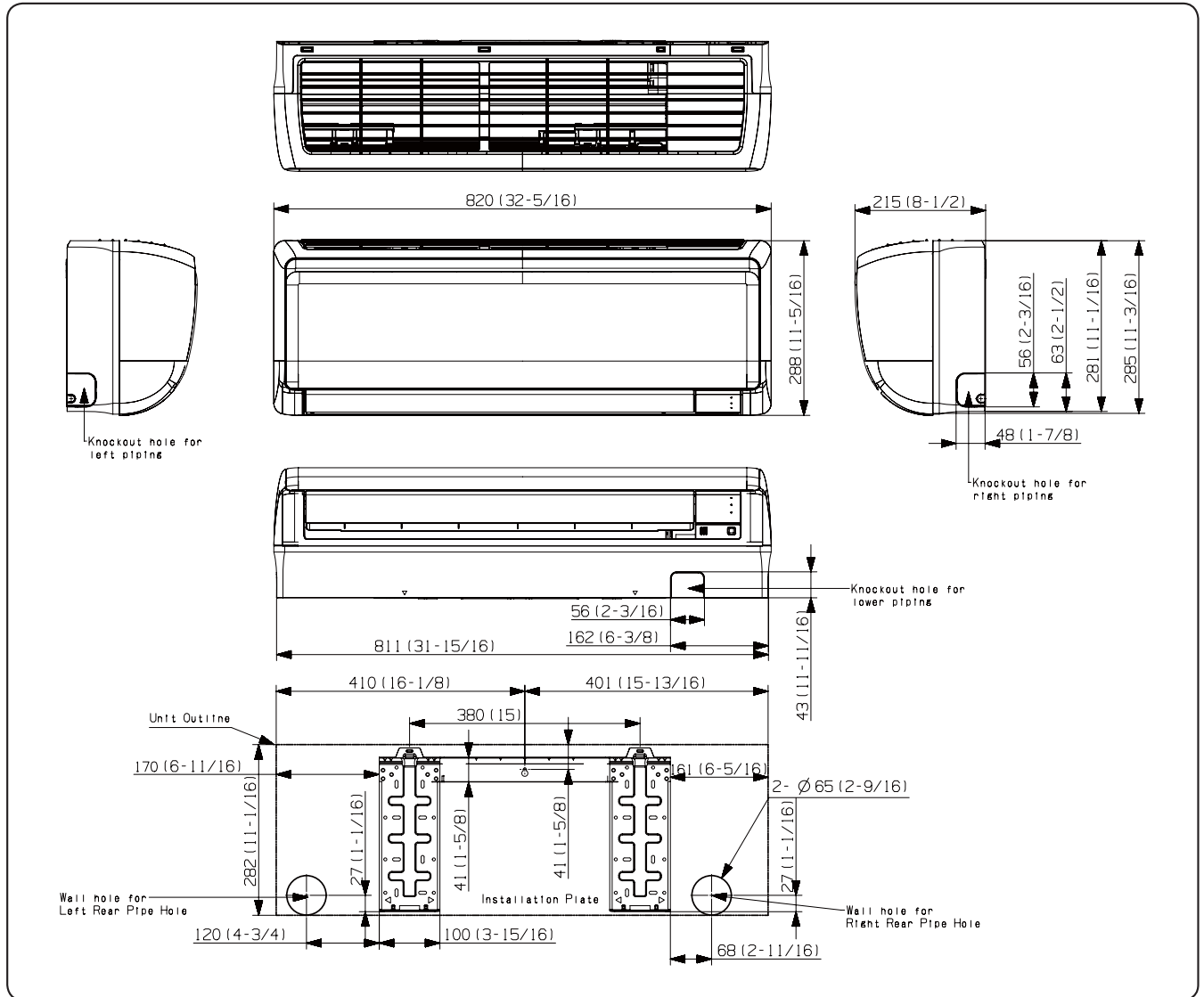
NO	Name	Description	
		5.0 kW	6.8 kW
1	Liquid pipe connection	$\varnothing 6.35$ ( $\varnothing 1/4$ )	
2	Gas pipe connection	$\varnothing 12.7$ ( $\varnothing 1/2$ )	$\varnothing 15.88$ ( $\varnothing 5/8$ )
3	Drain pipe connection	ID18mm Hose	
4	Power & Communication wiring conduit	-	

# 5. Dimensional Drawing

## 5-2. Indoor units

Maldives : AR07/09/12MSFPEWQN\*\*

Units : mm [inches]



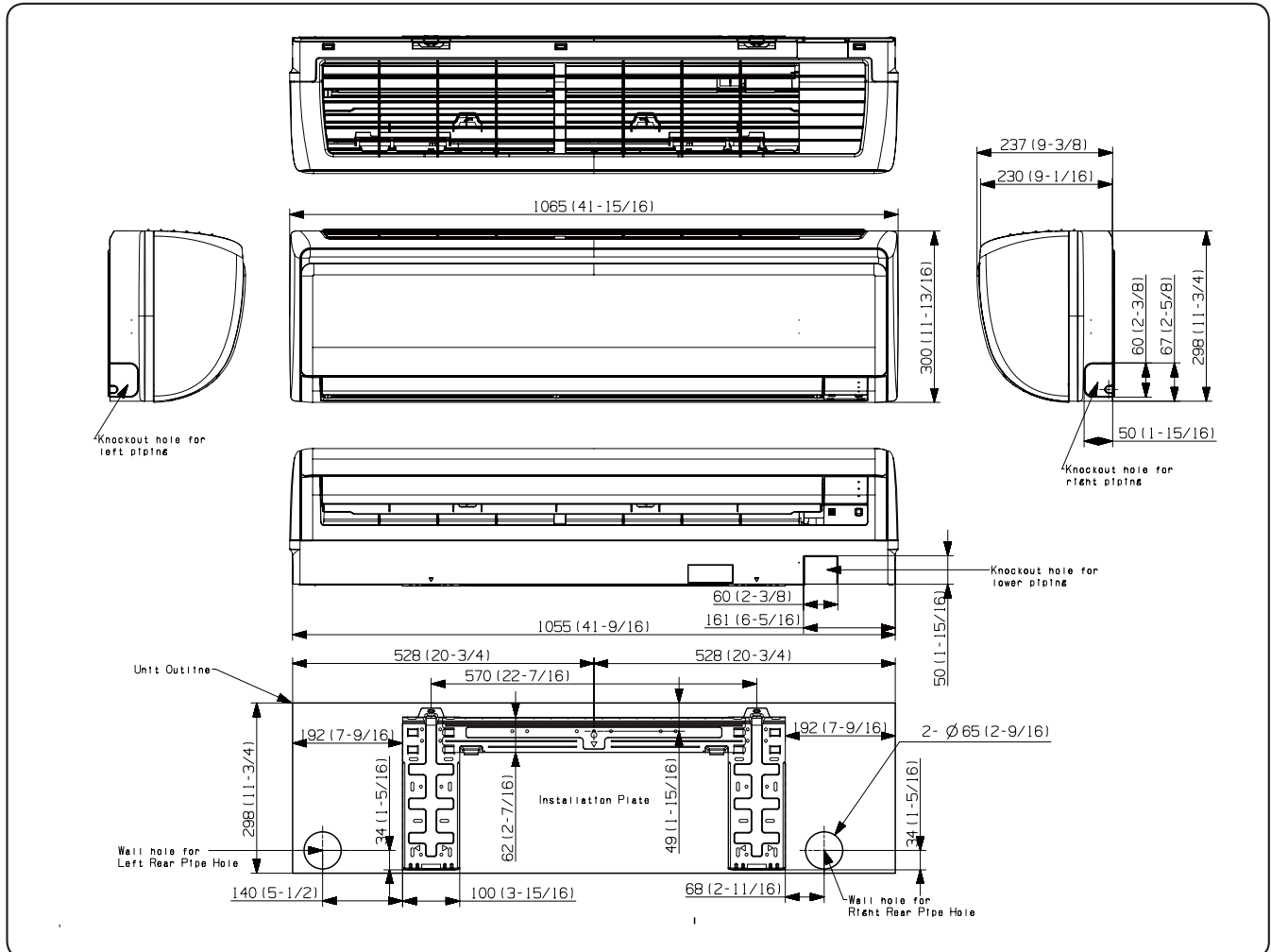
NO	Name	Description		
		2.0 kW	2.5 kW	3.5 kW
1	Liquid pipe connection		Φ6.35 (Φ1/4)	
2	Gas pipe connection		Φ9.52 (Φ3/8)	
3	Drain pipe connection		ID18mm Hose	
4	Power & Communication wiring conduit		-	

# 5. Dimensional Drawing

## 5-2. Indoor units

Maldives : AR18/24MSFPEWQN\*\*

Units : mm [inches]



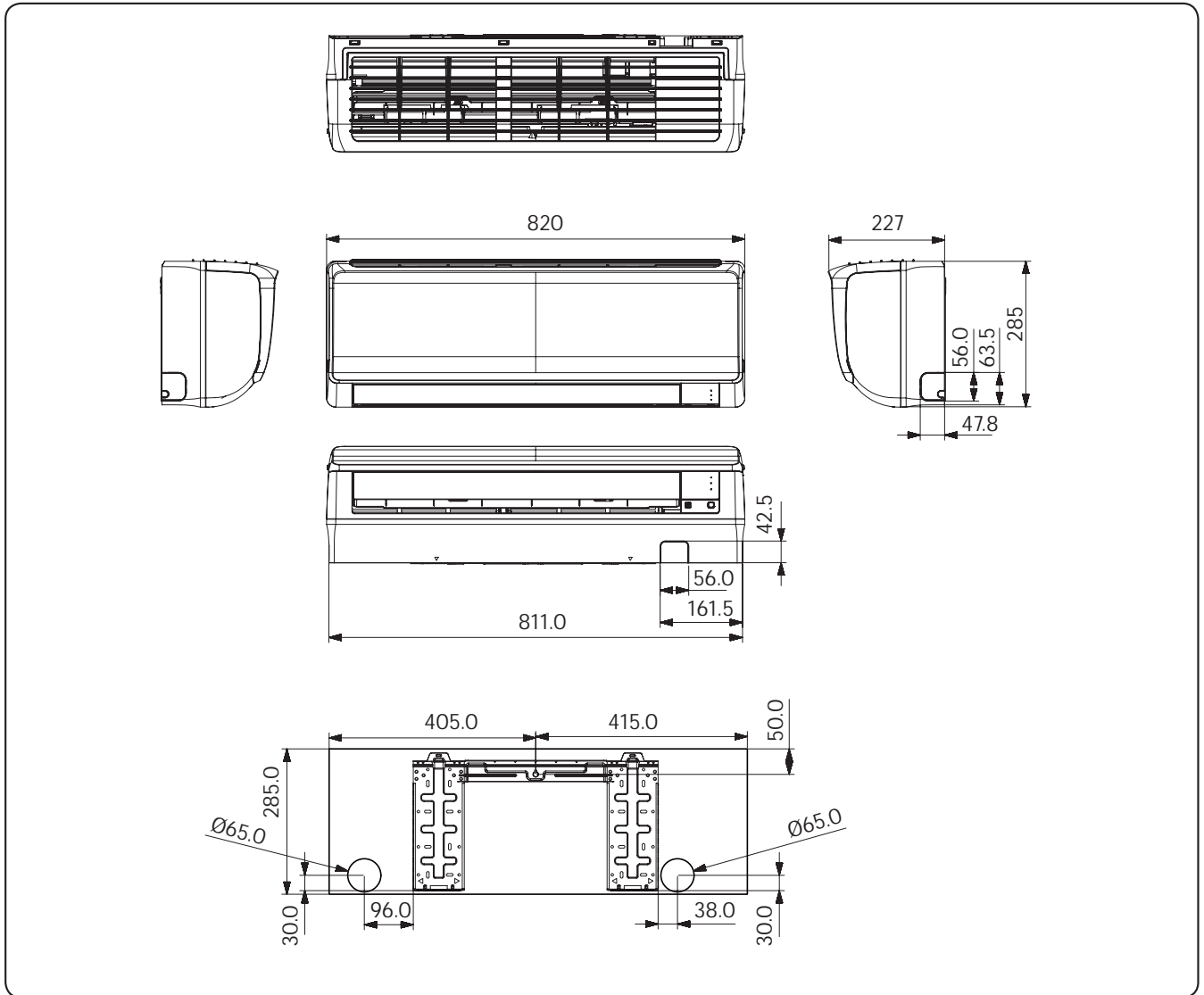
NO	Name	Description	
		5.0 kW	6.8 kW
1	Liquid pipe connection	Φ6.35 (Φ1/4)	
2	Gas pipe connection	Φ12.7 (Φ1/2)	Φ15.88 (Φ5/8)
3	Drain pipe connection	ID18mm Hose	
4	Power & Communication wiring conduit	-	

# 5. Dimensional Drawing

## 5-2. Indoor units

### New Boracay : AR07/09/12MSFHBWKN\*\*

Units : mm [inches]



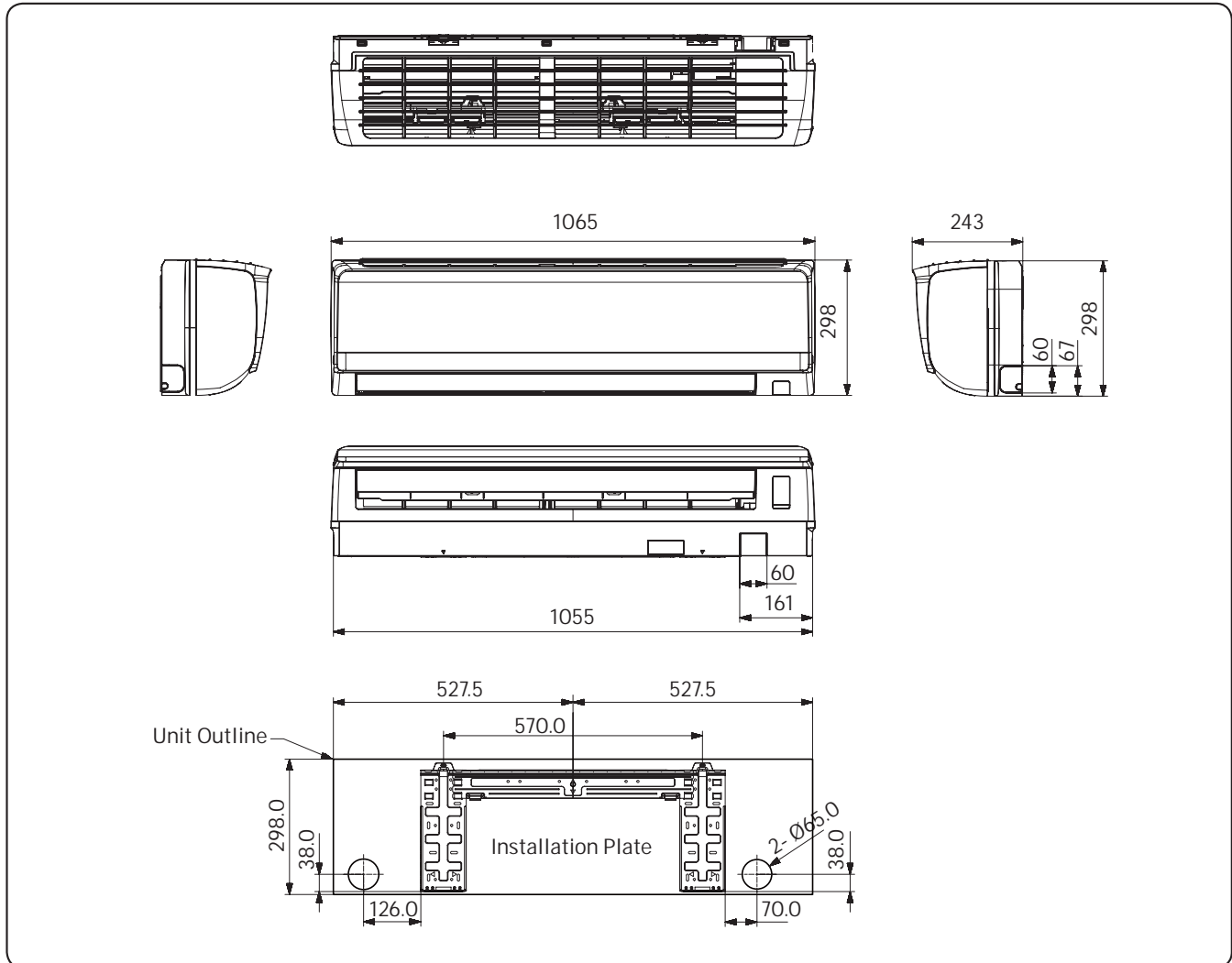
NO	Name	Description
1	Liquid pipe connection	$\text{Ø}6.35$ ( $\text{Ø}1/4$ )
2	Gas pipe connection	$\text{Ø}9.52$ ( $\text{Ø}3/8$ )
3	Drain pipe connection	ID18mm Hose
4	Power & Communication wiring conduit	-

# 5. Dimensional Drawing

## 5-2. Indoor units

New Boracay : AR18/24MSFHBWKN\*\*

Units : mm [inches]



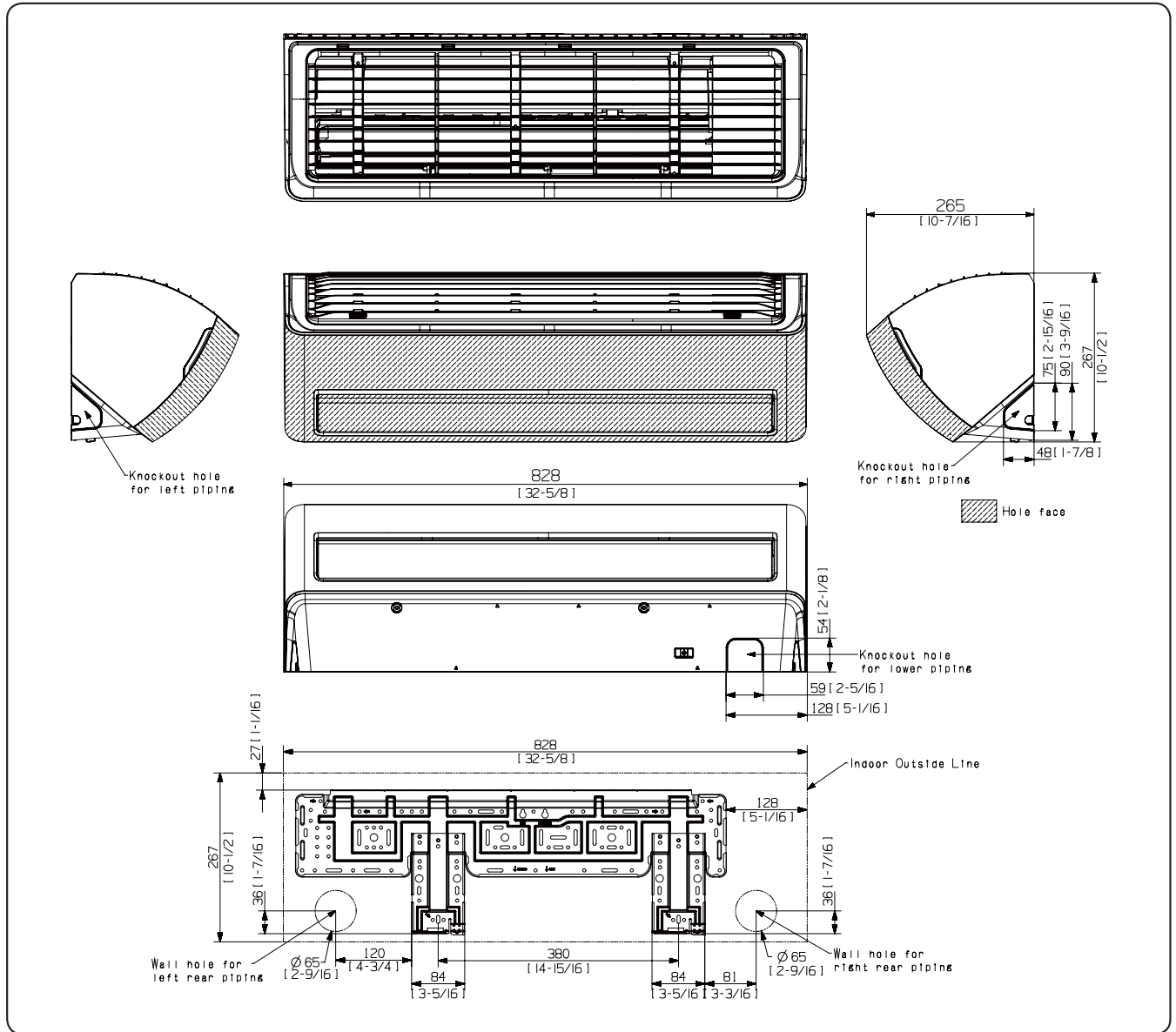
NO	Name	Description	
		045 / 056	071
1	Liquid pipe connection	Φ6.35 (Φ1/4)	Φ6.35 (Φ1/4)
2	Gas pipe connection	Φ12.7 (Φ1/2)	Φ15.88 (Φ5/8)
3	Drain pipe connection	ID18mm Hose	
4	Power & Communication wiring conduit	-	

# 5. Dimensional Drawing

## 5-2. Indoor units

Wind-Free : AR07/09/12MSPX\*\*XN\*\*

Units : mm [inches]



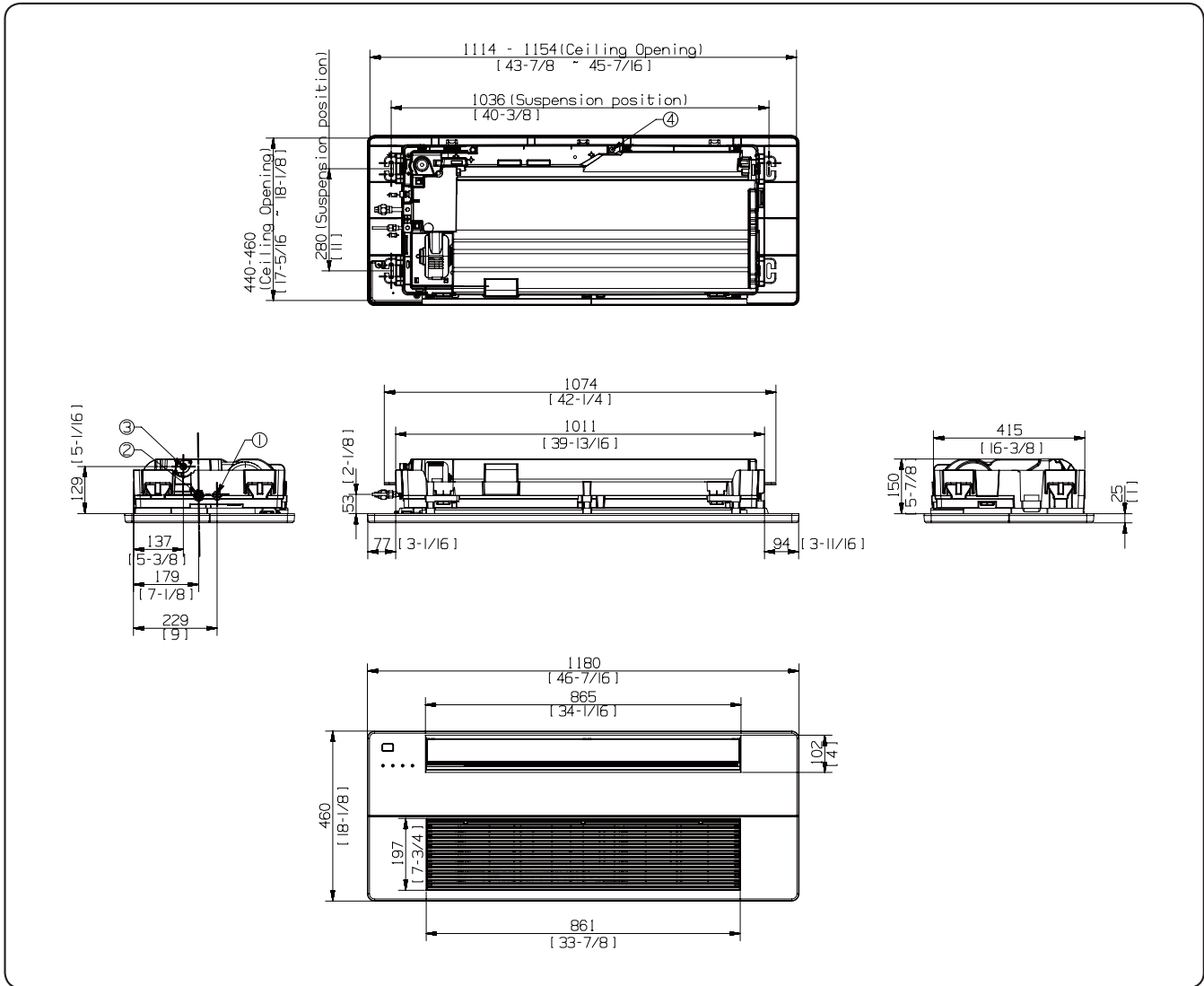
NO	Name	Description	
		2.5kW	3.5kW
1	Liquid pipe connection	$\phi 6.35$ ( $\phi 1/4$ )	
2	Gas pipe connection	$\phi 9.52$ ( $\phi 3/8$ )	
3	Drain pipe connection	ID18mm Hose	
4	Power & Communication wiring conduit	-	

# 5. Dimensional Drawing

## 5-2. Indoor units

### 1way Cassette : MH026/035FSEA

Units : mm [inches]



No	Name	Description
1	Liquid pipe connection	Φ6.35 (1/4)
2	Gas pipe connection	Φ9.52 (3/8)
3	Drain pipe connection	VP-20(OD26, ID20)
4	Power & Communication wiring conduit	-

### NOTE

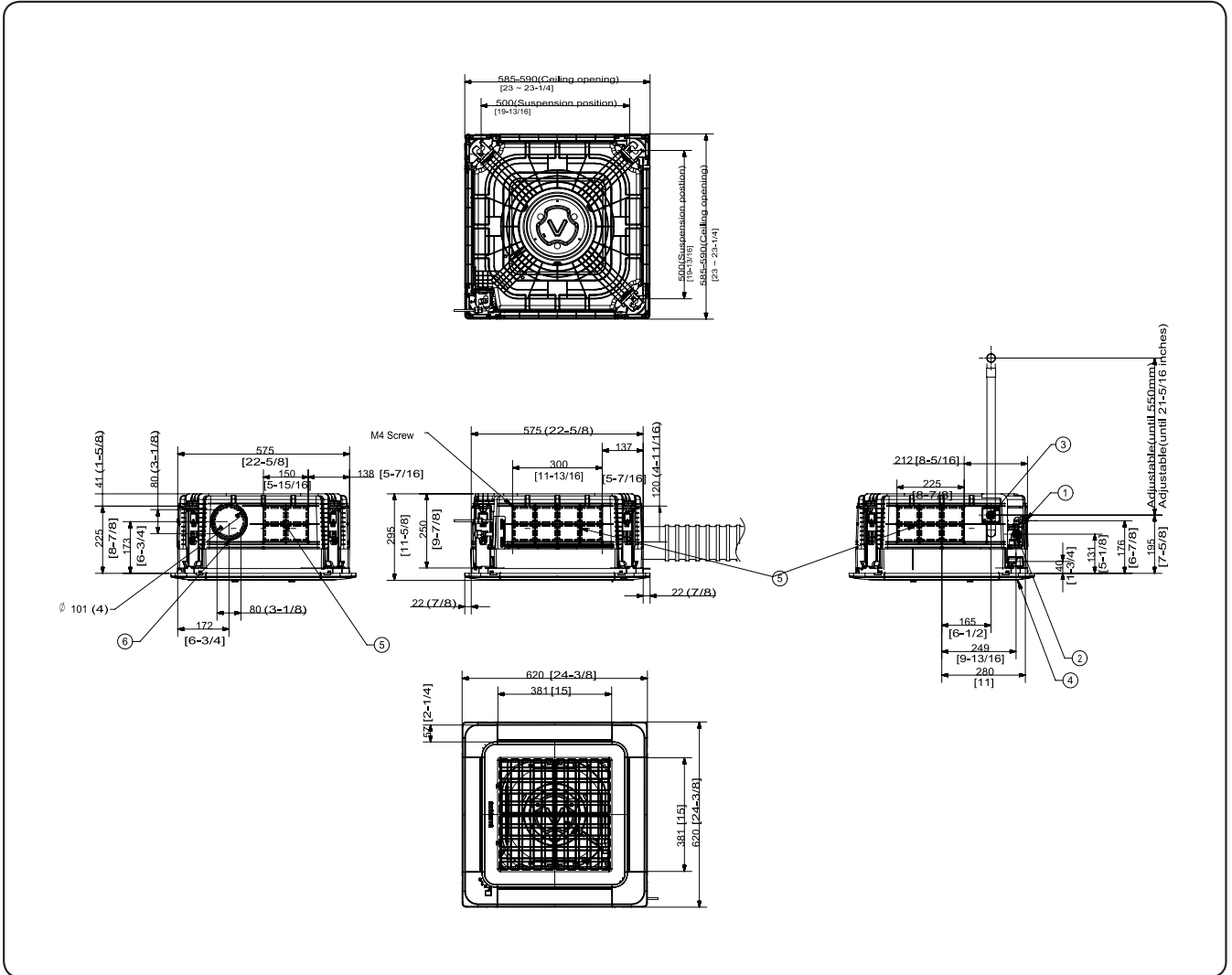
- As for suspension bolt, please use M8 ~ 10. (Produced at local site)

# 5. Dimensional Drawing

## 5-2. Indoor units

### 4way Cassette (600x600) : AJN016/020/026/035/052NDEHA\*\*

Units : mm [inches]



NO	Name	Description				
		1.6 kW	2.0 kW	2.6 kW	3.5 kW	5.2 kW
1	Liquid pipe connection	Φ6.35 (1/4)				
2	Gas pipe connection	Φ9.52 (3/8)			Φ12.7(1/2)	
3	Drain pipe connection	VP-25 (OD 32 mm, ID 25 mm)				
4	Power & Communication wiring conduit	-				
5	Sub duct connection	Use M4 Screw				
6	Knock hole for Fresh air intake	Φ101(4), Use M4 Screw				

#### NOTE

- As for suspension bolt, please use M10. (Produced at local site)

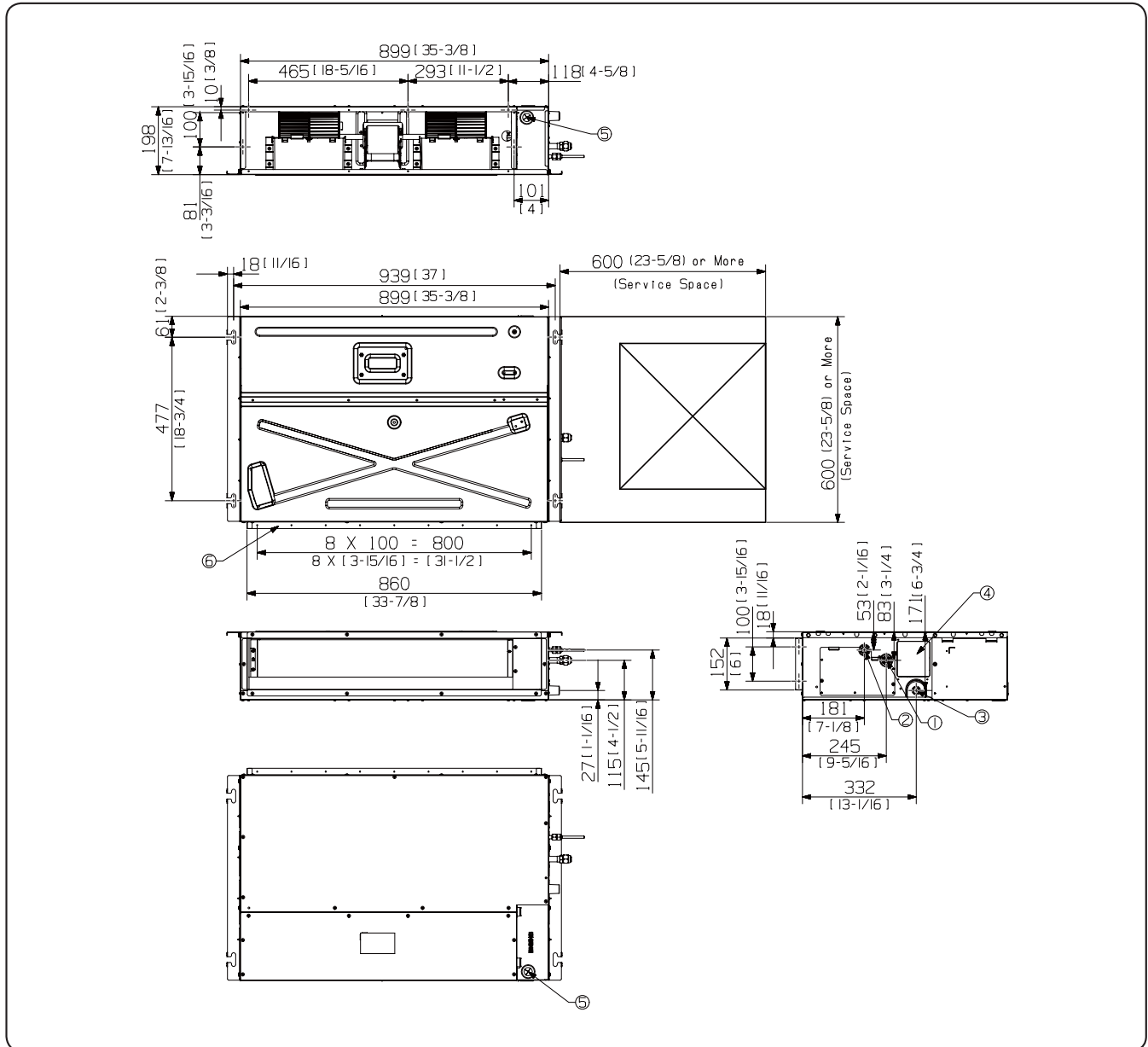


# 5. Dimensional Drawing

## 5-2. Indoor units

### Slim Duct : NJ026/035LHXEA

Units : mm [inches]



NO	Name	Description
1	Gas pipe connection	Φ9.52(3/8)
2	Liquid pipe connection	Φ6.35 (1/4)
3	Drain pipe connection	VP-25 (OD 32, ID 25)
4	Knockout hole for Drain pump	Option kit
5	Conduit for power supply & Communication wiring	-
6	Air outlet duct flange	-

### NOTE

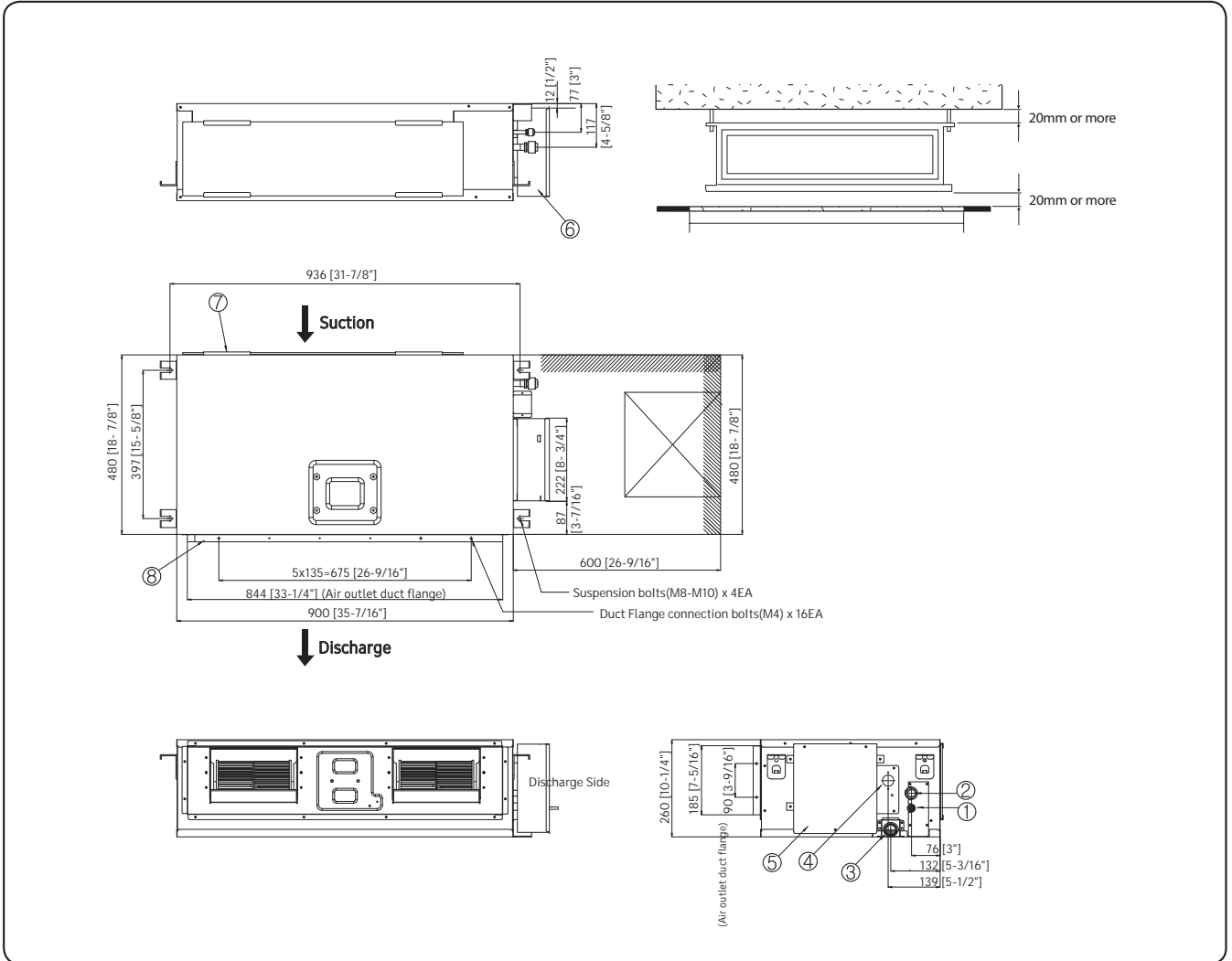
- As for drain pipe, please use VP25 (PVC, O.D.I - 1/4 (32 mm)).
- As for suspension bolt, please use M10 or W3/8. (Produced at local site)

# 5. Dimensional Drawing

## 5-2. Indoor units

### MSP Duct : MH052FUEA

Units : mm [inches]



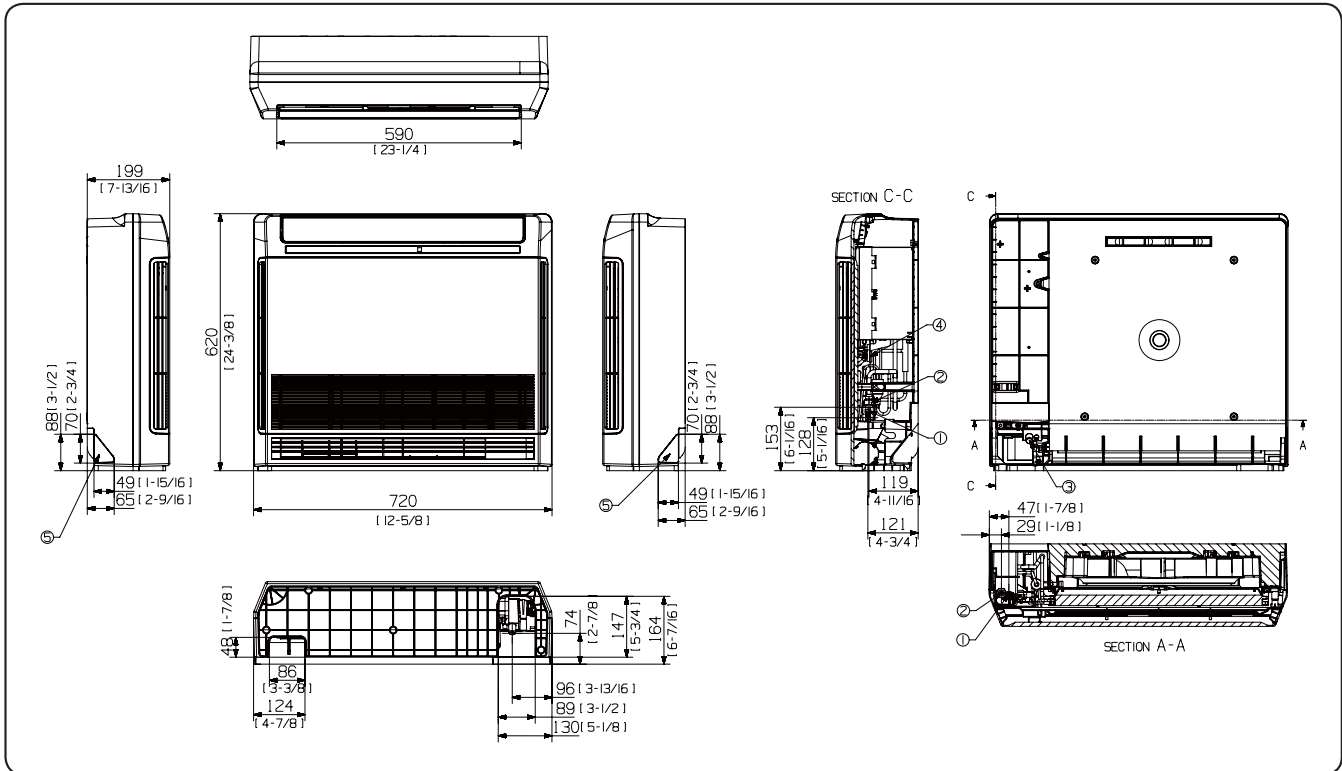
NO	Name	Description
1	Liquid pipe connection	Φ6.35 (1/4)
2	Gas pipe connection	Φ12.70(1/2)
3	Drain pipe connection	VP-25 (OD 32, ID 25)
4	Knockout hole for Drain pump	Option kit
5	Control unit	-
6	Conduit for power supply & Communication wiring	-
7	Return air side	-
8	Air outlet duct flange	-

# 5. Dimensional Drawing

## 5-2. Indoor units

Console : MH026/035/052FJEA

Units : mm [inches]

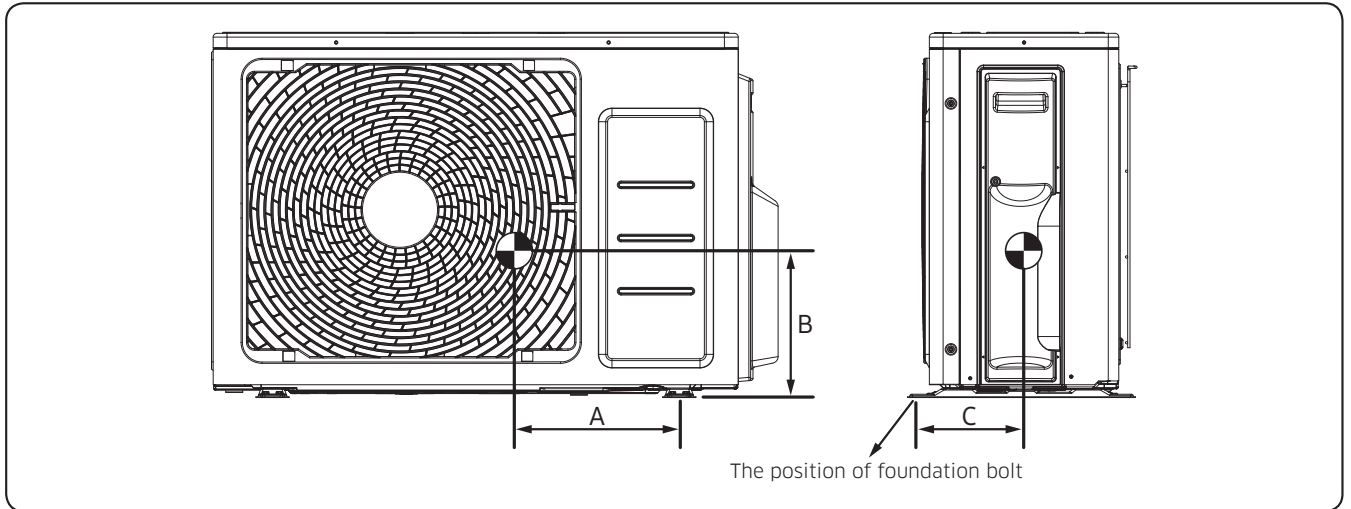


NO	Name	Description	
		AC026MNJDKH/EU	AC035MNJDKH/EU AC052MNJDKH/EU
1	Liquid pipe connection	Φ6.35(1/4)	
2	Gas pipe connection	Φ9.52(3/8)	Φ12.7(1/2)
3	Drain pipe connection	ID18mm [11/16inch] Hose	
4	Power supply & Communication wiring conduit	-	
6	Knockout hole for drain hose	-	

# 6. Center of Gravity

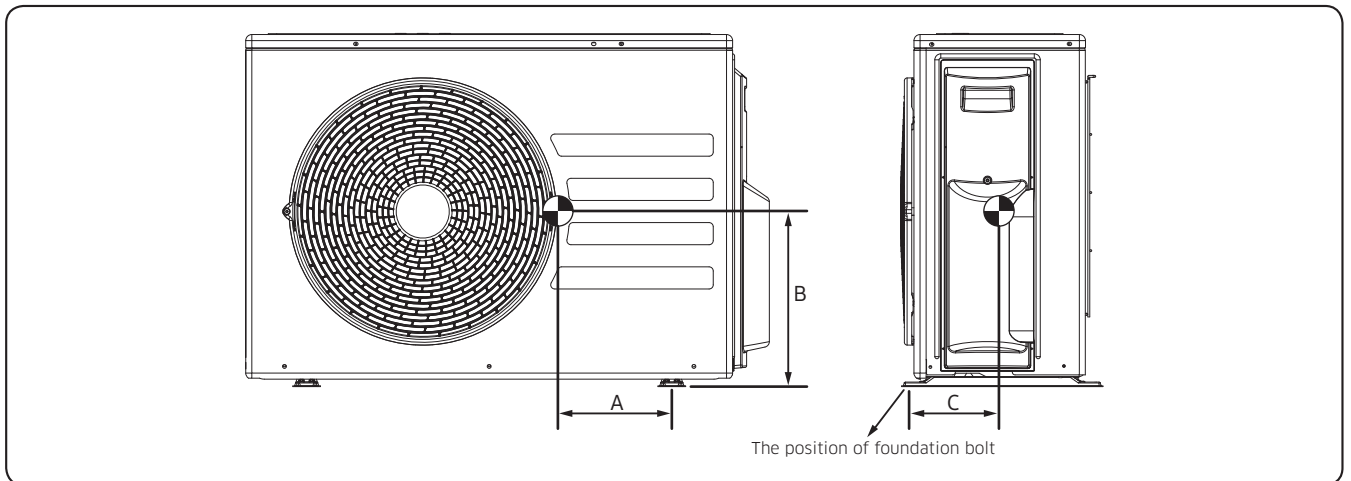
## 6-1. Outdoor units

### AJ040/050MCJ2EH\*\*



Model	A	B	C
AJ040/050MCJ2EH**	232	223	165

### AJ052MCJ3EH\*\*

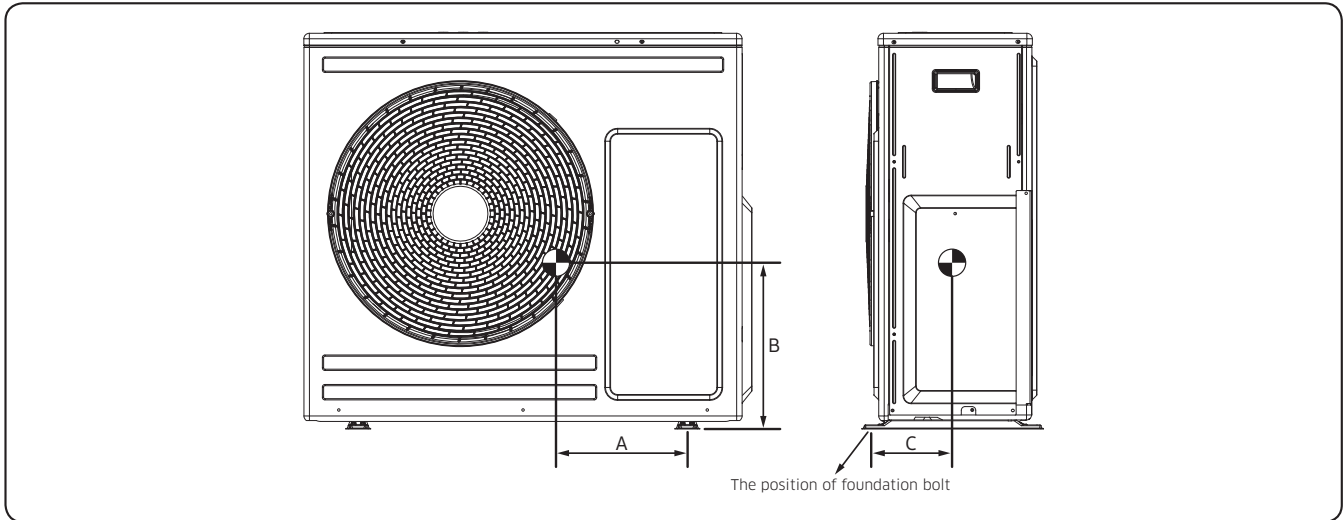


Model	A	B	C
AJ052MCJ3EH**	219	289	150

# 6. Center of Gravity

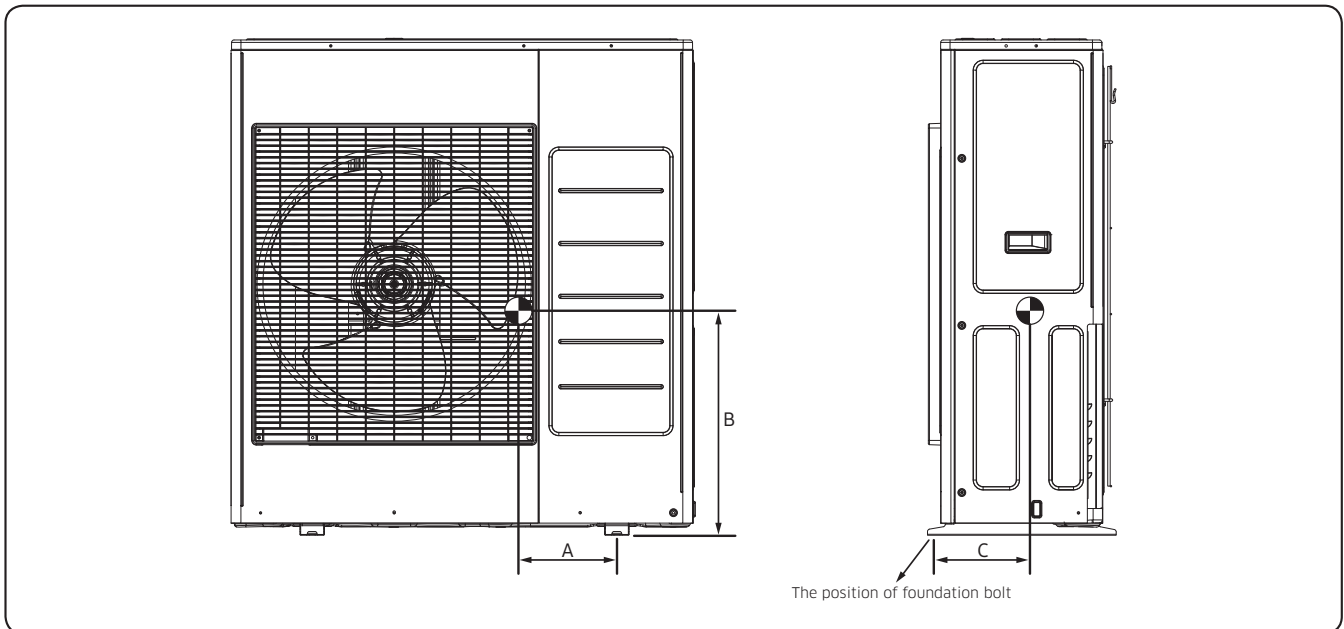
## 6-1. Outdoor units

### AJ068MCJ3EH\*\*, AJ070/080MCJ4EH\*\*



Model	A	B	C
AJ068MCJ3EH**, AJ070/080MCJ4EH**	246	349	146

### AJ100MCJ5EH\*\*

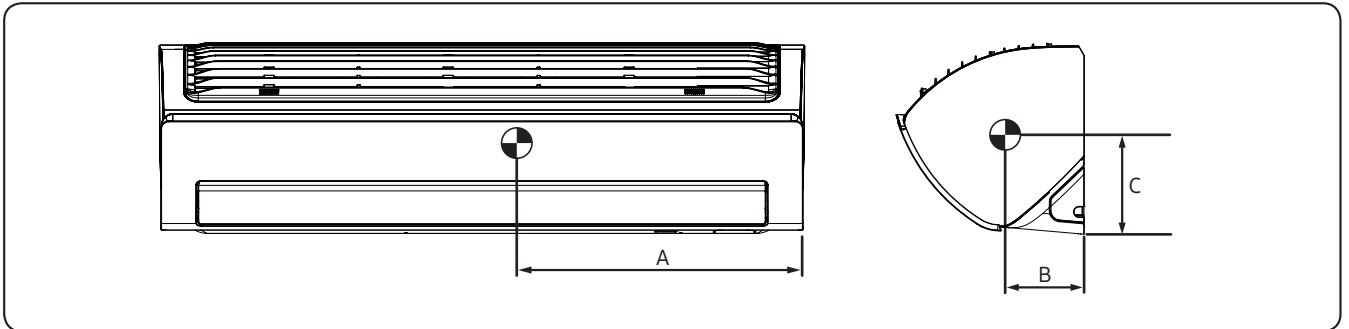


Model	A	B	C
AJ100MCJ5EH**	207	444	176

# 6. Center of Gravity

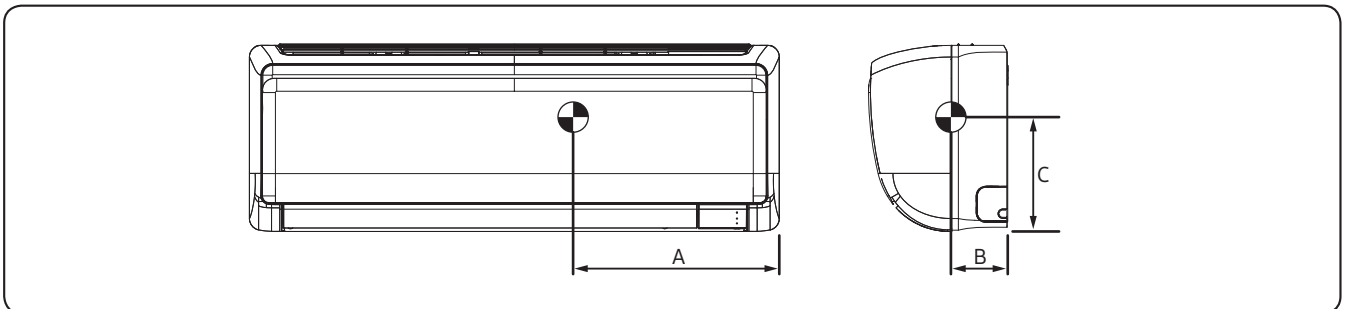
## 6-2. Indoor units

### A3050 (AR9570, AR7580, AR5580, AR5680, Wind-Free)



Model	A	B	C
AR9570	415	105	130
AR7580/5580/5680 (2.0/2.5/3.5kW)	370	105	130
AR7580/5580/5680 (5.0/6.8kW)	470	105	130
Wind-Free (2.0/2.5/3.5kW)	370	105	130

### Maldives : AR07/09/12/18/24MSFPEWQN\*\*

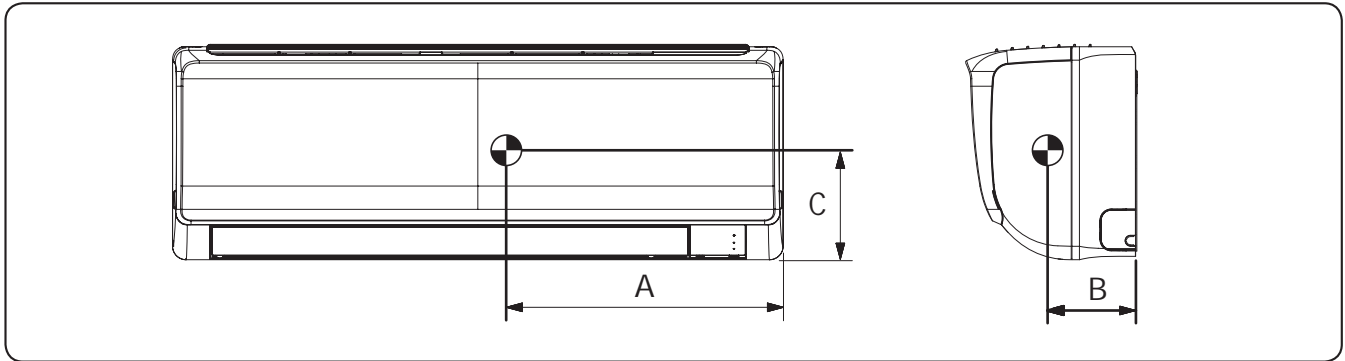


Model	A	B	C
2.0/2.5/3.5kW	380	100	155
5.0/6.8kW	465	115	160

# 6. Center of Gravity

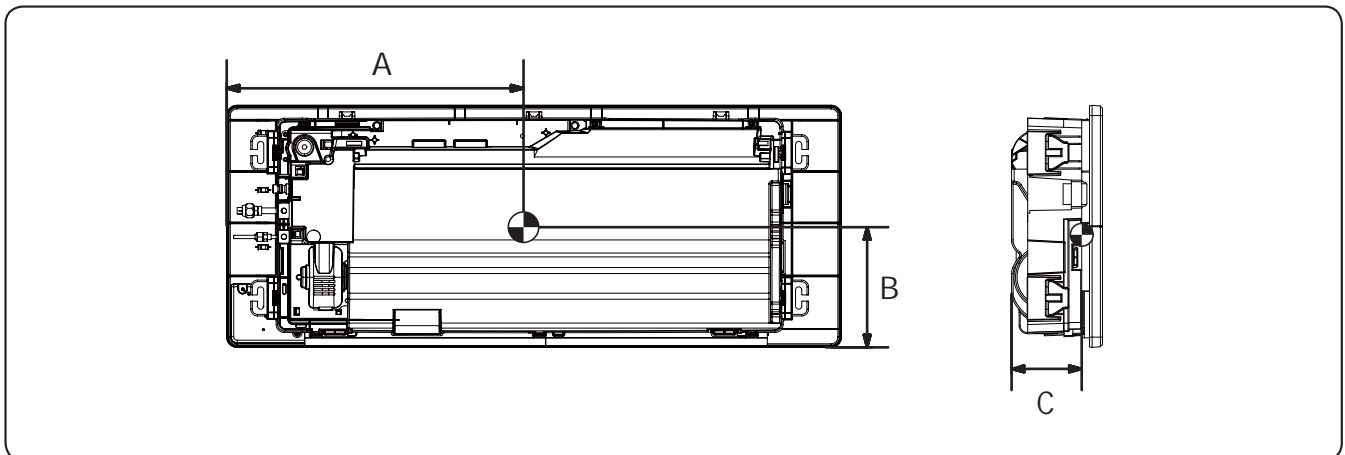
## 6-2. Indoor units

### New Boracay : AR07/09/12/18/24MSFHBWKN\*\*



Model	A	B	C
2.0/2.5/3.5kW	375	105	155
5.0/6.8kW	460	120	160

### 1way Cassette : MH026/035FSEA

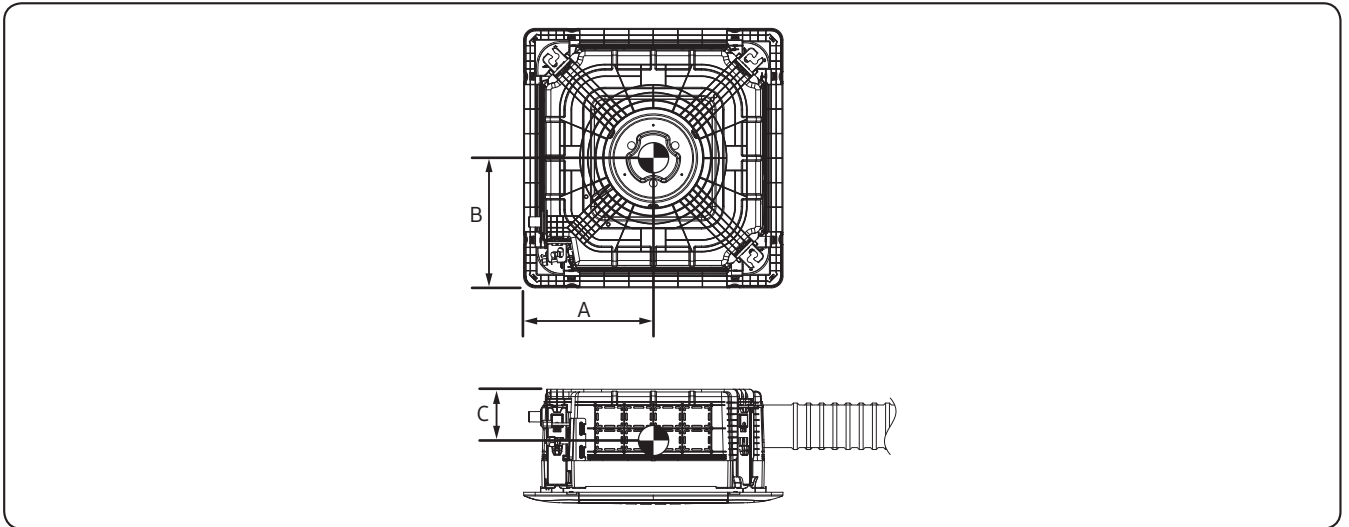


Model	A	B	C
MH026/035FSEA	545	210	108

# 6. Center of Gravity

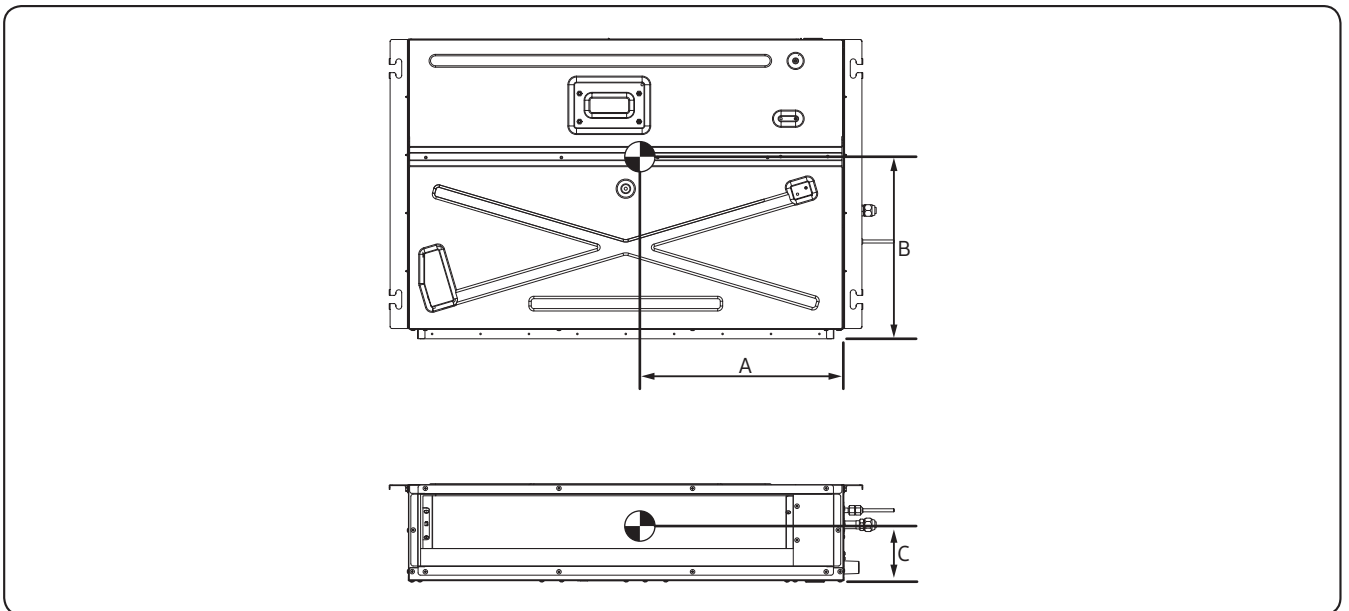
## 6-2. Indoor units

### 4way Cassette (600x600) : AJN016/020/026/035/052NDEHA\*\*



Model	A	B	C
AJN016/020/026/035/052NDEHA**	295	320	145

### Slim / MSP Duct : NJ026/035LHXEA, MH052FUEA



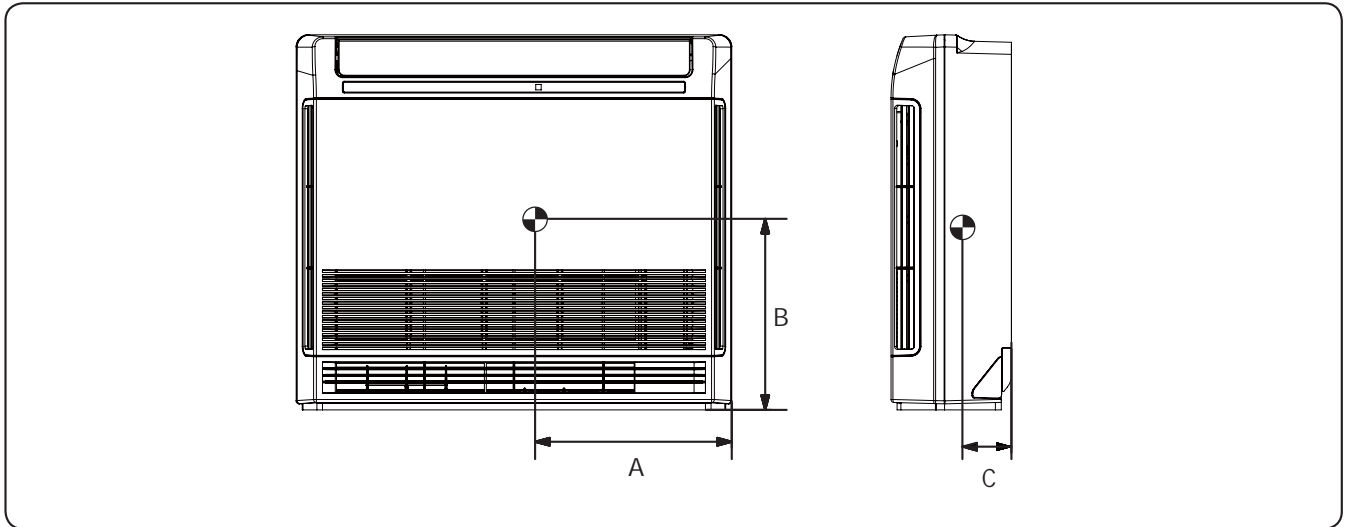
Model	A	B	C
NJ026/035LHXEA	450	335	105
MH052FUEA	430	265	130



# 6. Center of Gravity

## 6-2. Indoor units

Console : MH026/035/052FJEA

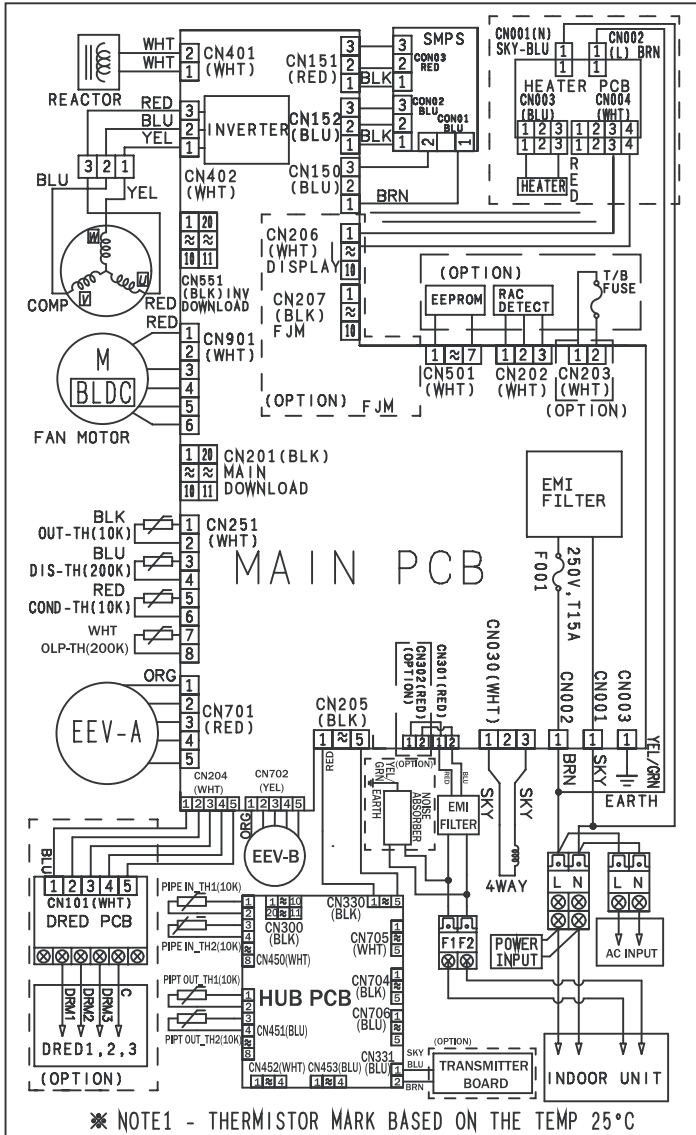


Model	A	B	C
NJ026/035/052LHXEA	410	320	90

# 7. Electrical Wiring Diagram


## 7-1. Outdoor units

### AJ040/050MCJ2EH\*\*



MAIN PCB	Printed circuit board(MAIN PCB)
HUB PCB	Printed circuit board(HUB PCB)
DRED	Printed circuit board(DRED PCB)
RAC DETECT	Printed circuit board(RAC DETECT PCB)
HEATER	Printed circuit board(HEATER PCB)
SMPS	Printed circuit board(SMPS PCB)
EEPROM PCB	Printed circuit board(EEPROM PCB)
EMI FILTER	Printed circuit board(EMI FILTER PCB)
NOISE ABSORBER	Printed circuit board(NOISE ABSORBER PCB)
DIS-TH	Thermistor(Discharge Temp._200Kohm)
OUT-TH	Thermistor(AmbientTemp._10Kohm)
OLP-TH	Thermistor(Compressor Top Temp._200Kohm)
COND-TH	Thermistor(Cond Out Temp._10Kohm)
BLDC	Motor(BLDC FAN Motor)
EEV-A	Electronic expansion valve A
EEV-B	Electronic expansion valve B
COMP	Motor(COMPRESSOR)
4- WAY	4WAY VALVE
PIPE IN_TH1	Thermistor(EVA IN Temp._10Kohm)
PIPE IN_TH2	Thermistor(EVA IN Temp._10Kohm)
PIPE OUT_TH1	Thermistor(EVA OUT Temp._10Kohm)
PIPE OUT_TH2	Thermistor(EVA OUT Temp._10Kohm)

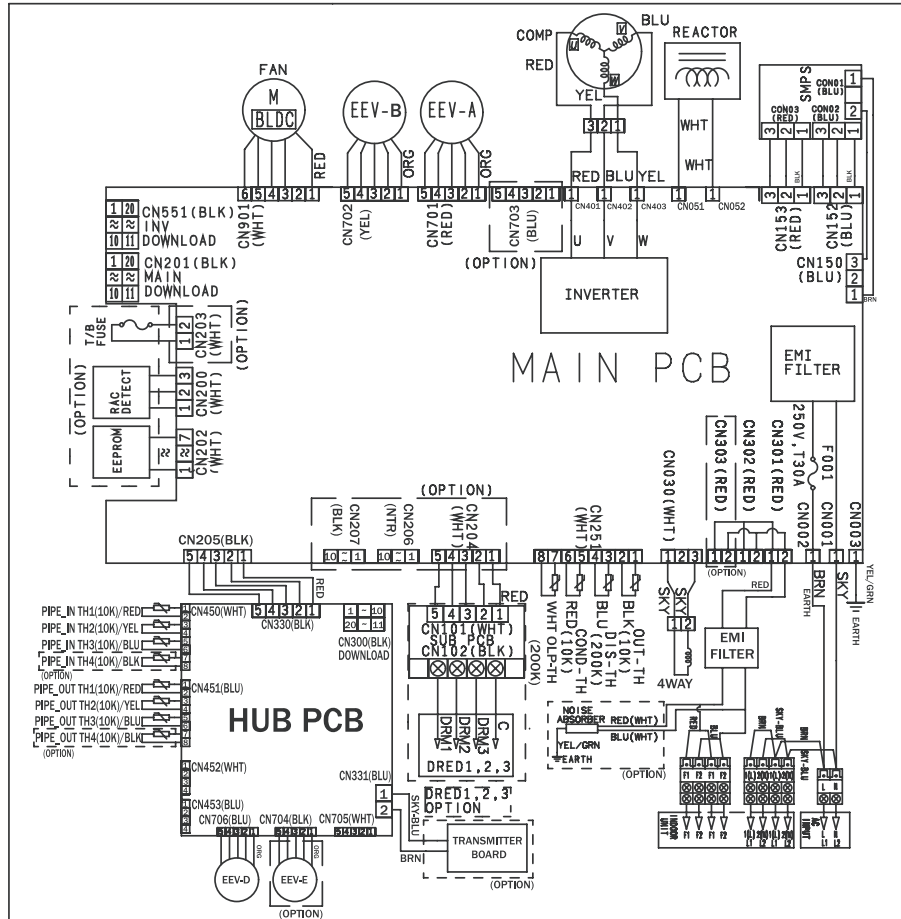
### NOTE

- This wiring diagram applies only to the outdoor unit.
- Colors BLK : black, BRN : brown, SKY-BLU : sky-blue, GRN/YEL : green/yellow, RED : red, YEL : yellow, ORG : orange, BLU : blue, WHT:white
- For connection wiring indoor-outdoor transmission F1-F2, refer to the installation manual
-  Protective earth(screw)

# 7. Electrical Wiring Diagram


## 7-1. Outdoor units

AJ052/068MCJ3EH\*\* , AJ070/080MCJ4EH\*\*



MAIN PCB	Printed circuit board(MAIN PCB)	COND-TH	Thermistor(Cond Out Temp._10Kohm)	PIPE OUT_TH3	Thermistor(EVA OUT Temp._10Kohm)
HUB PCB	Printed circuit board(HUB PCB)	BLDC	Motor(BLDC FAN Motor)	PIPE OUT_TH4	Thermistor(EVA OUT Temp._10Kohm)
DRED	Printed circuit board(DRED PCB)	COMP	Motor(COMPRESSOR)	EEV-A	Electronic expansion valve A
RAC DETECT	Printed circuit board(RAC DETECT PCB)	4-WAY	4WAY VALVE	EEV-B	Electronic expansion valve B
HEATER	Printed circuit board(HEATER PCB)	PIPE_IN_TH1	Thermistor(EVA IN Temp._10Kohm)	EEV-C	Electronic expansion valve C
SMPS	Printed circuit board(SMPS PCB)	PIPE_IN_TH2	Thermistor(EVA IN Temp._10Kohm)	EEV-D	Electronic expansion valve D
EEPROM PCB	Printed circuit board(EEPROM PCB)	PIPE_IN_TH3	Thermistor(EVA IN Temp._10Kohm)	EMI FILTER	Printed circuit board(EMI FILTER PCB)
DIS-TH	Thermistor(Discharge Temp._200Kohm)	PIPE_IN_TH4	Thermistor(EVA IN Temp._10Kohm)	NOISE ABSORBER	Printed circuit board(NOISE ABSORBER PCB)
OUT-TH	Thermistor(AmbientTemp._10Kohm)	PIPE_OUT_TH1	Thermistor(EVA OUT Temp._10Kohm)		
OLP-TH	Thermistor(Compressor Top Temp._200Kohm)	PIPE_OUT_TH2	Thermistor(EVA OUT Temp._10Kohm)		

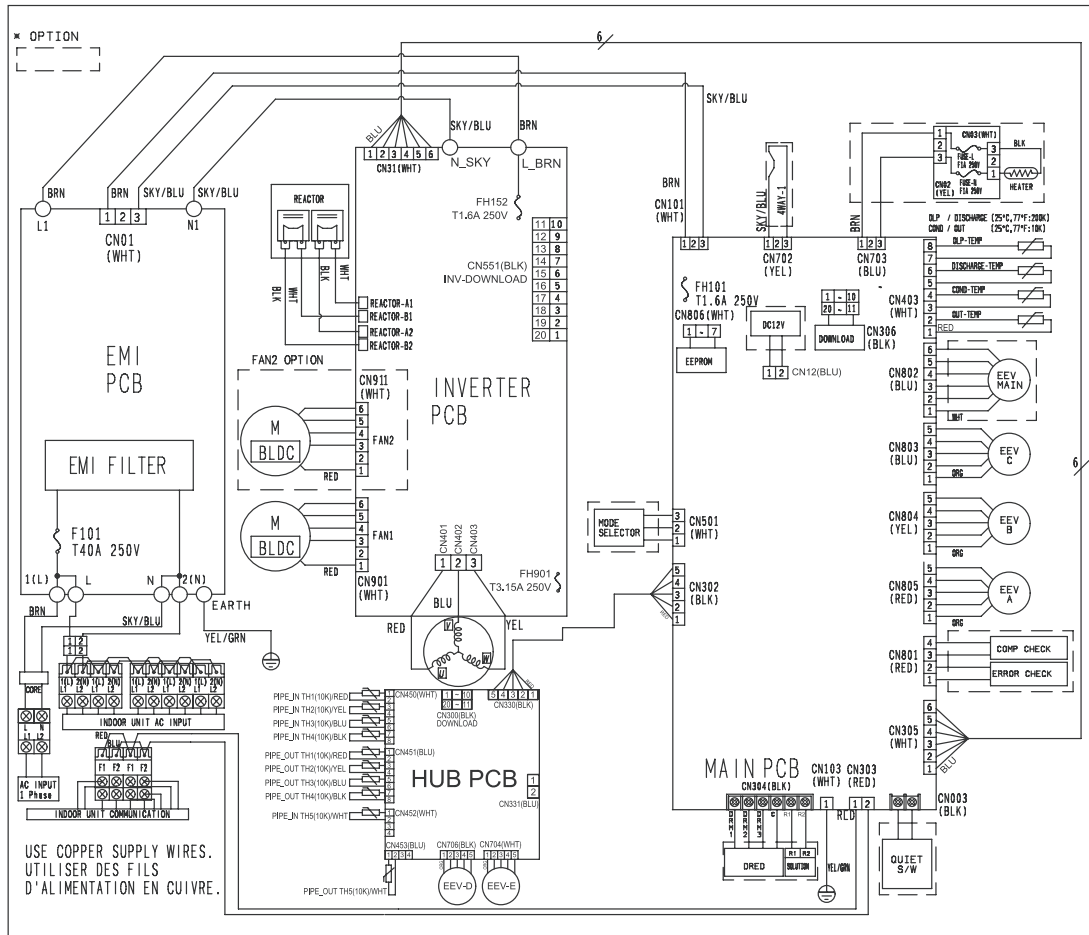
### NOTE

- This wiring diagram applies only to the outdoor unit.
- Colors BLK : black, BRN : brown, SKY-BLU : sky-blue, GRN/YEL : green/yellow, RED : red, YEL : yellow, ORG : orange, BLU : blue, WHT:white
- For connection wiring indoor-outdoor transmission F1-F2, refer to the installation manual
-  Protective earth(screw)

# 7. Electrical Wiring Diagram

## 7-1. Outdoor units

### AJ100MCJ5EH\*\*



MAIN PCB	Printed circuit board(MAIN PCB)	DIS-TH	Thermistor(Discharge Temp._200Kohm)	PIPE_OUT_TH2	Thermistor(EVA OUT Temp._10Kohm)
HUB PCB	Printed circuit board(HUB PCB)	OUT-TH	Thermistor(AmbientTemp._10Kohm)	PIPE_OUT_TH3	Thermistor(EVA OUT Temp._10Kohm)
INVERTER PCB	Printed circuit board(INVERTER PCB)	OLP-TH	Thermistor(Compressor Top Temp._200Kohm)	PIPE_OUT_TH4	Thermistor(EVA OUT Temp._10Kohm)
EMI PCB	Printed circuit board(EMI PCB)	COND-TH	Thermistor(Cond Out Temp._10Kohm)	PIPE_OUT_TH5	Thermistor(EVA OUT Temp._10Kohm)
EEPROM PCB	Printed circuit board(EEPROM PCB)	HOT GAS	HOT GAS VALVE	EVA-IN	Thermistor
BLDC	Motor(BLDC FAN Motor)	4- WAY	4WAY VALVE	WATER_OUT	Thermistor(WATER OUT)
COMP	Motor(COMPRESSOR)	PIPE_IN_TH1	Thermistor(EVA IN Temp._10Kohm)	WATER_IN	Thermistor(WATER IN)
EEV-A	Electronic expansion valve A	PIPE_IN_TH2	Thermistor(EVA IN Temp._10Kohm)	D_TUBE-TEMP	Thermistor(D_TUBE)
EEV-B	Electronic expansion valve B	PIPE_IN_TH3	Thermistor(EVA IN Temp._10Kohm)	SUCTION-TEMP	Thermistor(SUCTION)
EEV-C	Electronic expansion valve C	PIPE_IN_TH4	Thermistor(EVA IN Temp._10Kohm)	MID PRESSURE	SENSOR(MID PRESSURE)
EEV-D	Electronic expansion valve D	PIPE_IN_TH5	Thermistor(EVA IN Temp._10Kohm)	MID PRESSURE	SENSOR(HIGH PRESSURE)
EEV-E	Electronic expansion valve E	PIPE_OUT_TH1	Thermistor(EVA OUT Temp._10Kohm)	MID PRESSURE	SENSOR(LOW PRESSURE)
EEV-F	Electronic expansion valve F				

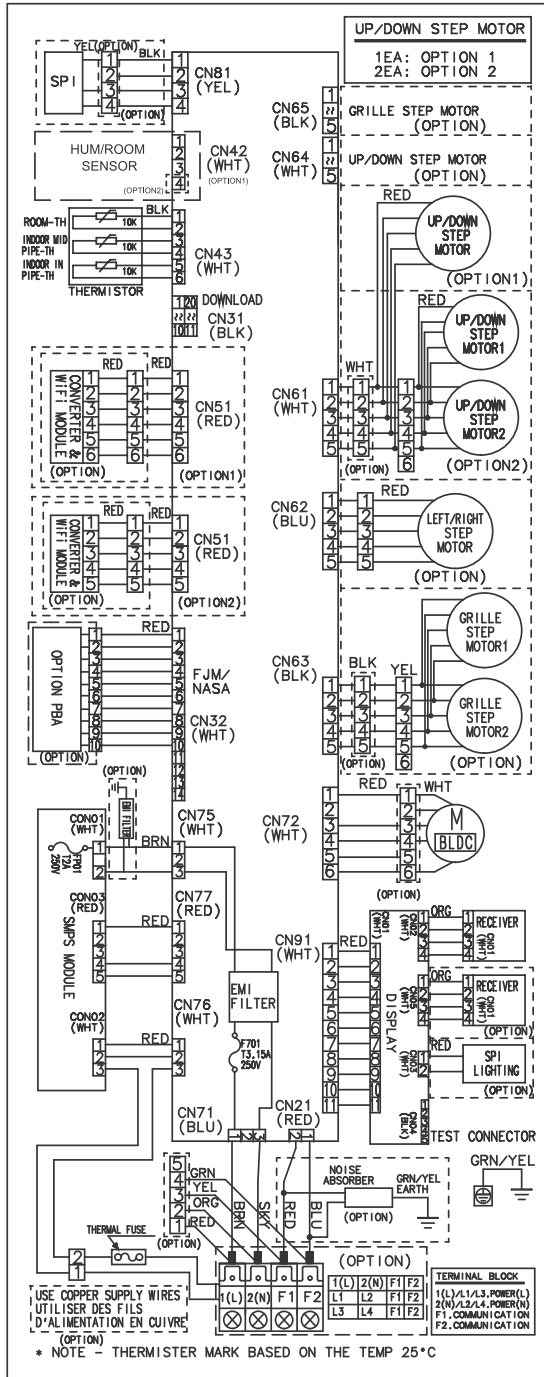
### NOTE

- This wiring diagram applies only to the outdoor unit.
- Colors BLK : black, BRN : brown, SKY-BLU : sky-blue, GRN/YEL : green/yellow, RED : red, YEL : yellow, ORG : orange, BLU : blue, WHT:white
- For connection wiring indoor-outdoor transmission F1-F2, refer to the installation manual
- Protective earth(screw)

# 7. Electrical Wiring Diagram


## 7-2. Indoor units

### A3050 (AR9570, AR7580, AR5580, AR5680, Wind-Free)



SPI	LOAD(SPI)
ROOM TH	Thermistor(Room Temp._10Kohm)
INDOOR MID PIPE-TH	Thermistor(EVA MID Temp._10Kohm)
INDOOR IN PIPE-TH	Thermistor(EVA IN Temp._10Kohm)
RECEIVER	Printed circuit board(RECEIVER BOARD)
DISPLAY	Printed circuit board(DISPLAY BOARD)
BLDC	Motor(BLDC FAN MOTOR)
GRILLE STEP MOTOR	Motor(STEP MOTOR)
LEFT/RIGHT STEP MOTOR	Motor(STEP MOTOR)
HUM/ROOM SENSOR	SENSOR(HUMIDITY/ROOM)
UP/DOWN STEP MOTOR	Motor(STEP MOTOR)
THERMAL FUSE	Terminal Block Thermal Fuse
WIFI MODULE	LOAD(WIFI MODULE)
SMPS MODULE	Printed circuit board(Power Supply)

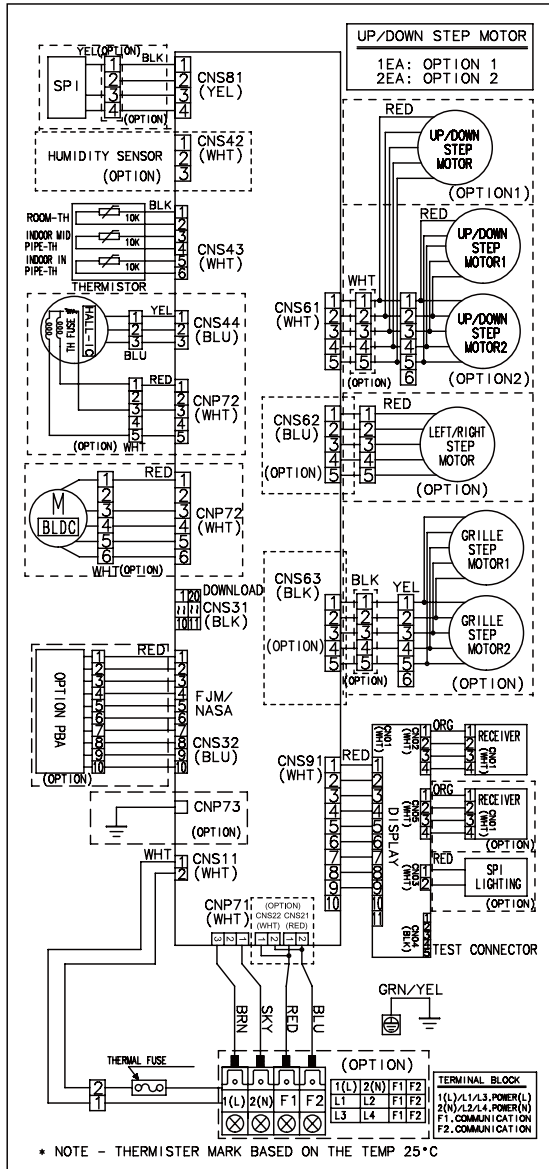
### NOTE

- This wiring diagram applies only to the indoor unit.
- Colors BLK : black, BRN : brown, SKY-BLU : sky-blue, GRN/YEL : green/yellow, RED : red, YEL : yellow, ORG : orange, BLU : blue, WHT : white
- For connection wiring indoor-outdoor transmission F1-F2, refer to the installation manual.
-  Protective earth (SCREW)

# 7. Electrical Wiring Diagram


## 7-2. Indoor units

### Maldives, New Boracay



SPI	LOAD(SPI)
ROOM TH	Thermistor(Room Temp._10Kohm)
INDOOR MID PIPE-TH	Thermistor(EVA MID Temp._10Kohm)
INDOOR IN PIPE-TH	Thermistor(EVA IN Temp._10Kohm)
RECEIVER	Printed circuit board(RECEIVER BOARD)
DISPLAY	Printed circuit board(DISPLAY BOARD)
BLDC	Motor(BLDC FAN MOTOR)
HALL IC	Motor(AC FAN MOTOR)
GRILLE STEP MOTOR	Motor(STEP MOTOR)
LEFT/RIGHT STEP MOTOR	Motor(STEP MOTOR)
UP/DOWN STEP MOTOR	Motor(STEP MOTOR)
THERMAL FUSE	Terminal Block Thermal Fuse
WIFI MODULE	LOAD(WIFI MODULE)
SMPS MODULE	Printed circuit board(Power Supply)
HUMIDITY SENSOR	SENSOR(HUMIDITY)

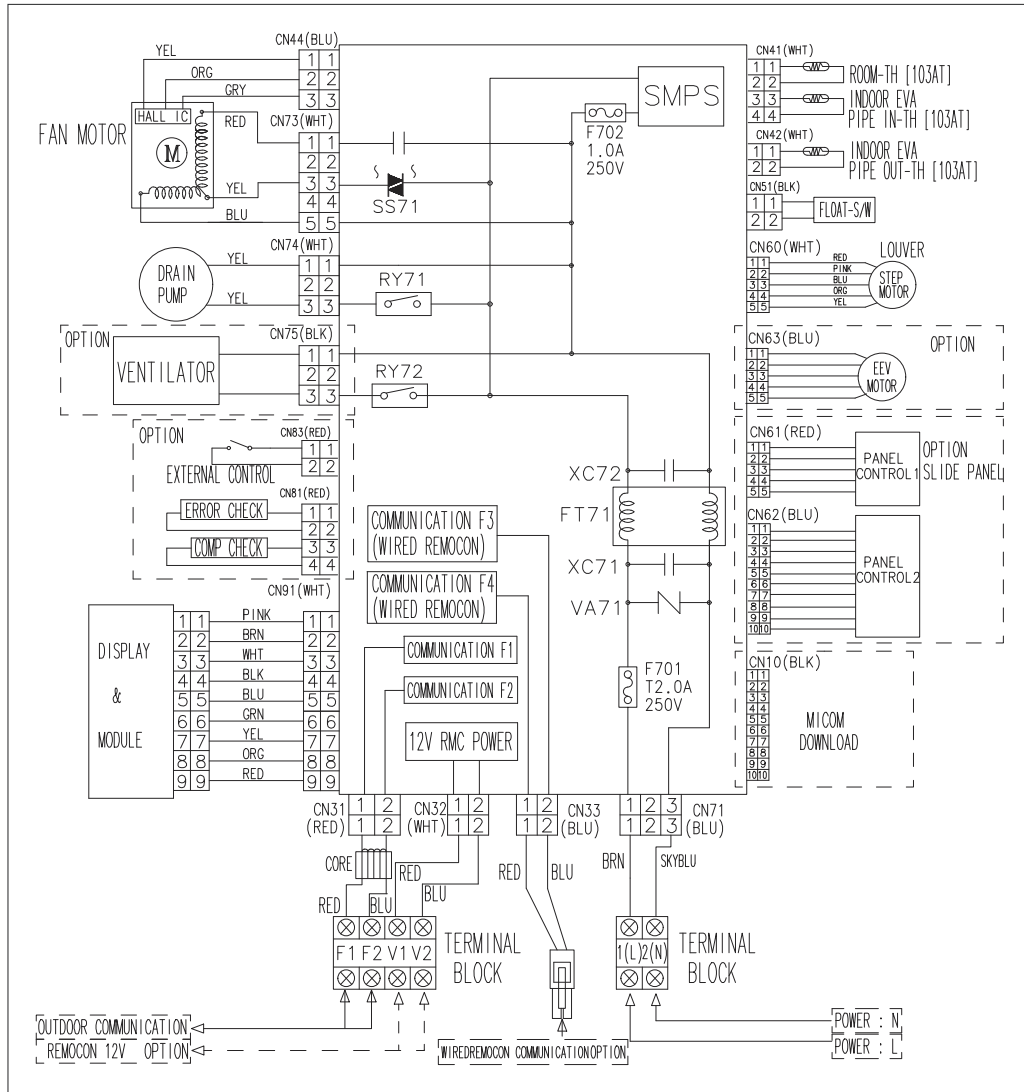
### NOTE

- This wiring diagram applies only to the indoor unit.
- Colors BLK : black, BRN : brown, SKY-BLU : sky-blue, GRN/YEL : green/yellow, RED : red, YEL : yellow, ORG : orange, BLU : blue, WHT : white
- For connection wiring indoor-outdoor transmission F1-F2, refer to the installation manual.
-  Protective earth (SCREW)

# 7. Electrical Wiring Diagram

## 7-2. Indoor units

### Slim 1way Cassette - MH026/035FSEA



FAN MOTOR	Motor(AC FAN Motor)	DISPLAY&MODULE	4WAY VALVE	ROOM-TH	Thermistor(Room Temp_10Kohm)
DRAIN PUMP	Load(DRAIN PUMP)	EEV MOTOR	Electronic expansion valve	INDOOR EVA PIPE IN-TH	Thermistor(EVA IN Temp_10Kohm)
VENTILATOR	Load(VENTILATOR)	STEP MOTOR	STEP MOTOR	INDOOR EVA PIPE OUT-TH	Thermistor(EVA OUT Temp_10Kohm)
EXTERNAL CONTROL	Relay	FLOAT S/W	FLOAT Switch		

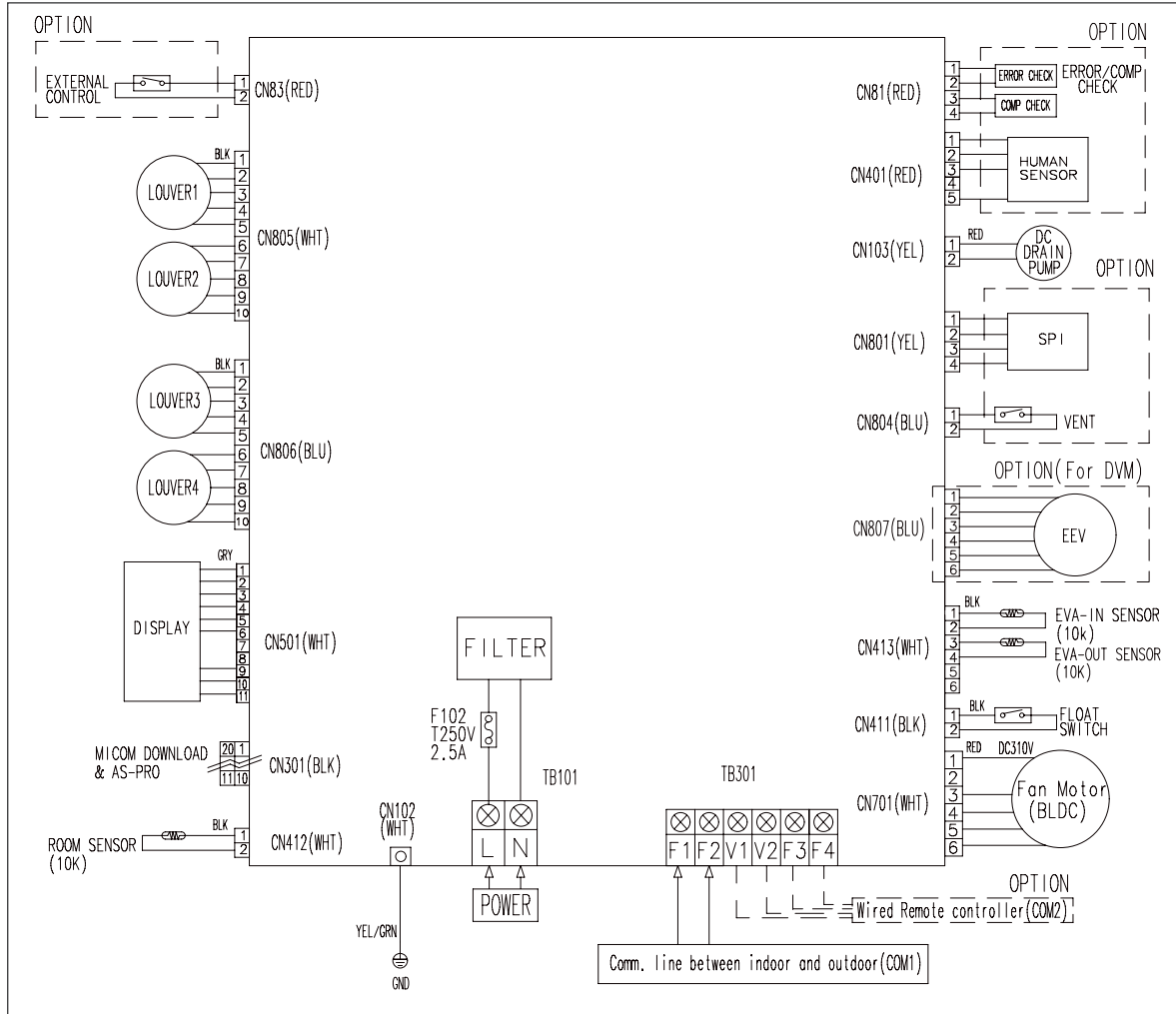
### NOTE

- This wiring diagram applies only to the indoor unit.
- Colors BLK : black, BRN : brown, SKY-BLU : sky-blue, GRN/YEL : green/yellow, RED : red, YEL : yellow, ORG : orange, BLU : blue, WHT:white
- For connection wiring indoor-outdoor transmission F1-F2, refer to the installation manual
- Protective earth(screw)

# 7. Electrical Wiring Diagram

## 7-2. Indoor units

### 4way Cassette (600x600) - AJN016/020/026/035/052NDEHA\*\*



EXTERNAL CONTROL	RELAY	ROOM SENSOR	Thermistor(Room Temp._10Kohm)	VENT	VENTILATOR
LOUVER1	STEP MOTOR	FAN Motor	Motor(BLDC FAN Motor)	SPI	LOAD(SPI)
LOUVER2	STEP MOTOR	FLOAT SWITCH	SWITCH(FLOAT SWITCH)	DC DRAIN PUMP	LOAD(DRAIN PUMP)
LOUVER3	STEP MOTOR	EVA-IN SENSOR	Thermistor(EVA IN Temp._10Kohm)	HUMAN SENSOR	SENSOR(HUMAN SENSOR)
LOUVER4	STEP MOTOR	EVA-OUT SENSOR	Thermistor(EVA OUT Temp._10Kohm)		
DISPLAY	Printed circuit board(DISPLAY BOARD)	EEV	Electronic expansion valve		

#### NOTE

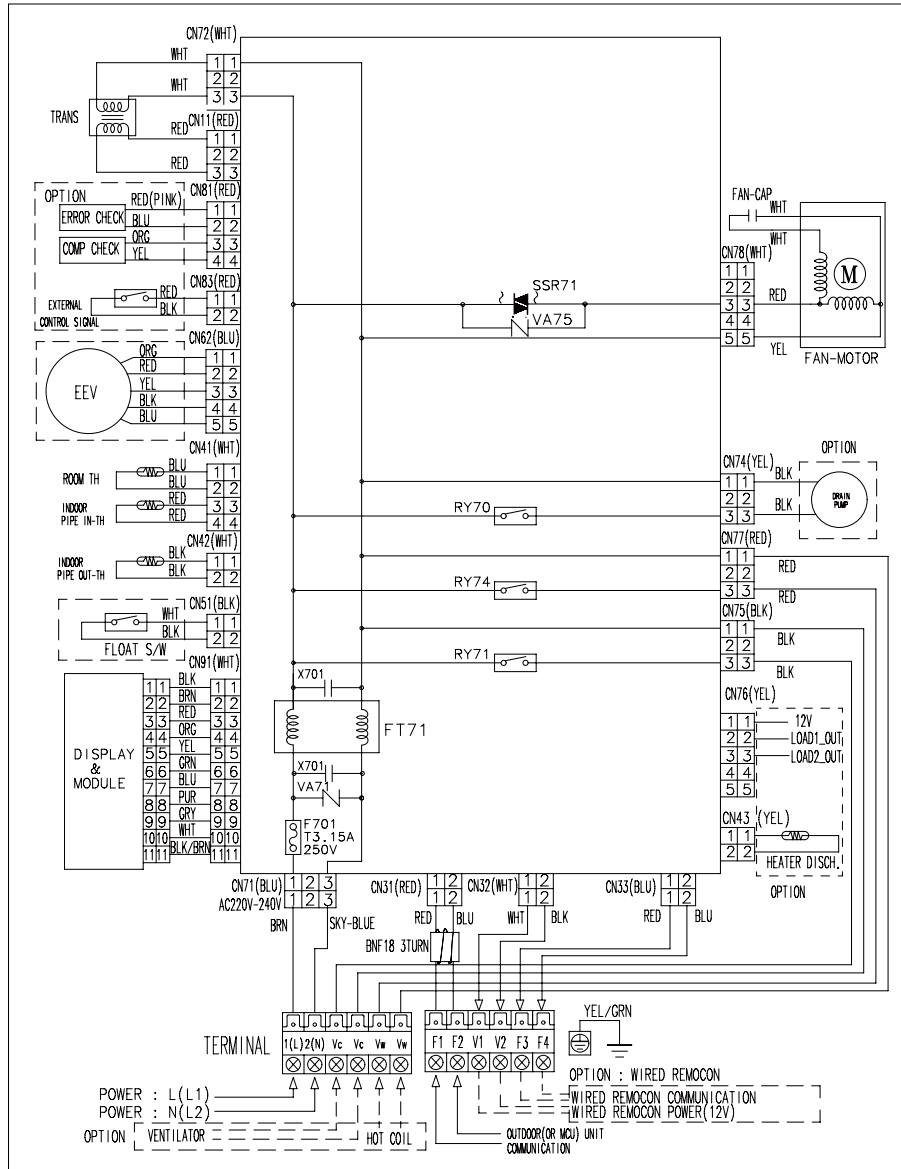
- This wiring diagram applies only to the indoor unit.
- Colors BLK : black, BRN : brown, SKY-BLU : sky-blue, GRN/YEL : green/yellow, RED : red, YEL : yellow, ORG : orange, BLU : blue, WHT:white
- For connection wiring indoor-outdoor transmission F1-F2, indoor-wired remotecontroller transmission F3-F4, refer to the installation manual
- Protective earth(screw)



# 7. Electrical Wiring Diagram

## 7-2. Indoor units

### Slim Duct - NJ026/035LHXEA



TRANS	Transformer	INDOOR PIPE IN-TH	Thermistor(EVA IN Temp._10Kohm)	VENTILATOR	LOAD(VENTILATOR)
EXTANAL CONTROL SIGNAL	Relay	INDOOR PIPE OUT-TH	Thermistor(EVA OUT Temp._10Kohm)	HEATER DISCH	Thermistor(HEATER DISCH)
EEV	Electronic expansion valve	FLOAT S/W	FLOAT Switch	DRAIN PUMP	LOAD(DRAIN PUMP)
ROOM TH	Thermistor(Room Temp._10Kohm)	DISPLAY	Printed circuit board(DISPLAY BOARD)	FAN MOTOR	Motor(FAN Motor)

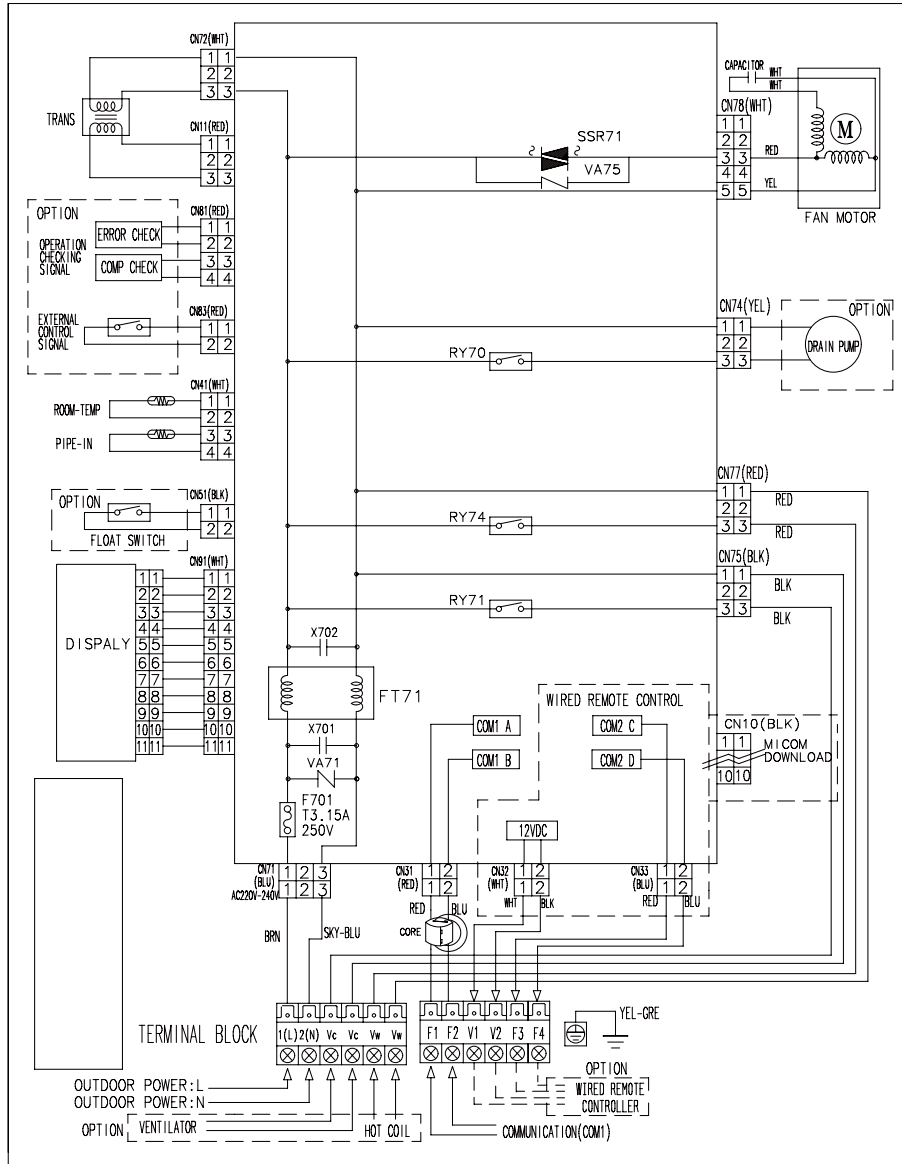
### NOTE

- This wiring diagram applies only to the indoor unit.
- Colors BLK : black, BRN : brown, SKY-BLU : sky-blue, GRN/YEL : green/yellow, RED : red, YEL : yellow, ORG : orange, BLU : blue, WHT:white
- For connection wiring indoor-outdoor transmission F1-F2, indoor-wired remotecontroller transmission F3-F4, refer to the installation manual
- Protective earth(screw)

# 7. Electrical Wiring Diagram


## 7-2. Indoor units

### MSP Duct - MH052FUEA



TRANS	Transformer	INDOOR PIPE IN-TH	Thermistor(EVA IN Temp_10Kohm)	VENTILATOR	LOAD(VENTILATOR)
EXTANAL CONTROL SIGNAL	Relay	INDOOR PIPE OUT-TH	Thermistor(EVA OUT Temp_10Kohm)	DRAIN PUMP	LOAD(DRAIN PUMP)
DISPLAY	Printed circuit board(DISPLAY BOARD)	FLOAT S/W	FLOAT Switch	FAN MOTOR	Motor(FAN Motor)
ROOM TH	Thermistor(Room Temp_10Kohm)				

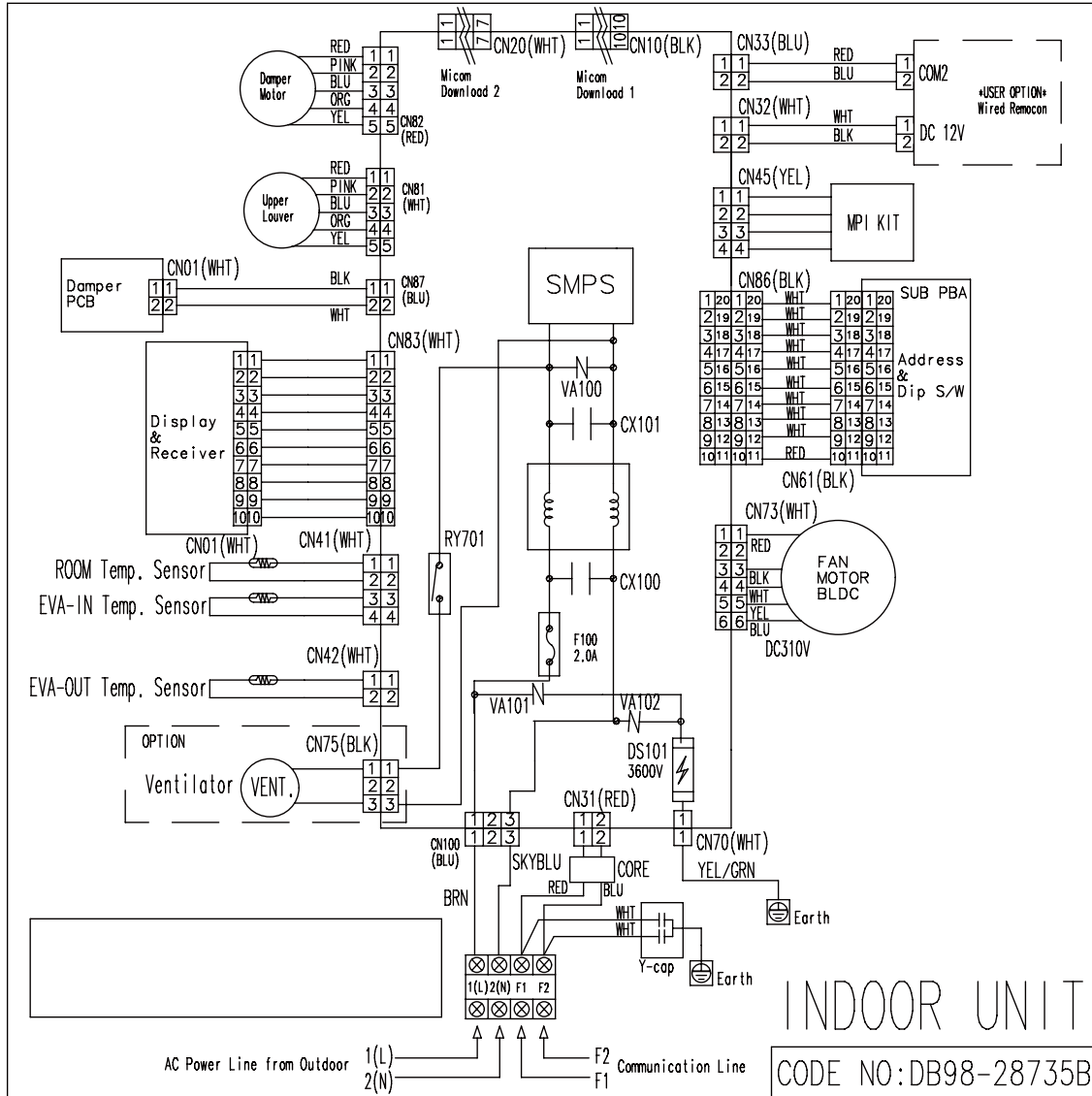
#### NOTE

- This wiring diagram applies only to the indoor unit.
- Colors BLK : black, BRN : brown, SKY-BLU : sky-blue, GRN/YEL : green/yellow, RED : red, YEL : yellow, ORG : orange, BLU : blue, WHT:white
- For connection wiring indoor-outdoor transmission F1-F2, indoor-wired remotecontroller transmission F3-F4, refer to the installation manual
-  Protective earth(screw)

# 7. Electrical Wiring Diagram

## 7-2. Indoor units

### Console- MH026/035/052FJEA



Damper MOTOR	Motor (Damper Motor)	ROOM-TH	Thermistor(Room Temp_10Kohm)	EEV	Electronic expansion valve
Upper Louver	Motor (Upper Louver)	INDOOR EVA PIPE IN-TH	Thermistor(EVA IN Temp_10Kohm)	MPI KIT	Load (MIP KIT)
Damper PCB	Printed circuit board (Damper BOARD)	INDOOR EVA PIPE OUT-TH	Thermistor (EVA OUT Temp_10Kohm)	SUB PBA	Printed circuit board (Address & Dip S/W BOARD)
Display & Receiver	Printed circuit board (Display & Receiver BOARD)	Ventilator	Load (Ventilator)	FAN MOTOR BLDC	Motor (BLDC FAN Motor)

### NOTE

- This wiring diagram applies only to the indoor unit.
- Colors BLK : black, BRN : brown, SKY-BLU : sky-blue, GRN/YEL : green/yellow, RED : red, YEL : yellow, ORG : orange, BLU : blue, WHT : white
- For connection wiring indoor-outdoor transmission F1-F2, refer to the installation manual.
- Protective earth (SCREW)

# 8. Sound Data

## Summary

	Capacity	Model	Sound Pressure	Sound Power
	(Cooling, kW)		dB (A)	dB (A)
Outdoor	4.0	AJ040MCJ2EH**	45 / 47	61
	5.0	AJ050MCJ2EH**	46 / 47	61
	5.2	AJ052MCJ3EH**	46 / 47	61
	6.8	AJ068MCJ3EH**	48 / 49	64
	7.0	AJ070MCJ4EH**	48 / 49	64
	8.0	AJ080MCJ4EH**	49 / 50	64
	10.0	AJ100MCJ5EH**	54 / 56	70

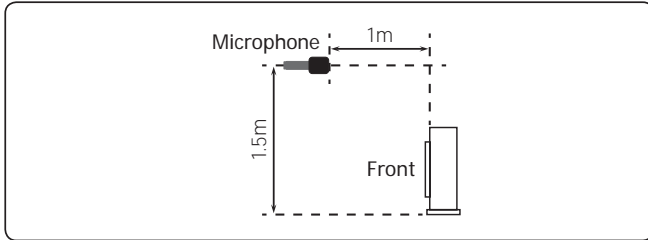
	Capacity	Model	Sound Pressure	Sound Power
	(Cooling, kW)		dB(A) (H/M/L)	dB(A)
Indoor	2.5	AR09JSPFBWKN**	38 / 29 / 19	57
	3.5	AR12JSPFBWKN**	40 / 30 / 19	59
AR7580	2.0	AR07KSPDBWKN**	38 / 29 / 19	56
	2.5	AR09KSPDBWKN**	38 / 29 / 19	56
	3.5	AR12KSPDBWKN**	40 / 30 / 19	58
	5.0	AR18MSPDBWKN**	42 / 30 / 25	58
	6.8	AR24MSPDBWKN**	43 / 34 / 26	62
AR5580/5680	2.0	AR07MSW***N**	37 / 27 / 22	54
	2.5	AR09*SW***N**	37 / 27 / 22	54
	3.5	AR12*SW***N**	38 / 28 / 22	56
	5.0	AR18MSW***N**	41 / 32 / 25	58
Maldives	2.0	AR24MSW***N**	43 / 34 / 26	62
	2.0	AR07MSFPEWQN**	38 / 28 / 21	56
	2.7	AR09MSFPEWQN**	38 / 28 / 21	56
	3.5	AR12MSFPEWQN**	42 / 33 / 23	59
	5.0	AR18MSFPEWQN**	42 / 34 / 25	58
New Boracay	6.8	AR24MSFPEWQN**	45 / 35 / 29	63
	2.0	AR07MSFHBWKN**	38 / 30 / 21	56
	2.5	AR09MSFHBWKN**	38 / 30 / 21	56
	3.5	AR12MSFHBWKN**	42 / 33 / 21	59
Wind-Free	5.0	AR18MSFHBWKN**	42 / 34 / 25	58
	6.8	AR24MSFHBWKN**	45 / 36 / 29	63
	2.0	AR07MS***N/**	37 / 30 / 22	56
1 Way Cassette	2.5	AR09MS***N/**	37 / 30 / 22	56
	3.5	AR12MS***N/**	38 / 31 / 22	58
4 Way Cassette (600x600)	2.6	MH026FSEA	31 / 28 / 25	53
	3.5	MH035FSEA	36 / 33 / 30	53
	1.6	AJN016NDEHA/EU	33 / 29 / 24	47
	2.0	AJN020NDEHA/EU	33 / 29 / 24	47
	2.6	AJN026NDEHA/EU	33 / 29 / 25	47
Slim duct 1	3.5	AJN035NDEHA/EU	35 / 31 / 27	49
	5.2	AJN052NDEHA/EU	39 / 36 / 32	55
MSP Duct	2.6	NJ026LHXEA	30 / 28 / 25	53
	3.5	NJ035LHXEA	32 / 30 / 27	53
Console	5.2	MH052FUEA	42 / 41 / 39	59
	2.6	MH026FJEA	36 / 31 / 23	53
	3.5	MH035FJEA	38 / 35 / 24	57
	5.2	MH052FJEA	43 / 39 / 32	60

# 8. Sound Data

## 8-1. Outdoor unit

### Sound Pressure level

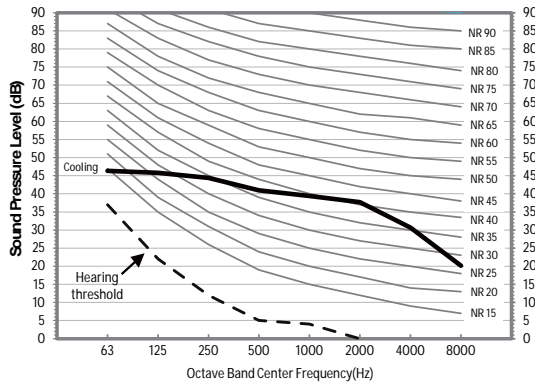
Unit: dB(A)



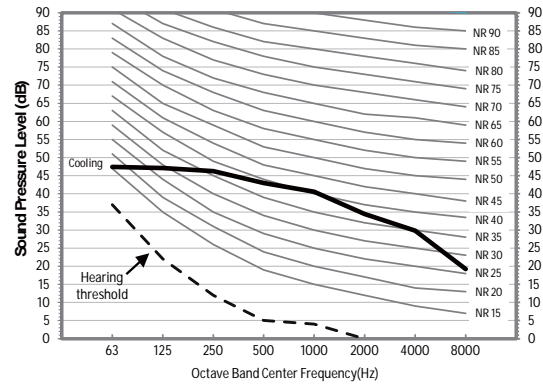
Model	dBA
AJ040FCJ2EH**	45
AJ050FCJ2EH**	46
AJ052FCJ3EH**	46
AJ068FCJ3EH**	48

• NR Curve

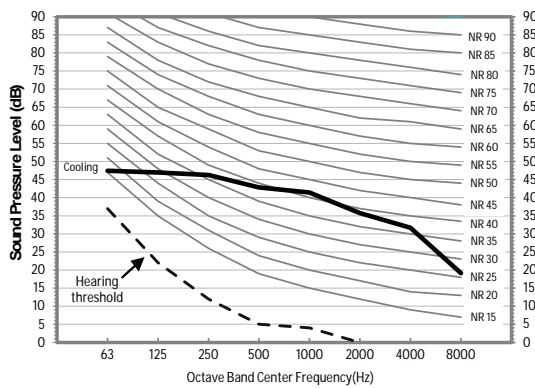
1) AJ040FCJ2EH\*\*



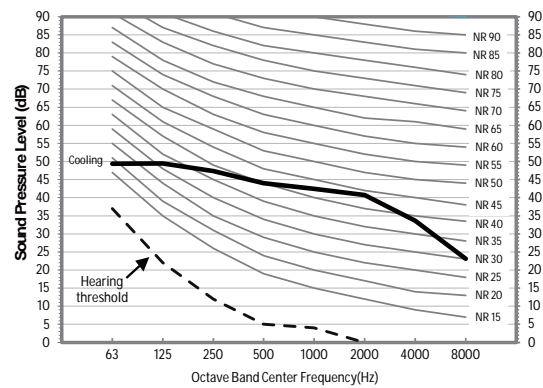
2) AJ050FCJ2EH\*\*



3) AJ052FCJ3EH\*\*



4) AJ068FCJ3EH\*\*



**NOTE**

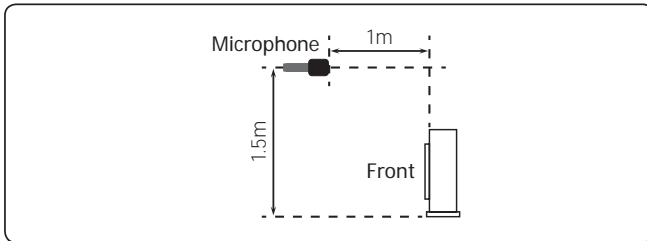
- Specifications may be subject to change without prior notice.
  - Sound pressure level is obtained in an anechoic room.
  - Sound pressure level is a relative value, depending on the distance and acoustic environment.
  - Sound pressure level may differ depending on operation condition.
  - dBA = A weighted sound pressure level
  - Reference acoustic pressure 0 dB = 20μPa

# 8. Sound Data

## 8-1. Outdoor unit

### Sound Pressure level

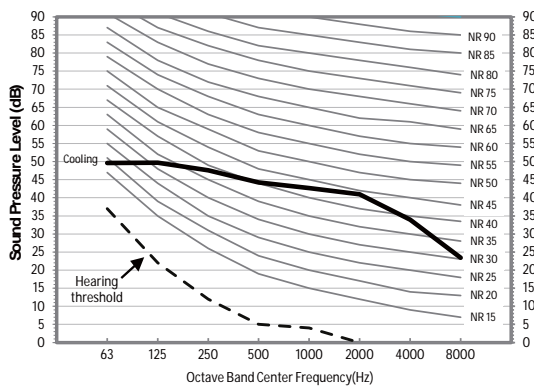
Unit: dB(A)



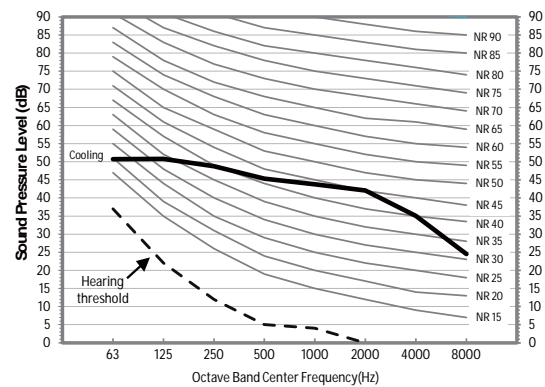
Model	dBA
AJ070FCJ4EH**	48
AJ080FCJ4EH**	49
AJ100FCJ5EH**	54

#### • NR Curve

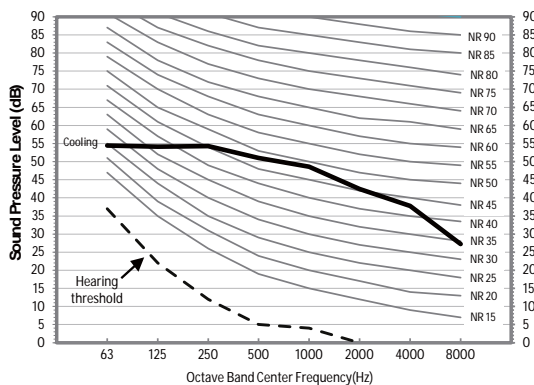
##### 1) AJ070FCJ4EH\*\*



##### 2) AJ080FCJ4EH\*\*



##### 3) AJ100FCJ5EH\*\*



#### NOTE

- Specifications may be subject to change without prior notice.
  - Sound pressure level is obtained in an anechoic room.
  - Sound pressure level is a relative value, depending on the distance and acoustic environment.
  - Sound pressure level may differ depending on operation condition.
  - dBA = A weighted sound pressure level
  - Reference acoustic pressure 0 dB = 20μPa

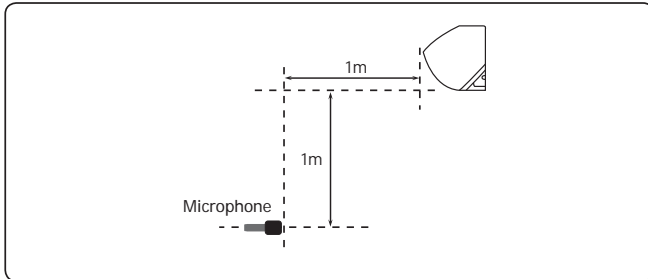
# 8. Sound Data

## 8-2. Indoor unit

### Sound Pressure level

#### Wall Mounted Type : AR9570 (A3050 Best)

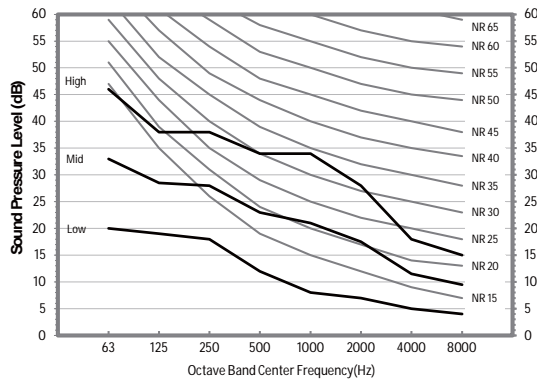
Unit: dB(A)



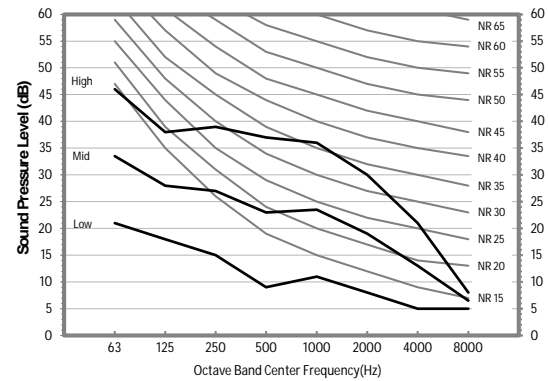
Model	High	Mid	Low
AR09JSPFBWKN**	38	29	19
AR12JSPFBWKN**	40	30	19

- NR Curve

1) AR09JSPFBWKN\*\*



2) AR12JSPFBWKN\*\*



### NOTE

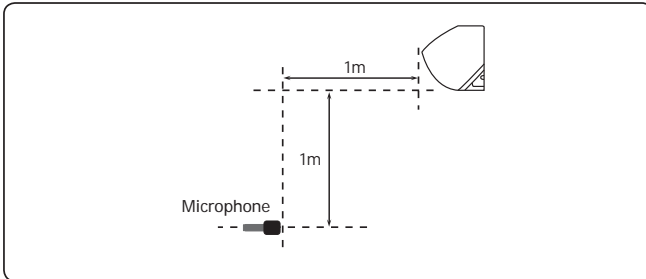
- Specifications may be subject to change without prior notice.
  - Sound pressure level is obtained in an anechoic room.
  - Sound pressure level is a relative value, depending on the distance and acoustic environment.
  - Sound pressure level may differ depending on operation condition.
  - dBA = A weighted sound pressure level
  - Reference acoustic pressure 0 dB = 20μPa

# 8. Sound Data

## 8-2. Indoor unit

### Sound Pressure level Wall Mounted Type : AR7580 (A3050 Better)

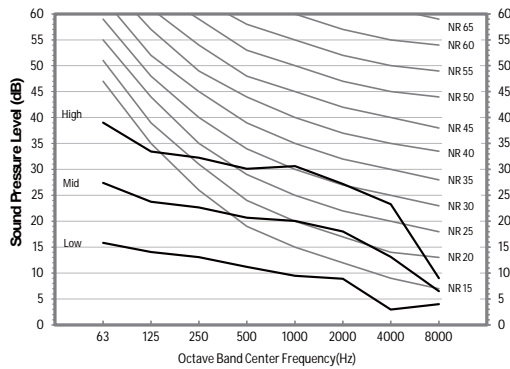
Unit: dB(A)



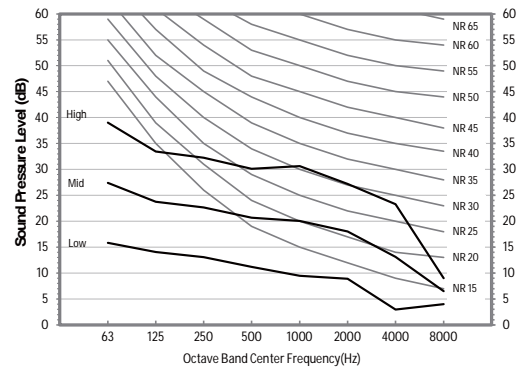
Model	High	Mid	Low
AR07KSPDBWKN**	38	29	19
AR09KSPDBWKN**	38	29	19
AR12KSPDBWKN**	40	30	19
AR18MSPDBWKN**	42	30	25
AR24MSPDBWKN**	43	34	26

- NR Curve

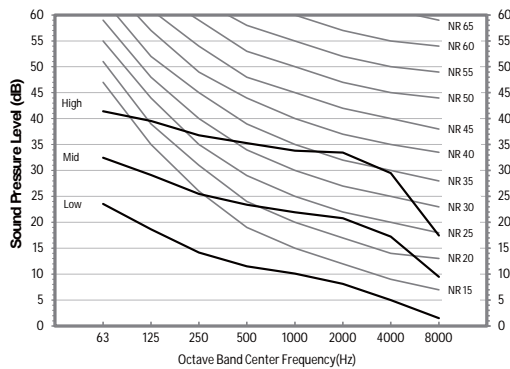
1) AR07KSPDBWKN\*\*



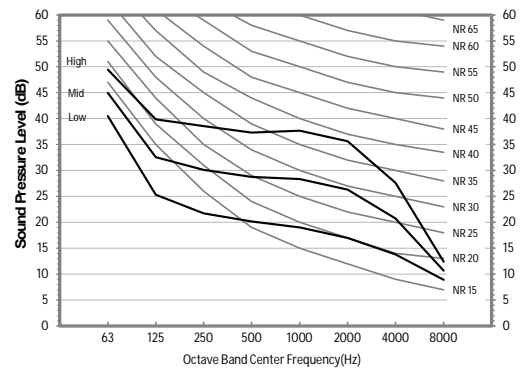
2) AR09KSPDBWKN\*\*



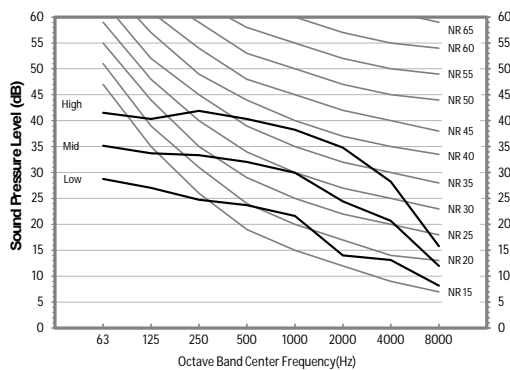
3) AR12KSPDBWKN\*\*



4) AR18MSPDBWKN\*\*



5) AR24MSPDBWKN\*\*





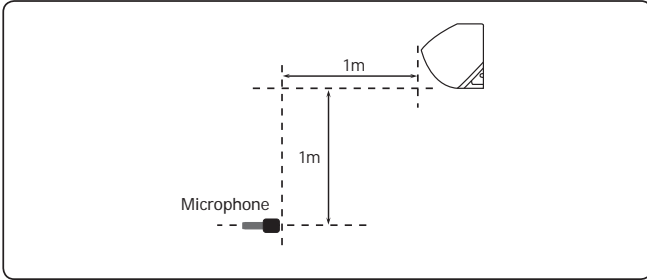
# 8. Sound Data

## 8-2. Indoor unit

### Sound Pressure level

Wall Mounted Type : AR5580/5680 (A3050 Good)

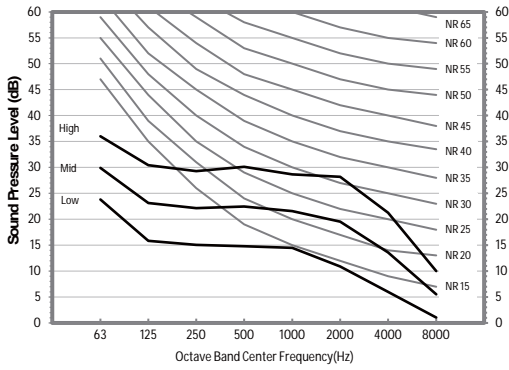
Unit: dB(A)



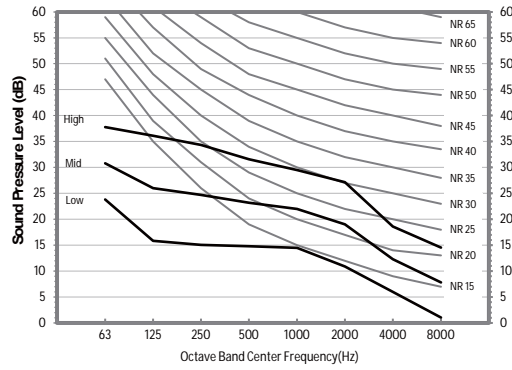
Model	High	Mid	Low
AR07MSW*****N**	37	27	22
AR09*SW*****N**	37	27	22
AR12*SW*****N**	38	28	22
AR18MSW*****N**	41	32	25
AR24MSW*****N**	43	34	26

- NR Curve

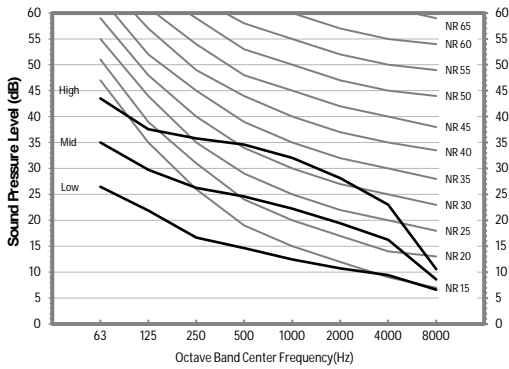
1) AR07MSW\*\*\*\*\*N\*\*



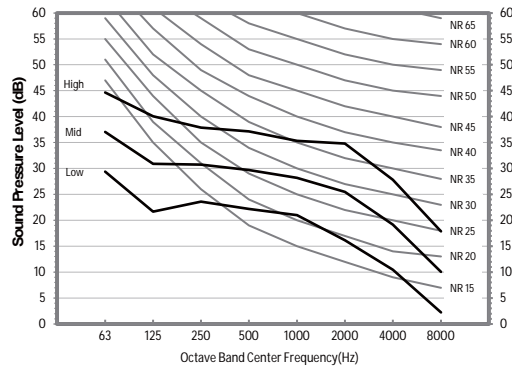
2) AR09\*SW\*\*\*\*\*N\*\*



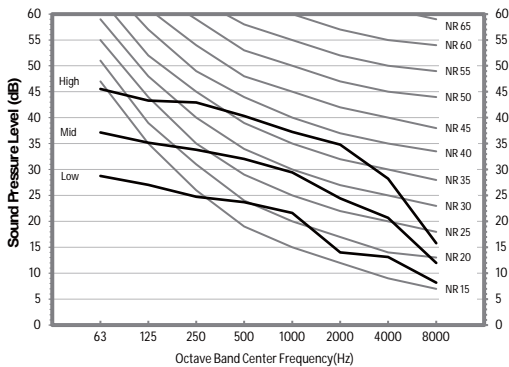
3) AR12\*SW\*\*\*\*\*N\*\*



4) AR18MSW\*\*\*\*\*N\*\*



5) AR24MSW\*\*\*\*\*N\*\*

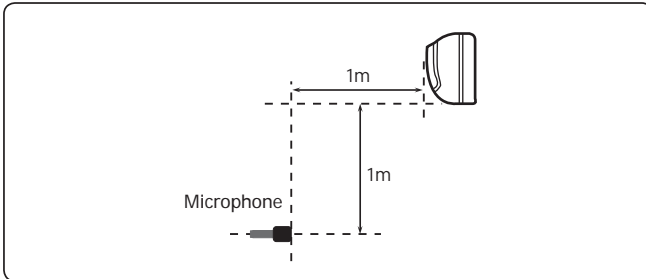


# 8. Sound Data

## 8-2. Indoor unit

### Sound Pressure level Wall Mounted Type : Maldives

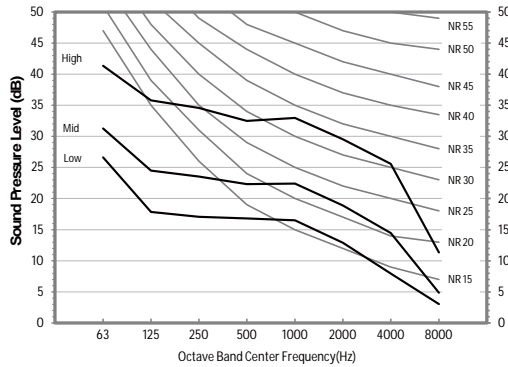
Unit: dB(A)



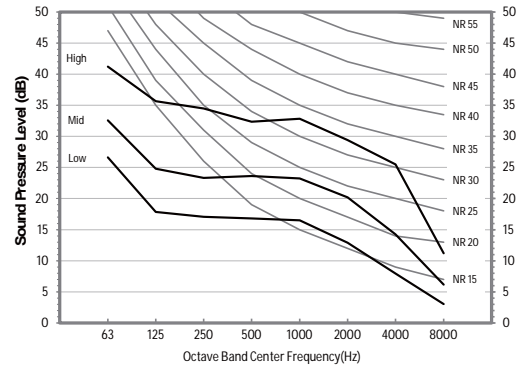
Model	High	Mid	Low
AR07MSFPEWQN**	38	28	21
AR09MSFPEWQN**	38	28	21
AR12MSFPEWQN**	42	33	23
AR18MSFPEWQN**	42	34	25
AR24MSFPEWQN**	45	35	29

- NR Curve

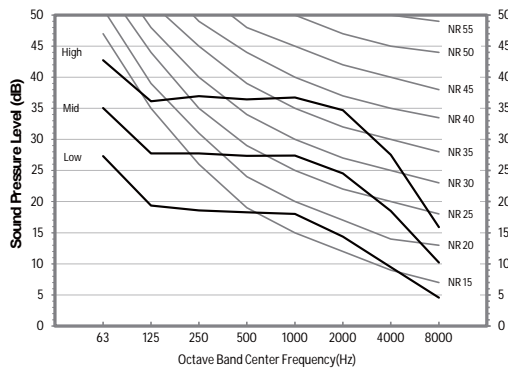
1) AR07MSFPEWQN\*\*



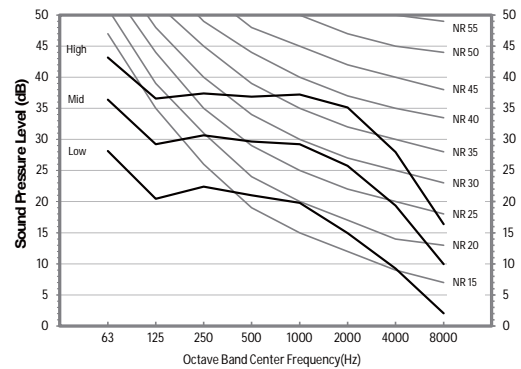
2) AR09MSFPEWQN\*\*



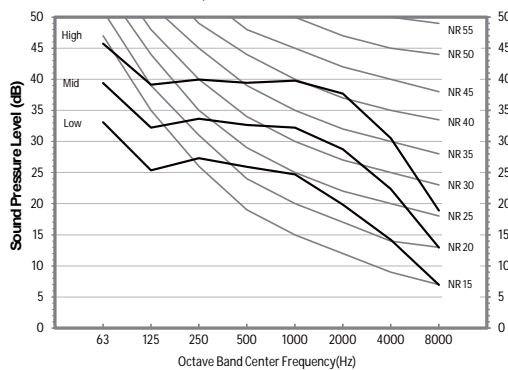
3) AR12MSFPEWQN\*\*



4) AR18MSFPEWQN\*\*



5) AR24MSFPEWQN\*\*

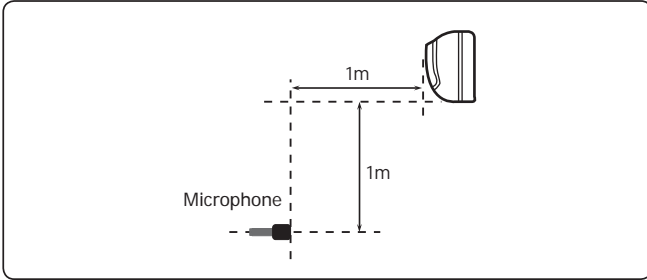


# 8. Sound Data

## 8-2. Indoor unit

### Sound Pressure level Wall Mounted Type : New Boracay

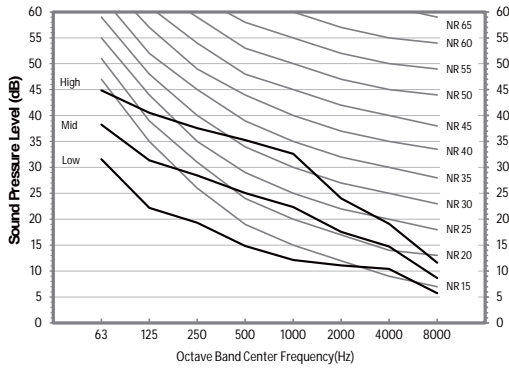
Unit: dB(A)



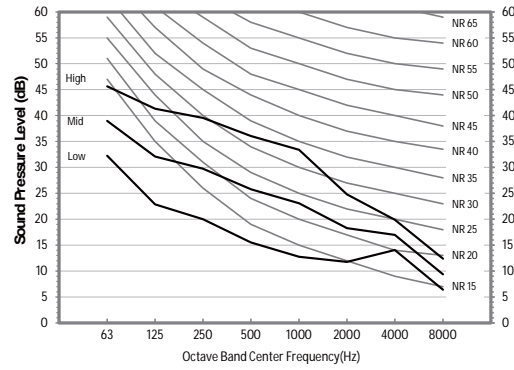
Model	High	Mid	Low
AR07MSFHBWKN**	38	30	21
AR09MSFHBWKN**	38	30	21
AR12MSFHBWKN**	42	33	21
AR18MSFHBWKN**	42	34	25
AR24MSFHBWKN**	45	36	29

- NR Curve

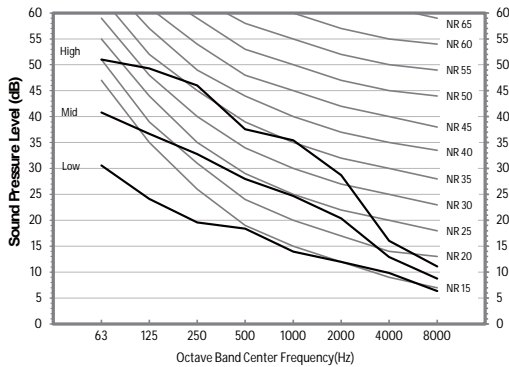
1) AR07MSFHBWKN\*\*



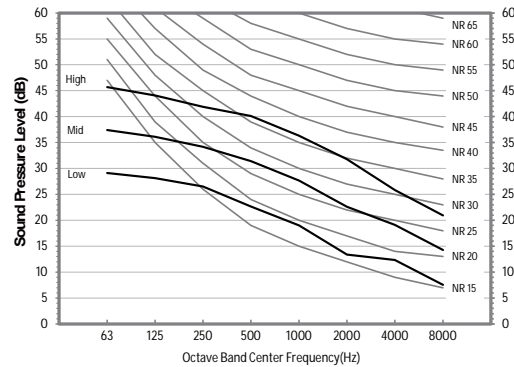
2) AR09MSFHBWKN\*\*



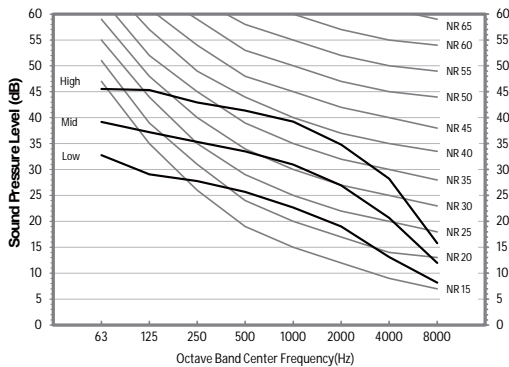
3) AR12MSFHBWKN\*\*



4) AR18MSFHBWKN\*\*



5) AR24MSFHBWKN\*\*

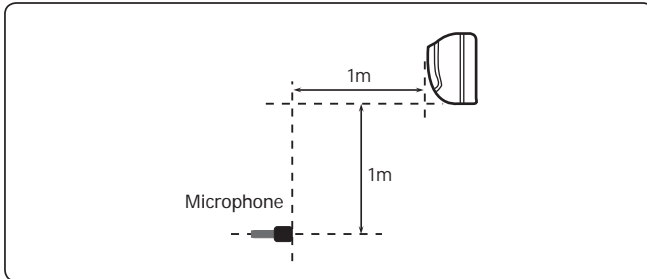


# 8. Sound Data

## 8-2. Indoor unit

### Sound Pressure level Wall Mounted Type : Wind-Free (A3050)

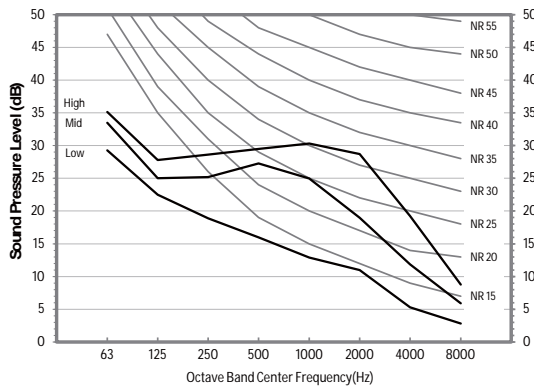
Unit: dB(A)



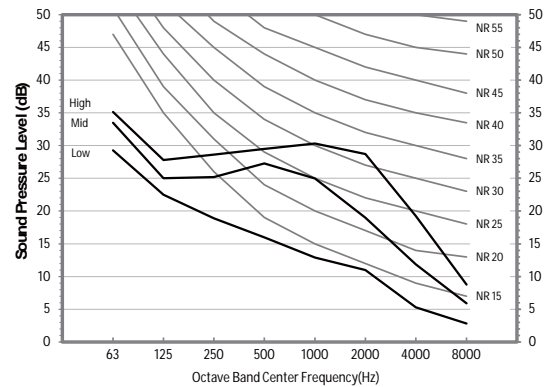
Model	High	Mid	Low
AR07MS*****N**	37	30	22
AR09MS*****N**	37	30	22
AR12MS*****N**	38	31	22

• NR Curve

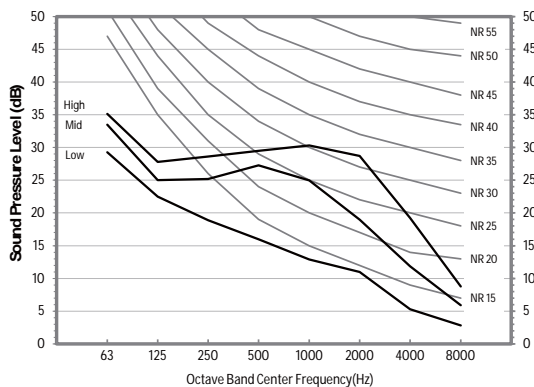
1) AR07MS\*\*\*\*\*N\*\*



2) AR09MS\*\*\*\*\*N\*\*



3) AR12MS\*\*\*\*\*N\*\*



**NOTE**

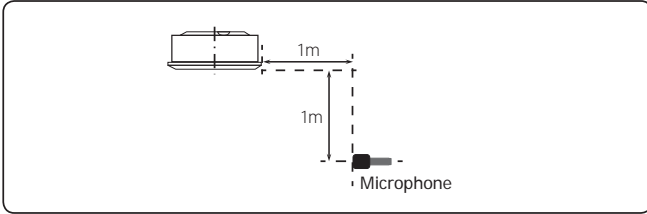
- Specifications may be subject to change without prior notice.
  - Sound pressure level is obtained in an anechoic room.
  - Sound pressure level is a relative value, depending on the distance and acoustic environment.
  - Sound pressure level may differ depending on operation condition.
  - dBA = A weighted sound pressure level
  - Reference acoustic pressure 0 dB = 20μPa

# 8. Sound Data

## 8-2. Indoor unit

### Sound Pressure level 1 Way Cassette

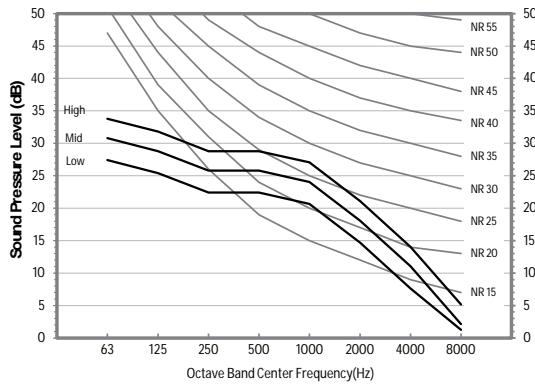
Unit: dB(A)



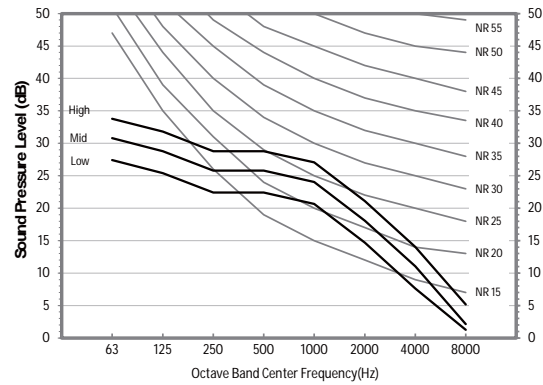
Model	High	Mid	Low
MH026FSEA	31	28	25
MH035FSEA	36	33	30

- NR Curve

1) MH026FSEA



2) MH035FSEA



#### NOTE

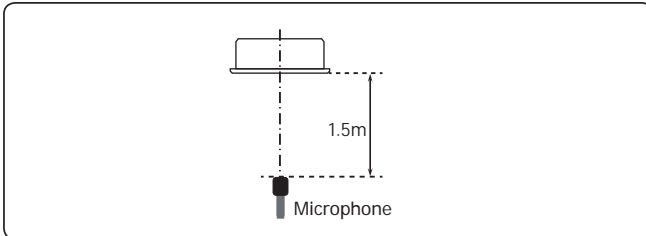
- Specifications may be subject to change without prior notice.
  - Sound pressure level is obtained in an anechoic room.
  - Sound pressure level is a relative value, depending on the distance and acoustic environment.
  - Sound pressure level may differ depending on operation condition.
  - dBA = A weighted sound pressure level
  - Reference acoustic pressure 0 dB = 20μPa

# 8. Sound Data

## 8-2. Indoor unit

### Sound Pressure level 4 Way Cassette (600x600)

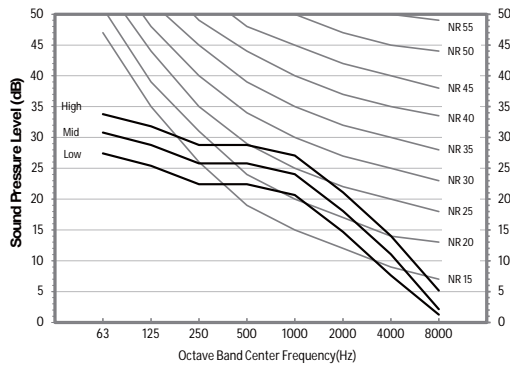
Unit: dB(A)



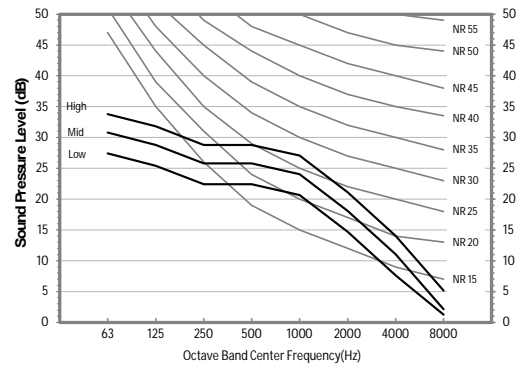
Model	High	Mid	Low
AJN016NDEHA**	33	29	24
AJN020NDEHA**	33	29	24
AJN026NDEHA**	33	29	27
AJN035NDEHA**	35	31	27
AJN052NDEHA**	39	36	32

- NR Curve

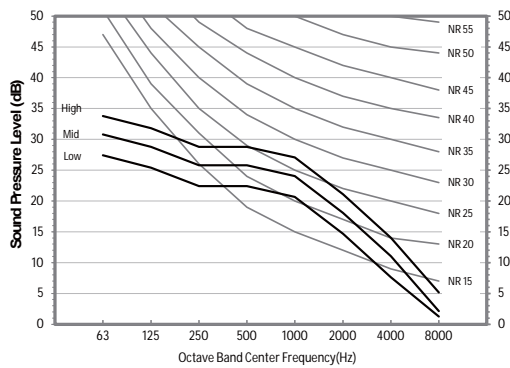
1) AJN016NDEHA\*\*



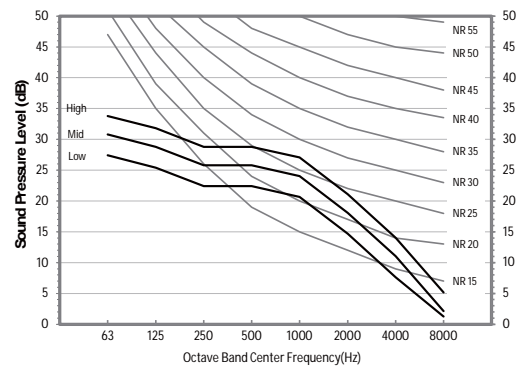
2) AJN020NDEHA\*\*



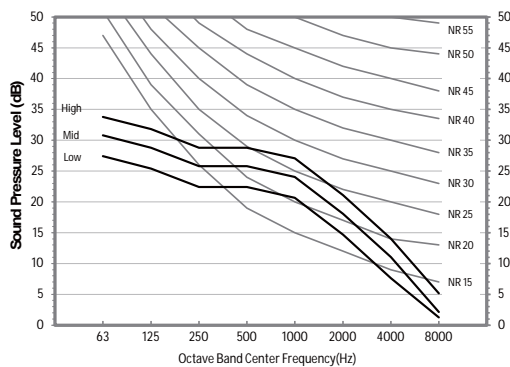
3) AJN026NDEHA\*\*



4) AJN035NDEHA\*\*



5) AJN052NDEHA\*\*

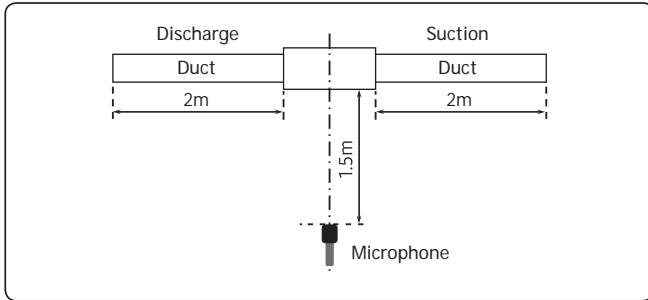


# 8. Sound Data

## 8-2. Indoor unit

### Sound Pressure level Slim Duct, MSP Duct

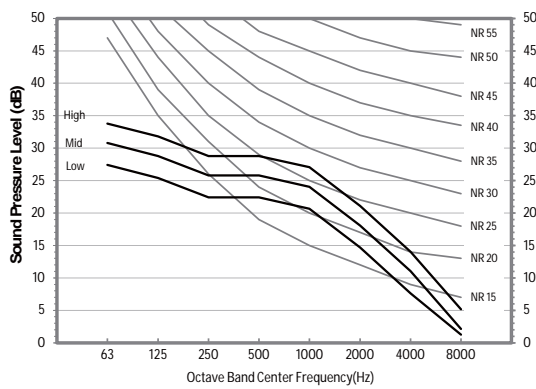
Unit: dB(A)



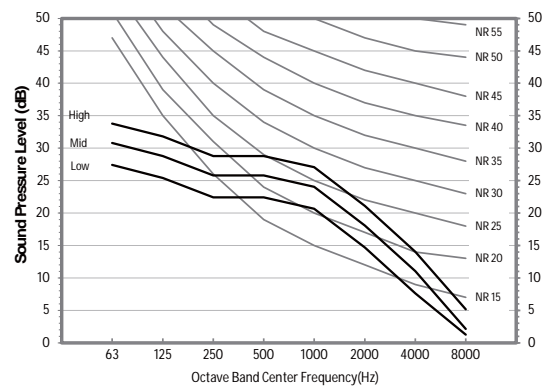
Model	High	Mid	Low
NJ026LHXEA (Slim Duct)	30	28	25
NJ035LHXEA (Slim Duct)	32	30	27
MH052FUEA (MSP Duct)	42	41	39

• NR Curve

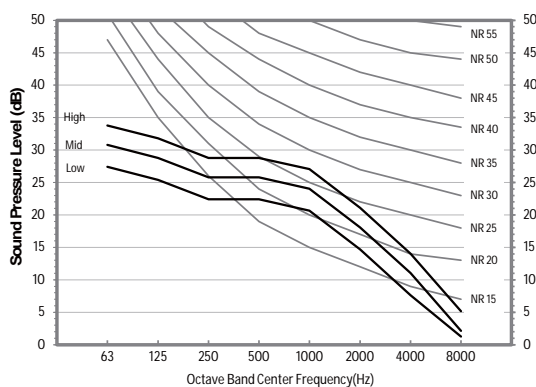
1) NJ026LHXEA (Slim Duct)



2) NJ035LHXEA (Slim Duct)



3) MH052FUEA (MSP Duct)



**NOTE**

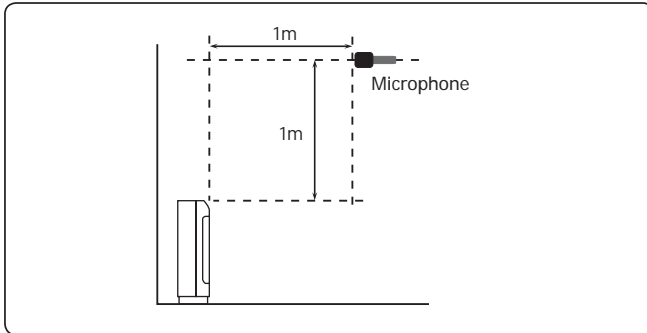
- Specifications may be subject to change without prior notice.
  - Sound pressure level is obtained in an anechoic room.
  - Sound pressure level is a relative value, depending on the distance and acoustic environment.
  - Sound pressure level may differ depending on operation condition.
  - dBA = A weighted sound pressure level
  - Reference acoustic pressure 0 dB = 20μPa

# 8. Sound Data

## 8-2. Indoor unit

### Sound Pressure level Console

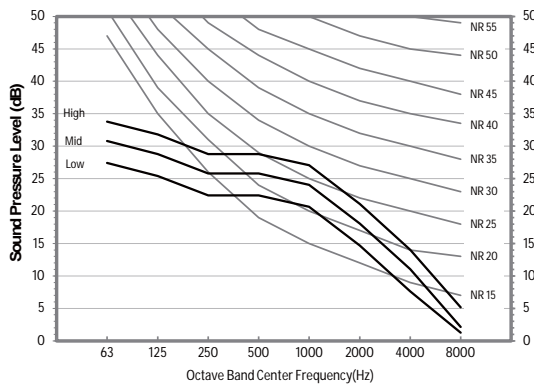
Unit: dB(A)



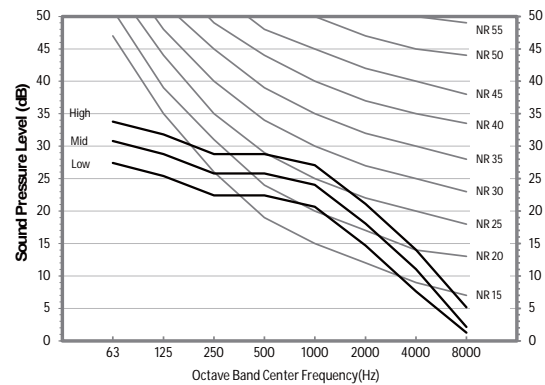
Model	High	Mid	Low
MH026FJEA	36	31	23
MH035FJEA	38	35	24
MH052FJEA	43	39	32

• NR Curve

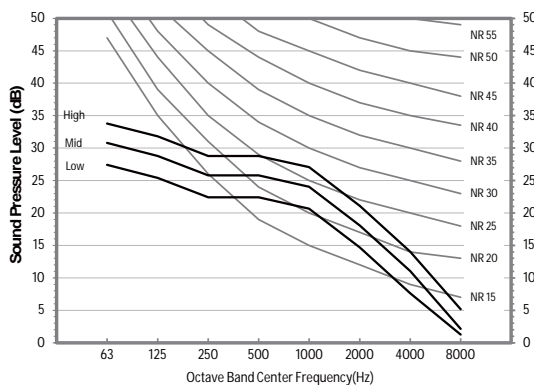
1) MH026FJEA



2) MH035FJEA



3) MH052FJEA



**NOTE**

- Specifications may be subject to change without prior notice.
  - Sound pressure level is obtained in an anechoic room.
  - Sound pressure level is a relative value, depending on the distance and acoustic environment.
  - Sound pressure level may differ depending on operation condition.
  - dBA = A weighted sound pressure level
  - Reference acoustic pressure 0 dB = 20μPa



# 8. Sound Data

## 8-3. Outdoor unit

### Sound Power level

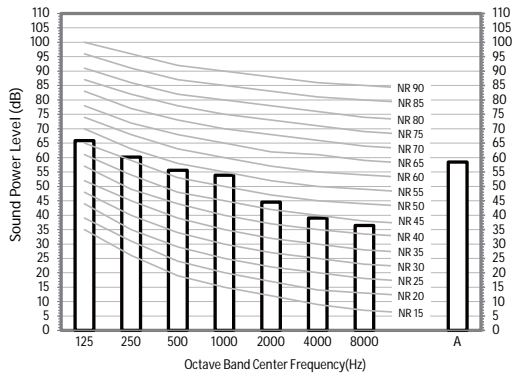


- Specifications may be subject to change without prior notice
  - Sound power level is an absolute value that a sound source generates.
  - dBA = A-weighted sound power level.
  - Reference power : 1pW.
  - Measured according to ISO 3741.

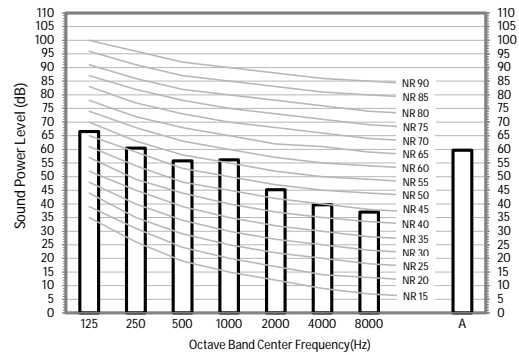
Unit: dB(A)

Model	Power
AJ040FCJ2EH**	61
AJ050FCJ2EH**	61
AJ052FCJ3EH**	61
AJ068FCJ3EH**	64

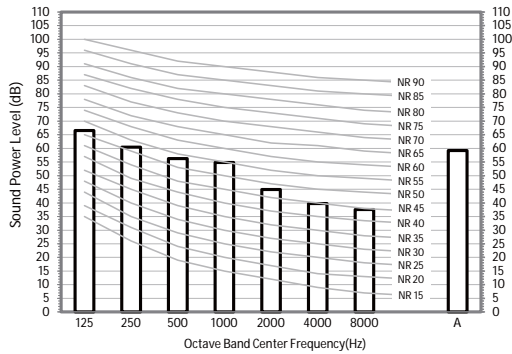
1) AJ040FCJ2EH\*\*



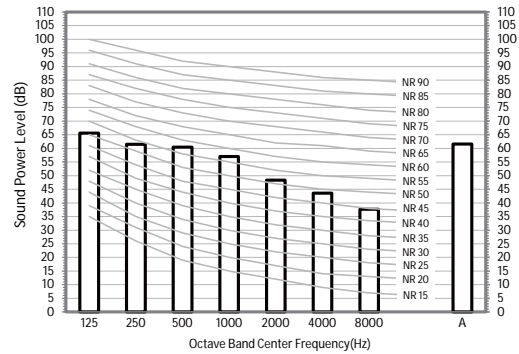
2) AJ050FCJ2EH\*\*



3) AJ052FCJ3EH\*\*



4) AJ068FCJ3EH\*\*



# 8. Sound Data

## 8-3. Outdoor unit

### Sound Power level

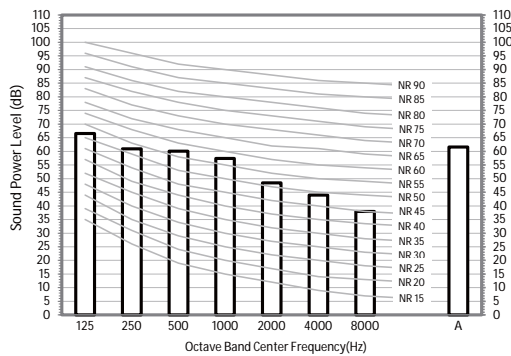
**NOTE**

- Specifications may be subject to change without prior notice
  - Sound power level is an absolute value that a sound source generates.
  - dBA = A-weighted sound power level.
  - Reference power : 1pW.
  - Measured according to ISO 3741.

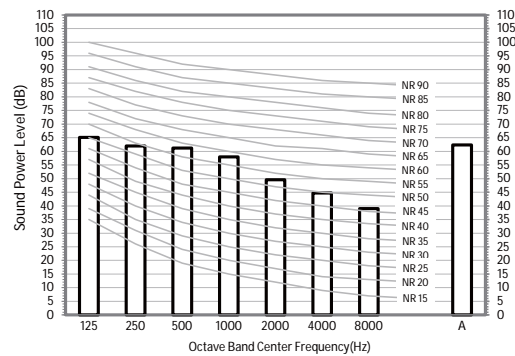
Unit: dB(A)

Model	Power
AJ070FCJ4EH* <del>*</del>	64
AJ080FCJ4EH* <del>*</del>	64
AJ100FCJ5EH* <del>*</del>	70

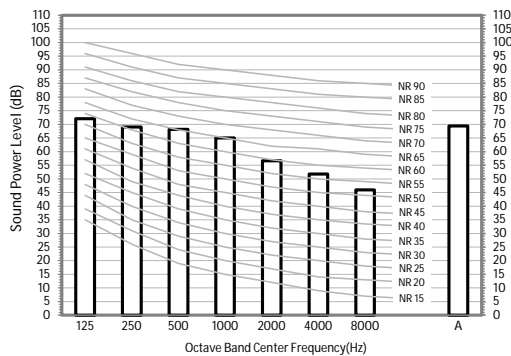
1) AJ070FCJ4EH\*~~\*~~



2) AJ080FCJ4EH\*~~\*~~



3) AJ100FCJ5EH\*~~\*~~



# 8. Sound Data

## 8-4. Indoor unit

### Sound Power level

#### Wall Mounted Type : AR9570 (A3050 Best)

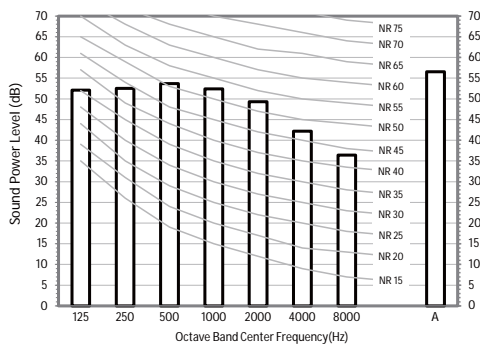
**NOTE**

- Specifications may be subject to change without prior notice
  - Sound power level is an absolute value that a sound source generates.
  - dBA = A-weighted sound power level.
  - Reference power : 1pW.
  - Measured according to ISO 3741.

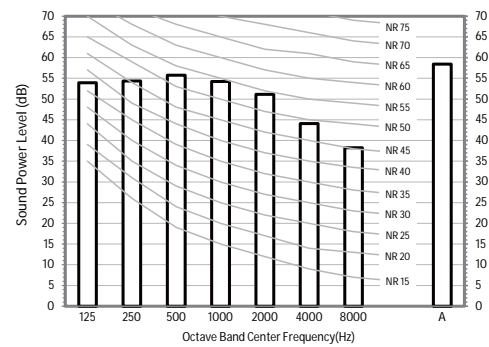
Unit: dB(A)

Model	Power
AR09JSPFBWKN××	57
AR12JSPFBWKN××	59

1) AR09JSPFBWKN××



2) AR12JSPFBWKN××



# 8. Sound Data

## 8-4. Indoor unit

### Sound Power level

#### Wall Mounted Type : AR7580 (A3050 Better)

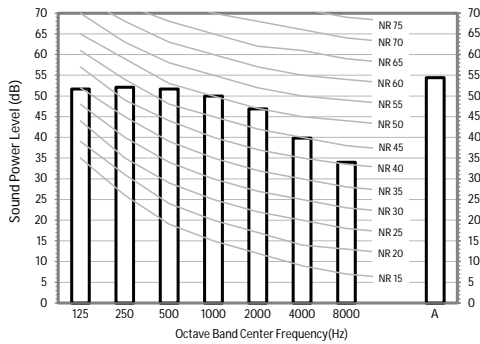
Unit: dB(A)

#### NOTE

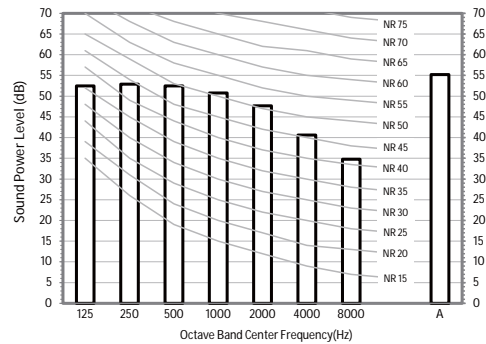
- Specifications may be subject to change without prior notice
  - Sound power level is an absolute value that a sound source generates.
  - dBA = A-weighted sound power level.
  - Reference power : 1pW.
  - Measured according to ISO 3741.

Model	Power
AR07KSPDBWKN**	56
AR09KSPDBWKN**	56
AR12KSPDBWKN**	58
AR18MSPDBWKN**	58
AR24MSPDBWKN**	62

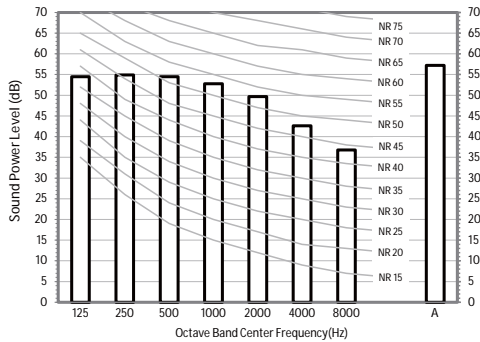
1) AR07KSPDBWKN\*\*



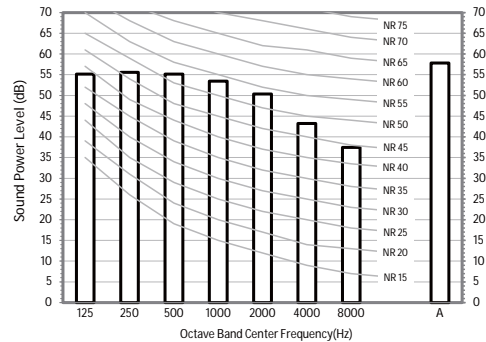
2) AR09KSPDBWKN\*\*



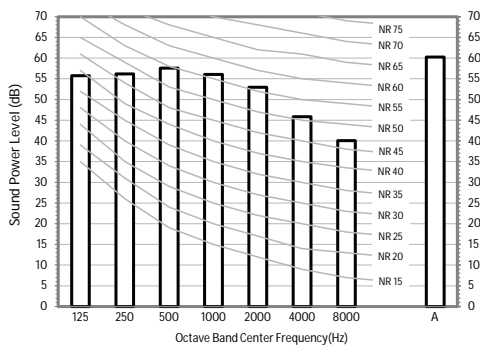
3) AR12KSPDBWKN\*\*



4) AR18MSPDBWKN\*\*



5) AR24MSPDBWKN\*\*



# 8. Sound Data

## 8-4. Indoor unit

### Sound Power level

#### Wall Mounted Type : AR5580/5680 (A3050 Good)

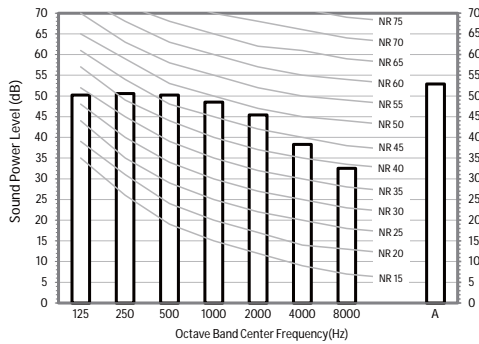
Unit: dB(A)

#### NOTE

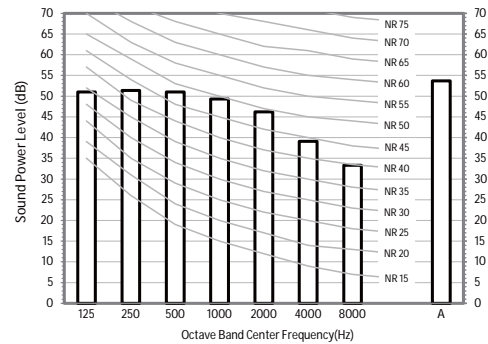
- Specifications may be subject to change without prior notice
  - Sound power level is an absolute value that a sound source generates.
  - dB(A) = A-weighted sound power level.
  - Reference power : 1pW.
  - Measured according to ISO 3741.

Model	Power
AR07MSW*****N**	54
AR09*SW*****N**	54
AR12*SW*****N**	56
AR18MSW*****N**	58
AR24MSW*****N**	62

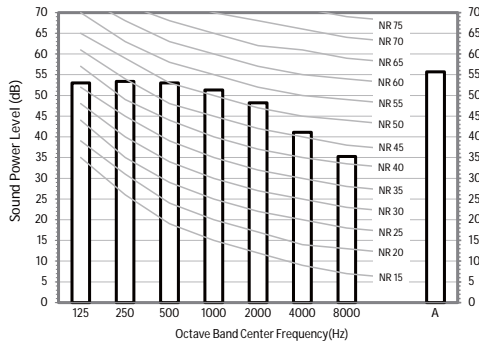
1) AR07MSW\*\*\*\*\*N\*\*



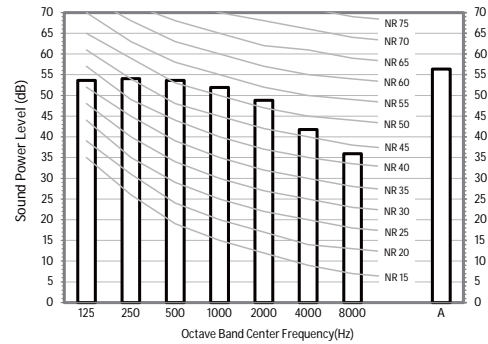
2) AR09\*SW\*\*\*\*\*N\*\*



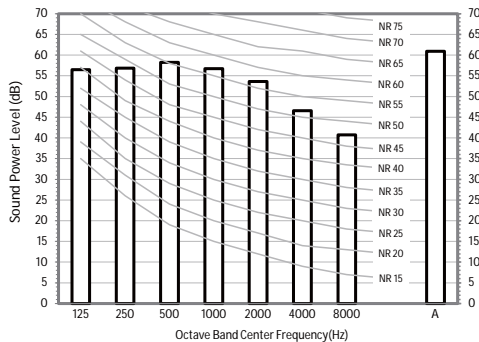
3) AR12\*SW\*\*\*\*\*N\*\*



4) AR18MSW\*\*\*\*\*N\*\*



5) AR24MSW\*\*\*\*\*N\*\*



# 8. Sound Data

## 8-4. Indoor unit

### Sound Power level

#### Wall Mounted Type : Maldives

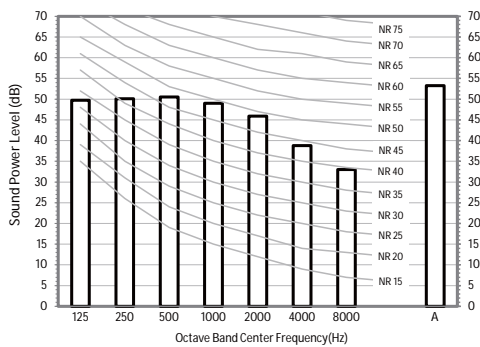
Unit: dB(A)

#### NOTE

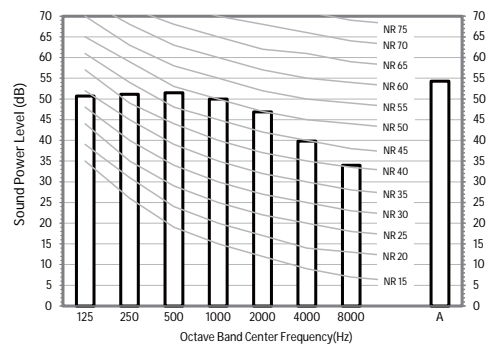
- Specifications may be subject to change without prior notice
  - Sound power level is an absolute value that a sound source generates.
  - dBA = A-weighted sound power level.
  - Reference power : 1pW.
  - Measured according to ISO 3741.

Model	Power
AR07MSFPEWQN**	56
AR09MSFPEWQN**	56
AR12MSFPEWQN**	59
AR18MSFPEWQN**	58
AR24MSFPEWQN**	63

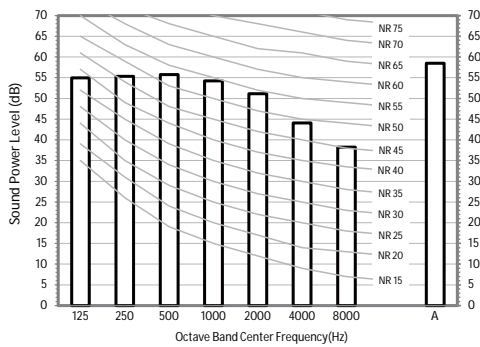
1) AR07MSFPEWQN\*\*



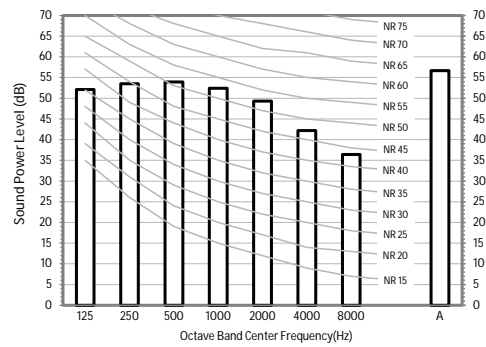
2) AR09MSFPEWQN\*\*



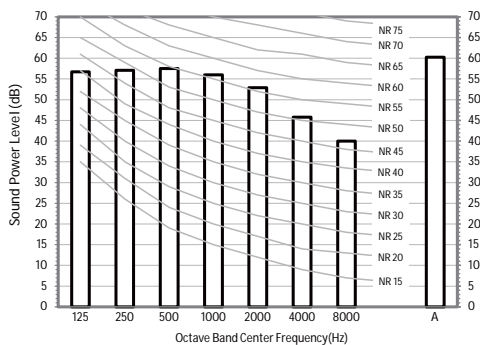
3) AR12MSFPEWQN\*\*



4) AR18MSFPEWQN\*\*



5) AR24MSFPEWQN\*\*



# 8. Sound Data

## 8-4. Indoor unit

### Sound Power level Wall Mounted Type : New Boracay

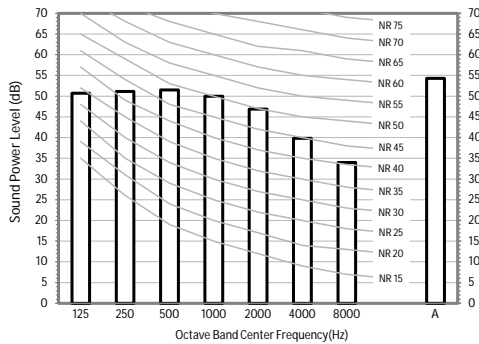
Unit: dB(A)

#### NOTE

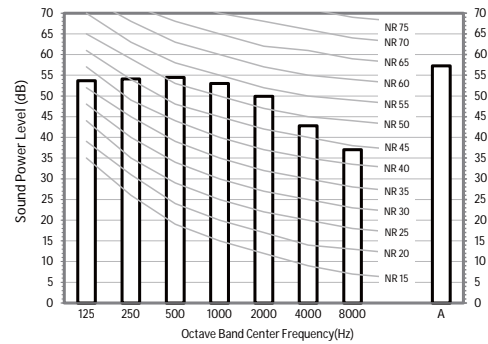
- Specifications may be subject to change without prior notice
  - Sound power level is an absolute value that a sound source generates.
  - dBA = A-weighted sound power level.
  - Reference power : 1pW.
  - Measured according to ISO 3741.

Model	Power
AR07MSFHBWKN**	56
AR09MSFHBWKN**	59
AR12MSFHBWKN**	59
AR18MSFHBWKN**	58
AR24MSFHBWKN**	63

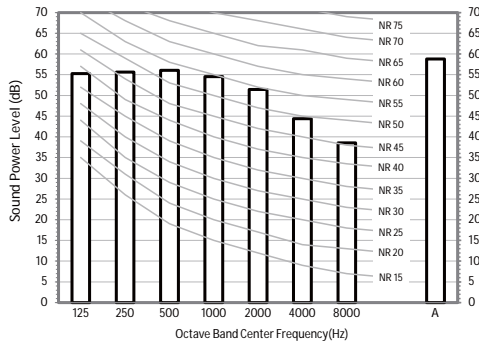
1) AR07MSFHBWKN\*\*



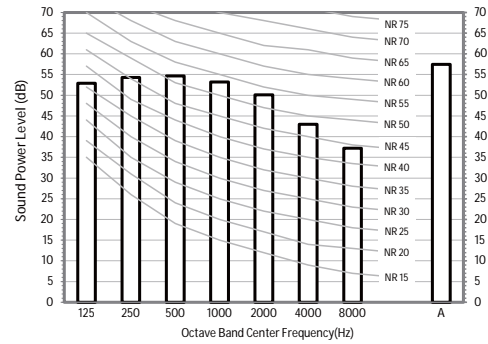
2) AR09MSFHBWKN\*\*



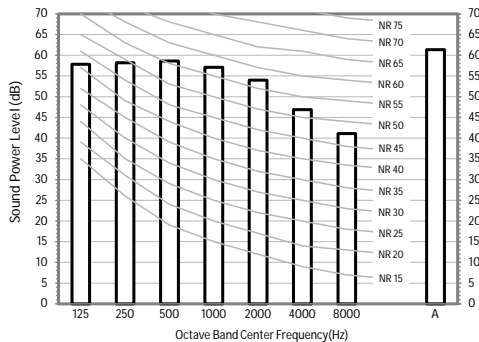
3) AR12MSFHBWKN\*\*



4) AR18MSFHBWKN\*\*



5) AR24MSFHBWKN\*\*



# 8. Sound Data

## 8-4. Indoor unit

### Sound Power level

#### Wall Mounted Type : Wind-Free (A3050)

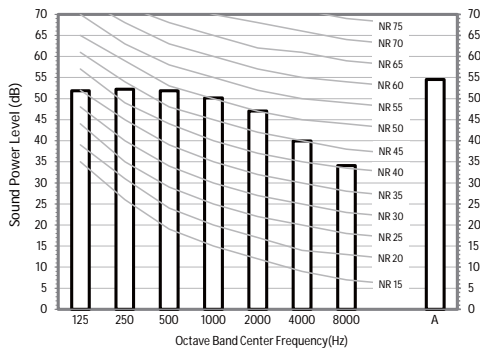
Unit: dB(A)

#### NOTE

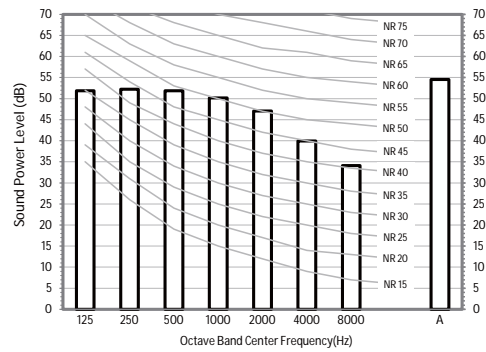
- Specifications may be subject to change without prior notice
  - Sound power level is an absolute value that a sound source generates.
  - dB(A) = A-weighted sound power level.
  - Reference power : 1pW.
  - Measured according to ISO 3741.

Model	Power
AR07MS***N**	56
AR09MS***N**	56
AR12MS***N**	58

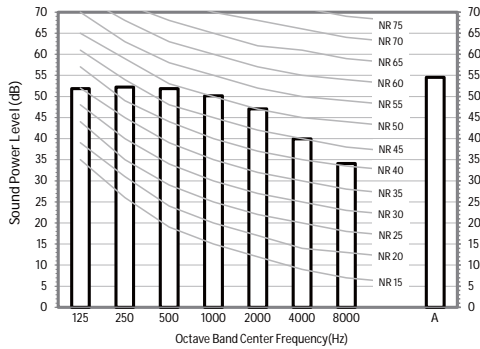
1) AR07MS\*\*\*N\*\*



2) AR09MS\*\*\*N\*\*



3) AR12MS\*\*\*N\*\*





# 8. Sound Data

## 8-4. Indoor unit

### Sound Power level 1 Way Cassette

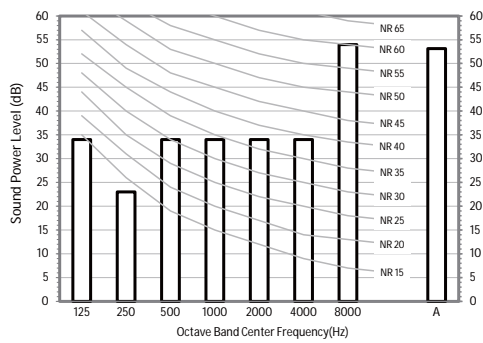
**NOTE**

- Specifications may be subject to change without prior notice
  - Sound power level is an absolute value that a sound source generates.
  - dBA = A-weighted sound power level.
  - Reference power : 1pW.
  - Measured according to ISO 3741.

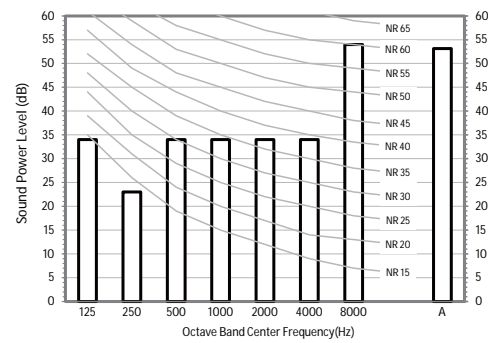
Unit: dB(A)

Model	Power
MH026FSEA	53
MH035FSEA	53

1) MH026FSEA



2) MH035FSEA



# 8. Sound Data

## 8-4. Indoor unit

### Sound Power level 4 Way Cassette (600x600)

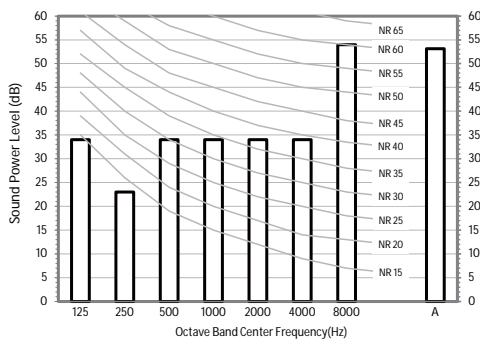
Unit: dB(A)

#### NOTE

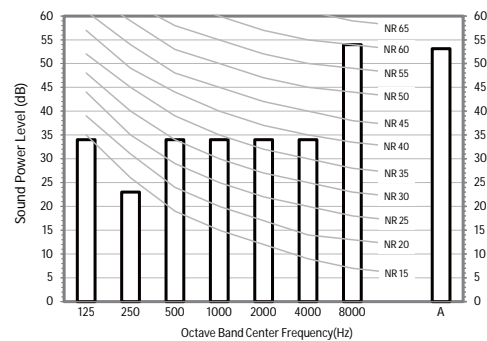
- Specifications may be subject to change without prior notice
  - Sound power level is an absolute value that a sound source generates.
  - dB(A) = A-weighted sound power level.
  - Reference power : 1pW.
  - Measured according to ISO 3741.

Model	Power
AJN016NDEHA**	47
AJN020NDEHA**	47
AJN026NDEHA**	47
AJN035NDEHA**	49
AJN052NDEHA**	55

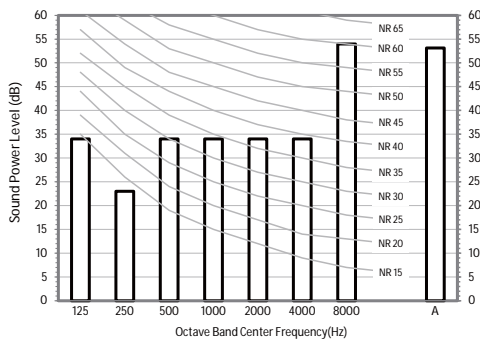
1) AJN016NDEHA\*\*



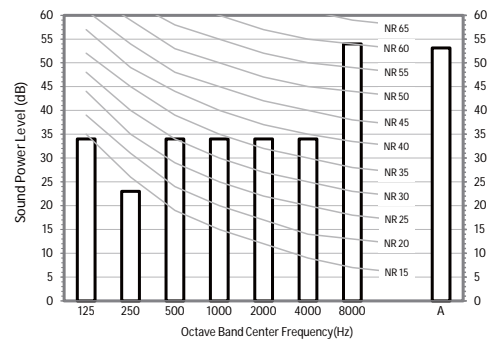
2) AJN020NDEHA\*\*



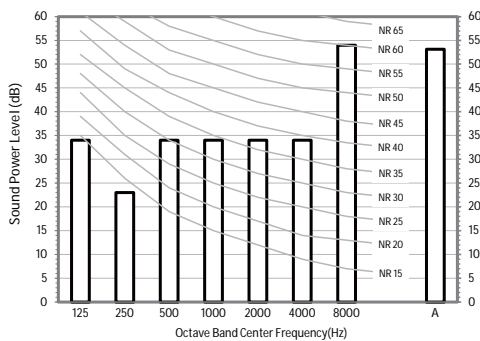
3) AJN026NDEHA\*\*



4) AJN035NDEHA\*\*



5) AJN052NDEHA\*\*



# 8. Sound Data

## 8-4. Indoor unit

### Sound Power level Slim Duct, MSP Duct

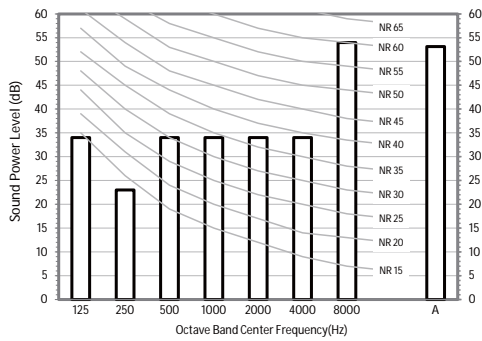
**NOTE**

- Specifications may be subject to change without prior notice
  - Sound power level is an absolute value that a sound source generates.
  - dBA = A-weighted sound power level.
  - Reference power : 1pW.
  - Measured according to ISO 3741.

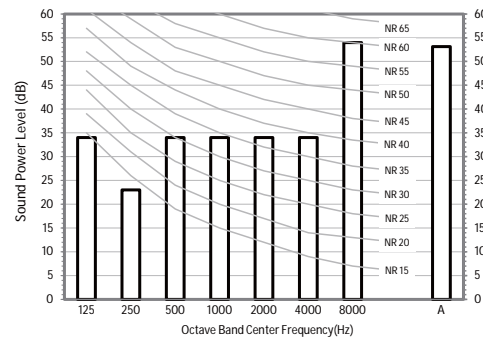
Unit: dB(A)

Model	Power
NJ026LHXEA (Slim Duct)	53
NJ035LHXEA (Slim Duct)	53
MH052FUEA (MSP Duct)	59

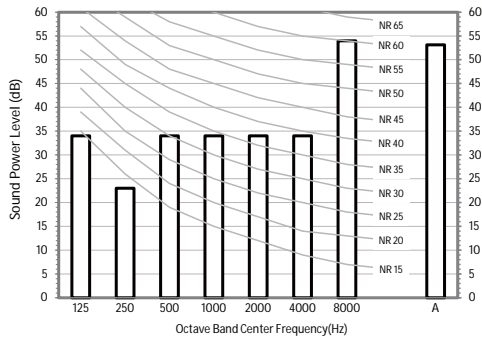
1) NJ026LHXEA (Slim Duct)



2) NJ035LHXEA (Slim Duct)



3) MH052FUEA (MSP Duct)



# 8. Sound Data

## 8-4. Indoor unit

### Sound Power level

#### Console

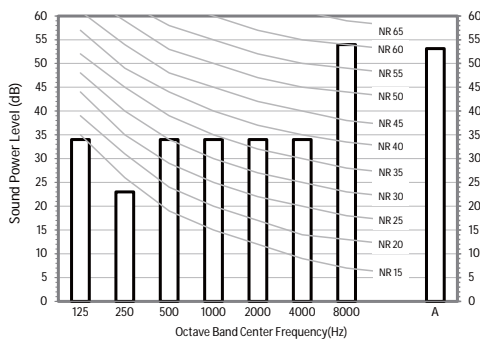
Unit: dB(A)

#### NOTE

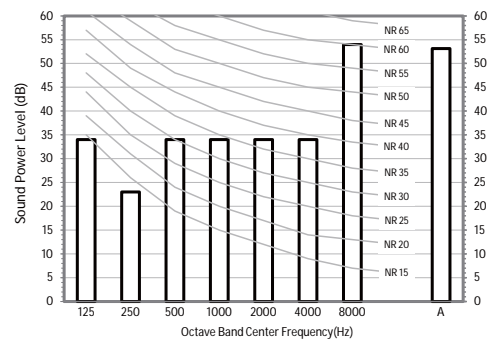
- Specifications may be subject to change without prior notice
  - Sound power level is an absolute value that a sound source generates.
  - dB(A) = A-weighted sound power level.
  - Reference power : 1pW.
  - Measured according to ISO 3741.

Model	Power
MH026FJEA	53
MH035FJEA	57
MH052FJEA	60

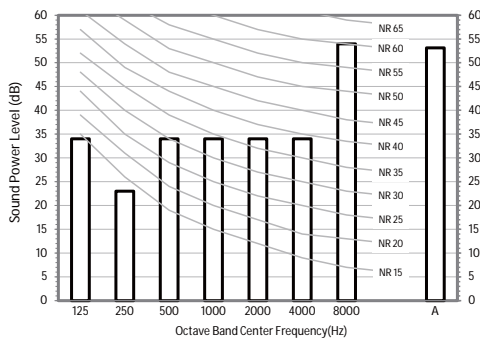
1) MH026FJEA



2) MH035FJEA



3) MH052FJEA



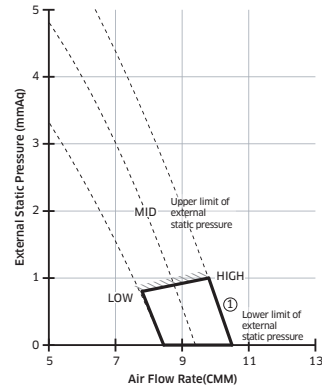
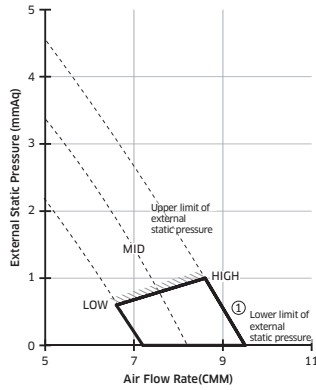
# 9. Fan Characteristics (PQ curve)

## 9-1 Slim Duct - NJ026LHXEA

## 9-2 Slim Duct -NJ035LHXEA

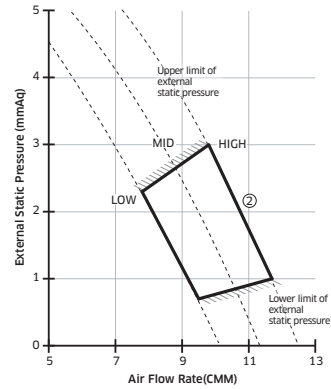
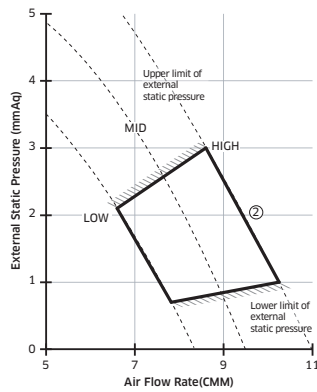
1	External Static Pressure[mmAq]	Option Code
	$0 \leq SP \leq 1.0$	015201-1400Fb-200000-300000

1	External Static Pressure[mmAq]	Option Code
	$0 \leq SP \leq 1.0$	015201-16025d-200000-300000



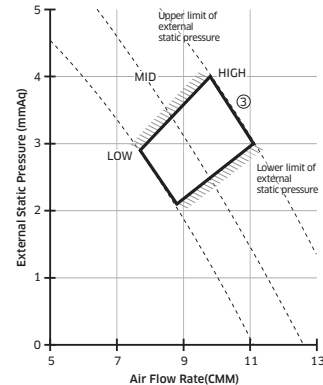
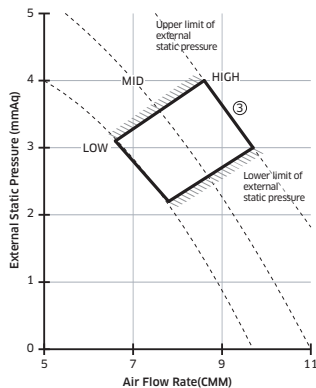
2	External Static Pressure[mmAq]	Option Code
	$1.0 < SP \leq 3.0$ (Default)	015201-14020C-200000-300000

2	External Static Pressure[mmAq]	Option Code
	$1 < SP \leq 3.0$ (Default)	015201-16026E-200000-300000



3	External Static Pressure[mmAq]	Option Code
	$3.0 < SP \leq 4.0$	015201-1403A2-200000-300000

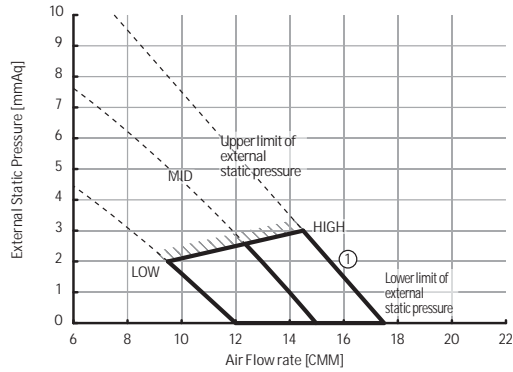
3	External Static Pressure[mmAq]	Option Code
	$3 < SP \leq 4.0$	015203-160108-200000-300000



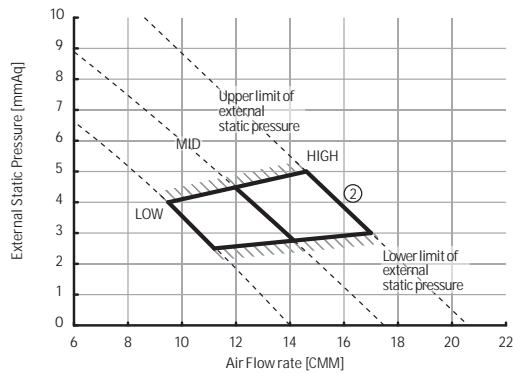
# 9. Fan Characteristics (PQ curve)

## 9-3. MSP Duct -MH052FUEA

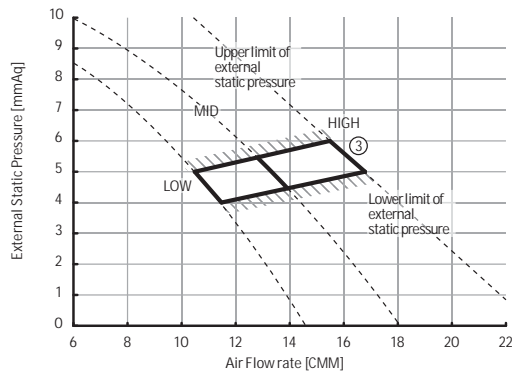
	External Static Pressure[mmAq]	Option Code
1	$0 \leq SP \leq 3.0$	012221-194360-200000-300000



	External Static Pressure[mmAq]	Option Code
2	$3.0 < SP \leq 5.0$ (Default)	012221-1943A2-200000-300000

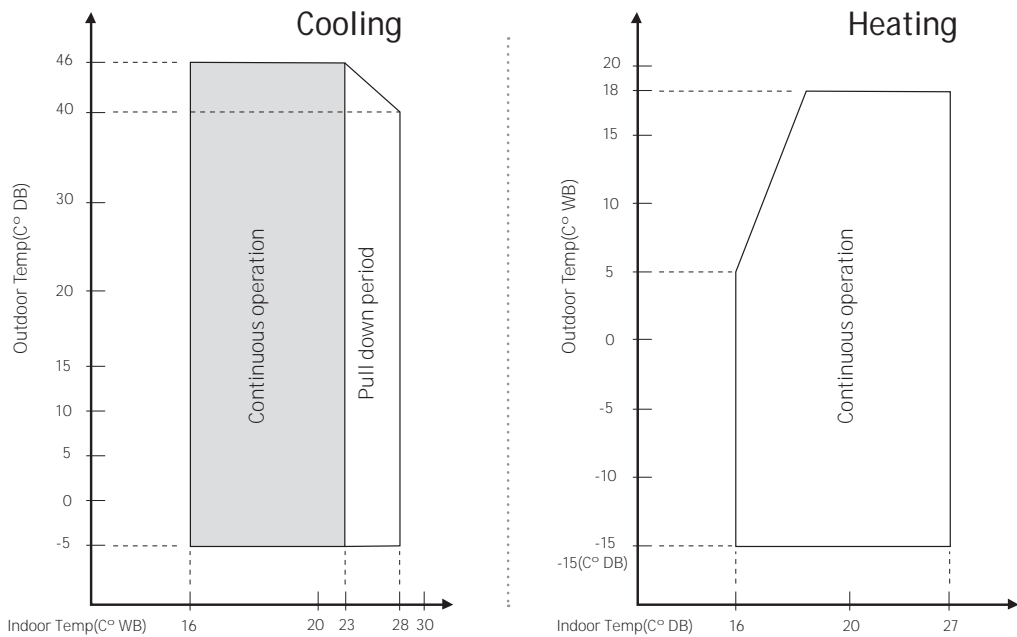


	External Static Pressure[mmAq]	Option Code
3	$5.0 < SP \leq 6.0$	012223-194105-200000-300000



# 10. Operation Range

## 10-1. AJ040/050/052/068/070/080FCJ\*EH\*\*

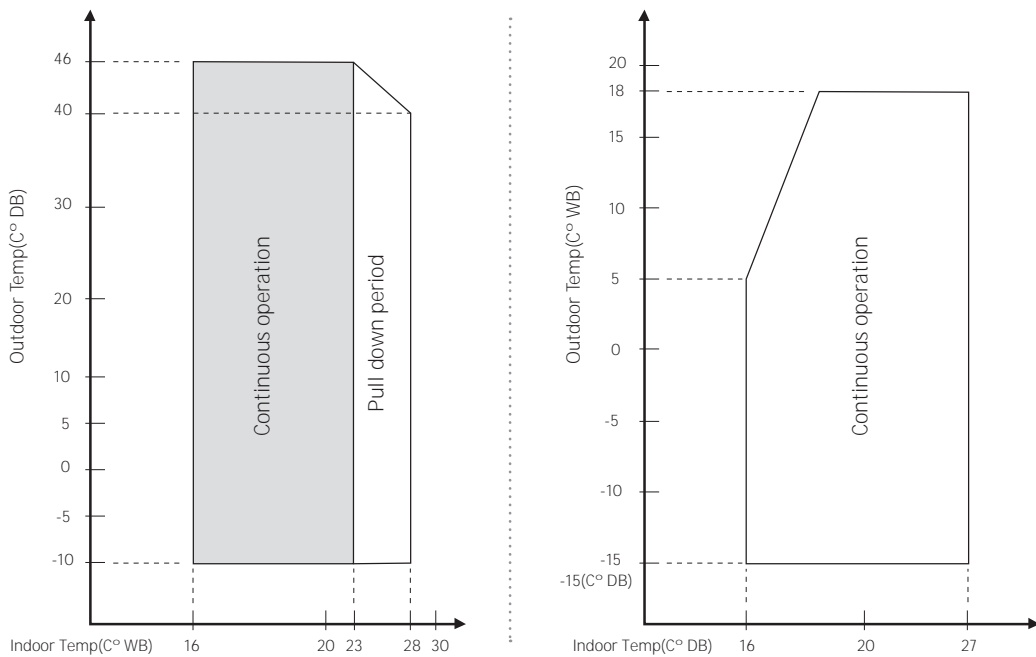


The graphs are based on the following conditions.

1. Equivalent piping length
2. Level difference 0m
3. Air flow rate High

AJ040/050/052/068FCJ\*EH\*\* : 5m  
 AJ070/080FCJ\*EH\*\* : 7.5m

## 10-2. AJ100FCJ\*EH\*\*



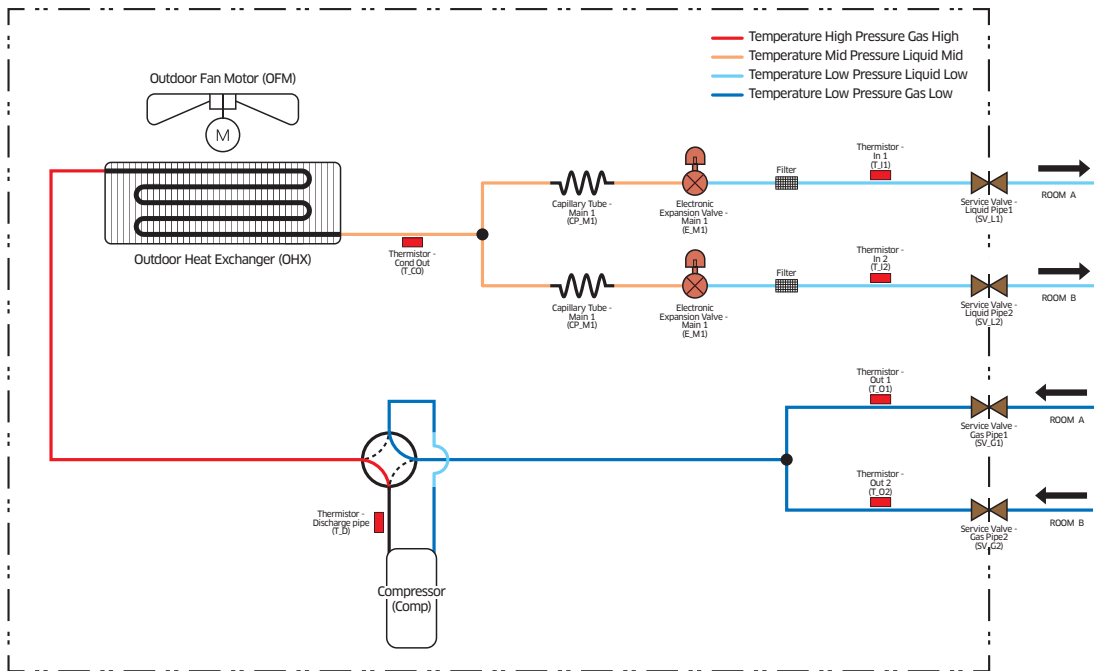
The graphs are based on the following conditions.

1. Equivalent piping length
2. Level difference 0m
3. Air flow rate High

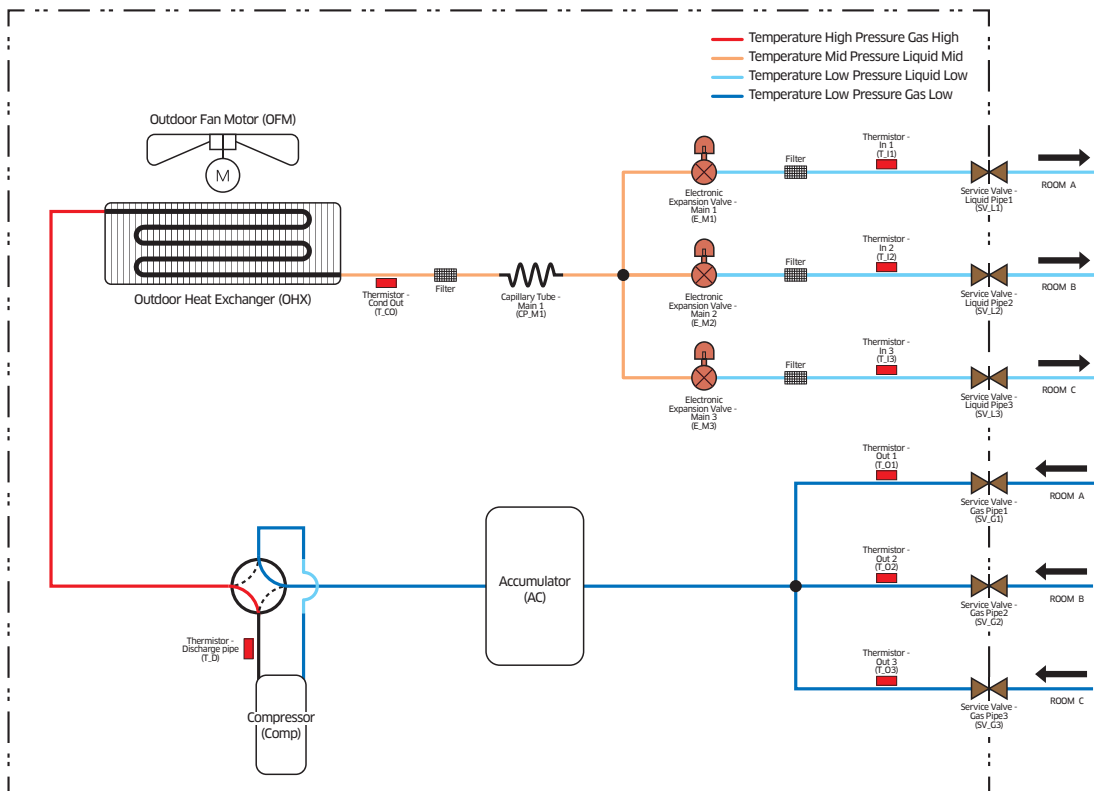
AJ100FCJ\*EH\*\* : 5m

# 11. Piping Diagram

## 11-1. AJ040MCJ2EH\*~~\*~~, AJ050MCJ2EH\*~~\*~~



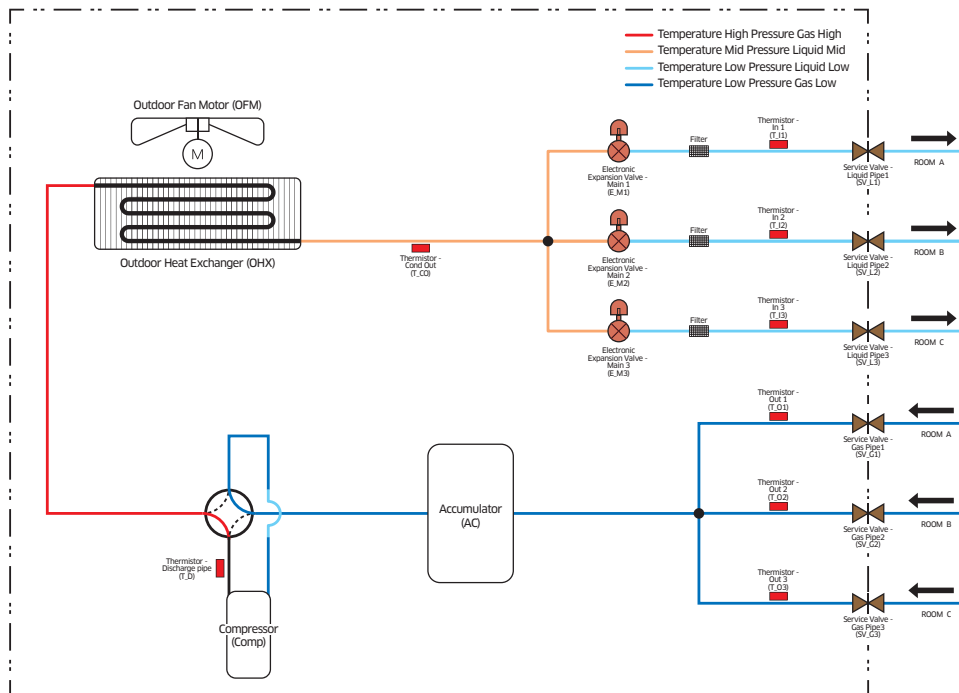
## 11-2. AJ052MCJ3EH\*~~\*~~



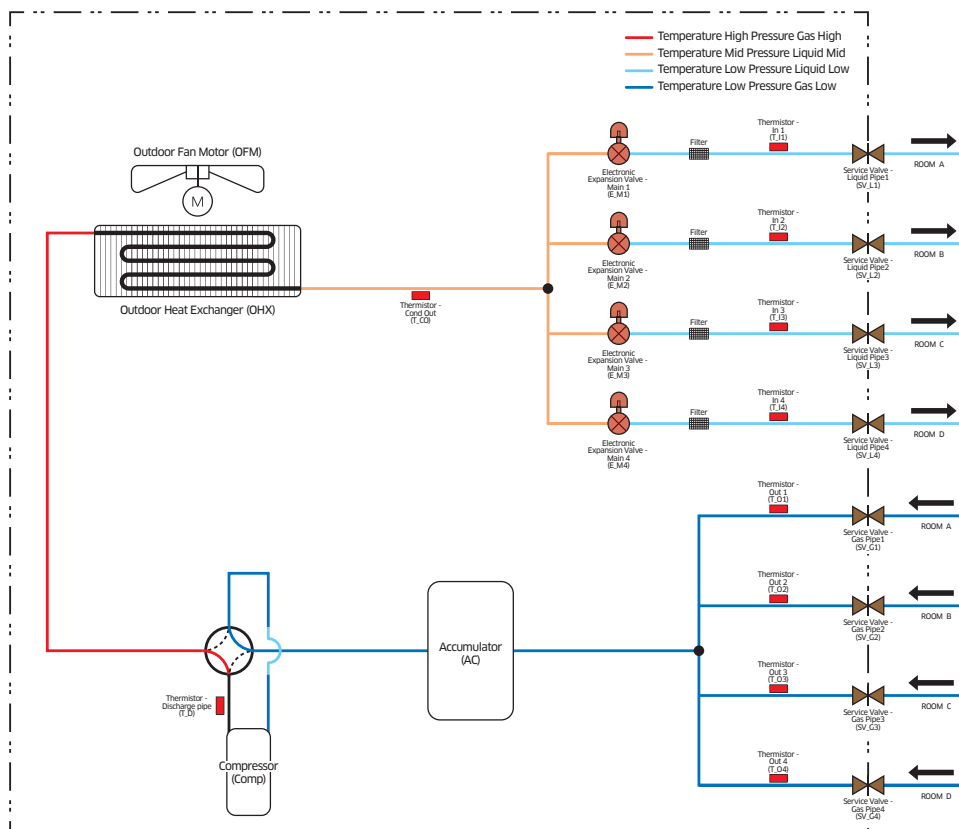


# 11. Piping Diagram

## 11-3. AJ068MCJ3EH\*~~\*~~

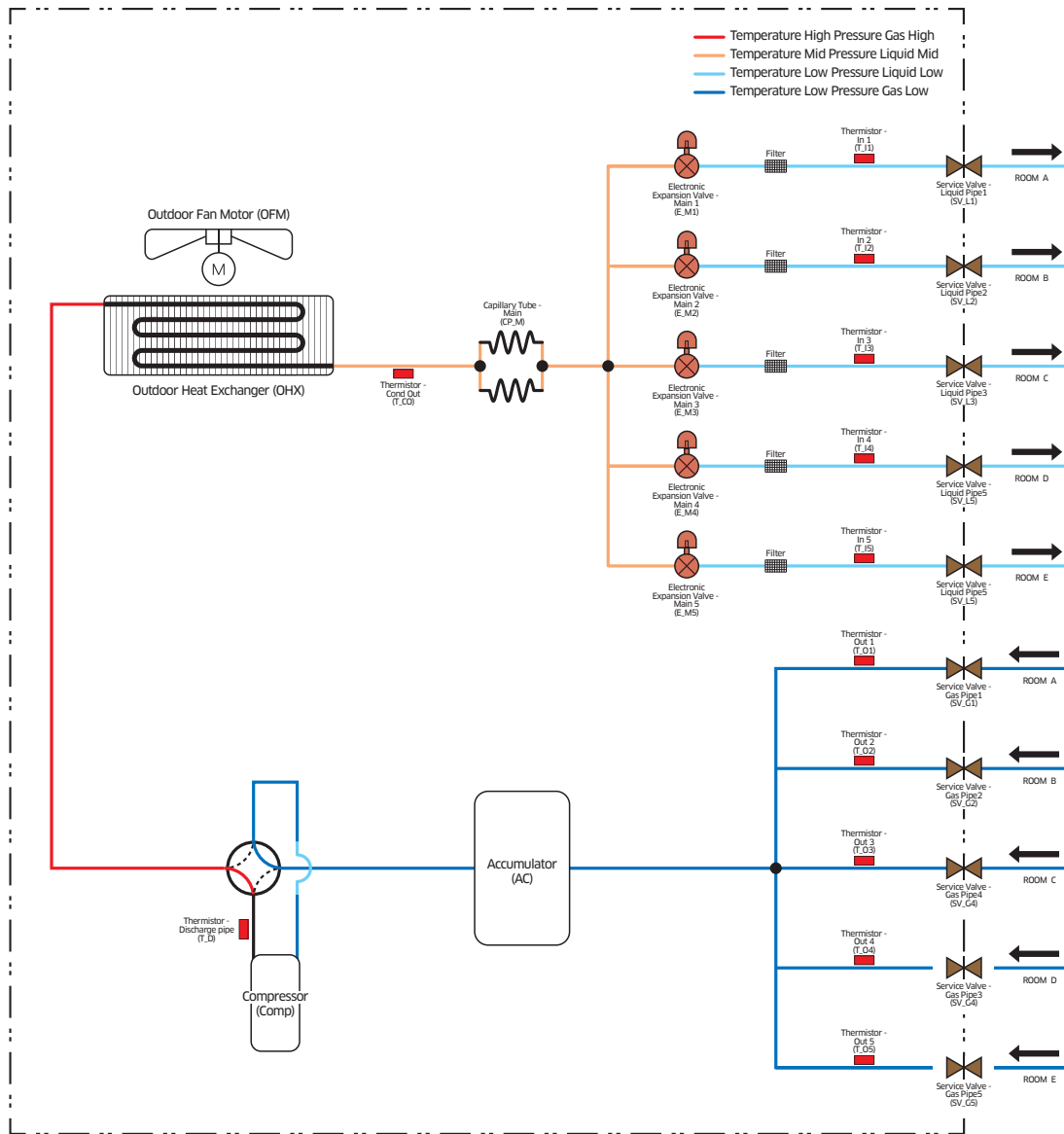


## 11-4. AJ070MCJ4EH\*~~\*~~, AJ080MCJ4EH\*~~\*~~



# 11. Piping Diagram

## 11-5. AJ100MCJ5EH\*<sup>※</sup>



# 12. Capacity Table

## 12-1. AJ040MCJ2EH/EU

### COOLING

Combination (Capacity Index)				Combination (Total)	Combination (%)	Outdoor Temperature (°C, DB)	Indoor Temperature (°C, WB)															
							14		16		18		19		20		22		24			
							TC(kW)	PI(kW)	TC(kW)	PI(kW)	TC(kW)	PI(kW)	TC(kW)	PI(kW)	TC(kW)	PI(kW)	TC(kW)	PI(kW)	TC(kW)	PI(kW)		
2000				2000	50%	10	1.68	0.31	2.43	0.35	2.54	0.38	2.59	0.39	2.64	0.40	2.74	0.42	2.85	0.44		
						12	1.68	0.33	2.39	0.36	2.50	0.39	2.55	0.40	2.60	0.41	2.70	0.43	2.81	0.45		
						14	1.68	0.34	2.36	0.37	2.46	0.40	2.51	0.41	2.56	0.42	2.66	0.44	2.76	0.45		
						16	1.68	0.36	2.32	0.39	2.42	0.41	2.47	0.43	2.52	0.44	2.62	0.45	2.72	0.46		
						18	1.68	0.37	2.28	0.40	2.38	0.43	2.43	0.44	2.48	0.45	2.58	0.46	2.68	0.47		
						20	1.68	0.39	2.24	0.41	2.34	0.44	2.39	0.45	2.44	0.46	2.54	0.47	2.64	0.48		
						21	1.68	0.39	2.22	0.42	2.32	0.45	2.37	0.46	2.42	0.46	2.52	0.48	2.62	0.49		
						23	1.68	0.41	2.18	0.44	2.28	0.46	2.33	0.47	2.38	0.48	2.48	0.49	2.58	0.50		
						25	1.68	0.42	2.15	0.45	2.24	0.47	2.29	0.48	2.34	0.49	2.44	0.50	2.54	0.51		
						27	1.68	0.44	2.11	0.47	2.20	0.49	2.25	0.49	2.30	0.50	2.40	0.51	2.50	0.52		
						29	1.68	0.46	2.07	0.48	2.17	0.50	2.21	0.51	2.26	0.51	2.36	0.52	2.46	0.53		
						31	1.68	0.47	2.03	0.50	2.13	0.51	2.18	0.52	2.22	0.53	2.32	0.53	2.42	0.54		
						33	1.68	0.49	1.99	0.51	2.09	0.53	2.14	0.53	2.19	0.54	2.28	0.55	2.38	0.55		
						35	1.68	0.51	1.96	0.53	2.05	0.54	2.10	0.54	2.15	0.55	2.24	0.56	2.34	0.56		
						37	1.68	0.52	1.92	0.54	2.01	0.56	2.06	0.56	2.11	0.57	2.20	0.57	2.30	0.57		
						39	1.68	0.54	1.88	0.56	1.98	0.57	2.02	0.58	2.07	0.58	2.16	0.58	2.26	0.58		
						42	1.66	0.57	1.83	0.58	1.92	0.59	1.97	0.60	2.01	0.60	2.11	0.60	2.20	0.60		
44	1.58	0.58	1.79	0.60	1.88	0.61	1.93	0.61	1.97	0.61	2.07	0.61	2.16	0.61								
46	1.53	0.60	1.75	0.62	1.84	0.62	1.89	0.63	1.94	0.63	2.03	0.63	2.12	0.62								
2500				2500	63%	10	2.00	0.43	2.90	0.48	3.02	0.52	3.08	0.54	3.14	0.56	3.26	0.59	3.39	0.61		
						12	2.00	0.45	2.85	0.50	2.97	0.54	3.03	0.56	3.09	0.57	3.22	0.60	3.34	0.62		
						14	2.00	0.47	2.80	0.52	2.93	0.56	2.99	0.57	3.05	0.59	3.17	0.61	3.29	0.63		
						16	2.00	0.49	2.76	0.54	2.88	0.57	2.94	0.59	3.00	0.60	3.12	0.63	3.24	0.64		
						18	2.00	0.51	2.71	0.56	2.83	0.59	2.89	0.61	2.95	0.62	3.07	0.64	3.19	0.66		
						20	2.00	0.54	2.67	0.58	2.79	0.61	2.85	0.62	2.90	0.64	3.02	0.66	3.14	0.67		
						21	2.00	0.55	2.64	0.59	2.76	0.62	2.82	0.63	2.88	0.64	3.00	0.66	3.12	0.67		
						23	2.00	0.57	2.60	0.61	2.72	0.64	2.78	0.65	2.83	0.66	2.95	0.68	3.07	0.69		
						25	2.00	0.59	2.55	0.63	2.67	0.66	2.73	0.67	2.79	0.68	2.91	0.69	3.02	0.70		
						27	2.00	0.61	2.51	0.65	2.62	0.67	2.68	0.69	2.74	0.69	2.86	0.71	2.98	0.72		
						29	2.00	0.63	2.46	0.67	2.58	0.69	2.64	0.70	2.69	0.71	2.81	0.72	2.93	0.73		
						31	2.00	0.66	2.42	0.69	2.53	0.71	2.59	0.72	2.65	0.73	2.76	0.74	2.88	0.74		
						33	2.00	0.68	2.37	0.71	2.49	0.73	2.54	0.74	2.60	0.75	2.72	0.76	2.83	0.76		
						35	2.00	0.70	2.33	0.73	2.44	0.75	2.50	0.75	2.56	0.77	2.67	0.77	2.78	0.77		
						37	2.00	0.73	2.29	0.75	2.40	0.77	2.45	0.78	2.51	0.79	2.62	0.79	2.74	0.79		
						39	2.00	0.75	2.24	0.77	2.35	0.79	2.41	0.80	2.46	0.80	2.58	0.81	2.69	0.81		
						42	1.98	0.79	2.18	0.81	2.29	0.82	2.34	0.83	2.40	0.83	2.51	0.83	2.62	0.83		
44	1.88	0.81	2.13	0.83	2.24	0.85	2.30	0.85	2.35	0.85	2.46	0.85	2.57	0.85								
46	1.83	0.83	2.09	0.85	2.20	0.87	2.25	0.87	2.30	0.87	2.41	0.87	2.53	0.86								

# 12. Capacity Table

## 12-1. AJ040MCJ2EH/EU

### COOLING

Combination (Capacity Index)				Combination (Total)	Combination (%)	Outdoor Temperature (°C, DB)	Indoor Temperature (°C, WB)															
							14		16		18		19		20		22		24			
							TC(kW)	PI(kW)	TC(kW)	PI(kW)	TC(kW)	PI(kW)	TC(kW)	PI(kW)	TC(kW)	PI(kW)	TC(kW)	PI(kW)	TC(kW)	PI(kW)		
3500				3500	88%	10	2.80	0.61	4.06	0.68	4.23	0.74	4.31	0.77	4.40	0.79	4.57	0.83	4.74	0.86		
						12	2.80	0.64	3.99	0.71	4.16	0.76	4.25	0.79	4.33	0.81	4.50	0.85	4.68	0.87		
						14	2.80	0.67	3.93	0.73	4.10	0.79	4.18	0.81	4.26	0.83	4.44	0.87	4.61	0.89		
						16	2.80	0.70	3.86	0.76	4.03	0.81	4.11	0.83	4.20	0.85	4.37	0.89	4.54	0.91		
						18	2.80	0.73	3.80	0.79	3.96	0.84	4.05	0.86	4.13	0.88	4.30	0.91	4.47	0.93		
						20	2.80	0.76	3.73	0.81	3.90	0.86	3.98	0.88	4.07	0.90	4.23	0.93	4.40	0.94		
						21	2.80	0.77	3.70	0.83	3.87	0.87	3.95	0.89	4.03	0.91	4.20	0.94	4.37	0.95		
						23	2.80	0.80	3.64	0.86	3.80	0.90	3.89	0.92	3.97	0.93	4.13	0.96	4.30	0.97		
						25	2.80	0.83	3.58	0.88	3.74	0.93	3.82	0.94	3.90	0.96	4.07	0.98	4.23	0.99		
						27	2.80	0.86	3.51	0.91	3.67	0.95	3.76	0.97	3.84	0.98	4.00	1.00	4.17	1.01		
						29	2.80	0.89	3.45	0.94	3.61	0.98	3.69	0.99	3.77	1.01	3.93	1.02	4.10	1.03		
						31	2.80	0.93	3.39	0.97	3.55	1.01	3.63	1.02	3.71	1.03	3.87	1.05	4.03	1.05		
						33	2.80	0.96	3.32	1.00	3.48	1.03	3.56	1.05	3.64	1.06	3.80	1.07	3.97	1.07		
						35	2.80	0.99	3.26	1.03	3.42	1.06	3.50	1.06	3.58	1.08	3.74	1.09	3.90	1.09		
						37	2.80	1.03	3.20	1.06	3.36	1.09	3.43	1.10	3.51	1.11	3.67	1.12	3.83	1.12		
						39	2.80	1.06	3.14	1.09	3.29	1.12	3.37	1.13	3.45	1.14	3.61	1.14	3.77	1.14		
42	2.77	1.11	3.05	1.14	3.20	1.17	3.28	1.17	3.35	1.18	3.51	1.18	3.67	1.17								
44	2.63	1.14	2.98	1.18	3.14	1.20	3.21	1.20	3.29	1.21	3.45	1.21	3.60	1.20								
46	2.56	1.18	2.92	1.21	3.07	1.23	3.15	1.23	3.23	1.23	3.38	1.23	3.54	1.22								
2000	2000			4000	100%	10	3.53	0.83	4.99	0.85	5.08	0.87	5.14	0.88	5.20	0.89	5.35	0.91	5.52	0.93		
						12	3.53	0.85	4.85	0.87	4.95	0.89	5.01	0.90	5.08	0.91	5.23	0.93	5.41	0.95		
						14	3.53	0.87	4.72	0.89	4.83	0.91	4.89	0.92	4.96	0.93	5.12	0.95	5.31	0.97		
						16	3.53	0.89	4.60	0.91	4.71	0.93	4.78	0.94	4.85	0.95	5.02	0.97	5.21	0.99		
						18	3.53	0.92	4.48	0.94	4.60	0.96	4.67	0.97	4.75	0.98	4.92	0.99	5.12	1.01		
						20	3.53	0.94	4.36	0.96	4.49	0.98	4.57	0.99	4.65	1.00	4.83	1.02	5.03	1.04		
						21	3.53	0.95	4.31	0.97	4.44	0.99	4.52	1.00	4.60	1.01	4.78	1.03	4.99	1.05		
						23	3.53	0.98	4.20	1.00	4.34	1.02	4.42	1.03	4.51	1.03	4.70	1.05	4.91	1.07		
						25	3.53	1.00	4.10	1.02	4.25	1.04	4.33	1.05	4.42	1.06	4.62	1.08	4.84	1.10		
						27	3.53	1.03	4.01	1.05	4.16	1.07	4.25	1.08	4.34	1.08	4.55	1.10	4.78	1.12		
						29	3.53	1.05	3.92	1.07	4.08	1.09	4.17	1.10	4.27	1.11	4.48	1.13	4.72	1.15		
						31	3.53	1.08	3.84	1.10	4.01	1.12	4.10	1.13	4.20	1.14	4.42	1.16	4.66	1.17		
						33	3.53	1.11	3.76	1.13	3.94	1.15	4.03	1.16	4.13	1.16	4.36	1.18	4.61	1.20		
						35	3.53	1.13	3.69	1.15	3.87	1.17	4.00	1.18	4.08	1.19	4.31	1.21	4.57	1.23		
						37	3.53	1.16	3.62	1.18	3.81	1.20	3.91	1.21	4.02	1.22	4.26	1.24	4.53	1.26		
						39	3.53	1.19	3.56	1.21	3.76	1.23	3.86	1.24	3.98	1.25	4.22	1.27	4.49	1.28		
42	3.53	1.24	3.48	1.26	3.69	1.28	3.80	1.29	3.92	1.29	4.17	1.31	4.46	1.33								
44	3.53	1.27	3.44	1.29	3.65	1.31	3.76	1.32	3.89	1.32	4.15	1.34	4.44	1.36								
46	3.53	1.30	3.39	1.32	3.61	1.34	3.73	1.35	3.86	1.36	4.13	1.37	4.42	1.39								

# 12. Capacity Table

## 12-1. AJ040MCJ2EH/EU

### COOLING

Combination (Capacity Index)				Combination (Total)	Combination (%)	Outdoor Temperature (°C, DB)	Indoor Temperature (°C, WB)															
							14		16		18		19		20		22		24			
							TC(kW)	PI(kW)	TC(kW)	PI(kW)	TC(kW)	PI(kW)	TC(kW)	PI(kW)	TC(kW)	PI(kW)	TC(kW)	PI(kW)	TC(kW)	PI(kW)		
2000	2500			4500	113%	10	3.53	0.83	4.99	0.85	5.08	0.87	5.14	0.88	5.20	0.89	5.35	0.91	5.52	0.93		
						12	3.53	0.85	4.85	0.87	4.95	0.89	5.01	0.90	5.08	0.91	5.23	0.93	5.41	0.95		
						14	3.53	0.87	4.72	0.89	4.83	0.91	4.89	0.92	4.96	0.93	5.12	0.95	5.31	0.97		
						16	3.53	0.89	4.60	0.91	4.71	0.93	4.78	0.94	4.85	0.95	5.02	0.97	5.21	0.99		
						18	3.53	0.92	4.48	0.94	4.60	0.96	4.67	0.97	4.75	0.98	4.92	0.99	5.12	1.01		
						20	3.53	0.94	4.36	0.96	4.49	0.98	4.57	0.99	4.65	1.00	4.83	1.02	5.03	1.04		
						21	3.53	0.95	4.31	0.97	4.44	0.99	4.52	1.00	4.60	1.01	4.78	1.03	4.99	1.05		
						23	3.53	0.98	4.20	1.00	4.34	1.02	4.42	1.03	4.51	1.03	4.70	1.05	4.91	1.07		
						25	3.53	1.00	4.10	1.02	4.25	1.04	4.33	1.05	4.42	1.06	4.62	1.08	4.84	1.10		
						27	3.53	1.03	4.01	1.05	4.16	1.07	4.25	1.08	4.34	1.08	4.55	1.10	4.78	1.12		
						29	3.53	1.05	3.92	1.07	4.08	1.09	4.17	1.10	4.27	1.11	4.48	1.13	4.72	1.15		
						31	3.53	1.08	3.84	1.10	4.01	1.12	4.10	1.13	4.20	1.14	4.42	1.16	4.66	1.17		
						33	3.53	1.11	3.76	1.13	3.94	1.15	4.03	1.16	4.13	1.16	4.36	1.18	4.61	1.20		
						35	3.53	1.13	3.69	1.15	3.87	1.17	4.00	1.18	4.08	1.19	4.31	1.21	4.57	1.23		
						37	3.53	1.16	3.62	1.18	3.81	1.20	3.91	1.21	4.02	1.22	4.26	1.24	4.53	1.26		
						39	3.53	1.19	3.56	1.21	3.76	1.23	3.86	1.24	3.98	1.25	4.22	1.27	4.49	1.28		
42	3.53	1.24	3.48	1.26	3.69	1.28	3.80	1.29	3.92	1.29	4.17	1.31	4.46	1.33								
44	3.53	1.27	3.44	1.29	3.65	1.31	3.76	1.32	3.89	1.32	4.15	1.34	4.44	1.36								
46	3.53	1.30	3.39	1.32	3.61	1.34	3.73	1.35	3.86	1.36	4.13	1.37	4.42	1.39								
2000	3500			5500	138%	10	3.53	0.83	4.99	0.85	5.08	0.87	5.14	0.88	5.20	0.89	5.35	0.91	5.52	0.93		
						12	3.53	0.85	4.85	0.87	4.95	0.89	5.01	0.90	5.08	0.91	5.23	0.93	5.41	0.95		
						14	3.53	0.87	4.72	0.89	4.83	0.91	4.89	0.92	4.96	0.93	5.12	0.95	5.31	0.97		
						16	3.53	0.89	4.60	0.91	4.71	0.93	4.78	0.94	4.85	0.95	5.02	0.97	5.21	0.99		
						18	3.53	0.92	4.48	0.94	4.60	0.96	4.67	0.97	4.75	0.98	4.92	0.99	5.12	1.01		
						20	3.53	0.94	4.36	0.96	4.49	0.98	4.57	0.99	4.65	1.00	4.83	1.02	5.03	1.04		
						21	3.53	0.95	4.31	0.97	4.44	0.99	4.52	1.00	4.60	1.01	4.78	1.03	4.99	1.05		
						23	3.53	0.98	4.20	1.00	4.34	1.02	4.42	1.03	4.51	1.03	4.70	1.05	4.91	1.07		
						25	3.53	1.00	4.10	1.02	4.25	1.04	4.33	1.05	4.42	1.06	4.62	1.08	4.84	1.10		
						27	3.53	1.03	4.01	1.05	4.16	1.07	4.25	1.08	4.34	1.08	4.55	1.10	4.78	1.12		
						29	3.53	1.05	3.92	1.07	4.08	1.09	4.17	1.10	4.27	1.11	4.48	1.13	4.72	1.15		
						31	3.53	1.08	3.84	1.10	4.01	1.12	4.10	1.13	4.20	1.14	4.42	1.16	4.66	1.17		
						33	3.53	1.11	3.76	1.13	3.94	1.15	4.03	1.16	4.13	1.16	4.36	1.18	4.61	1.20		
						35	3.53	1.13	3.69	1.15	3.87	1.17	4.00	1.18	4.08	1.19	4.31	1.21	4.57	1.23		
						37	3.53	1.16	3.62	1.18	3.81	1.20	3.91	1.21	4.02	1.22	4.26	1.24	4.53	1.26		
						39	3.53	1.19	3.56	1.21	3.76	1.23	3.86	1.24	3.98	1.25	4.22	1.27	4.49	1.28		
42	3.53	1.24	3.48	1.26	3.69	1.28	3.80	1.29	3.92	1.29	4.17	1.31	4.46	1.33								
44	3.53	1.27	3.44	1.29	3.65	1.31	3.76	1.32	3.89	1.32	4.15	1.34	4.44	1.36								
46	3.53	1.30	3.39	1.32	3.61	1.34	3.73	1.35	3.86	1.36	4.13	1.37	4.42	1.39								

# 12. Capacity Table

## 12-1. AJ040MCJ2EH/EU

### COOLING

Combination (Capacity Index)			Combination (Total)	Combination (%)	Outdoor Temperature (°C, DB)	Indoor Temperature (°C, WB)													
						14		16		18		19		20		22		24	
						TC(kW)	PI(kW)	TC(kW)	PI(kW)	TC(kW)	PI(kW)	TC(kW)	PI(kW)	TC(kW)	PI(kW)	TC(kW)	PI(kW)	TC(kW)	PI(kW)
2600	2500		5100	128%	10	3.53	0.83	4.99	0.85	5.08	0.87	5.14	0.88	5.20	0.89	5.35	0.91	5.52	0.93
					12	3.53	0.85	4.85	0.87	4.95	0.89	5.01	0.90	5.08	0.91	5.23	0.93	5.41	0.95
					14	3.53	0.87	4.72	0.89	4.83	0.91	4.89	0.92	4.96	0.93	5.12	0.95	5.31	0.97
					16	3.53	0.89	4.60	0.91	4.71	0.93	4.78	0.94	4.85	0.95	5.02	0.97	5.21	0.99
					18	3.53	0.92	4.48	0.94	4.60	0.96	4.67	0.97	4.75	0.98	4.92	0.99	5.12	1.01
					20	3.53	0.94	4.36	0.96	4.49	0.98	4.57	0.99	4.65	1.00	4.83	1.02	5.03	1.04
					21	3.53	0.95	4.31	0.97	4.44	0.99	4.52	1.00	4.60	1.01	4.78	1.03	4.99	1.05
					23	3.53	0.98	4.20	1.00	4.34	1.02	4.42	1.03	4.51	1.03	4.70	1.05	4.91	1.07
					25	3.53	1.00	4.10	1.02	4.25	1.04	4.33	1.05	4.42	1.06	4.62	1.08	4.84	1.10
					27	3.53	1.03	4.01	1.05	4.16	1.07	4.25	1.08	4.34	1.08	4.55	1.10	4.78	1.12
					29	3.53	1.05	3.92	1.07	4.08	1.09	4.17	1.10	4.27	1.11	4.48	1.13	4.72	1.15
					31	3.53	1.08	3.84	1.10	4.01	1.12	4.10	1.13	4.20	1.14	4.42	1.16	4.66	1.17
					33	3.53	1.11	3.76	1.13	3.94	1.15	4.03	1.16	4.13	1.16	4.36	1.18	4.61	1.20
					35	3.53	1.13	3.69	1.15	3.87	1.17	4.00	1.18	4.08	1.19	4.31	1.21	4.57	1.23
					37	3.53	1.16	3.62	1.18	3.81	1.20	3.91	1.21	4.02	1.22	4.26	1.24	4.53	1.26
					39	3.53	1.19	3.56	1.21	3.76	1.23	3.86	1.24	3.98	1.25	4.22	1.27	4.49	1.28
42	3.53	1.24	3.48	1.26	3.69	1.28	3.80	1.29	3.92	1.29	4.17	1.31	4.46	1.33					
44	3.53	1.27	3.44	1.29	3.65	1.31	3.76	1.32	3.89	1.32	4.15	1.34	4.44	1.36					
46	3.53	1.30	3.39	1.32	3.61	1.34	3.73	1.35	3.86	1.36	4.13	1.37	4.42	1.39					
2500	3500		6000	150%	10	3.53	0.70	4.99	0.71	5.08	0.73	5.14	0.74	5.20	0.75	5.35	0.76	5.52	0.78
					12	3.53	0.71	4.85	0.73	4.95	0.75	5.01	0.76	5.08	0.76	5.23	0.78	5.41	0.79
					14	3.53	0.73	4.72	0.75	4.83	0.77	4.89	0.77	4.96	0.78	5.12	0.80	5.31	0.81
					16	3.53	0.75	4.60	0.77	4.71	0.78	4.78	0.79	4.85	0.80	5.02	0.82	5.21	0.83
					18	3.53	0.77	4.48	0.79	4.60	0.80	4.67	0.81	4.75	0.82	4.92	0.83	5.12	0.85
					20	3.53	0.79	4.36	0.81	4.49	0.82	4.57	0.83	4.65	0.84	4.83	0.85	5.03	0.87
					21	3.53	0.80	4.31	0.82	4.44	0.83	4.52	0.84	4.60	0.85	4.78	0.86	4.99	0.88
					23	3.53	0.82	4.20	0.84	4.34	0.85	4.42	0.86	4.51	0.87	4.70	0.88	4.91	0.90
					25	3.53	0.84	4.10	0.86	4.25	0.87	4.33	0.88	4.42	0.89	4.62	0.90	4.84	0.92
					27	3.53	0.86	4.01	0.88	4.16	0.89	4.25	0.90	4.34	0.91	4.55	0.93	4.78	0.94
					29	3.53	0.88	3.92	0.90	4.08	0.92	4.17	0.92	4.27	0.93	4.48	0.95	4.72	0.96
					31	3.53	0.91	3.84	0.92	4.01	0.94	4.10	0.95	4.20	0.95	4.42	0.97	4.66	0.98
					33	3.53	0.93	3.76	0.94	3.94	0.96	4.03	0.97	4.13	0.98	4.36	0.99	4.61	1.01
					35	3.53	0.95	3.69	0.97	3.87	0.98	4.00	0.99	4.08	1.00	4.31	1.02	4.57	1.03
					37	3.53	0.98	3.62	0.99	3.81	1.01	3.91	1.02	4.02	1.02	4.26	1.04	4.53	1.05
					39	3.53	1.00	3.56	1.02	3.76	1.03	3.86	1.04	3.98	1.05	4.22	1.06	4.49	1.08
42	3.53	1.04	3.48	1.05	3.69	1.07	3.80	1.08	3.92	1.09	4.17	1.10	4.46	1.11					
44	3.53	1.06	3.44	1.08	3.65	1.10	3.76	1.10	3.89	1.11	4.15	1.13	4.44	1.14					
46	3.53	1.09	3.39	1.11	3.61	1.12	3.73	1.13	3.86	1.14	4.13	1.15	4.42	1.17					

### NOTE

- Cooling capacity is based on 27°CDB / 19°CWB (indoor temperature), 35°CDB (outdoor temperature).
- Heating capacity is based on 20°CDB (indoor temperature), 7°CDB/6°CWB (outdoor temperature).
- The above is the value for connecting with the following indoor units.
  - 2000, 2500, 3500W class: Wall Mounted [except A3050 Better Series]
- Capacities are based on the following conditions:
  - Corresponding refrigerant piping length : 5m / - Level difference : 0m
- The total ability of connected a indoor unit is up to 6.0KW
- It is impossible to connect the indoor unit for one room only.
- This data is reference data for temperature capacity trend.

# 12. Capacity Table

## 12-1. AJ040MCJ2EH/EU

### COOLING

Combination (Capacity Index)				Combination (Total)	Combination (%)	Outdoor Temperature (°C, DB)	Indoor Temperature (°C, WB)															
							14		16		18		19		20		22		24			
							TC(kW)	PI(kW)	TC(kW)	PI(kW)	TC(kW)	PI(kW)	TC(kW)	PI(kW)	TC(kW)	PI(kW)	TC(kW)	PI(kW)	TC(kW)	PI(kW)		
2600	2500			5100	128%	10	3.53	0.83	4.99	0.85	5.08	0.87	5.14	0.88	5.20	0.89	5.35	0.91	5.52	0.93		
						12	3.53	0.85	4.85	0.87	4.95	0.89	5.01	0.90	5.08	0.91	5.23	0.93	5.41	0.95		
						14	3.53	0.87	4.72	0.89	4.83	0.91	4.89	0.92	4.96	0.93	5.12	0.95	5.31	0.97		
						16	3.53	0.89	4.60	0.91	4.71	0.93	4.78	0.94	4.85	0.95	5.02	0.97	5.21	0.99		
						18	3.53	0.92	4.48	0.94	4.60	0.96	4.67	0.97	4.75	0.98	4.92	0.99	5.12	1.01		
						20	3.53	0.94	4.36	0.96	4.49	0.98	4.57	0.99	4.65	1.00	4.83	1.02	5.03	1.04		
						21	3.53	0.95	4.31	0.97	4.44	0.99	4.52	1.00	4.60	1.01	4.78	1.03	4.99	1.05		
						23	3.53	0.98	4.20	1.00	4.34	1.02	4.42	1.03	4.51	1.03	4.70	1.05	4.91	1.07		
						25	3.53	1.00	4.10	1.02	4.25	1.04	4.33	1.05	4.42	1.06	4.62	1.08	4.84	1.10		
						27	3.53	1.03	4.01	1.05	4.16	1.07	4.25	1.08	4.34	1.08	4.55	1.10	4.78	1.12		
						29	3.53	1.05	3.92	1.07	4.08	1.09	4.17	1.10	4.27	1.11	4.48	1.13	4.72	1.15		
						31	3.53	1.08	3.84	1.10	4.01	1.12	4.10	1.13	4.20	1.14	4.42	1.16	4.66	1.17		
						33	3.53	1.11	3.76	1.13	3.94	1.15	4.03	1.16	4.13	1.16	4.36	1.18	4.61	1.20		
						35	3.53	1.13	3.69	1.15	3.87	1.17	4.00	1.18	4.08	1.19	4.31	1.21	4.57	1.23		
						37	3.53	1.16	3.62	1.18	3.81	1.20	3.91	1.21	4.02	1.22	4.26	1.24	4.53	1.26		
						39	3.53	1.19	3.56	1.21	3.76	1.23	3.86	1.24	3.98	1.25	4.22	1.27	4.49	1.28		
42	3.53	1.24	3.48	1.26	3.69	1.28	3.80	1.29	3.92	1.29	4.17	1.31	4.46	1.33								
44	3.53	1.27	3.44	1.29	3.65	1.31	3.76	1.32	3.89	1.32	4.15	1.34	4.44	1.36								
46	3.53	1.30	3.39	1.32	3.61	1.34	3.73	1.35	3.86	1.36	4.13	1.37	4.42	1.39								
2500	3500			6000	150%	10	3.53	0.70	4.99	0.71	5.08	0.73	5.14	0.74	5.20	0.75	5.35	0.76	5.52	0.78		
						12	3.53	0.71	4.85	0.73	4.95	0.75	5.01	0.76	5.08	0.76	5.23	0.78	5.41	0.79		
						14	3.53	0.73	4.72	0.75	4.83	0.77	4.89	0.77	4.96	0.78	5.12	0.80	5.31	0.81		
						16	3.53	0.75	4.60	0.77	4.71	0.78	4.78	0.79	4.85	0.80	5.02	0.82	5.21	0.83		
						18	3.53	0.77	4.48	0.79	4.60	0.80	4.67	0.81	4.75	0.82	4.92	0.83	5.12	0.85		
						20	3.53	0.79	4.36	0.81	4.49	0.82	4.57	0.83	4.65	0.84	4.83	0.85	5.03	0.87		
						21	3.53	0.80	4.31	0.82	4.44	0.83	4.52	0.84	4.60	0.85	4.78	0.86	4.99	0.88		
						23	3.53	0.82	4.20	0.84	4.34	0.85	4.42	0.86	4.51	0.87	4.70	0.88	4.91	0.90		
						25	3.53	0.84	4.10	0.86	4.25	0.87	4.33	0.88	4.42	0.89	4.62	0.90	4.84	0.92		
						27	3.53	0.86	4.01	0.88	4.16	0.89	4.25	0.90	4.34	0.91	4.55	0.93	4.78	0.94		
						29	3.53	0.88	3.92	0.90	4.08	0.92	4.17	0.92	4.27	0.93	4.48	0.95	4.72	0.96		
						31	3.53	0.91	3.84	0.92	4.01	0.94	4.10	0.95	4.20	0.95	4.42	0.97	4.66	0.98		
						33	3.53	0.93	3.76	0.94	3.94	0.96	4.03	0.97	4.13	0.98	4.36	0.99	4.61	1.01		
						35	3.53	0.95	3.69	0.97	3.87	0.98	4.00	0.99	4.08	1.00	4.31	1.02	4.57	1.03		
						37	3.53	0.98	3.62	0.99	3.81	1.01	3.91	1.02	4.02	1.02	4.26	1.04	4.53	1.05		
						39	3.53	1.00	3.56	1.02	3.76	1.03	3.86	1.04	3.98	1.05	4.22	1.06	4.49	1.08		
42	3.53	1.04	3.48	1.05	3.69	1.07	3.80	1.08	3.92	1.09	4.17	1.10	4.46	1.11								
44	3.53	1.06	3.44	1.08	3.65	1.10	3.76	1.10	3.89	1.11	4.15	1.13	4.44	1.14								
46	3.53	1.09	3.39	1.11	3.61	1.12	3.73	1.13	3.86	1.14	4.13	1.15	4.42	1.17								

### NOTE

- Cooling capacity is based on 27°CDB / 19°CWB (indoor temperature), 35°CDB (outdoor temperature).
- Heating capacity is based on 20°CDB (indoor temperature), 7°CDB/6°CWB (outdoor temperature).
- The above is the value for connecting with the following indoor units.
  - 2000, 2500, 3500W class: Wall Mounted [only for A3050 Better Series]
- Capacities are based on the following conditions:
  - Corresponding refrigerant piping length : 5m / - Level difference : 0m
- The total ability of connected a indoor unit is up to 6.0kW
- It is impossible to connect the indoor unit for one room only.
- This data is reference data for temperature capacity trend.

# 12. Capacity Table

## 12-1. AJ040MCJ2EH/EU

### HEATING

Combination (Capacity Index)				Combination (Total)	Combination (%)	Outdoor Temperature (°C, DB)	Indoor Temperature (°C, DB)															
							14		16		18		20		21		22		24			
							TC(kW)	PI(kW)	TC(kW)	PI(kW)	TC(kW)	PI(kW)	TC(kW)	PI(kW)	TC(kW)	PI(kW)	TC(kW)	PI(kW)	TC(kW)	PI(kW)		
2000				2000	50%	-15	1.37	0.62	1.33	0.63	1.29	0.64	1.28	0.64	1.26	0.64	1.23	0.65	1.21	0.66		
						-10	1.65	0.65	1.60	0.66	1.56	0.67	1.54	0.67	1.52	0.68	1.49	0.69	1.47	0.69		
						-5	1.92	0.68	1.87	0.69	1.83	0.70	1.81	0.71	1.79	0.71	1.75	0.72	1.73	0.73		
						0	2.19	0.72	2.14	0.73	2.09	0.74	2.07	0.74	2.05	0.75	2.02	0.75	1.99	0.76		
						2	2.30	0.73	2.25	0.74	2.20	0.75	2.18	0.75	2.16	0.76	2.12	0.77	2.09	0.77		
						7	2.52	0.75	2.46	0.77	2.42	0.78	2.40	0.78	2.37	0.79	2.33	0.79	2.30	0.80		
						10	2.74	0.78	2.68	0.79	2.63	0.80	2.61	0.81	2.59	0.81	2.54	0.82	2.51	0.83		
						15	3.01	0.81	2.95	0.82	2.90	0.83	2.88	0.84	2.85	0.84	2.81	0.85	2.77	0.86		
2500				2500	63%	-15	1.77	0.68	1.72	0.69	1.67	0.69	1.65	0.70	1.63	0.70	1.59	0.71	1.56	0.72		
						-10	2.13	0.71	2.07	0.72	2.01	0.73	1.99	0.74	1.97	0.74	1.93	0.75	1.89	0.75		
						-5	2.48	0.75	2.42	0.76	2.36	0.77	2.33	0.77	2.31	0.78	2.27	0.78	2.23	0.79		
						0	2.83	0.78	2.76	0.79	2.71	0.80	2.68	0.81	2.65	0.81	2.61	0.82	2.57	0.83		
						2	2.97	0.79	2.90	0.81	2.84	0.82	2.82	0.82	2.79	0.83	2.74	0.84	2.70	0.84		
						7	3.25	0.82	3.18	0.83	3.12	0.85	3.10	0.85	3.06	0.86	3.01	0.87	2.97	0.87		
						10	3.54	0.85	3.46	0.86	3.40	0.87	3.37	0.88	3.34	0.88	3.29	0.89	3.24	0.90		
						15	3.89	0.88	3.81	0.90	3.75	0.91	3.71	0.92	3.68	0.92	3.63	0.93	3.58	0.94		
3500				3500	88%	-15	2.18	0.87	2.11	0.89	2.05	0.90	2.02	0.90	1.99	0.91	1.95	0.92	1.91	0.93		
						-10	2.61	0.92	2.53	0.93	2.47	0.95	2.44	0.95	2.41	0.96	2.36	0.97	2.32	0.97		
						-5	3.04	0.97	2.96	0.98	2.89	0.99	2.86	1.00	2.83	1.00	2.78	1.01	2.73	1.02		
						0	3.47	1.01	3.39	1.03	3.32	1.04	3.28	1.05	3.25	1.05	3.19	1.06	3.14	1.07		
						2	3.64	1.03	3.56	1.04	3.49	1.06	3.45	1.06	3.42	1.07	3.36	1.08	3.31	1.09		
						7	3.99	1.06	3.90	1.08	3.83	1.09	3.80	1.10	3.76	1.11	3.69	1.12	3.64	1.13		
						10	4.33	1.10	4.25	1.12	4.17	1.13	4.13	1.14	4.09	1.15	4.03	1.16	3.97	1.17		
						15	4.77	1.14	4.68	1.16	4.59	1.18	4.55	1.18	4.52	1.19	4.45	1.20	4.38	1.22		
2000	2000			4000	100%	-15	2.52	0.92	2.44	0.94	2.37	0.95	2.34	0.95	2.31	0.96	2.26	0.97	2.21	0.98		
						-10	3.02	0.97	2.93	0.98	2.86	1.00	2.82	1.00	2.79	1.01	2.74	1.02	2.69	1.03		
						-5	3.52	1.02	3.43	1.03	3.35	1.05	3.31	1.05	3.28	1.06	3.22	1.07	3.16	1.08		
						0	4.02	1.07	3.92	1.08	3.84	1.10	3.80	1.10	3.76	1.11	3.70	1.12	3.64	1.13		
						2	4.22	1.08	4.12	1.10	4.04	1.12	4.00	1.12	3.96	1.13	3.89	1.14	3.83	1.15		
						7	4.62	1.12	4.52	1.14	4.43	1.15	4.40	1.16	4.35	1.17	4.28	1.18	4.21	1.19		
						10	5.02	1.16	4.92	1.18	4.82	1.19	4.78	1.20	4.74	1.21	4.66	1.22	4.60	1.23		
						15	5.52	1.21	5.41	1.22	5.32	1.24	5.27	1.25	5.23	1.26	5.15	1.27	5.08	1.28		
2000	2500			4500	113%	-15	2.52	0.92	2.44	0.94	2.37	0.95	2.34	0.95	2.31	0.96	2.26	0.97	2.21	0.98		
						-10	3.02	0.97	2.93	0.98	2.86	1.00	2.82	1.00	2.79	1.01	2.74	1.02	2.69	1.03		
						-5	3.52	1.02	3.43	1.03	3.35	1.05	3.31	1.05	3.28	1.06	3.22	1.07	3.16	1.08		
						0	4.02	1.07	3.92	1.08	3.84	1.10	3.80	1.10	3.76	1.11	3.70	1.12	3.64	1.13		
						2	4.22	1.08	4.12	1.10	4.04	1.12	4.00	1.12	3.96	1.13	3.89	1.14	3.83	1.15		
						7	4.62	1.12	4.52	1.14	4.43	1.15	4.40	1.16	4.35	1.17	4.28	1.18	4.21	1.19		
						10	5.02	1.16	4.92	1.18	4.82	1.19	4.78	1.20	4.74	1.21	4.66	1.22	4.60	1.23		
						15	5.52	1.21	5.41	1.22	5.32	1.24	5.27	1.25	5.23	1.26	5.15	1.27	5.08	1.28		
2000	3500			5500	138%	-15	2.52	0.92	2.44	0.94	2.37	0.95	2.34	0.95	2.31	0.96	2.26	0.97	2.21	0.98		
						-10	3.02	0.97	2.93	0.98	2.86	1.00	2.82	1.00	2.79	1.01	2.74	1.02	2.69	1.03		
						-5	3.52	1.02	3.43	1.03	3.35	1.05	3.31	1.05	3.28	1.06	3.22	1.07	3.16	1.08		
						0	4.02	1.07	3.92	1.08	3.84	1.10	3.80	1.10	3.76	1.11	3.70	1.12	3.64	1.13		
						2	4.22	1.08	4.12	1.10	4.04	1.12	4.00	1.12	3.96	1.13	3.89	1.14	3.83	1.15		
						7	4.62	1.12	4.52	1.14	4.43	1.15	4.40	1.16	4.35	1.17	4.28	1.18	4.21	1.19		
						10	5.02	1.16	4.92	1.18	4.82	1.19	4.78	1.20	4.74	1.21	4.66	1.22	4.60	1.23		
						15	5.52	1.21	5.41	1.22	5.32	1.24	5.27	1.25	5.23	1.26	5.15	1.27	5.08	1.28		



# 12. Capacity Table

## 12-1. AJ040MCJ2EH/EU

### HEATING

Combination (Capacity Index)				Combination (Total)	Combination (%)	Outdoor Temperature (°C, DB)	Indoor Temperature (°C, DB)															
							14		16		18		20		21		22		24			
							TC(kW)	PI(kW)	TC(kW)	PI(kW)	TC(kW)	PI(kW)	TC(kW)	PI(kW)	TC(kW)	PI(kW)	TC(kW)	PI(kW)	TC(kW)	PI(kW)		
2500	2500			5000	125%	-15	2.52	0.92	2.44	0.94	2.37	0.95	2.34	0.95	2.31	0.96	2.26	0.97	2.21	0.98		
						-10	3.02	0.97	2.93	0.98	2.86	1.00	2.82	1.00	2.79	1.01	2.74	1.02	2.69	1.03		
						-5	3.52	1.02	3.43	1.03	3.35	1.05	3.31	1.05	3.28	1.06	3.22	1.07	3.16	1.08		
						0	4.02	1.07	3.92	1.08	3.84	1.10	3.80	1.10	3.76	1.11	3.70	1.12	3.64	1.13		
						2	4.22	1.08	4.12	1.10	4.04	1.12	4.00	1.12	3.96	1.13	3.89	1.14	3.83	1.15		
						7	4.62	1.12	4.52	1.14	4.43	1.15	4.40	1.16	4.35	1.17	4.28	1.18	4.21	1.19		
						10	5.02	1.16	4.92	1.18	4.82	1.19	4.78	1.20	4.74	1.21	4.66	1.22	4.60	1.23		
						15	5.52	1.21	5.41	1.22	5.32	1.24	5.27	1.25	5.23	1.26	5.15	1.27	5.08	1.28		
2500	3500			6000	150%	-15	2.52	0.79	2.44	0.80	2.37	0.81	2.34	0.81	2.31	0.82	2.26	0.83	2.21	0.83		
						-10	3.02	0.83	2.93	0.84	2.86	0.85	2.82	0.86	2.79	0.86	2.74	0.87	2.69	0.88		
						-5	3.52	0.87	3.43	0.88	3.35	0.89	3.31	0.90	3.28	0.90	3.22	0.91	3.16	0.92		
						0	4.02	0.91	3.92	0.92	3.84	0.94	3.80	0.94	3.76	0.95	3.70	0.96	3.64	0.97		
						2	4.22	0.93	4.12	0.94	4.04	0.95	4.00	0.96	3.96	0.96	3.89	0.97	3.83	0.98		
						7	4.62	0.96	4.52	0.97	4.43	0.99	4.40	0.99	4.35	1.00	4.28	1.01	4.21	1.02		
						10	5.02	0.99	4.92	1.00	4.82	1.02	4.78	1.02	4.74	1.03	4.66	1.04	4.60	1.05		
						15	5.52	1.03	5.41	1.05	5.32	1.06	5.27	1.07	5.23	1.07	5.15	1.08	5.08	1.09		

### NOTE

- Cooling capacity is based on 27°CDB / 19°CWB (indoor temperature), 35°CDB (outdoor temperature).
- Heating capacity is based on 20°CDB (indoor temperature), 7°CDB/6°CWB (outdoor temperature).
- The above is the value for connecting with the following indoor units.
  - 2000, 2500, 3500W class: Wall Mounted [except A3050 Better Series]
- Capacities are based on the following conditions:
  - Corresponding refrigerant piping length : 5m / - Level difference : 0m
- The total ability of connected a indoor unit is up to 6.0kW
- It is impossible to connect the indoor unit for one room only.
- This data is reference data for temperature capacity trend.

# 12. Capacity Table

## 12-1. AJ040MCJ2EH/EU

### HEATING

Combination (Capacity Index)				Combination (Total)	Combination (%)	Outdoor Temperature (°C, DB)	Indoor Temperature (°C, DB)															
							14		16		18		20		21		22		24			
							TC(kW)	PI(kW)	TC(kW)	PI(kW)	TC(kW)	PI(kW)	TC(kW)	PI(kW)	TC(kW)	PI(kW)	TC(kW)	PI(kW)	TC(kW)	PI(kW)		
2000				2000	50%	-15	1.37	0.62	1.33	0.63	1.29	0.64	1.28	0.64	1.26	0.64	1.23	0.65	1.21	0.66		
						-10	1.65	0.65	1.60	0.66	1.56	0.67	1.54	0.67	1.52	0.68	1.49	0.69	1.47	0.69		
						-5	1.92	0.68	1.87	0.69	1.83	0.70	1.81	0.71	1.79	0.71	1.75	0.72	1.73	0.73		
						0	2.19	0.72	2.14	0.73	2.09	0.74	2.07	0.74	2.05	0.75	2.02	0.75	1.99	0.76		
						2	2.30	0.73	2.25	0.74	2.20	0.75	2.18	0.75	2.16	0.76	2.12	0.77	2.09	0.77		
						7	2.52	0.75	2.46	0.77	2.42	0.78	2.40	0.78	2.37	0.79	2.33	0.79	2.30	0.80		
						10	2.74	0.78	2.68	0.79	2.63	0.80	2.61	0.81	2.59	0.81	2.54	0.82	2.51	0.83		
2500				2500	63%	-15	1.77	0.68	1.72	0.69	1.67	0.69	1.65	0.70	1.63	0.70	1.59	0.71	1.56	0.72		
						-10	2.13	0.71	2.07	0.72	2.01	0.73	1.99	0.74	1.97	0.74	1.93	0.75	1.89	0.75		
						-5	2.48	0.75	2.42	0.76	2.36	0.77	2.33	0.77	2.31	0.78	2.27	0.78	2.23	0.79		
						0	2.83	0.78	2.76	0.79	2.71	0.80	2.68	0.81	2.65	0.81	2.61	0.82	2.57	0.83		
						2	2.97	0.79	2.90	0.81	2.84	0.82	2.82	0.82	2.79	0.83	2.74	0.84	2.70	0.84		
						7	3.25	0.82	3.18	0.83	3.12	0.85	3.10	0.85	3.06	0.86	3.01	0.87	2.97	0.87		
						10	3.54	0.85	3.46	0.86	3.40	0.87	3.37	0.88	3.34	0.88	3.29	0.89	3.24	0.90		
3500				3500	88%	-15	2.18	0.87	2.11	0.89	2.05	0.90	2.02	0.90	1.99	0.91	1.95	0.92	1.91	0.93		
						-10	2.61	0.92	2.53	0.93	2.47	0.95	2.44	0.95	2.41	0.96	2.36	0.97	2.32	0.97		
						-5	3.04	0.97	2.96	0.98	2.89	0.99	2.86	1.00	2.83	1.00	2.78	1.01	2.73	1.02		
						0	3.47	1.01	3.39	1.03	3.32	1.04	3.28	1.05	3.25	1.05	3.19	1.06	3.14	1.07		
						2	3.64	1.03	3.56	1.04	3.49	1.06	3.45	1.06	3.42	1.07	3.36	1.08	3.31	1.09		
						7	3.99	1.06	3.90	1.08	3.83	1.09	3.80	1.10	3.76	1.11	3.69	1.12	3.64	1.13		
						10	4.33	1.10	4.25	1.12	4.17	1.13	4.13	1.14	4.09	1.15	4.03	1.16	3.97	1.17		
2000	2000			4000	100%	-15	2.52	0.92	2.44	0.94	2.37	0.95	2.34	0.95	2.31	0.96	2.26	0.97	2.21	0.98		
						-10	3.02	0.97	2.93	0.98	2.86	1.00	2.82	1.00	2.79	1.01	2.74	1.02	2.69	1.03		
						-5	3.52	1.02	3.43	1.03	3.35	1.05	3.31	1.05	3.28	1.06	3.22	1.07	3.16	1.08		
						0	4.02	1.07	3.92	1.08	3.84	1.10	3.80	1.10	3.76	1.11	3.70	1.12	3.64	1.13		
						2	4.22	1.08	4.12	1.10	4.04	1.12	4.00	1.12	3.96	1.13	3.89	1.14	3.83	1.15		
						7	4.62	1.12	4.52	1.14	4.43	1.15	4.40	1.16	4.35	1.17	4.28	1.18	4.21	1.19		
						10	5.02	1.16	4.92	1.18	4.82	1.19	4.78	1.20	4.74	1.21	4.66	1.22	4.60	1.23		
2000	2500			4500	113%	-15	2.52	0.92	2.44	0.94	2.37	0.95	2.34	0.95	2.31	0.96	2.26	0.97	2.21	0.98		
						-10	3.02	0.97	2.93	0.98	2.86	1.00	2.82	1.00	2.79	1.01	2.74	1.02	2.69	1.03		
						-5	3.52	1.02	3.43	1.03	3.35	1.05	3.31	1.05	3.28	1.06	3.22	1.07	3.16	1.08		
						0	4.02	1.07	3.92	1.08	3.84	1.10	3.80	1.10	3.76	1.11	3.70	1.12	3.64	1.13		
						2	4.22	1.08	4.12	1.10	4.04	1.12	4.00	1.12	3.96	1.13	3.89	1.14	3.83	1.15		
						7	4.62	1.12	4.52	1.14	4.43	1.15	4.40	1.16	4.35	1.17	4.28	1.18	4.21	1.19		
						10	5.02	1.16	4.92	1.18	4.82	1.19	4.78	1.20	4.74	1.21	4.66	1.22	4.60	1.23		
2000	3500			5500	138%	-15	2.52	0.92	2.44	0.94	2.37	0.95	2.34	0.95	2.31	0.96	2.26	0.97	2.21	0.98		
						-10	3.02	0.97	2.93	0.98	2.86	1.00	2.82	1.00	2.79	1.01	2.74	1.02	2.69	1.03		
						-5	3.52	1.02	3.43	1.03	3.35	1.05	3.31	1.05	3.28	1.06	3.22	1.07	3.16	1.08		
						0	4.02	1.07	3.92	1.08	3.84	1.10	3.80	1.10	3.76	1.11	3.70	1.12	3.64	1.13		
						2	4.22	1.08	4.12	1.10	4.04	1.12	4.00	1.12	3.96	1.13	3.89	1.14	3.83	1.15		
						7	4.62	1.12	4.52	1.14	4.43	1.15	4.40	1.16	4.35	1.17	4.28	1.18	4.21	1.19		
						10	5.02	1.16	4.92	1.18	4.82	1.19	4.78	1.20	4.74	1.21	4.66	1.22	4.60	1.23		
2000				5500	138%	-15	2.52	0.92	2.44	0.94	2.37	0.95	2.34	0.95	2.31	0.96	2.26	0.97	2.21	0.98		
						-10	3.02	0.97	2.93	0.98	2.86	1.00	2.82	1.00	2.79	1.01	2.74	1.02	2.69	1.03		
						-5	3.52	1.02	3.43	1.03	3.35	1.05	3.31	1.05	3.28	1.06	3.22	1.07	3.16	1.08		
						0	4.02	1.07	3.92	1.08	3.84	1.10	3.80	1.10	3.76	1.11	3.70	1.12	3.64	1.13		
						2	4.22	1.08	4.12	1.10	4.04	1.12	4.00	1.12	3.96	1.13	3.89	1.14	3.83	1.15		
						7	4.62	1.12	4.52	1.14	4.43	1.15	4.40	1.16	4.35	1.17	4.28	1.18	4.21	1.19		
						10	5.02	1.16	4.92	1.18	4.82	1.19	4.78	1.20	4.74	1.21	4.66	1.22	4.60	1.23		

# 12. Capacity Table

## 12-1. AJ040MCJ2EH/EU

### HEATING

Combination (Capacity Index)				Combination (Total)	Combination (%)	Outdoor Temperature (°C, DB)	Indoor Temperature (°C, DB)															
							14		16		18		20		21		22		24			
							TC(kW)	PI(kW)	TC(kW)	PI(kW)	TC(kW)	PI(kW)	TC(kW)	PI(kW)	TC(kW)	PI(kW)	TC(kW)	PI(kW)	TC(kW)	PI(kW)		
2500	2500			5000	125%	-15	2.52	0.92	2.44	0.94	2.37	0.95	2.34	0.95	2.31	0.96	2.26	0.97	2.21	0.98		
						-10	3.02	0.97	2.93	0.98	2.86	1.00	2.82	1.00	2.79	1.01	2.74	1.02	2.69	1.03		
						-5	3.52	1.02	3.43	1.03	3.35	1.05	3.31	1.05	3.28	1.06	3.22	1.07	3.16	1.08		
						0	4.02	1.07	3.92	1.08	3.84	1.10	3.80	1.10	3.76	1.11	3.70	1.12	3.64	1.13		
						2	4.22	1.08	4.12	1.10	4.04	1.12	4.00	1.12	3.96	1.13	3.89	1.14	3.83	1.15		
						7	4.62	1.12	4.52	1.14	4.43	1.15	4.40	1.16	4.35	1.17	4.28	1.18	4.21	1.19		
						10	5.02	1.16	4.92	1.18	4.82	1.19	4.78	1.20	4.74	1.21	4.66	1.22	4.60	1.23		
						15	5.52	1.21	5.41	1.22	5.32	1.24	5.27	1.25	5.23	1.26	5.15	1.27	5.08	1.28		
2500	3500			6000	150%	-15	2.52	0.79	2.44	0.80	2.37	0.81	2.34	0.81	2.31	0.82	2.26	0.83	2.21	0.83		
						-10	3.02	0.83	2.93	0.84	2.86	0.85	2.82	0.86	2.79	0.86	2.74	0.87	2.69	0.88		
						-5	3.52	0.87	3.43	0.88	3.35	0.89	3.31	0.90	3.28	0.90	3.22	0.91	3.16	0.92		
						0	4.02	0.91	3.92	0.92	3.84	0.94	3.80	0.94	3.76	0.95	3.70	0.96	3.64	0.97		
						2	4.22	0.93	4.12	0.94	4.04	0.95	4.00	0.96	3.96	0.96	3.89	0.97	3.83	0.98		
						7	4.62	0.96	4.52	0.97	4.43	0.99	4.40	0.99	4.35	1.00	4.28	1.01	4.21	1.02		
						10	5.02	0.99	4.92	1.00	4.82	1.02	4.78	1.02	4.74	1.03	4.66	1.04	4.60	1.05		
						15	5.52	1.03	5.41	1.05	5.32	1.06	5.27	1.07	5.23	1.07	5.15	1.08	5.08	1.09		

### NOTE

- Cooling capacity is based on 27°CDB / 19°CWB (indoor temperature), 35°CDB (outdoor temperature).
- Heating capacity is based on 20°CDB (indoor temperature), 7°CDB/6°CWB (outdoor temperature).
- The above is the value for connecting with the following indoor units.
  - 2000, 2500, 3500W class: Wall Mounted [only for A3050 Better Series]
- Capacities are based on the following conditions:
  - Corresponding refrigerant piping length : 5m / - Level difference : 0m
- The total ability of connected a indoor unit is up to 6.0kW
- It is impossible to connect the indoor unit for one room only.
- This data is reference data for temperature capacity trend.

# 12. Capacity Table

## 12-2. AJ050MCJ2EH/EU

### COOLING

Combination (Capacity Index)				Combination (Total)	Combination (%)	Outdoor Temperature (°C, DB)	Indoor Temperature (°C, WB)															
							14		16		18		19		20		22		24			
							TC(kW)	PI(kW)	TC(kW)	PI(kW)	TC(kW)	PI(kW)	TC(kW)	PI(kW)	TC(kW)	PI(kW)	TC(kW)	PI(kW)	TC(kW)	PI(kW)		
2000				2000	38%	10	1.92	0.42	2.78	0.47	2.90	0.51	2.96	0.53	3.02	0.54	3.13	0.57	3.25	0.59		
						12	1.92	0.44	2.74	0.49	2.85	0.53	2.91	0.54	2.97	0.56	3.09	0.58	3.21	0.60		
						14	1.92	0.46	2.69	0.51	2.81	0.54	2.87	0.56	2.92	0.57	3.04	0.60	3.16	0.61		
						16	1.92	0.48	2.65	0.52	2.76	0.56	2.82	0.57	2.88	0.59	3.00	0.61	3.11	0.63		
						18	1.92	0.50	2.60	0.54	2.72	0.58	2.78	0.59	2.83	0.60	2.95	0.62	3.07	0.64		
						20	1.92	0.52	2.56	0.56	2.67	0.59	2.73	0.61	2.79	0.62	2.90	0.64	3.02	0.65		
						21	1.92	0.53	2.54	0.57	2.65	0.60	2.71	0.62	2.77	0.63	2.88	0.65	3.00	0.66		
						23	1.92	0.55	2.50	0.59	2.61	0.62	2.66	0.63	2.72	0.64	2.83	0.66	2.95	0.67		
						25	1.92	0.57	2.45	0.61	2.56	0.64	2.62	0.65	2.68	0.66	2.79	0.67	2.90	0.68		
						27	1.92	0.59	2.41	0.63	2.52	0.66	2.58	0.67	2.63	0.68	2.74	0.69	2.86	0.70		
						29	1.92	0.62	2.37	0.65	2.48	0.67	2.53	0.68	2.59	0.69	2.70	0.71	2.81	0.71		
						31	1.92	0.64	2.32	0.67	2.43	0.69	2.49	0.70	2.54	0.71	2.65	0.72	2.76	0.72		
						33	1.92	0.66	2.28	0.69	2.39	0.71	2.44	0.72	2.50	0.73	2.61	0.74	2.72	0.74		
						35	1.92	0.68	2.24	0.71	2.34	0.73	2.40	0.73	2.45	0.75	2.56	0.75	2.67	0.75		
						37	1.92	0.71	2.19	0.73	2.30	0.75	2.36	0.76	2.41	0.76	2.52	0.77	2.63	0.77		
						39	1.92	0.73	2.15	0.75	2.26	0.77	2.31	0.78	2.37	0.78	2.47	0.79	2.58	0.78		
42	1.90	0.76	2.09	0.79	2.19	0.80	2.25	0.81	2.30	0.81	2.41	0.81	2.51	0.81								
44	1.80	0.79	2.05	0.81	2.15	0.82	2.20	0.83	2.26	0.83	2.36	0.83	2.47	0.82								
46	1.75	0.81	2.00	0.83	2.11	0.84	2.16	0.85	2.21	0.85	2.32	0.85	2.42	0.84								
2500				2500	48%	10	2.00	0.46	2.90	0.52	3.02	0.56	3.08	0.58	3.14	0.60	3.26	0.63	3.39	0.65		
						12	2.00	0.48	2.85	0.53	2.97	0.58	3.03	0.60	3.09	0.61	3.22	0.64	3.34	0.66		
						14	2.00	0.51	2.80	0.55	2.93	0.60	2.99	0.61	3.05	0.63	3.17	0.65	3.29	0.67		
						16	2.00	0.53	2.76	0.57	2.88	0.61	2.94	0.63	3.00	0.65	3.12	0.67	3.24	0.69		
						18	2.00	0.55	2.71	0.59	2.83	0.63	2.89	0.65	2.95	0.66	3.07	0.68	3.19	0.70		
						20	2.00	0.57	2.67	0.61	2.79	0.65	2.85	0.67	2.90	0.68	3.02	0.70	3.14	0.71		
						21	2.00	0.58	2.64	0.62	2.76	0.66	2.82	0.67	2.88	0.69	3.00	0.71	3.12	0.72		
						23	2.00	0.61	2.60	0.65	2.72	0.68	2.78	0.69	2.83	0.71	2.95	0.72	3.07	0.73		
						25	2.00	0.63	2.55	0.67	2.67	0.70	2.73	0.71	2.79	0.72	2.91	0.74	3.02	0.75		
						27	2.00	0.65	2.51	0.69	2.62	0.72	2.68	0.73	2.74	0.74	2.86	0.76	2.98	0.76		
						29	2.00	0.68	2.46	0.71	2.58	0.74	2.64	0.75	2.69	0.76	2.81	0.77	2.93	0.78		
						31	2.00	0.70	2.42	0.73	2.53	0.76	2.59	0.77	2.65	0.78	2.76	0.79	2.88	0.79		
						33	2.00	0.72	2.37	0.76	2.49	0.78	2.54	0.79	2.60	0.80	2.72	0.81	2.83	0.81		
						35	2.00	0.75	2.33	0.78	2.44	0.80	2.50	0.80	2.56	0.82	2.67	0.83	2.78	0.83		
						37	2.00	0.77	2.29	0.80	2.40	0.82	2.45	0.83	2.51	0.84	2.62	0.84	2.74	0.84		
						39	2.00	0.80	2.24	0.83	2.35	0.85	2.41	0.85	2.46	0.86	2.58	0.86	2.69	0.86		
42	1.98	0.84	2.18	0.86	2.29	0.88	2.34	0.88	2.40	0.89	2.51	0.89	2.62	0.88								
44	1.88	0.86	2.13	0.89	2.24	0.90	2.30	0.91	2.35	0.91	2.46	0.91	2.57	0.90								
46	1.83	0.89	2.09	0.91	2.20	0.93	2.25	0.93	2.30	0.93	2.41	0.93	2.53	0.92								

# 12. Capacity Table

## 12-2. AJ050MCJ2EH/EU

### COOLING

Combination (Capacity Index)				Combination (Total)	Combination (%)	Outdoor Temperature (°C, DB)	Indoor Temperature (°C, WB)															
							14		16		18		19		20		22		24			
							TC(kW)	PI(kW)	TC(kW)	PI(kW)	TC(kW)	PI(kW)	TC(kW)	PI(kW)	TC(kW)	PI(kW)	TC(kW)	PI(kW)	TC(kW)	PI(kW)		
3500				3500	67%	10	2.80	0.63	4.06	0.70	4.23	0.76	4.31	0.79	4.40	0.81	4.57	0.85	4.74	0.88		
						12	2.80	0.66	3.99	0.73	4.16	0.79	4.25	0.81	4.33	0.83	4.50	0.87	4.68	0.90		
						14	2.80	0.69	3.93	0.75	4.10	0.81	4.18	0.83	4.26	0.86	4.44	0.89	4.61	0.92		
						16	2.80	0.72	3.86	0.78	4.03	0.84	4.11	0.86	4.20	0.88	4.37	0.91	4.54	0.93		
						18	2.80	0.75	3.80	0.81	3.96	0.86	4.05	0.88	4.13	0.90	4.30	0.93	4.47	0.95		
						20	2.80	0.78	3.73	0.84	3.90	0.89	3.98	0.91	4.07	0.92	4.23	0.95	4.40	0.97		
						21	2.80	0.79	3.70	0.85	3.87	0.90	3.95	0.92	4.03	0.94	4.20	0.96	4.37	0.98		
						23	2.80	0.82	3.64	0.88	3.80	0.93	3.89	0.94	3.97	0.96	4.13	0.99	4.30	1.00		
						25	2.80	0.86	3.58	0.91	3.74	0.95	3.82	0.97	3.90	0.99	4.07	1.01	4.23	1.02		
						27	2.80	0.89	3.51	0.94	3.67	0.98	3.76	1.00	3.84	1.01	4.00	1.03	4.17	1.04		
						29	2.80	0.92	3.45	0.97	3.61	1.01	3.69	1.02	3.77	1.04	3.93	1.05	4.10	1.06		
						31	2.80	0.95	3.39	1.00	3.55	1.04	3.63	1.05	3.71	1.06	3.87	1.08	4.03	1.08		
						33	2.80	0.99	3.32	1.03	3.48	1.06	3.56	1.08	3.64	1.09	3.80	1.10	3.97	1.10		
						35	2.80	1.02	3.26	1.06	3.42	1.09	3.50	1.09	3.58	1.11	3.74	1.12	3.90	1.12		
						37	2.80	1.05	3.20	1.09	3.36	1.12	3.43	1.13	3.51	1.14	3.67	1.15	3.83	1.15		
						39	2.80	1.09	3.14	1.13	3.29	1.15	3.37	1.16	3.45	1.17	3.61	1.17	3.77	1.17		
42	2.77	1.14	3.05	1.17	3.20	1.20	3.28	1.21	3.35	1.21	3.51	1.21	3.67	1.21								
44	2.63	1.18	2.98	1.21	3.14	1.23	3.21	1.24	3.29	1.24	3.45	1.24	3.60	1.23								
46	2.56	1.21	2.92	1.24	3.07	1.26	3.15	1.27	3.23	1.27	3.38	1.27	3.54	1.25								
5000				5000	96%	10	4.00	0.93	5.79	1.03	6.04	1.12	6.16	1.16	6.28	1.19	6.53	1.25	6.78	1.30		
						12	4.00	0.97	5.70	1.07	5.94	1.15	6.07	1.19	6.19	1.23	6.43	1.28	6.68	1.32		
						14	4.00	1.01	5.61	1.11	5.85	1.19	5.97	1.23	6.09	1.26	6.34	1.31	6.58	1.35		
						16	4.00	1.05	5.52	1.15	5.76	1.23	5.88	1.26	6.00	1.29	6.24	1.34	6.48	1.37		
						18	4.00	1.10	5.43	1.19	5.66	1.26	5.78	1.30	5.90	1.32	6.14	1.37	6.39	1.40		
						20	4.00	1.14	5.34	1.23	5.57	1.30	5.69	1.33	5.81	1.36	6.05	1.40	6.29	1.43		
						21	4.00	1.16	5.29	1.25	5.53	1.32	5.64	1.35	5.76	1.38	6.00	1.41	6.24	1.44		
						23	4.00	1.21	5.20	1.29	5.43	1.36	5.55	1.39	5.67	1.41	5.91	1.45	6.14	1.47		
						25	4.00	1.26	5.11	1.33	5.34	1.40	5.46	1.42	5.57	1.45	5.81	1.48	6.05	1.50		
						27	4.00	1.30	5.02	1.38	5.25	1.44	5.37	1.46	5.48	1.48	5.72	1.51	5.95	1.53		
						29	4.00	1.35	4.93	1.42	5.16	1.48	5.27	1.50	5.39	1.52	5.62	1.55	5.86	1.56		
						31	4.00	1.40	4.84	1.47	5.07	1.52	5.18	1.54	5.30	1.56	5.53	1.58	5.76	1.59		
						33	4.00	1.45	4.75	1.51	4.98	1.56	5.09	1.58	5.20	1.60	5.43	1.61	5.66	1.62		
						35	4.00	1.50	4.66	1.56	4.89	1.60	5.00	1.60	5.11	1.64	5.34	1.65	5.57	1.65		
						37	4.00	1.55	4.57	1.61	4.79	1.65	4.91	1.66	5.02	1.67	5.25	1.69	5.47	1.68		
						39	4.00	1.60	4.48	1.65	4.70	1.69	4.82	1.71	4.93	1.72	5.15	1.72	5.38	1.72		
42	3.95	1.68	4.35	1.72	4.57	1.76	4.68	1.77	4.79	1.78	5.01	1.78	5.24	1.77								
44	3.75	1.73	4.26	1.77	4.48	1.80	4.59	1.81	4.70	1.82	4.92	1.82	5.14	1.80								
46	3.65	1.78	4.18	1.82	4.39	1.85	4.50	1.86	4.61	1.86	4.83	1.86	5.05	1.84								

# 12. Capacity Table

## 12-2. AJ050MCJ2EH/EU

### COOLING

Combination (Capacity Index)				Combination (Total)	Combination (%)	Outdoor Temperature (°C, DB)	Indoor Temperature (°C, WB)													
							14		16		18		19		20		22		24	
							TC(kW)	PI(kW)	TC(kW)	PI(kW)	TC(kW)	PI(kW)	TC(kW)	PI(kW)	TC(kW)	PI(kW)	TC(kW)	PI(kW)	TC(kW)	PI(kW)
2000	2000			4000	77%	10	3.53	0.87	4.99	0.90	5.08	0.92	5.14	0.93	5.20	0.94	5.35	0.96	5.52	0.98
						12	3.53	0.90	4.85	0.92	4.95	0.94	5.01	0.95	5.08	0.96	5.23	0.98	5.41	1.00
						14	3.53	0.92	4.72	0.94	4.83	0.96	4.89	0.97	4.96	0.98	5.12	1.00	5.31	1.02
						16	3.53	0.94	4.60	0.96	4.71	0.99	4.78	1.00	4.85	1.01	5.02	1.03	5.21	1.04
						18	3.53	0.97	4.48	0.99	4.60	1.01	4.67	1.02	4.75	1.03	4.92	1.05	5.12	1.07
						20	3.53	0.99	4.36	1.01	4.49	1.03	4.57	1.04	4.65	1.05	4.83	1.07	5.03	1.09
						21	3.53	1.00	4.31	1.03	4.44	1.05	4.52	1.06	4.60	1.07	4.78	1.09	4.99	1.10
						23	3.53	1.03	4.20	1.05	4.34	1.07	4.42	1.08	4.51	1.09	4.70	1.11	4.91	1.13
						25	3.53	1.06	4.10	1.08	4.25	1.10	4.33	1.11	4.42	1.12	4.62	1.14	4.84	1.16
						27	3.53	1.08	4.01	1.10	4.16	1.12	4.25	1.13	4.34	1.14	4.55	1.16	4.78	1.18
						29	3.53	1.11	3.92	1.13	4.08	1.15	4.17	1.16	4.27	1.17	4.48	1.19	4.72	1.21
						31	3.53	1.14	3.84	1.16	4.01	1.18	4.10	1.19	4.20	1.20	4.42	1.22	4.66	1.24
						33	3.53	1.17	3.76	1.19	3.94	1.21	4.03	1.22	4.13	1.23	4.36	1.25	4.61	1.27
						35	3.53	1.20	3.69	1.22	3.87	1.24	4.00	1.25	4.08	1.26	4.31	1.28	4.57	1.29
						37	3.53	1.23	3.62	1.25	3.81	1.27	3.91	1.28	4.02	1.29	4.26	1.31	4.53	1.32
						39	3.53	1.26	3.56	1.28	3.76	1.30	3.86	1.31	3.98	1.32	4.22	1.34	4.49	1.35
42	3.53	1.31	3.48	1.33	3.69	1.35	3.80	1.36	3.92	1.37	4.17	1.38	4.46	1.40						
44	3.53	1.34	3.44	1.36	3.65	1.38	3.76	1.39	3.89	1.40	4.15	1.42	4.44	1.43						
46	3.53	1.37	3.39	1.39	3.61	1.41	3.73	1.42	3.86	1.43	4.13	1.45	4.42	1.47						
2000	2500			4500	87%	10	4.07	1.00	5.73	1.03	5.84	1.05	5.91	1.07	5.98	1.08	6.15	1.10	6.34	1.12
						12	4.07	1.03	5.58	1.06	5.69	1.08	5.76	1.09	5.84	1.10	6.02	1.13	6.22	1.15
						14	4.07	1.06	5.43	1.08	5.55	1.11	5.63	1.12	5.71	1.13	5.89	1.15	6.10	1.17
						16	4.07	1.08	5.29	1.11	5.42	1.13	5.50	1.14	5.58	1.16	5.77	1.18	5.99	1.20
						18	4.07	1.11	5.15	1.14	5.29	1.16	5.37	1.17	5.46	1.18	5.66	1.21	5.89	1.23
						20	4.07	1.14	5.02	1.16	5.17	1.19	5.25	1.20	5.34	1.21	5.55	1.23	5.79	1.25
						21	4.07	1.15	4.96	1.18	5.11	1.20	5.19	1.21	5.29	1.22	5.50	1.25	5.74	1.27
						23	4.07	1.18	4.83	1.21	4.99	1.23	5.09	1.24	5.18	1.25	5.40	1.28	5.65	1.30
						25	4.07	1.21	4.72	1.24	4.89	1.26	4.98	1.27	5.09	1.28	5.31	1.31	5.57	1.33
						27	4.07	1.24	4.61	1.27	4.79	1.29	4.89	1.30	4.99	1.31	5.23	1.34	5.49	1.36
						29	4.07	1.27	4.51	1.30	4.69	1.32	4.80	1.33	4.91	1.35	5.15	1.37	5.42	1.39
						31	4.07	1.31	4.42	1.33	4.61	1.36	4.71	1.37	4.83	1.38	5.08	1.40	5.36	1.42
						33	4.07	1.34	4.33	1.36	4.53	1.39	4.64	1.40	4.76	1.41	5.01	1.43	5.30	1.45
						35	4.07	1.37	4.24	1.40	4.45	1.42	4.60	1.43	4.69	1.44	4.96	1.47	5.25	1.49
						37	4.07	1.41	4.17	1.43	4.38	1.46	4.50	1.47	4.63	1.48	4.90	1.50	5.21	1.52
						39	4.07	1.44	4.10	1.47	4.32	1.49	4.44	1.50	4.57	1.51	4.86	1.54	5.17	1.56
42	4.07	1.50	4.01	1.52	4.24	1.55	4.37	1.56	4.51	1.57	4.80	1.59	5.12	1.61						
44	4.07	1.54	3.95	1.56	4.20	1.58	4.33	1.59	4.47	1.61	4.77	1.63	5.10	1.65						
46	4.07	1.57	3.90	1.60	4.16	1.62	4.29	1.63	4.44	1.64	4.75	1.66	5.09	1.68						

# 12. Capacity Table

## 12-2. AJ050MCJ2EH/EU

### COOLING

Combination (Capacity Index)				Combination (Total)	Combination (%)	Outdoor Temperature (°C, DB)	Indoor Temperature (°C, WB)													
							14		16		18		19		20		22		24	
							TC(kW)	PI(kW)	TC(kW)	PI(kW)	TC(kW)	PI(kW)	TC(kW)	PI(kW)	TC(kW)	PI(kW)	TC(kW)	PI(kW)	TC(kW)	PI(kW)
2000	3500			5500	106%	10	4.42	1.05	6.23	1.07	6.35	1.10	6.42	1.11	6.50	1.12	6.68	1.15	6.90	1.17
						12	4.42	1.07	6.06	1.10	6.19	1.12	6.27	1.14	6.35	1.15	6.54	1.17	6.76	1.20
						14	4.42	1.10	5.90	1.13	6.04	1.15	6.12	1.16	6.20	1.18	6.40	1.20	6.63	1.22
						16	4.42	1.13	5.75	1.15	5.89	1.18	5.97	1.19	6.06	1.20	6.27	1.23	6.51	1.25
						18	4.42	1.16	5.60	1.18	5.75	1.21	5.84	1.22	5.93	1.23	6.15	1.26	6.40	1.28
						20	4.42	1.19	5.45	1.21	5.62	1.24	5.71	1.25	5.81	1.26	6.03	1.28	6.29	1.31
						21	4.42	1.20	5.39	1.23	5.55	1.25	5.65	1.26	5.75	1.28	5.98	1.30	6.24	1.32
						23	4.42	1.23	5.25	1.26	5.43	1.28	5.53	1.29	5.63	1.31	5.87	1.33	6.14	1.35
						25	4.42	1.26	5.13	1.29	5.31	1.31	5.42	1.33	5.53	1.34	5.77	1.36	6.05	1.38
						27	4.42	1.30	5.01	1.32	5.20	1.35	5.31	1.36	5.43	1.37	5.68	1.39	5.97	1.41
						29	4.42	1.33	4.90	1.35	5.10	1.38	5.21	1.39	5.33	1.40	5.60	1.43	5.89	1.45
						31	4.42	1.36	4.80	1.39	5.01	1.41	5.12	1.42	5.25	1.44	5.52	1.46	5.82	1.48
						33	4.42	1.40	4.70	1.42	4.92	1.45	5.04	1.46	5.17	1.47	5.45	1.49	5.76	1.51
						35	4.42	1.43	4.61	1.46	4.84	1.48	5.00	1.49	5.10	1.51	5.39	1.53	5.71	1.55
						37	4.42	1.47	4.53	1.49	4.76	1.52	4.89	1.53	5.03	1.54	5.33	1.56	5.66	1.59
						39	4.42	1.51	4.45	1.53	4.70	1.55	4.83	1.57	4.97	1.58	5.28	1.60	5.62	1.62
42	4.42	1.56	4.35	1.59	4.61	1.61	4.75	1.62	4.90	1.63	5.22	1.66	5.57	1.68						
44	4.42	1.60	4.30	1.63	4.56	1.65	4.70	1.66	4.86	1.67	5.18	1.70	5.55	1.72						
46	4.42	1.64	4.24	1.67	4.52	1.69	4.67	1.70	4.82	1.71	5.16	1.73	5.53	1.76						
2000	5000			7000	135%	10	4.42	1.02	6.23	1.04	6.35	1.07	6.42	1.08	6.50	1.09	6.68	1.12	6.90	1.14
						12	4.42	1.04	6.06	1.07	6.19	1.09	6.27	1.11	6.35	1.12	6.54	1.14	6.76	1.16
						14	4.42	1.07	5.90	1.10	6.04	1.12	6.12	1.13	6.20	1.14	6.40	1.17	6.63	1.19
						16	4.42	1.10	5.75	1.12	5.89	1.15	5.97	1.16	6.06	1.17	6.27	1.19	6.51	1.22
						18	4.42	1.13	5.60	1.15	5.75	1.18	5.84	1.19	5.93	1.20	6.15	1.22	6.40	1.24
						20	4.42	1.15	5.45	1.18	5.62	1.20	5.71	1.22	5.81	1.23	6.03	1.25	6.29	1.27
						21	4.42	1.17	5.39	1.19	5.55	1.22	5.65	1.23	5.75	1.24	5.98	1.26	6.24	1.29
						23	4.42	1.20	5.25	1.22	5.43	1.25	5.53	1.26	5.63	1.27	5.87	1.29	6.14	1.32
						25	4.42	1.23	5.13	1.25	5.31	1.28	5.42	1.29	5.53	1.30	5.77	1.32	6.05	1.35
						27	4.42	1.26	5.01	1.29	5.20	1.31	5.31	1.32	5.43	1.33	5.68	1.36	5.97	1.38
						29	4.42	1.29	4.90	1.32	5.10	1.34	5.21	1.35	5.33	1.36	5.60	1.39	5.89	1.41
						31	4.42	1.33	4.80	1.35	5.01	1.37	5.12	1.39	5.25	1.40	5.52	1.42	5.82	1.44
						33	4.42	1.36	4.70	1.38	4.92	1.41	5.04	1.42	5.17	1.43	5.45	1.45	5.76	1.47
						35	4.42	1.39	4.61	1.42	4.84	1.44	5.00	1.45	5.10	1.46	5.39	1.49	5.71	1.51
						37	4.42	1.43	4.53	1.45	4.76	1.48	4.89	1.49	5.03	1.50	5.33	1.52	5.66	1.54
						39	4.42	1.46	4.45	1.49	4.70	1.51	4.83	1.52	4.97	1.54	5.28	1.56	5.62	1.58
42	4.42	1.52	4.35	1.54	4.61	1.57	4.75	1.58	4.90	1.59	5.22	1.61	5.57	1.63						
44	4.42	1.56	4.30	1.58	4.56	1.61	4.70	1.62	4.86	1.63	5.18	1.65	5.55	1.67						
46	4.42	1.60	4.24	1.62	4.52	1.64	4.67	1.66	4.82	1.67	5.16	1.69	5.53	1.71						

# 12. Capacity Table

## 12-2. AJ050MCJ2EH/EU

### COOLING

Combination (Capacity Index)				Combination (Total)	Combination (%)	Outdoor Temperature (°C, DB)	Indoor Temperature (°C, WB)													
							14		16		18		19		20		22		24	
							TC(kW)	PI(kW)	TC(kW)	PI(kW)	TC(kW)	PI(kW)	TC(kW)	PI(kW)	TC(kW)	PI(kW)	TC(kW)	PI(kW)	TC(kW)	PI(kW)
2500	2500			5000	96%	10	4.42	1.05	6.23	1.08	6.35	1.11	6.42	1.12	6.50	1.13	6.68	1.16	6.90	1.18
						12	4.42	1.08	6.06	1.11	6.19	1.13	6.27	1.14	6.35	1.16	6.54	1.18	6.76	1.20
						14	4.42	1.11	5.90	1.13	6.04	1.16	6.12	1.17	6.20	1.18	6.40	1.21	6.63	1.23
						16	4.42	1.14	5.75	1.16	5.89	1.19	5.97	1.20	6.06	1.21	6.27	1.24	6.51	1.26
						18	4.42	1.16	5.60	1.19	5.75	1.22	5.84	1.23	5.93	1.24	6.15	1.26	6.40	1.29
						20	4.42	1.19	5.45	1.22	5.62	1.25	5.71	1.26	5.81	1.27	6.03	1.29	6.29	1.32
						21	4.42	1.21	5.39	1.24	5.55	1.26	5.65	1.27	5.75	1.28	5.98	1.31	6.24	1.33
						23	4.42	1.24	5.25	1.27	5.43	1.29	5.53	1.30	5.63	1.32	5.87	1.34	6.14	1.36
						25	4.42	1.27	5.13	1.30	5.31	1.32	5.42	1.33	5.53	1.35	5.77	1.37	6.05	1.39
						27	4.42	1.30	5.01	1.33	5.20	1.35	5.31	1.37	5.43	1.38	5.68	1.40	5.97	1.42
						29	4.42	1.34	4.90	1.36	5.10	1.39	5.21	1.40	5.33	1.41	5.60	1.43	5.89	1.46
						31	4.42	1.37	4.80	1.40	5.01	1.42	5.12	1.43	5.25	1.45	5.52	1.47	5.82	1.49
						33	4.42	1.41	4.70	1.43	4.92	1.46	5.04	1.47	5.17	1.48	5.45	1.50	5.76	1.52
						35	4.42	1.44	4.61	1.47	4.84	1.49	5.00	1.50	5.10	1.52	5.39	1.54	5.71	1.56
						37	4.42	1.48	4.53	1.50	4.76	1.53	4.89	1.54	5.03	1.55	5.33	1.57	5.66	1.60
						39	4.42	1.52	4.45	1.54	4.70	1.56	4.83	1.58	4.97	1.59	5.28	1.61	5.62	1.63
42	4.42	1.57	4.35	1.60	4.61	1.62	4.75	1.63	4.90	1.65	5.22	1.67	5.57	1.69						
44	4.42	1.61	4.30	1.64	4.56	1.66	4.70	1.67	4.86	1.68	5.18	1.71	5.55	1.73						
46	4.42	1.65	4.24	1.68	4.52	1.70	4.67	1.71	4.82	1.72	5.16	1.75	5.53	1.77						
2500	3500			6000	115%	10	4.42	1.05	6.23	1.08	6.35	1.11	6.42	1.12	6.50	1.13	6.68	1.16	6.90	1.18
						12	4.42	1.08	6.06	1.11	6.19	1.13	6.27	1.14	6.35	1.16	6.54	1.18	6.76	1.20
						14	4.42	1.11	5.90	1.13	6.04	1.16	6.12	1.17	6.20	1.18	6.40	1.21	6.63	1.23
						16	4.42	1.14	5.75	1.16	5.89	1.19	5.97	1.20	6.06	1.21	6.27	1.24	6.51	1.26
						18	4.42	1.16	5.60	1.19	5.75	1.22	5.84	1.23	5.93	1.24	6.15	1.26	6.40	1.29
						20	4.42	1.19	5.45	1.22	5.62	1.25	5.71	1.26	5.81	1.27	6.03	1.29	6.29	1.32
						21	4.42	1.21	5.39	1.24	5.55	1.26	5.65	1.27	5.75	1.28	5.98	1.31	6.24	1.33
						23	4.42	1.24	5.25	1.27	5.43	1.29	5.53	1.30	5.63	1.32	5.87	1.34	6.14	1.36
						25	4.42	1.27	5.13	1.30	5.31	1.32	5.42	1.33	5.53	1.35	5.77	1.37	6.05	1.39
						27	4.42	1.30	5.01	1.33	5.20	1.35	5.31	1.37	5.43	1.38	5.68	1.40	5.97	1.42
						29	4.42	1.34	4.90	1.36	5.10	1.39	5.21	1.40	5.33	1.41	5.60	1.43	5.89	1.46
						31	4.42	1.37	4.80	1.40	5.01	1.42	5.12	1.43	5.25	1.45	5.52	1.47	5.82	1.49
						33	4.42	1.41	4.70	1.43	4.92	1.46	5.04	1.47	5.17	1.48	5.45	1.50	5.76	1.52
						35	4.42	1.44	4.61	1.47	4.84	1.49	5.00	1.50	5.10	1.52	5.39	1.54	5.71	1.56
						37	4.42	1.48	4.53	1.50	4.76	1.53	4.89	1.54	5.03	1.55	5.33	1.57	5.66	1.60
						39	4.42	1.52	4.45	1.54	4.70	1.56	4.83	1.58	4.97	1.59	5.28	1.61	5.62	1.63
42	4.42	1.57	4.35	1.60	4.61	1.62	4.75	1.63	4.90	1.65	5.22	1.67	5.57	1.69						
44	4.42	1.61	4.30	1.64	4.56	1.66	4.70	1.67	4.86	1.68	5.18	1.71	5.55	1.73						
46	4.42	1.65	4.24	1.68	4.52	1.70	4.67	1.71	4.82	1.72	5.16	1.75	5.53	1.77						



# 12. Capacity Table

## 12-2. AJ050MCJ2EH/EU

### COOLING

Combination (Capacity Index)				Combination (Total)	Combination (%)	Outdoor Temperature (°C, DB)	Indoor Temperature (°C, WB)													
							14		16		18		19		20		22		24	
							TC(kW)	PI(kW)	TC(kW)	PI(kW)	TC(kW)	PI(kW)	TC(kW)	PI(kW)	TC(kW)	PI(kW)	TC(kW)	PI(kW)	TC(kW)	PI(kW)
2500	5000			7500	144%	10	4.42	1.02	6.23	1.04	6.35	1.07	6.42	1.08	6.50	1.09	6.68	1.12	6.90	1.14
						12	4.42	1.04	6.06	1.07	6.19	1.09	6.27	1.11	6.35	1.12	6.54	1.14	6.76	1.16
						14	4.42	1.07	5.90	1.10	6.04	1.12	6.12	1.13	6.20	1.14	6.40	1.17	6.63	1.19
						16	4.42	1.10	5.75	1.12	5.89	1.15	5.97	1.16	6.06	1.17	6.27	1.19	6.51	1.22
						18	4.42	1.13	5.60	1.15	5.75	1.18	5.84	1.19	5.93	1.20	6.15	1.22	6.40	1.24
						20	4.42	1.15	5.45	1.18	5.62	1.20	5.71	1.22	5.81	1.23	6.03	1.25	6.29	1.27
						21	4.42	1.17	5.39	1.19	5.55	1.22	5.65	1.23	5.75	1.24	5.98	1.26	6.24	1.29
						23	4.42	1.20	5.25	1.22	5.43	1.25	5.53	1.26	5.63	1.27	5.87	1.29	6.14	1.32
						25	4.42	1.23	5.13	1.25	5.31	1.28	5.42	1.29	5.53	1.30	5.77	1.32	6.05	1.35
						27	4.42	1.26	5.01	1.29	5.20	1.31	5.31	1.32	5.43	1.33	5.68	1.36	5.97	1.38
						29	4.42	1.29	4.90	1.32	5.10	1.34	5.21	1.35	5.33	1.36	5.60	1.39	5.89	1.41
						31	4.42	1.33	4.80	1.35	5.01	1.37	5.12	1.39	5.25	1.40	5.52	1.42	5.82	1.44
						33	4.42	1.36	4.70	1.38	4.92	1.41	5.04	1.42	5.17	1.43	5.45	1.45	5.76	1.47
						35	4.42	1.39	4.61	1.42	4.84	1.44	5.00	1.45	5.10	1.46	5.39	1.49	5.71	1.51
						37	4.42	1.43	4.53	1.45	4.76	1.48	4.89	1.49	5.03	1.50	5.33	1.52	5.66	1.54
						39	4.42	1.46	4.45	1.49	4.70	1.51	4.83	1.52	4.97	1.54	5.28	1.56	5.62	1.58
42	4.42	1.52	4.35	1.54	4.61	1.57	4.75	1.58	4.90	1.59	5.22	1.61	5.57	1.63						
44	4.42	1.56	4.30	1.58	4.56	1.61	4.70	1.62	4.86	1.63	5.18	1.65	5.55	1.67						
46	4.42	1.60	4.24	1.62	4.52	1.64	4.67	1.66	4.82	1.67	5.16	1.69	5.53	1.71						
3500	3500			7000	135%	10	4.42	1.05	6.23	1.08	6.35	1.11	6.42	1.12	6.50	1.13	6.68	1.16	6.90	1.18
						12	4.42	1.08	6.06	1.11	6.19	1.13	6.27	1.14	6.35	1.16	6.54	1.18	6.76	1.20
						14	4.42	1.11	5.90	1.13	6.04	1.16	6.12	1.17	6.20	1.18	6.40	1.21	6.63	1.23
						16	4.42	1.14	5.75	1.16	5.89	1.19	5.97	1.20	6.06	1.21	6.27	1.24	6.51	1.26
						18	4.42	1.16	5.60	1.19	5.75	1.22	5.84	1.23	5.93	1.24	6.15	1.26	6.40	1.29
						20	4.42	1.19	5.45	1.22	5.62	1.25	5.71	1.26	5.81	1.27	6.03	1.29	6.29	1.32
						21	4.42	1.21	5.39	1.24	5.55	1.26	5.65	1.27	5.75	1.28	5.98	1.31	6.24	1.33
						23	4.42	1.24	5.25	1.27	5.43	1.29	5.53	1.30	5.63	1.32	5.87	1.34	6.14	1.36
						25	4.42	1.27	5.13	1.30	5.31	1.32	5.42	1.33	5.53	1.35	5.77	1.37	6.05	1.39
						27	4.42	1.30	5.01	1.33	5.20	1.35	5.31	1.37	5.43	1.38	5.68	1.40	5.97	1.42
						29	4.42	1.34	4.90	1.36	5.10	1.39	5.21	1.40	5.33	1.41	5.60	1.43	5.89	1.46
						31	4.42	1.37	4.80	1.40	5.01	1.42	5.12	1.43	5.25	1.45	5.52	1.47	5.82	1.49
						33	4.42	1.41	4.70	1.43	4.92	1.46	5.04	1.47	5.17	1.48	5.45	1.50	5.76	1.52
						35	4.42	1.44	4.61	1.47	4.84	1.49	5.00	1.50	5.10	1.52	5.39	1.54	5.71	1.56
						37	4.42	1.48	4.53	1.50	4.76	1.53	4.89	1.54	5.03	1.55	5.33	1.57	5.66	1.60
						39	4.42	1.52	4.45	1.54	4.70	1.56	4.83	1.58	4.97	1.59	5.28	1.61	5.62	1.63
42	4.42	1.57	4.35	1.60	4.61	1.62	4.75	1.63	4.90	1.65	5.22	1.67	5.57	1.69						
44	4.42	1.61	4.30	1.64	4.56	1.66	4.70	1.67	4.86	1.68	5.18	1.71	5.55	1.73						
46	4.42	1.65	4.24	1.68	4.52	1.70	4.67	1.71	4.82	1.72	5.16	1.75	5.53	1.77						

# 12. Capacity Table

## 12-2. AJ050MCJ2EH/EU

### COOLING

Combination (Capacity Index)				Combination (Total)	Combination (%)	Outdoor Temperature (°C, DB)	Indoor Temperature (°C, WB)													
							14		16		18		19		20		22		24	
							TC(kW)	PI(kW)	TC(kW)	PI(kW)	TC(kW)	PI(kW)	TC(kW)	PI(kW)	TC(kW)	PI(kW)	TC(kW)	PI(kW)	TC(kW)	PI(kW)
3500	5000			8500	144%	10	4.42	0.93	6.23	0.95	6.35	0.97	6.42	0.98	6.50	1.00	6.68	1.02	6.90	1.04
						12	4.42	0.95	6.06	0.97	6.19	1.00	6.27	1.01	6.35	1.02	6.54	1.04	6.76	1.06
						14	4.42	0.97	5.90	1.00	6.04	1.02	6.12	1.03	6.20	1.04	6.40	1.06	6.63	1.08
						16	4.42	1.00	5.75	1.02	5.89	1.04	5.97	1.06	6.06	1.07	6.27	1.09	6.51	1.11
						18	4.42	1.02	5.60	1.05	5.75	1.07	5.84	1.08	5.93	1.09	6.15	1.11	6.40	1.13
						20	4.42	1.05	5.45	1.07	5.62	1.10	5.71	1.11	5.81	1.12	6.03	1.14	6.29	1.16
						21	4.42	1.06	5.39	1.09	5.55	1.11	5.65	1.12	5.75	1.13	5.98	1.15	6.24	1.17
						23	4.42	1.09	5.25	1.11	5.43	1.14	5.53	1.15	5.63	1.16	5.87	1.18	6.14	1.20
						25	4.42	1.12	5.13	1.14	5.31	1.16	5.42	1.17	5.53	1.19	5.77	1.21	6.05	1.23
						27	4.42	1.15	5.01	1.17	5.20	1.19	5.31	1.20	5.43	1.21	5.68	1.23	5.97	1.25
						29	4.42	1.18	4.90	1.20	5.10	1.22	5.21	1.23	5.33	1.24	5.60	1.26	5.89	1.28
						31	4.42	1.21	4.80	1.23	5.01	1.25	5.12	1.26	5.25	1.27	5.52	1.29	5.82	1.31
						33	4.42	1.24	4.70	1.26	4.92	1.28	5.04	1.29	5.17	1.30	5.45	1.32	5.76	1.34
						35	4.42	1.27	4.61	1.29	4.84	1.31	5.00	1.32	5.10	1.33	5.39	1.35	5.71	1.37
						37	4.42	1.30	4.53	1.32	4.76	1.34	4.89	1.36	5.03	1.37	5.33	1.39	5.66	1.40
						39	4.42	1.33	4.45	1.36	4.70	1.38	4.83	1.39	4.97	1.40	5.28	1.42	5.62	1.44
42	4.42	1.38	4.35	1.41	4.61	1.43	4.75	1.44	4.90	1.45	5.22	1.47	5.57	1.49						
44	4.42	1.42	4.30	1.44	4.56	1.46	4.70	1.47	4.86	1.48	5.18	1.50	5.55	1.52						
46	4.42	1.45	4.24	1.48	4.52	1.50	4.67	1.51	4.82	1.52	5.16	1.54	5.53	1.56						

### NOTE

- Cooling capacity is based on 27°CDB / 19°CWB (indoor temperature), 35°CDB (outdoor temperature).
- Heating capacity is based on 20°CDB (indoor temperature), 7°CDB/6°CWB (outdoor temperature).
- The above is the value for connecting with the following indoor units.
  - 2000, 2500, 3500, 5000W class: Wall Mounted
- Capacities are based on the following conditions:
  - Corresponding refrigerant piping length : 5m / - Level difference : 0m
- The total ability of connected a indoor unit is up to 8.5kW
- It is impossible to connect the indoor unit for one room only.
- This data is reference data for temperature capacity trend.

# 12. Capacity Table

## 12-2. AJ050MCJ2EH/EU

### HEATING

Combination (Capacity Index)				Combination (Total)	Combination (%)	Outdoor Temperature (°C, DB)	Indoor Temperature (°C, DB)															
							14		16		18		20		21		22		24			
							TC(kW)	PI(kW)	TC(kW)	PI(kW)	TC(kW)	PI(kW)	TC(kW)	PI(kW)	TC(kW)	PI(kW)	TC(kW)	PI(kW)	TC(kW)	PI(kW)		
2000				2000	38%	-15	1.43	0.70	1.39	0.71	1.35	0.72	1.33	0.72	1.31	0.73	1.28	0.73	1.26	0.74		
						-10	1.71	0.74	1.67	0.75	1.62	0.76	1.60	0.76	1.59	0.77	1.55	0.77	1.53	0.78		
						-5	2.00	0.77	1.95	0.78	1.90	0.79	1.88	0.80	1.86	0.80	1.83	0.81	1.80	0.82		
						0	2.28	0.81	2.23	0.82	2.18	0.83	2.16	0.84	2.14	0.84	2.10	0.85	2.07	0.86		
						2	2.40	0.82	2.34	0.84	2.29	0.85	2.27	0.85	2.25	0.86	2.21	0.87	2.18	0.87		
						7	2.62	0.85	2.57	0.86	2.52	0.88	2.50	0.88	2.47	0.89	2.43	0.90	2.39	0.90		
						10	2.85	0.88	2.79	0.89	2.74	0.91	2.72	0.91	2.69	0.92	2.65	0.93	2.61	0.93		
						15	3.14	0.92	3.08	0.93	3.02	0.94	3.00	0.95	2.97	0.95	2.93	0.96	2.88	0.97		
2500				2500	48%	-15	1.89	0.83	1.83	0.85	1.78	0.86	1.75	0.86	1.73	0.87	1.69	0.88	1.66	0.88		
						-10	2.26	0.88	2.20	0.89	2.14	0.90	2.12	0.91	2.09	0.91	2.05	0.92	2.02	0.93		
						-5	2.64	0.92	2.57	0.94	2.51	0.95	2.48	0.95	2.46	0.96	2.41	0.97	2.37	0.98		
						0	3.01	0.96	2.94	0.98	2.88	0.99	2.85	1.00	2.82	1.00	2.77	1.01	2.73	1.02		
						2	3.16	0.98	3.09	1.00	3.03	1.01	3.00	1.02	2.97	1.02	2.92	1.03	2.87	1.04		
						7	3.46	1.02	3.39	1.03	3.32	1.05	3.30	1.05	3.26	1.06	3.21	1.07	3.16	1.08		
						10	3.76	1.05	3.69	1.07	3.62	1.08	3.59	1.09	3.55	1.09	3.50	1.10	3.45	1.12		
						15	4.14	1.09	4.06	1.11	3.99	1.12	3.95	1.13	3.92	1.14	3.86	1.15	3.81	1.16		
3500				3500	67%	-15	2.29	1.03	2.22	1.05	2.15	1.06	2.13	1.07	2.10	1.07	2.05	1.08	2.01	1.09		
						-10	2.74	1.09	2.67	1.10	2.60	1.12	2.57	1.12	2.54	1.13	2.49	1.14	2.44	1.15		
						-5	3.20	1.14	3.12	1.16	3.04	1.17	3.01	1.18	2.98	1.19	2.92	1.20	2.88	1.21		
						0	3.65	1.19	3.57	1.21	3.49	1.23	3.46	1.24	3.42	1.24	3.36	1.26	3.31	1.27		
						2	3.83	1.22	3.75	1.23	3.67	1.25	3.63	1.26	3.60	1.27	3.54	1.28	3.48	1.29		
						7	4.20	1.26	4.11	1.28	4.03	1.29	4.00	1.30	3.95	1.31	3.89	1.32	3.83	1.34		
						10	4.56	1.30	4.47	1.32	4.38	1.34	4.35	1.35	4.31	1.35	4.24	1.37	4.18	1.38		
						15	5.02	1.35	4.92	1.37	4.83	1.39	4.79	1.40	4.75	1.41	4.68	1.42	4.62	1.44		
5000				5000	96%	-15	3.09	1.31	2.99	1.33	2.91	1.35	2.87	1.36	2.83	1.36	2.77	1.38	2.72	1.39		
						-10	3.70	1.38	3.60	1.40	3.51	1.42	3.47	1.43	3.43	1.44	3.36	1.45	3.30	1.46		
						-5	4.32	1.45	4.21	1.47	4.11	1.49	4.07	1.50	4.02	1.51	3.95	1.52	3.88	1.54		
						0	4.93	1.52	4.82	1.54	4.71	1.56	4.66	1.57	4.62	1.58	4.54	1.59	4.47	1.61		
						2	5.17	1.54	5.06	1.57	4.95	1.59	4.90	1.60	4.86	1.61	4.78	1.62	4.70	1.64		
						7	5.67	1.60	5.55	1.62	5.44	1.64	5.40	1.65	5.34	1.66	5.25	1.68	5.17	1.70		
						10	6.16	1.65	6.03	1.67	5.92	1.70	5.87	1.71	5.82	1.72	5.72	1.74	5.64	1.75		
						15	6.78	1.72	6.65	1.74	6.53	1.77	6.47	1.78	6.42	1.79	6.32	1.81	6.23	1.82		
2000	2000			4000	77%	-15	2.52	0.97	2.44	0.98	2.37	1.00	2.34	1.00	2.31	1.01	2.26	1.02	2.21	1.03		
						-10	3.02	1.02	2.93	1.04	2.86	1.05	2.82	1.06	2.79	1.06	2.74	1.07	2.69	1.08		
						-5	3.52	1.07	3.43	1.09	3.35	1.10	3.31	1.11	3.28	1.11	3.22	1.13	3.16	1.14		
						0	4.02	1.12	3.92	1.14	3.84	1.15	3.80	1.16	3.76	1.17	3.70	1.18	3.64	1.19		
						2	4.22	1.14	4.12	1.16	4.04	1.17	4.00	1.18	3.96	1.19	3.89	1.20	3.83	1.21		
						7	4.62	1.18	4.52	1.20	4.43	1.21	4.40	1.22	4.35	1.23	4.28	1.24	4.21	1.25		
						10	5.02	1.22	4.92	1.24	4.82	1.25	4.78	1.26	4.74	1.27	4.66	1.28	4.60	1.30		
						15	5.52	1.27	5.41	1.29	5.32	1.31	5.27	1.31	5.23	1.32	5.15	1.34	5.08	1.35		
2000	2500			4500	87%	-15	2.92	1.12	2.83	1.14	2.75	1.15	2.71	1.16	2.68	1.17	2.62	1.18	2.56	1.19		
						-10	3.50	1.18	3.40	1.20	3.31	1.21	3.27	1.22	3.24	1.23	3.17	1.24	3.12	1.25		
						-5	4.08	1.24	3.97	1.26	3.88	1.27	3.84	1.28	3.80	1.29	3.73	1.30	3.67	1.31		
						0	4.66	1.30	4.55	1.31	4.45	1.33	4.41	1.34	4.36	1.35	4.29	1.36	4.22	1.37		
						2	4.89	1.32	4.78	1.34	4.68	1.36	4.63	1.36	4.59	1.37	4.51	1.39	4.44	1.40		
						7	5.35	1.36	5.24	1.38	5.13	1.40	5.10	1.41	5.04	1.42	4.96	1.44	4.89	1.45		
						10	5.82	1.41	5.70	1.43	5.59	1.45	5.54	1.46	5.49	1.47	5.41	1.48	5.33	1.50		
						15	6.40	1.47	6.28	1.49	6.16	1.51	6.11	1.52	6.06	1.53	5.97	1.54	5.88	1.56		

# 12. Capacity Table

## 12-2. AJ050MCJ2EH/EU

### HEATING

Combination (Capacity Index)			Combination (Total)	Combination (%)	Outdoor Temperature (°C, DB)	Indoor Temperature (°C, DB)													
						14		16		18		20		21		22		24	
						TC(kW)	PI(kW)	TC(kW)	PI(kW)	TC(kW)	PI(kW)	TC(kW)	PI(kW)	TC(kW)	PI(kW)	TC(kW)	PI(kW)	TC(kW)	PI(kW)
2000	3500		5500	106%	-15	3.26	1.21	3.16	1.23	3.07	1.24	3.03	1.25	2.99	1.26	2.92	1.27	2.87	1.28
					-10	3.91	1.27	3.80	1.29	3.70	1.31	3.66	1.32	3.62	1.32	3.54	1.34	3.48	1.35
					-5	4.56	1.33	4.44	1.35	4.34	1.37	4.29	1.38	4.25	1.39	4.17	1.40	4.10	1.41
					0	5.20	1.40	5.08	1.42	4.97	1.44	4.92	1.45	4.88	1.45	4.79	1.47	4.72	1.48
					2	5.46	1.42	5.34	1.44	5.23	1.46	5.18	1.47	5.13	1.48	5.04	1.49	4.96	1.51
					7	5.98	1.47	5.85	1.49	5.74	1.51	5.70	1.52	5.63	1.53	5.54	1.55	5.46	1.56
					10	6.50	1.52	6.37	1.54	6.25	1.56	6.19	1.57	6.14	1.58	6.04	1.60	5.96	1.61
2000	5000		7000	135%	-15	3.26	1.14	3.16	1.16	3.07	1.18	3.03	1.18	2.99	1.19	2.92	1.20	2.87	1.21
					-10	3.91	1.20	3.80	1.22	3.70	1.24	3.66	1.25	3.62	1.25	3.54	1.27	3.48	1.28
					-5	4.56	1.26	4.44	1.28	4.34	1.30	4.29	1.31	4.25	1.32	4.17	1.33	4.10	1.34
					0	5.20	1.32	5.08	1.34	4.97	1.36	4.92	1.37	4.88	1.38	4.79	1.39	4.72	1.40
					2	5.46	1.35	5.34	1.37	5.23	1.39	5.18	1.39	5.13	1.40	5.04	1.42	4.96	1.43
					7	5.98	1.39	5.85	1.41	5.74	1.43	5.70	1.44	5.63	1.45	5.54	1.47	5.46	1.48
					10	6.50	1.44	6.37	1.46	6.25	1.48	6.19	1.49	6.14	1.50	6.04	1.52	5.96	1.53
2500	2500		5000	96%	-15	3.26	1.23	3.16	1.25	3.07	1.27	3.03	1.27	2.99	1.28	2.92	1.29	2.87	1.30
					-10	3.91	1.30	3.80	1.32	3.70	1.33	3.66	1.34	3.62	1.35	3.54	1.36	3.48	1.37
					-5	4.56	1.36	4.44	1.38	4.34	1.40	4.29	1.41	4.25	1.42	4.17	1.43	4.10	1.44
					0	5.20	1.42	5.08	1.45	4.97	1.46	4.92	1.47	4.88	1.48	4.79	1.50	4.72	1.51
					2	5.46	1.45	5.34	1.47	5.23	1.49	5.18	1.50	5.13	1.51	5.04	1.52	4.96	1.54
					7	5.98	1.50	5.85	1.52	5.74	1.54	5.70	1.55	5.63	1.56	5.54	1.58	5.46	1.59
					10	6.50	1.55	6.37	1.57	6.25	1.59	6.19	1.60	6.14	1.61	6.04	1.63	5.96	1.65
2500	3500		6000	115%	-15	3.26	1.23	3.16	1.25	3.07	1.27	3.03	1.27	2.99	1.28	2.92	1.29	2.87	1.30
					-10	3.91	1.30	3.80	1.32	3.70	1.33	3.66	1.34	3.62	1.35	3.54	1.36	3.48	1.37
					-5	4.56	1.36	4.44	1.38	4.34	1.40	4.29	1.41	4.25	1.42	4.17	1.43	4.10	1.44
					0	5.20	1.42	5.08	1.45	4.97	1.46	4.92	1.47	4.88	1.48	4.79	1.50	4.72	1.51
					2	5.46	1.45	5.34	1.47	5.23	1.49	5.18	1.50	5.13	1.51	5.04	1.52	4.96	1.54
					7	5.98	1.50	5.85	1.52	5.74	1.54	5.70	1.55	5.63	1.56	5.54	1.58	5.46	1.59
					10	6.50	1.55	6.37	1.57	6.25	1.59	6.19	1.60	6.14	1.61	6.04	1.63	5.96	1.65
2500	5000		7500	144%	-15	3.26	1.14	3.16	1.16	3.07	1.18	3.03	1.18	2.99	1.19	2.92	1.20	2.87	1.21
					-10	3.91	1.20	3.80	1.22	3.70	1.24	3.66	1.25	3.62	1.25	3.54	1.27	3.48	1.28
					-5	4.56	1.26	4.44	1.28	4.34	1.30	4.29	1.31	4.25	1.32	4.17	1.33	4.10	1.34
					0	5.20	1.32	5.08	1.34	4.97	1.36	4.92	1.37	4.88	1.38	4.79	1.39	4.72	1.40
					2	5.46	1.35	5.34	1.37	5.23	1.39	5.18	1.39	5.13	1.40	5.04	1.42	4.96	1.43
					7	5.98	1.39	5.85	1.41	5.74	1.43	5.70	1.44	5.63	1.45	5.54	1.47	5.46	1.48
					10	6.50	1.44	6.37	1.46	6.25	1.48	6.19	1.49	6.14	1.50	6.04	1.52	5.96	1.53
3500	3500		7000	135%	-15	3.26	1.17	3.16	1.19	3.07	1.20	3.03	1.21	2.99	1.22	2.92	1.23	2.87	1.24
					-10	3.91	1.23	3.80	1.25	3.70	1.26	3.66	1.27	3.62	1.28	3.54	1.29	3.48	1.30
					-5	4.56	1.29	4.44	1.31	4.34	1.33	4.29	1.34	4.25	1.34	4.17	1.36	4.10	1.37
					0	5.20	1.35	5.08	1.37	4.97	1.39	4.92	1.40	4.88	1.41	4.79	1.42	4.72	1.43
					2	5.46	1.37	5.34	1.40	5.23	1.41	5.18	1.42	5.13	1.43	5.04	1.45	4.96	1.46
					7	5.98	1.42	5.85	1.44	5.74	1.46	5.70	1.47	5.63	1.48	5.54	1.50	5.46	1.51
					10	6.50	1.47	6.37	1.49	6.25	1.51	6.19	1.52	6.14	1.53	6.04	1.55	5.96	1.56
15	7.15	1.53	7.01	1.55	6.89	1.57	6.83	1.58	6.77	1.59	6.67	1.61	6.58	1.63					

# 12. Capacity Table

## 12-2. AJ050MCJ2EH/EU

### HEATING

Combination (Capacity Index)				Combination (Total)	Combination (%)	Outdoor Temperature (°C, DB)	Indoor Temperature (°C, DB)															
							14		16		18		20		21		22		24			
							TC(kW)	PI(kW)	TC(kW)	PI(kW)	TC(kW)	PI(kW)	TC(kW)	PI(kW)	TC(kW)	PI(kW)	TC(kW)	PI(kW)	TC(kW)	PI(kW)		
3500	5000			8500	144%	-15	3.26	1.07	3.16	1.09	3.07	1.10	3.03	1.11	2.99	1.12	2.92	1.13	2.87	1.14		
						-10	3.91	1.13	3.80	1.15	3.70	1.16	3.66	1.17	3.62	1.17	3.54	1.19	3.48	1.20		
						-5	4.56	1.19	4.44	1.20	4.34	1.22	4.29	1.23	4.25	1.23	4.17	1.25	4.10	1.26		
						0	5.20	1.24	5.08	1.26	4.97	1.28	4.92	1.28	4.88	1.29	4.79	1.30	4.72	1.32		
						2	5.46	1.26	5.34	1.28	5.23	1.30	5.18	1.31	5.13	1.31	5.04	1.33	4.96	1.34		
						7	5.98	1.31	5.85	1.33	5.74	1.34	5.70	1.35	5.63	1.36	5.54	1.37	5.46	1.39		
						10	6.50	1.35	6.37	1.37	6.25	1.39	6.19	1.40	6.14	1.41	6.04	1.42	5.96	1.43		
						15	7.15	1.40	7.01	1.43	6.89	1.44	6.83	1.45	6.77	1.46	6.67	1.48	6.58	1.49		

### NOTE

- Cooling capacity is based on 27°CDB / 19°CWB (indoor temperature), 35°CDB (outdoor temperature).
- Heating capacity is based on 20°CDB (indoor temperature), 7°CDB/6°CWB (outdoor temperature).
- The above is the value for connecting with the following indoor units.
  - 2000, 2500, 3500, 5000W class: Wall Mounted
- Capacities are based on the following conditions:
  - Corresponding refrigerant piping length : 5m / - Level difference : 0m
- The total ability of connected a indoor unit is up to 8.5kW
- It is impossible to connect the indoor unit for one room only.
- This data is reference data for temperature capacity trend.

# 12. Capacity Table

## 12-3. AJ052MCJ3EH/EU

### COOLING

Combination (Capacity Index)				Combination (Total)	Combination (%)	Outdoor Temperature (°C, DB)	Indoor Temperature (°C, WB)													
							14		16		18		19		20		22		24	
							TC(kW)	PI(kW)	TC(kW)	PI(kW)	TC(kW)	PI(kW)	TC(kW)	PI(kW)	TC(kW)	PI(kW)	TC(kW)	PI(kW)	TC(kW)	PI(kW)
2000				2000	38%	10	1.60	0.36	2.32	0.41	2.42	0.44	2.46	0.46	2.51	0.47	2.61	0.49	2.71	0.51
						12	1.60	0.38	2.28	0.42	2.38	0.45	2.43	0.47	2.48	0.48	2.57	0.50	2.67	0.52
						14	1.60	0.40	2.24	0.44	2.34	0.47	2.39	0.48	2.44	0.50	2.53	0.52	2.63	0.53
						16	1.60	0.41	2.21	0.45	2.30	0.48	2.35	0.50	2.40	0.51	2.50	0.53	2.59	0.54
						18	1.60	0.43	2.17	0.47	2.27	0.50	2.31	0.51	2.36	0.52	2.46	0.54	2.55	0.55
						20	1.60	0.45	2.13	0.48	2.23	0.51	2.28	0.52	2.32	0.53	2.42	0.55	2.52	0.56
						21	1.60	0.46	2.12	0.49	2.21	0.52	2.26	0.53	2.30	0.54	2.40	0.56	2.50	0.57
						23	1.60	0.48	2.08	0.51	2.17	0.53	2.22	0.55	2.27	0.56	2.36	0.57	2.46	0.58
						25	1.60	0.49	2.04	0.53	2.14	0.55	2.18	0.56	2.23	0.57	2.32	0.58	2.42	0.59
						27	1.60	0.51	2.01	0.54	2.10	0.57	2.15	0.58	2.19	0.58	2.29	0.60	2.38	0.60
						29	1.60	0.53	1.97	0.56	2.06	0.58	2.11	0.59	2.16	0.60	2.25	0.61	2.34	0.61
						31	1.60	0.55	1.94	0.58	2.03	0.60	2.07	0.61	2.12	0.61	2.21	0.62	2.30	0.62
						33	1.60	0.57	1.90	0.60	1.99	0.61	2.04	0.62	2.08	0.63	2.17	0.64	2.27	0.64
						35	1.60	0.59	1.86	0.61	1.95	0.63	2.00	0.63	2.04	0.64	2.14	0.65	2.23	0.65
						37	1.60	0.61	1.83	0.63	1.92	0.65	1.96	0.65	2.01	0.66	2.10	0.66	2.19	0.66
						39	1.60	0.63	1.79	0.65	1.88	0.67	1.93	0.67	1.97	0.68	2.06	0.68	2.15	0.68
42	1.58	0.66	1.74	0.68	1.83	0.69	1.87	0.70	1.92	0.70	2.01	0.70	2.10	0.70						
44	1.50	0.68	1.71	0.70	1.79	0.71	1.84	0.71	1.88	0.72	1.97	0.72	2.06	0.71						
46	1.46	0.70	1.67	0.72	1.76	0.73	1.80	0.73	1.84	0.73	1.93	0.73	2.02	0.72						
2500				2500	48%	10	2.00	0.46	2.90	0.51	3.02	0.55	3.08	0.57	3.14	0.59	3.26	0.62	3.39	0.64
						12	2.00	0.48	2.85	0.53	2.97	0.57	3.03	0.59	3.09	0.60	3.22	0.63	3.34	0.65
						14	2.00	0.50	2.80	0.55	2.93	0.59	2.99	0.61	3.05	0.62	3.17	0.65	3.29	0.66
						16	2.00	0.52	2.76	0.57	2.88	0.61	2.94	0.62	3.00	0.64	3.12	0.66	3.24	0.68
						18	2.00	0.54	2.71	0.59	2.83	0.62	2.89	0.64	2.95	0.65	3.07	0.68	3.19	0.69
						20	2.00	0.56	2.67	0.61	2.79	0.64	2.85	0.66	2.90	0.67	3.02	0.69	3.14	0.70
						21	2.00	0.58	2.64	0.62	2.76	0.65	2.82	0.67	2.88	0.68	3.00	0.70	3.12	0.71
						23	2.00	0.60	2.60	0.64	2.72	0.67	2.78	0.68	2.83	0.70	2.95	0.71	3.07	0.72
						25	2.00	0.62	2.55	0.66	2.67	0.69	2.73	0.70	2.79	0.71	2.91	0.73	3.02	0.74
						27	2.00	0.64	2.51	0.68	2.62	0.71	2.68	0.72	2.74	0.73	2.86	0.75	2.98	0.75
						29	2.00	0.67	2.46	0.70	2.58	0.73	2.64	0.74	2.69	0.75	2.81	0.76	2.93	0.77
						31	2.00	0.69	2.42	0.72	2.53	0.75	2.59	0.76	2.65	0.77	2.76	0.78	2.88	0.78
						33	2.00	0.71	2.37	0.75	2.49	0.77	2.54	0.78	2.60	0.79	2.72	0.80	2.83	0.80
						35	2.00	0.74	2.33	0.77	2.44	0.79	2.50	0.79	2.56	0.81	2.67	0.81	2.78	0.82
						37	2.00	0.76	2.29	0.79	2.40	0.81	2.45	0.82	2.51	0.83	2.62	0.83	2.74	0.83
						39	2.00	0.79	2.24	0.82	2.35	0.84	2.41	0.84	2.46	0.85	2.58	0.85	2.69	0.85
42	1.98	0.83	2.18	0.85	2.29	0.87	2.34	0.87	2.40	0.88	2.51	0.88	2.62	0.87						
44	1.88	0.85	2.13	0.88	2.24	0.89	2.30	0.90	2.35	0.90	2.46	0.90	2.57	0.89						
46	1.83	0.88	2.09	0.90	2.20	0.91	2.25	0.92	2.30	0.92	2.41	0.92	2.53	0.91						

# 12. Capacity Table

## 12-3. AJ052MCJ3EH/EU

### COOLING

Combination (Capacity Index)				Combination (Total)	Combination (%)	Outdoor Temperature (°C, DB)	Indoor Temperature (°C, WB)															
							14		16		18		19		20		22		24			
							TC(kW)	PI(kW)	TC(kW)	PI(kW)	TC(kW)	PI(kW)	TC(kW)	PI(kW)	TC(kW)	PI(kW)	TC(kW)	PI(kW)	TC(kW)	PI(kW)		
3500				3500	67%	10	2.80	0.67	4.06	0.74	4.23	0.80	4.31	0.83	4.40	0.86	4.57	0.90	4.74	0.93		
						12	2.80	0.70	3.99	0.77	4.16	0.83	4.25	0.86	4.33	0.88	4.50	0.92	4.68	0.95		
						14	2.80	0.73	3.93	0.80	4.10	0.86	4.18	0.88	4.26	0.90	4.44	0.94	4.61	0.97		
						16	2.80	0.76	3.86	0.82	4.03	0.88	4.11	0.91	4.20	0.93	4.37	0.96	4.54	0.99		
						18	2.80	0.79	3.80	0.85	3.96	0.91	4.05	0.93	4.13	0.95	4.30	0.98	4.47	1.00		
						20	2.80	0.82	3.73	0.88	3.90	0.94	3.98	0.96	4.07	0.98	4.23	1.01	4.40	1.02		
						21	2.80	0.84	3.70	0.90	3.87	0.95	3.95	0.97	4.03	0.99	4.20	1.02	4.37	1.03		
						23	2.80	0.87	3.64	0.93	3.80	0.98	3.89	1.00	3.97	1.01	4.13	1.04	4.30	1.05		
						25	2.80	0.90	3.58	0.96	3.74	1.00	3.82	1.02	3.90	1.04	4.07	1.06	4.23	1.08		
						27	2.80	0.94	3.51	0.99	3.67	1.03	3.76	1.05	3.84	1.07	4.00	1.09	4.17	1.10		
						29	2.80	0.97	3.45	1.02	3.61	1.06	3.69	1.08	3.77	1.09	3.93	1.11	4.10	1.12		
						31	2.80	1.01	3.39	1.05	3.55	1.09	3.63	1.11	3.71	1.12	3.87	1.14	4.03	1.14		
						33	2.80	1.04	3.32	1.09	3.48	1.12	3.56	1.14	3.64	1.15	3.80	1.16	3.97	1.16		
						35	2.80	1.08	3.26	1.12	3.42	1.15	3.50	1.15	3.58	1.18	3.74	1.19	3.90	1.19		
						37	2.80	1.11	3.20	1.15	3.36	1.18	3.43	1.20	3.51	1.20	3.67	1.21	3.83	1.21		
						39	2.80	1.15	3.14	1.19	3.29	1.22	3.37	1.23	3.45	1.23	3.61	1.24	3.77	1.23		
42	2.77	1.20	3.05	1.24	3.20	1.26	3.28	1.27	3.35	1.28	3.51	1.28	3.67	1.27								
44	2.63	1.24	2.98	1.27	3.14	1.30	3.21	1.30	3.29	1.31	3.45	1.31	3.60	1.30								
46	2.56	1.28	2.92	1.31	3.07	1.33	3.15	1.34	3.23	1.34	3.38	1.34	3.54	1.32								
5000				5000	96%	10	4.00	0.94	5.79	1.04	6.04	1.13	6.16	1.17	6.28	1.21	6.53	1.27	6.78	1.31		
						12	4.00	0.98	5.70	1.08	5.94	1.17	6.07	1.21	6.19	1.24	6.43	1.30	6.68	1.34		
						14	4.00	1.02	5.61	1.12	5.85	1.21	5.97	1.24	6.09	1.27	6.34	1.33	6.58	1.36		
						16	4.00	1.07	5.52	1.16	5.76	1.24	5.88	1.28	6.00	1.31	6.24	1.36	6.48	1.39		
						18	4.00	1.11	5.43	1.20	5.66	1.28	5.78	1.31	5.90	1.34	6.14	1.39	6.39	1.42		
						20	4.00	1.16	5.34	1.24	5.57	1.32	5.69	1.35	5.81	1.37	6.05	1.42	6.29	1.44		
						21	4.00	1.18	5.29	1.27	5.53	1.34	5.64	1.37	5.76	1.39	6.00	1.43	6.24	1.46		
						23	4.00	1.23	5.20	1.31	5.43	1.38	5.55	1.40	5.67	1.43	5.91	1.46	6.14	1.49		
						25	4.00	1.27	5.11	1.35	5.34	1.42	5.46	1.44	5.57	1.46	5.81	1.50	6.05	1.52		
						27	4.00	1.32	5.02	1.40	5.25	1.46	5.37	1.48	5.48	1.50	5.72	1.53	5.95	1.55		
						29	4.00	1.37	4.93	1.44	5.16	1.50	5.27	1.52	5.39	1.54	5.62	1.56	5.86	1.58		
						31	4.00	1.42	4.84	1.49	5.07	1.54	5.18	1.56	5.30	1.58	5.53	1.60	5.76	1.61		
						33	4.00	1.47	4.75	1.53	4.98	1.58	5.09	1.60	5.20	1.62	5.43	1.64	5.66	1.64		
						35	4.00	1.52	4.66	1.58	4.89	1.62	5.00	1.62	5.11	1.66	5.34	1.67	5.57	1.67		
						37	4.00	1.57	4.57	1.63	4.79	1.67	4.91	1.68	5.02	1.70	5.25	1.71	5.47	1.70		
						39	4.00	1.62	4.48	1.67	4.70	1.71	4.82	1.73	4.93	1.74	5.15	1.75	5.38	1.74		
42	3.95	1.70	4.35	1.75	4.57	1.78	4.68	1.79	4.79	1.80	5.01	1.80	5.24	1.79								
44	3.75	1.75	4.26	1.80	4.48	1.83	4.59	1.84	4.70	1.84	4.92	1.84	5.14	1.83								
46	3.65	1.80	4.18	1.85	4.39	1.87	4.50	1.88	4.61	1.89	4.83	1.88	5.05	1.86								

# 12. Capacity Table

## 12-3. AJ052MCJ3EH/EU

### COOLING

Combination (Capacity Index)				Combination (Total)	Combination (%)	Outdoor Temperature (°C, DB)	Indoor Temperature (°C, WB)													
							14		16		18		19		20		22		24	
							TC(kW)	PI(kW)	TC(kW)	PI(kW)	TC(kW)	PI(kW)	TC(kW)	PI(kW)	TC(kW)	PI(kW)	TC(kW)	PI(kW)	TC(kW)	PI(kW)
2000	2000			4000	77%	10	3.53	0.87	4.99	0.89	5.08	0.91	5.14	0.92	5.20	0.94	5.35	0.95	5.52	0.97
						12	3.53	0.89	4.85	0.91	4.95	0.94	5.01	0.95	5.08	0.96	5.23	0.98	5.41	1.00
						14	3.53	0.92	4.72	0.94	4.83	0.96	4.89	0.97	4.96	0.98	5.12	1.00	5.31	1.02
						16	3.53	0.94	4.60	0.96	4.71	0.98	4.78	0.99	4.85	1.00	5.02	1.02	5.21	1.04
						18	3.53	0.96	4.48	0.98	4.60	1.01	4.67	1.02	4.75	1.03	4.92	1.04	5.12	1.06
						20	3.53	0.99	4.36	1.01	4.49	1.03	4.57	1.04	4.65	1.05	4.83	1.07	5.03	1.09
						21	3.53	1.00	4.31	1.02	4.44	1.04	4.52	1.05	4.60	1.06	4.78	1.08	4.99	1.10
						23	3.53	1.03	4.20	1.05	4.34	1.07	4.42	1.08	4.51	1.09	4.70	1.11	4.91	1.13
						25	3.53	1.05	4.10	1.07	4.25	1.09	4.33	1.10	4.42	1.11	4.62	1.13	4.84	1.15
						27	3.53	1.08	4.01	1.10	4.16	1.12	4.25	1.13	4.34	1.14	4.55	1.16	4.78	1.18
						29	3.53	1.11	3.92	1.13	4.08	1.15	4.17	1.16	4.27	1.17	4.48	1.19	4.72	1.20
						31	3.53	1.13	3.84	1.15	4.01	1.18	4.10	1.19	4.20	1.19	4.42	1.21	4.66	1.23
						33	3.53	1.16	3.76	1.18	3.94	1.20	4.03	1.21	4.13	1.22	4.36	1.24	4.61	1.26
						35	3.53	1.19	3.69	1.21	3.87	1.23	4.00	1.24	4.08	1.25	4.31	1.27	4.57	1.29
						37	3.53	1.22	3.62	1.24	3.81	1.26	3.91	1.27	4.02	1.28	4.26	1.30	4.53	1.32
						39	3.53	1.25	3.56	1.27	3.76	1.29	3.86	1.30	3.98	1.31	4.22	1.33	4.49	1.35
42	3.53	1.30	3.48	1.32	3.69	1.34	3.80	1.35	3.92	1.36	4.17	1.38	4.46	1.40						
44	3.53	1.33	3.44	1.35	3.65	1.37	3.76	1.38	3.89	1.39	4.15	1.41	4.44	1.43						
46	3.53	1.37	3.39	1.39	3.61	1.41	3.73	1.42	3.86	1.43	4.13	1.44	4.42	1.46						
2000	2500			4500	87%	10	4.07	0.99	5.73	1.02	5.84	1.04	5.91	1.05	5.98	1.06	6.15	1.09	6.34	1.11
						12	4.07	1.02	5.58	1.04	5.69	1.06	5.76	1.08	5.84	1.09	6.02	1.11	6.22	1.13
						14	4.07	1.04	5.43	1.07	5.55	1.09	5.63	1.10	5.71	1.11	5.89	1.14	6.10	1.16
						16	4.07	1.07	5.29	1.09	5.42	1.12	5.50	1.13	5.58	1.14	5.77	1.16	5.99	1.18
						18	4.07	1.09	5.15	1.12	5.29	1.14	5.37	1.15	5.46	1.17	5.66	1.19	5.89	1.21
						20	4.07	1.12	5.02	1.15	5.17	1.17	5.25	1.18	5.34	1.19	5.55	1.22	5.79	1.24
						21	4.07	1.14	4.96	1.16	5.11	1.18	5.19	1.20	5.29	1.21	5.50	1.23	5.74	1.25
						23	4.07	1.17	4.83	1.19	4.99	1.21	5.09	1.23	5.18	1.24	5.40	1.26	5.65	1.28
						25	4.07	1.20	4.72	1.22	4.89	1.24	4.98	1.25	5.09	1.27	5.31	1.29	5.57	1.31
						27	4.07	1.23	4.61	1.25	4.79	1.27	4.89	1.28	4.99	1.30	5.23	1.32	5.49	1.34
						29	4.07	1.26	4.51	1.28	4.69	1.30	4.80	1.32	4.91	1.33	5.15	1.35	5.42	1.37
						31	4.07	1.29	4.42	1.31	4.61	1.34	4.71	1.35	4.83	1.36	5.08	1.38	5.36	1.40
						33	4.07	1.32	4.33	1.35	4.53	1.37	4.64	1.38	4.76	1.39	5.01	1.41	5.30	1.43
						35	4.07	1.36	4.24	1.38	4.45	1.40	4.60	1.41	4.69	1.42	4.96	1.45	5.25	1.47
						37	4.07	1.39	4.17	1.41	4.38	1.44	4.50	1.45	4.63	1.46	4.90	1.48	5.21	1.50
						39	4.07	1.42	4.10	1.45	4.32	1.47	4.44	1.48	4.57	1.49	4.86	1.51	5.17	1.53
42	4.07	1.48	4.01	1.50	4.24	1.52	4.37	1.54	4.51	1.55	4.80	1.57	5.12	1.59						
44	4.07	1.52	3.95	1.54	4.20	1.56	4.33	1.57	4.47	1.58	4.77	1.60	5.10	1.62						
46	4.07	1.55	3.90	1.58	4.16	1.60	4.29	1.61	4.44	1.62	4.75	1.64	5.09	1.66						



# 12. Capacity Table

## 12-3. AJ052MCJ3EH/EU

### COOLING

Combination (Capacity Index)				Combination (Total)	Combination (%)	Outdoor Temperature (°C, DB)	Indoor Temperature (°C, WB)															
							14		16		18		19		20		22		24			
							TC(kW)	PI(kW)	TC(kW)	PI(kW)	TC(kW)	PI(kW)	TC(kW)	PI(kW)	TC(kW)	PI(kW)	TC(kW)	PI(kW)	TC(kW)	PI(kW)		
2000	3500			5500	106%	10	4.42	1.07	6.23	1.09	6.35	1.12	6.42	1.13	6.50	1.15	6.68	1.17	6.90	1.19		
						12	4.42	1.09	6.06	1.12	6.19	1.15	6.27	1.16	6.35	1.17	6.54	1.20	6.76	1.22		
						14	4.42	1.12	5.90	1.15	6.04	1.17	6.12	1.19	6.20	1.20	6.40	1.22	6.63	1.25		
						16	4.42	1.15	5.75	1.18	5.89	1.20	5.97	1.22	6.06	1.23	6.27	1.25	6.51	1.28		
						18	4.42	1.18	5.60	1.21	5.75	1.23	5.84	1.24	5.93	1.26	6.15	1.28	6.40	1.30		
						20	4.42	1.21	5.45	1.24	5.62	1.26	5.71	1.27	5.81	1.29	6.03	1.31	6.29	1.33		
						21	4.42	1.23	5.39	1.25	5.55	1.28	5.65	1.29	5.75	1.30	5.98	1.33	6.24	1.35		
						23	4.42	1.26	5.25	1.28	5.43	1.31	5.53	1.32	5.63	1.33	5.87	1.36	6.14	1.38		
						25	4.42	1.29	5.13	1.31	5.31	1.34	5.42	1.35	5.53	1.36	5.77	1.39	6.05	1.41		
						27	4.42	1.32	5.01	1.35	5.20	1.37	5.31	1.39	5.43	1.40	5.68	1.42	5.97	1.44		
						29	4.42	1.36	4.90	1.38	5.10	1.41	5.21	1.42	5.33	1.43	5.60	1.45	5.89	1.48		
						31	4.42	1.39	4.80	1.42	5.01	1.44	5.12	1.45	5.25	1.46	5.52	1.49	5.82	1.51		
						33	4.42	1.42	4.70	1.45	4.92	1.48	5.04	1.49	5.17	1.50	5.45	1.52	5.76	1.55		
						35	4.42	1.46	4.61	1.49	4.84	1.51	5.00	1.52	5.10	1.54	5.39	1.56	5.71	1.58		
						37	4.42	1.50	4.53	1.52	4.76	1.55	4.89	1.56	5.03	1.57	5.33	1.60	5.66	1.62		
						39	4.42	1.54	4.45	1.56	4.70	1.59	4.83	1.60	4.97	1.61	5.28	1.63	5.62	1.65		
42	4.42	1.59	4.35	1.62	4.61	1.64	4.75	1.66	4.90	1.67	5.22	1.69	5.57	1.71								
44	4.42	1.63	4.30	1.66	4.56	1.68	4.70	1.70	4.86	1.71	5.18	1.73	5.55	1.75								
46	4.42	1.67	4.24	1.70	4.52	1.72	4.67	1.74	4.82	1.75	5.16	1.77	5.53	1.79								
2000	5000			7000	135%	10	4.60	1.08	6.48	1.11	6.61	1.14	6.68	1.15	6.76	1.16	6.95	1.19	7.17	1.21		
						12	4.60	1.11	6.31	1.14	6.44	1.16	6.52	1.18	6.60	1.19	6.80	1.21	7.03	1.24		
						14	4.60	1.14	6.14	1.16	6.28	1.19	6.36	1.20	6.45	1.22	6.66	1.24	6.90	1.26		
						16	4.60	1.17	5.97	1.19	6.12	1.22	6.21	1.23	6.31	1.24	6.52	1.27	6.77	1.29		
						18	4.60	1.20	5.82	1.22	5.98	1.25	6.07	1.26	6.17	1.27	6.40	1.30	6.65	1.32		
						20	4.60	1.23	5.67	1.25	5.84	1.28	5.94	1.29	6.04	1.30	6.28	1.33	6.54	1.35		
						21	4.60	1.24	5.60	1.27	5.77	1.29	5.87	1.31	5.98	1.32	6.22	1.34	6.49	1.37		
						23	4.60	1.27	5.47	1.30	5.65	1.33	5.75	1.34	5.86	1.35	6.11	1.37	6.39	1.40		
						25	4.60	1.31	5.34	1.33	5.53	1.36	5.63	1.37	5.75	1.38	6.01	1.41	6.29	1.43		
						27	4.60	1.34	5.21	1.37	5.41	1.39	5.52	1.40	5.64	1.42	5.91	1.44	6.21	1.46		
						29	4.60	1.37	5.10	1.40	5.31	1.42	5.42	1.44	5.55	1.45	5.82	1.47	6.13	1.50		
						31	4.60	1.41	4.99	1.43	5.21	1.46	5.33	1.47	5.46	1.48	5.74	1.51	6.06	1.53		
						33	4.60	1.44	4.89	1.47	5.12	1.50	5.24	1.51	5.38	1.52	5.67	1.54	5.99	1.57		
						35	4.60	1.48	4.80	1.51	5.03	1.53	5.20	1.54	5.30	1.56	5.60	1.58	5.94	1.60		
						37	4.60	1.52	4.71	1.54	4.95	1.57	5.09	1.58	5.23	1.59	5.54	1.62	5.89	1.64		
						39	4.60	1.56	4.63	1.58	4.89	1.61	5.02	1.62	5.17	1.63	5.49	1.65	5.84	1.68		
42	4.60	1.61	4.53	1.64	4.79	1.67	4.94	1.68	5.09	1.69	5.43	1.71	5.79	1.73								
44	4.60	1.66	4.47	1.68	4.74	1.71	4.89	1.72	5.05	1.73	5.39	1.75	5.77	1.77								
46	4.60	1.70	4.41	1.72	4.70	1.75	4.85	1.76	5.02	1.77	5.37	1.79	5.75	1.81								

# 12. Capacity Table

## 12-3. AJ052MCJ3EH/EU

### COOLING

Combination (Capacity Index)				Combination (Total)	Combination (%)	Outdoor Temperature (°C, DB)	Indoor Temperature (°C, WB)													
							14		16		18		19		20		22		24	
							TC(kW)	PI(kW)	TC(kW)	PI(kW)	TC(kW)	PI(kW)	TC(kW)	PI(kW)	TC(kW)	PI(kW)	TC(kW)	PI(kW)	TC(kW)	PI(kW)
2500	2500			5000	96%	10	4.42	1.09	6.23	1.12	6.35	1.14	6.42	1.16	6.50	1.17	6.68	1.19	6.90	1.22
						12	4.42	1.12	6.06	1.14	6.19	1.17	6.27	1.18	6.35	1.20	6.54	1.22	6.76	1.24
						14	4.42	1.14	5.90	1.17	6.04	1.20	6.12	1.21	6.20	1.22	6.40	1.25	6.63	1.27
						16	4.42	1.17	5.75	1.20	5.89	1.23	5.97	1.24	6.06	1.25	6.27	1.28	6.51	1.30
						18	4.42	1.20	5.60	1.23	5.75	1.26	5.84	1.27	5.93	1.28	6.15	1.31	6.40	1.33
						20	4.42	1.23	5.45	1.26	5.62	1.29	5.71	1.30	5.81	1.31	6.03	1.34	6.29	1.36
						21	4.42	1.25	5.39	1.28	5.55	1.30	5.65	1.32	5.75	1.33	5.98	1.35	6.24	1.38
						23	4.42	1.28	5.25	1.31	5.43	1.33	5.53	1.35	5.63	1.36	5.87	1.38	6.14	1.41
						25	4.42	1.31	5.13	1.34	5.31	1.37	5.42	1.38	5.53	1.39	5.77	1.42	6.05	1.44
						27	4.42	1.35	5.01	1.37	5.20	1.40	5.31	1.41	5.43	1.42	5.68	1.45	5.97	1.47
						29	4.42	1.38	4.90	1.41	5.10	1.43	5.21	1.45	5.33	1.46	5.60	1.48	5.89	1.51
						31	4.42	1.42	4.80	1.44	5.01	1.47	5.12	1.48	5.25	1.49	5.52	1.52	5.82	1.54
						33	4.42	1.45	4.70	1.48	4.92	1.50	5.04	1.52	5.17	1.53	5.45	1.55	5.76	1.58
						35	4.42	1.49	4.61	1.52	4.84	1.54	5.00	1.55	5.10	1.57	5.39	1.59	5.71	1.61
						37	4.42	1.53	4.53	1.55	4.76	1.58	4.89	1.59	5.03	1.60	5.33	1.63	5.66	1.65
						39	4.42	1.57	4.45	1.59	4.70	1.62	4.83	1.63	4.97	1.64	5.28	1.66	5.62	1.69
42	4.42	1.63	4.35	1.65	4.61	1.68	4.75	1.69	4.90	1.70	5.22	1.72	5.57	1.75						
44	4.42	1.67	4.30	1.69	4.56	1.72	4.70	1.73	4.86	1.74	5.18	1.76	5.55	1.79						
46	4.42	1.71	4.24	1.73	4.52	1.76	4.67	1.77	4.82	1.78	5.16	1.80	5.53	1.83						
2500	3500			6000	115%	10	4.42	1.06	6.23	1.09	6.35	1.11	6.42	1.13	6.50	1.14	6.68	1.16	6.90	1.19
						12	4.42	1.09	6.06	1.11	6.19	1.14	6.27	1.15	6.35	1.16	6.54	1.19	6.76	1.21
						14	4.42	1.11	5.90	1.14	6.04	1.17	6.12	1.18	6.20	1.19	6.40	1.22	6.63	1.24
						16	4.42	1.14	5.75	1.17	5.89	1.20	5.97	1.21	6.06	1.22	6.27	1.24	6.51	1.27
						18	4.42	1.17	5.60	1.20	5.75	1.22	5.84	1.24	5.93	1.25	6.15	1.27	6.40	1.30
						20	4.42	1.20	5.45	1.23	5.62	1.25	5.71	1.27	5.81	1.28	6.03	1.30	6.29	1.32
						21	4.42	1.22	5.39	1.24	5.55	1.27	5.65	1.28	5.75	1.29	5.98	1.32	6.24	1.34
						23	4.42	1.25	5.25	1.27	5.43	1.30	5.53	1.31	5.63	1.32	5.87	1.35	6.14	1.37
						25	4.42	1.28	5.13	1.31	5.31	1.33	5.42	1.34	5.53	1.36	5.77	1.38	6.05	1.40
						27	4.42	1.31	5.01	1.34	5.20	1.36	5.31	1.38	5.43	1.39	5.68	1.41	5.97	1.43
						29	4.42	1.35	4.90	1.37	5.10	1.40	5.21	1.41	5.33	1.42	5.60	1.44	5.89	1.47
						31	4.42	1.38	4.80	1.41	5.01	1.43	5.12	1.44	5.25	1.46	5.52	1.48	5.82	1.50
						33	4.42	1.42	4.70	1.44	4.92	1.47	5.04	1.48	5.17	1.49	5.45	1.51	5.76	1.53
						35	4.42	1.45	4.61	1.48	4.84	1.50	5.00	1.51	5.10	1.53	5.39	1.55	5.71	1.57
						37	4.42	1.49	4.53	1.51	4.76	1.54	4.89	1.55	5.03	1.56	5.33	1.58	5.66	1.61
						39	4.42	1.53	4.45	1.55	4.70	1.58	4.83	1.59	4.97	1.60	5.28	1.62	5.62	1.64
42	4.42	1.58	4.35	1.61	4.61	1.63	4.75	1.64	4.90	1.66	5.22	1.68	5.57	1.70						
44	4.42	1.62	4.30	1.65	4.56	1.67	4.70	1.68	4.86	1.70	5.18	1.72	5.55	1.74						
46	4.42	1.66	4.24	1.69	4.52	1.71	4.67	1.72	4.82	1.74	5.16	1.76	5.53	1.78						

# 12. Capacity Table

## 12-3. AJ052MCJ3EH/EU

### COOLING

Combination (Capacity Index)				Combination (Total)	Combination (%)	Outdoor Temperature (°C, DB)	Indoor Temperature (°C, WB)															
							14		16		18		19		20		22		24			
							TC(kW)	PI(kW)	TC(kW)	PI(kW)	TC(kW)	PI(kW)	TC(kW)	PI(kW)	TC(kW)	PI(kW)	TC(kW)	PI(kW)	TC(kW)	PI(kW)		
2500	5000			7500	144%	10	4.60	1.08	6.48	1.11	6.61	1.14	6.68	1.15	6.76	1.16	6.95	1.19	7.17	1.21		
						12	4.60	1.11	6.31	1.14	6.44	1.16	6.52	1.18	6.60	1.19	6.80	1.21	7.03	1.24		
						14	4.60	1.14	6.14	1.16	6.28	1.19	6.36	1.20	6.45	1.22	6.66	1.24	6.90	1.26		
						16	4.60	1.17	5.97	1.19	6.12	1.22	6.21	1.23	6.31	1.24	6.52	1.27	6.77	1.29		
						18	4.60	1.20	5.82	1.22	5.98	1.25	6.07	1.26	6.17	1.27	6.40	1.30	6.65	1.32		
						20	4.60	1.23	5.67	1.25	5.84	1.28	5.94	1.29	6.04	1.30	6.28	1.33	6.54	1.35		
						21	4.60	1.24	5.60	1.27	5.77	1.29	5.87	1.31	5.98	1.32	6.22	1.34	6.49	1.37		
						23	4.60	1.27	5.47	1.30	5.65	1.33	5.75	1.34	5.86	1.35	6.11	1.37	6.39	1.40		
						25	4.60	1.31	5.34	1.33	5.53	1.36	5.63	1.37	5.75	1.38	6.01	1.41	6.29	1.43		
						27	4.60	1.34	5.21	1.37	5.41	1.39	5.52	1.40	5.64	1.42	5.91	1.44	6.21	1.46		
						29	4.60	1.37	5.10	1.40	5.31	1.42	5.42	1.44	5.55	1.45	5.82	1.47	6.13	1.50		
						31	4.60	1.41	4.99	1.43	5.21	1.46	5.33	1.47	5.46	1.48	5.74	1.51	6.06	1.53		
						33	4.60	1.44	4.89	1.47	5.12	1.50	5.24	1.51	5.38	1.52	5.67	1.54	5.99	1.57		
						35	4.60	1.48	4.80	1.51	5.03	1.53	5.20	1.54	5.30	1.56	5.60	1.58	5.94	1.60		
						37	4.60	1.52	4.71	1.54	4.95	1.57	5.09	1.58	5.23	1.59	5.54	1.62	5.89	1.64		
						39	4.60	1.56	4.63	1.58	4.89	1.61	5.02	1.62	5.17	1.63	5.49	1.65	5.84	1.68		
42	4.60	1.61	4.53	1.64	4.79	1.67	4.94	1.68	5.09	1.69	5.43	1.71	5.79	1.73								
44	4.60	1.66	4.47	1.68	4.74	1.71	4.89	1.72	5.05	1.73	5.39	1.75	5.77	1.77								
46	4.60	1.70	4.41	1.72	4.70	1.75	4.85	1.76	5.02	1.77	5.37	1.79	5.75	1.81								
3500	3500			7000	135%	10	4.60	1.08	6.48	1.11	6.61	1.14	6.68	1.15	6.76	1.16	6.95	1.19	7.17	1.21		
						12	4.60	1.11	6.31	1.14	6.44	1.16	6.52	1.18	6.60	1.19	6.80	1.21	7.03	1.24		
						14	4.60	1.14	6.14	1.16	6.28	1.19	6.36	1.20	6.45	1.22	6.66	1.24	6.90	1.26		
						16	4.60	1.17	5.97	1.19	6.12	1.22	6.21	1.23	6.31	1.24	6.52	1.27	6.77	1.29		
						18	4.60	1.20	5.82	1.22	5.98	1.25	6.07	1.26	6.17	1.27	6.40	1.30	6.65	1.32		
						20	4.60	1.23	5.67	1.25	5.84	1.28	5.94	1.29	6.04	1.30	6.28	1.33	6.54	1.35		
						21	4.60	1.24	5.60	1.27	5.77	1.29	5.87	1.31	5.98	1.32	6.22	1.34	6.49	1.37		
						23	4.60	1.27	5.47	1.30	5.65	1.33	5.75	1.34	5.86	1.35	6.11	1.37	6.39	1.40		
						25	4.60	1.31	5.34	1.33	5.53	1.36	5.63	1.37	5.75	1.38	6.01	1.41	6.29	1.43		
						27	4.60	1.34	5.21	1.37	5.41	1.39	5.52	1.40	5.64	1.42	5.91	1.44	6.21	1.46		
						29	4.60	1.37	5.10	1.40	5.31	1.42	5.42	1.44	5.55	1.45	5.82	1.47	6.13	1.50		
						31	4.60	1.41	4.99	1.43	5.21	1.46	5.33	1.47	5.46	1.48	5.74	1.51	6.06	1.53		
						33	4.60	1.44	4.89	1.47	5.12	1.50	5.24	1.51	5.38	1.52	5.67	1.54	5.99	1.57		
						35	4.60	1.48	4.80	1.51	5.03	1.53	5.20	1.54	5.30	1.56	5.60	1.58	5.94	1.60		
						37	4.60	1.52	4.71	1.54	4.95	1.57	5.09	1.58	5.23	1.59	5.54	1.62	5.89	1.64		
						39	4.60	1.56	4.63	1.58	4.89	1.61	5.02	1.62	5.17	1.63	5.49	1.65	5.84	1.68		
42	4.60	1.61	4.53	1.64	4.79	1.67	4.94	1.68	5.09	1.69	5.43	1.71	5.79	1.73								
44	4.60	1.66	4.47	1.68	4.74	1.71	4.89	1.72	5.05	1.73	5.39	1.75	5.77	1.77								
46	4.60	1.70	4.41	1.72	4.70	1.75	4.85	1.76	5.02	1.77	5.37	1.79	5.75	1.81								

# 12. Capacity Table

## 12-3. AJ052MCJ3EH/EU

### COOLING

Combination (Capacity Index)			Combination (Total)	Combination (%)	Outdoor Temperature (°C, DB)	Indoor Temperature (°C, WB)													
						14		16		18		19		20		22		24	
						TC(kW)	PI(kW)	TC(kW)	PI(kW)	TC(kW)	PI(kW)	TC(kW)	PI(kW)	TC(kW)	PI(kW)	TC(kW)	PI(kW)	TC(kW)	PI(kW)
2000	2000	2000	6000	115%	10	4.60	1.05	6.48	1.08	6.61	1.11	6.68	1.12	6.76	1.13	6.95	1.16	7.17	1.18
					12	4.60	1.08	6.31	1.11	6.44	1.13	6.52	1.14	6.60	1.16	6.80	1.18	7.03	1.20
					14	4.60	1.11	6.14	1.13	6.28	1.16	6.36	1.17	6.45	1.18	6.66	1.21	6.90	1.23
					16	4.60	1.14	5.97	1.16	6.12	1.19	6.21	1.20	6.31	1.21	6.52	1.24	6.77	1.26
					18	4.60	1.16	5.82	1.19	5.98	1.22	6.07	1.23	6.17	1.24	6.40	1.26	6.65	1.29
					20	4.60	1.19	5.67	1.22	5.84	1.25	5.94	1.26	6.04	1.27	6.28	1.29	6.54	1.32
					21	4.60	1.21	5.60	1.24	5.77	1.26	5.87	1.27	5.98	1.28	6.22	1.31	6.49	1.33
					23	4.60	1.24	5.47	1.27	5.65	1.29	5.75	1.30	5.86	1.32	6.11	1.34	6.39	1.36
					25	4.60	1.27	5.34	1.30	5.53	1.32	5.63	1.33	5.75	1.35	6.01	1.37	6.29	1.39
					27	4.60	1.30	5.21	1.33	5.41	1.35	5.52	1.37	5.64	1.38	5.91	1.40	6.21	1.42
					29	4.60	1.34	5.10	1.36	5.31	1.39	5.42	1.40	5.55	1.41	5.82	1.43	6.13	1.46
					31	4.60	1.37	4.99	1.40	5.21	1.42	5.33	1.43	5.46	1.45	5.74	1.47	6.06	1.49
					33	4.60	1.41	4.89	1.43	5.12	1.46	5.24	1.47	5.38	1.48	5.67	1.50	5.99	1.52
					35	4.60	1.44	4.80	1.47	5.03	1.49	5.20	1.50	5.30	1.52	5.60	1.54	5.94	1.56
					37	4.60	1.48	4.71	1.50	4.95	1.53	5.09	1.54	5.23	1.55	5.54	1.57	5.89	1.60
					39	4.60	1.52	4.63	1.54	4.89	1.56	5.02	1.58	5.17	1.59	5.49	1.61	5.84	1.63
42	4.60	1.57	4.53	1.60	4.79	1.62	4.94	1.63	5.09	1.65	5.43	1.67	5.79	1.69					
44	4.60	1.61	4.47	1.64	4.74	1.66	4.89	1.67	5.05	1.68	5.39	1.71	5.77	1.73					
46	4.60	1.65	4.41	1.68	4.70	1.70	4.85	1.71	5.02	1.72	5.37	1.75	5.75	1.77					
2000	2000	2500	6500	125%	10	4.60	1.07	6.48	1.10	6.61	1.13	6.68	1.14	6.76	1.15	6.95	1.18	7.17	1.20
					12	4.60	1.10	6.31	1.13	6.44	1.16	6.52	1.17	6.60	1.18	6.80	1.20	7.03	1.23
					14	4.60	1.13	6.14	1.16	6.28	1.18	6.36	1.20	6.45	1.21	6.66	1.23	6.90	1.26
					16	4.60	1.16	5.97	1.19	6.12	1.21	6.21	1.22	6.31	1.24	6.52	1.26	6.77	1.28
					18	4.60	1.19	5.82	1.21	5.98	1.24	6.07	1.25	6.17	1.27	6.40	1.29	6.65	1.31
					20	4.60	1.22	5.67	1.24	5.84	1.27	5.94	1.28	6.04	1.30	6.28	1.32	6.54	1.34
					21	4.60	1.23	5.60	1.26	5.77	1.29	5.87	1.30	5.98	1.31	6.22	1.33	6.49	1.36
					23	4.60	1.26	5.47	1.29	5.65	1.32	5.75	1.33	5.86	1.34	6.11	1.37	6.39	1.39
					25	4.60	1.30	5.34	1.32	5.53	1.35	5.63	1.36	5.75	1.37	6.01	1.40	6.29	1.42
					27	4.60	1.33	5.21	1.36	5.41	1.38	5.52	1.39	5.64	1.41	5.91	1.43	6.21	1.45
					29	4.60	1.36	5.10	1.39	5.31	1.42	5.42	1.43	5.55	1.44	5.82	1.46	6.13	1.49
					31	4.60	1.40	4.99	1.42	5.21	1.45	5.33	1.46	5.46	1.47	5.74	1.50	6.06	1.52
					33	4.60	1.43	4.89	1.46	5.12	1.49	5.24	1.50	5.38	1.51	5.67	1.53	5.99	1.56
					35	4.60	1.47	4.80	1.50	5.03	1.52	5.20	1.53	5.30	1.55	5.60	1.57	5.94	1.59
					37	4.60	1.51	4.71	1.53	4.95	1.56	5.09	1.57	5.23	1.58	5.54	1.61	5.89	1.63
					39	4.60	1.55	4.63	1.57	4.89	1.60	5.02	1.61	5.17	1.62	5.49	1.64	5.84	1.67
42	4.60	1.60	4.53	1.63	4.79	1.65	4.94	1.67	5.09	1.68	5.43	1.70	5.79	1.72					
44	4.60	1.64	4.47	1.67	4.74	1.69	4.89	1.71	5.05	1.72	5.39	1.74	5.77	1.76					
46	4.60	1.69	4.41	1.71	4.70	1.73	4.85	1.75	5.02	1.76	5.37	1.78	5.75	1.80					

# 12. Capacity Table

## 12-3. AJ052MCJ3EH/EU

### COOLING

Combination (Capacity Index)				Combination (Total)	Combination (%)	Outdoor Temperature (°C, DB)	Indoor Temperature (°C, WB)															
							14		16		18		19		20		22		24			
							TC(kW)	PI(kW)	TC(kW)	PI(kW)	TC(kW)	PI(kW)	TC(kW)	PI(kW)	TC(kW)	PI(kW)	TC(kW)	PI(kW)	TC(kW)	PI(kW)		
2000	2000	3500		7500	144%	10	4.60	1.00	6.48	1.02	6.61	1.05	6.68	1.06	6.76	1.07	6.95	1.09	7.17	1.12		
						12	4.60	1.02	6.31	1.05	6.44	1.07	6.52	1.08	6.60	1.10	6.80	1.12	7.03	1.14		
						14	4.60	1.05	6.14	1.07	6.28	1.10	6.36	1.11	6.45	1.12	6.66	1.14	6.90	1.17		
						16	4.60	1.07	5.97	1.10	6.12	1.12	6.21	1.14	6.31	1.15	6.52	1.17	6.77	1.19		
						18	4.60	1.10	5.82	1.13	5.98	1.15	6.07	1.16	6.17	1.17	6.40	1.20	6.65	1.22		
						20	4.60	1.13	5.67	1.16	5.84	1.18	5.94	1.19	6.04	1.20	6.28	1.22	6.54	1.25		
						21	4.60	1.14	5.60	1.17	5.77	1.19	5.87	1.20	5.98	1.22	6.22	1.24	6.49	1.26		
						23	4.60	1.17	5.47	1.20	5.65	1.22	5.75	1.23	5.86	1.25	6.11	1.27	6.39	1.29		
						25	4.60	1.20	5.34	1.23	5.53	1.25	5.63	1.26	5.75	1.27	6.01	1.30	6.29	1.32		
						27	4.60	1.23	5.21	1.26	5.41	1.28	5.52	1.29	5.64	1.31	5.91	1.33	6.21	1.35		
						29	4.60	1.27	5.10	1.29	5.31	1.31	5.42	1.33	5.55	1.34	5.82	1.36	6.13	1.38		
						31	4.60	1.30	4.99	1.32	5.21	1.35	5.33	1.36	5.46	1.37	5.74	1.39	6.06	1.41		
						33	4.60	1.33	4.89	1.36	5.12	1.38	5.24	1.39	5.38	1.40	5.67	1.42	5.99	1.44		
						35	4.60	1.36	4.80	1.39	5.03	1.41	5.20	1.42	5.30	1.43	5.60	1.46	5.94	1.48		
						37	4.60	1.40	4.71	1.42	4.95	1.45	5.09	1.46	5.23	1.47	5.54	1.49	5.89	1.51		
						39	4.60	1.43	4.63	1.46	4.89	1.48	5.02	1.49	5.17	1.50	5.49	1.52	5.84	1.55		
42	4.60	1.49	4.53	1.51	4.79	1.54	4.94	1.55	5.09	1.56	5.43	1.58	5.79	1.60								
44	4.60	1.53	4.47	1.55	4.74	1.57	4.89	1.58	5.05	1.59	5.39	1.62	5.77	1.64								
46	4.60	1.56	4.41	1.59	4.70	1.61	4.85	1.62	5.02	1.63	5.37	1.65	5.75	1.67								
2000	2500	2500		7000	135%	10	4.60	0.98	6.48	1.00	6.61	1.03	6.68	1.04	6.76	1.05	6.95	1.07	7.17	1.09		
						12	4.60	1.00	6.31	1.03	6.44	1.05	6.52	1.06	6.60	1.07	6.80	1.09	7.03	1.12		
						14	4.60	1.03	6.14	1.05	6.28	1.07	6.36	1.09	6.45	1.10	6.66	1.12	6.90	1.14		
						16	4.60	1.05	5.97	1.08	6.12	1.10	6.21	1.11	6.31	1.12	6.52	1.15	6.77	1.17		
						18	4.60	1.08	5.82	1.10	5.98	1.13	6.07	1.14	6.17	1.15	6.40	1.17	6.65	1.19		
						20	4.60	1.11	5.67	1.13	5.84	1.15	5.94	1.17	6.04	1.18	6.28	1.20	6.54	1.22		
						21	4.60	1.12	5.60	1.14	5.77	1.17	5.87	1.18	5.98	1.19	6.22	1.21	6.49	1.23		
						23	4.60	1.15	5.47	1.17	5.65	1.20	5.75	1.21	5.86	1.22	6.11	1.24	6.39	1.26		
						25	4.60	1.18	5.34	1.20	5.53	1.23	5.63	1.24	5.75	1.25	6.01	1.27	6.29	1.29		
						27	4.60	1.21	5.21	1.23	5.41	1.26	5.52	1.27	5.64	1.28	5.91	1.30	6.21	1.32		
						29	4.60	1.24	5.10	1.26	5.31	1.29	5.42	1.30	5.55	1.31	5.82	1.33	6.13	1.35		
						31	4.60	1.27	4.99	1.29	5.21	1.32	5.33	1.33	5.46	1.34	5.74	1.36	6.06	1.38		
						33	4.60	1.30	4.89	1.33	5.12	1.35	5.24	1.36	5.38	1.37	5.67	1.39	5.99	1.41		
						35	4.60	1.34	4.80	1.36	5.03	1.38	5.20	1.39	5.30	1.40	5.60	1.43	5.94	1.45		
						37	4.60	1.37	4.71	1.39	4.95	1.42	5.09	1.43	5.23	1.44	5.54	1.46	5.89	1.48		
						39	4.60	1.40	4.63	1.43	4.89	1.45	5.02	1.46	5.17	1.47	5.49	1.49	5.84	1.51		
42	4.60	1.46	4.53	1.48	4.79	1.50	4.94	1.51	5.09	1.52	5.43	1.55	5.79	1.57								
44	4.60	1.49	4.47	1.52	4.74	1.54	4.89	1.55	5.05	1.56	5.39	1.58	5.77	1.60								
46	4.60	1.53	4.41	1.55	4.70	1.58	4.85	1.59	5.02	1.60	5.37	1.62	5.75	1.64								

# 12. Capacity Table

## 12-3. AJ052MCJ3EH/EU

### COOLING

Combination (Capacity Index)			Combination (Total)	Combination (%)	Outdoor Temperature (°C, DB)	Indoor Temperature (°C, WB)													
						14		16		18		19		20		22		24	
						TC(kW)	PI(kW)	TC(kW)	PI(kW)	TC(kW)	PI(kW)	TC(kW)	PI(kW)	TC(kW)	PI(kW)	TC(kW)	PI(kW)	TC(kW)	PI(kW)
2000	2500	3500	8000	154%	10	5.85	1.00	6.08	1.02	6.31	1.04	6.43	1.05	6.55	1.06	6.79	1.08	7.03	1.10
					12	5.75	1.02	5.98	1.04	6.21	1.07	6.33	1.08	6.45	1.09	6.69	1.11	6.93	1.13
					14	5.64	1.05	5.87	1.07	6.11	1.09	6.23	1.10	6.35	1.11	6.59	1.14	6.83	1.16
					16	5.54	1.08	5.77	1.10	6.01	1.12	6.13	1.13	6.25	1.14	6.49	1.16	6.73	1.19
					18	5.44	1.11	5.67	1.13	5.91	1.15	6.03	1.16	6.15	1.17	6.39	1.19	6.63	1.22
					20	5.34	1.13	5.57	1.16	5.81	1.18	5.93	1.19	6.05	1.20	6.29	1.22	6.54	1.24
					21	5.29	1.15	5.52	1.17	5.76	1.19	5.88	1.20	6.00	1.22	6.24	1.24	6.49	1.26
					23	5.19	1.18	5.42	1.20	5.66	1.22	5.78	1.23	5.90	1.25	6.14	1.27	6.39	1.29
					25	5.09	1.21	5.32	1.23	5.56	1.25	5.68	1.26	5.80	1.28	6.04	1.30	6.29	1.32
					27	4.99	1.24	5.23	1.26	5.46	1.28	5.58	1.30	5.70	1.31	5.95	1.33	6.19	1.35
					29	4.89	1.27	5.13	1.29	5.36	1.32	5.48	1.33	5.60	1.34	5.85	1.36	6.10	1.38
					31	4.79	1.30	5.03	1.32	5.27	1.35	5.39	1.36	5.51	1.37	5.75	1.39	6.00	1.41
					33	4.69	1.33	4.93	1.36	5.17	1.38	5.29	1.39	5.41	1.40	5.65	1.42	5.90	1.45
					35	4.60	1.37	4.83	1.39	5.07	1.41	5.20	1.42	5.31	1.43	5.56	1.46	5.81	1.48
					37	4.50	1.40	4.73	1.42	4.97	1.44	5.09	1.46	5.22	1.47	5.46	1.49	5.71	1.51
					39	4.40	1.43	4.64	1.46	4.88	1.48	5.00	1.49	5.12	1.50	5.36	1.52	5.61	1.55
42	4.25	1.48	4.49	1.51	4.73	1.53	4.85	1.54	4.97	1.55	5.22	1.58	5.47	1.60					
44	4.16	1.52	4.39	1.54	4.63	1.56	4.76	1.58	4.88	1.59	5.13	1.61	5.38	1.64					
46	4.06	1.55	4.30	1.58	4.54	1.60	4.66	1.61	4.78	1.62	5.03	1.65	5.28	1.67					
2500	2500	2500	7500	144%	10	5.85	0.95	6.08	0.97	6.31	0.99	6.43	1.00	6.55	1.01	6.79	1.03	7.03	1.05
					12	5.75	0.97	5.98	0.99	6.21	1.01	6.33	1.02	6.45	1.03	6.69	1.05	6.93	1.07
					14	5.64	1.00	5.87	1.02	6.11	1.04	6.23	1.05	6.35	1.06	6.59	1.08	6.83	1.10
					16	5.54	1.02	5.77	1.05	6.01	1.07	6.13	1.08	6.25	1.09	6.49	1.11	6.73	1.13
					18	5.44	1.05	5.67	1.07	5.91	1.09	6.03	1.10	6.15	1.11	6.39	1.13	6.63	1.16
					20	5.34	1.08	5.57	1.10	5.81	1.12	5.93	1.13	6.05	1.14	6.29	1.16	6.54	1.18
					21	5.29	1.09	5.52	1.11	5.76	1.13	5.88	1.14	6.00	1.16	6.24	1.18	6.49	1.20
					23	5.19	1.12	5.42	1.14	5.66	1.16	5.78	1.17	5.90	1.18	6.14	1.20	6.39	1.23
					25	5.09	1.15	5.32	1.17	5.56	1.19	5.68	1.20	5.80	1.21	6.04	1.23	6.29	1.25
					27	4.99	1.18	5.23	1.20	5.46	1.22	5.58	1.23	5.70	1.24	5.95	1.26	6.19	1.28
					29	4.89	1.21	5.13	1.23	5.36	1.25	5.48	1.26	5.60	1.27	5.85	1.29	6.10	1.31
					31	4.79	1.24	5.03	1.26	5.27	1.28	5.39	1.29	5.51	1.30	5.75	1.32	6.00	1.35
					33	4.69	1.27	4.93	1.29	5.17	1.31	5.29	1.32	5.41	1.33	5.65	1.35	5.90	1.38
					35	4.60	1.30	4.83	1.32	5.07	1.34	5.20	1.35	5.31	1.36	5.56	1.39	5.81	1.41
					37	4.50	1.33	4.73	1.35	4.97	1.37	5.09	1.38	5.22	1.40	5.46	1.42	5.71	1.44
					39	4.40	1.36	4.64	1.38	4.88	1.41	5.00	1.42	5.12	1.43	5.36	1.45	5.61	1.47
42	4.25	1.41	4.49	1.43	4.73	1.45	4.85	1.47	4.97	1.48	5.22	1.50	5.47	1.52					
44	4.16	1.44	4.39	1.47	4.63	1.49	4.76	1.50	4.88	1.51	5.13	1.53	5.38	1.56					
46	4.06	1.48	4.30	1.50	4.54	1.52	4.66	1.53	4.78	1.54	5.03	1.57	5.28	1.59					

# 12. Capacity Table

## 12-3. AJ052MCJ3EH/EU

### COOLING

Combination (Capacity Index)				Combination (Total)	Combination (%)	Outdoor Temperature (°C, DB)	Indoor Temperature (°C, WB)													
							14		16		18		19		20		22		24	
							TC(kW)	PI(kW)	TC(kW)	PI(kW)	TC(kW)	PI(kW)	TC(kW)	PI(kW)	TC(kW)	PI(kW)	TC(kW)	PI(kW)	TC(kW)	PI(kW)
2500	2500	3500		8500	163%	10	5.85	0.95	6.08	0.97	6.31	0.99	6.43	1.00	6.55	1.01	6.79	1.03	7.03	1.05
						12	5.75	0.97	5.98	0.99	6.21	1.01	6.33	1.02	6.45	1.03	6.69	1.05	6.93	1.07
						14	5.64	1.00	5.87	1.02	6.11	1.04	6.23	1.05	6.35	1.06	6.59	1.08	6.83	1.10
						16	5.54	1.02	5.77	1.05	6.01	1.07	6.13	1.08	6.25	1.09	6.49	1.11	6.73	1.13
						18	5.44	1.05	5.67	1.07	5.91	1.09	6.03	1.10	6.15	1.11	6.39	1.13	6.63	1.16
						20	5.34	1.08	5.57	1.10	5.81	1.12	5.93	1.13	6.05	1.14	6.29	1.16	6.54	1.18
						21	5.29	1.09	5.52	1.11	5.76	1.13	5.88	1.14	6.00	1.16	6.24	1.18	6.49	1.20
						23	5.19	1.12	5.42	1.14	5.66	1.16	5.78	1.17	5.90	1.18	6.14	1.20	6.39	1.23
						25	5.09	1.15	5.32	1.17	5.56	1.19	5.68	1.20	5.80	1.21	6.04	1.23	6.29	1.25
						27	4.99	1.18	5.23	1.20	5.46	1.22	5.58	1.23	5.70	1.24	5.95	1.26	6.19	1.28
						29	4.89	1.21	5.13	1.23	5.36	1.25	5.48	1.26	5.60	1.27	5.85	1.29	6.10	1.31
						31	4.79	1.24	5.03	1.26	5.27	1.28	5.39	1.29	5.51	1.30	5.75	1.32	6.00	1.35
						33	4.69	1.27	4.93	1.29	5.17	1.31	5.29	1.32	5.41	1.33	5.65	1.35	5.90	1.38
						35	4.60	1.30	4.83	1.32	5.07	1.34	5.20	1.35	5.31	1.36	5.56	1.39	5.81	1.41
						37	4.50	1.33	4.73	1.35	4.97	1.37	5.09	1.38	5.22	1.40	5.46	1.42	5.71	1.44
						39	4.40	1.36	4.64	1.38	4.88	1.41	5.00	1.42	5.12	1.43	5.36	1.45	5.61	1.47
42	4.25	1.41	4.49	1.43	4.73	1.45	4.85	1.47	4.97	1.48	5.22	1.50	5.47	1.52						
44	4.16	1.44	4.39	1.47	4.63	1.49	4.76	1.50	4.88	1.51	5.13	1.53	5.38	1.56						
46	4.06	1.48	4.30	1.50	4.54	1.52	4.66	1.53	4.78	1.54	5.03	1.57	5.28	1.59						

### NOTE

- Cooling capacity is based on 27°CDB / 19°CWB (indoor temperature), 35°CDB (outdoor temperature).
- Heating capacity is based on 20°CDB (indoor temperature), 7°CDB/6°CWB (outdoor temperature).
- The above is the value for connecting with the following indoor units.
  - 2000, 2500, 3500, 5000W class: Wall Mounted [except A3050 Better series]
- Capacities are based on the following conditions:
  - Corresponding refrigerant piping length : 5m / - Level difference : 0m
- The total ability of connected a indoor unit is up to 8.0kW
- It is impossible to connect the indoor unit for one room only.
- This data is reference data for temperature capacity trend.

# 12. Capacity Table

## 12-3. AJ052MCJ3EH/EU

### COOLING

Combination (Capacity Index)				Combination (Total)	Combination (%)	Outdoor Temperature (°C, DB)	Indoor Temperature (°C, WB)															
							14		16		18		19		20		22		24			
							TC(kW)	PI(kW)	TC(kW)	PI(kW)	TC(kW)	PI(kW)	TC(kW)	PI(kW)	TC(kW)	PI(kW)	TC(kW)	PI(kW)	TC(kW)	PI(kW)		
2000				2000	38%	10	1.60	0.36	2.32	0.41	2.42	0.44	2.46	0.46	2.51	0.47	2.61	0.49	2.71	0.51		
						12	1.60	0.38	2.28	0.42	2.38	0.45	2.43	0.47	2.48	0.48	2.57	0.50	2.67	0.52		
						14	1.60	0.40	2.24	0.44	2.34	0.47	2.39	0.48	2.44	0.50	2.53	0.52	2.63	0.53		
						16	1.60	0.41	2.21	0.45	2.30	0.48	2.35	0.50	2.40	0.51	2.50	0.53	2.59	0.54		
						18	1.60	0.43	2.17	0.47	2.27	0.50	2.31	0.51	2.36	0.52	2.46	0.54	2.55	0.55		
						20	1.60	0.45	2.13	0.48	2.23	0.51	2.28	0.52	2.32	0.53	2.42	0.55	2.52	0.56		
						21	1.60	0.46	2.12	0.49	2.21	0.52	2.26	0.53	2.30	0.54	2.40	0.56	2.50	0.57		
						23	1.60	0.48	2.08	0.51	2.17	0.53	2.22	0.55	2.27	0.56	2.36	0.57	2.46	0.58		
						25	1.60	0.49	2.04	0.53	2.14	0.55	2.18	0.56	2.23	0.57	2.32	0.58	2.42	0.59		
						27	1.60	0.51	2.01	0.54	2.10	0.57	2.15	0.58	2.19	0.58	2.29	0.60	2.38	0.60		
						29	1.60	0.53	1.97	0.56	2.06	0.58	2.11	0.59	2.16	0.60	2.25	0.61	2.34	0.61		
						31	1.60	0.55	1.94	0.58	2.03	0.60	2.07	0.61	2.12	0.61	2.21	0.62	2.30	0.62		
						33	1.60	0.57	1.90	0.60	1.99	0.61	2.04	0.62	2.08	0.63	2.17	0.64	2.27	0.64		
						35	1.60	0.59	1.86	0.61	1.95	0.63	2.00	0.63	2.04	0.64	2.14	0.65	2.23	0.65		
						37	1.60	0.61	1.83	0.63	1.92	0.65	1.96	0.65	2.01	0.66	2.10	0.66	2.19	0.66		
						39	1.60	0.63	1.79	0.65	1.88	0.67	1.93	0.67	1.97	0.68	2.06	0.68	2.15	0.68		
42	1.58	0.66	1.74	0.68	1.83	0.69	1.87	0.70	1.92	0.70	2.01	0.70	2.10	0.70								
44	1.50	0.68	1.71	0.70	1.79	0.71	1.84	0.71	1.88	0.72	1.97	0.72	2.06	0.71								
46	1.46	0.70	1.67	0.72	1.76	0.73	1.80	0.73	1.84	0.73	1.93	0.73	2.02	0.72								
2500				2500	48%	10	2.00	0.46	2.90	0.51	3.02	0.55	3.08	0.57	3.14	0.59	3.26	0.62	3.39	0.64		
						12	2.00	0.48	2.85	0.53	2.97	0.57	3.03	0.59	3.09	0.60	3.22	0.63	3.34	0.65		
						14	2.00	0.50	2.80	0.55	2.93	0.59	2.99	0.61	3.05	0.62	3.17	0.65	3.29	0.66		
						16	2.00	0.52	2.76	0.57	2.88	0.61	2.94	0.62	3.00	0.64	3.12	0.66	3.24	0.68		
						18	2.00	0.54	2.71	0.59	2.83	0.62	2.89	0.64	2.95	0.65	3.07	0.68	3.19	0.69		
						20	2.00	0.56	2.67	0.61	2.79	0.64	2.85	0.66	2.90	0.67	3.02	0.69	3.14	0.70		
						21	2.00	0.58	2.64	0.62	2.76	0.65	2.82	0.67	2.88	0.68	3.00	0.70	3.12	0.71		
						23	2.00	0.60	2.60	0.64	2.72	0.67	2.78	0.68	2.83	0.70	2.95	0.71	3.07	0.72		
						25	2.00	0.62	2.55	0.66	2.67	0.69	2.73	0.70	2.79	0.71	2.91	0.73	3.02	0.74		
						27	2.00	0.64	2.51	0.68	2.62	0.71	2.68	0.72	2.74	0.73	2.86	0.75	2.98	0.75		
						29	2.00	0.67	2.46	0.70	2.58	0.73	2.64	0.74	2.69	0.75	2.81	0.76	2.93	0.77		
						31	2.00	0.69	2.42	0.72	2.53	0.75	2.59	0.76	2.65	0.77	2.76	0.78	2.88	0.78		
						33	2.00	0.71	2.37	0.75	2.49	0.77	2.54	0.78	2.60	0.79	2.72	0.80	2.83	0.80		
						35	2.00	0.74	2.33	0.77	2.44	0.79	2.50	0.79	2.56	0.81	2.67	0.81	2.78	0.82		
						37	2.00	0.76	2.29	0.79	2.40	0.81	2.45	0.82	2.51	0.83	2.62	0.83	2.74	0.83		
						39	2.00	0.79	2.24	0.82	2.35	0.84	2.41	0.84	2.46	0.85	2.58	0.85	2.69	0.85		
42	1.98	0.83	2.18	0.85	2.29	0.87	2.34	0.87	2.40	0.88	2.51	0.88	2.62	0.87								
44	1.88	0.85	2.13	0.88	2.24	0.89	2.30	0.90	2.35	0.90	2.46	0.90	2.57	0.89								
46	1.83	0.88	2.09	0.90	2.20	0.91	2.25	0.92	2.30	0.92	2.41	0.92	2.53	0.91								



# 12. Capacity Table

## 12-3. AJ052MCJ3EH/EU

### COOLING

Combination (Capacity Index)				Combination (Total)	Combination (%)	Outdoor Temperature (°C, DB)	Indoor Temperature (°C, WB)															
							14		16		18		19		20		22		24			
							TC(kW)	PI(kW)	TC(kW)	PI(kW)	TC(kW)	PI(kW)	TC(kW)	PI(kW)	TC(kW)	PI(kW)	TC(kW)	PI(kW)	TC(kW)	PI(kW)		
3500				3500	67%	10	2.80	0.67	4.06	0.74	4.23	0.80	4.31	0.83	4.40	0.86	4.57	0.90	4.74	0.93		
						12	2.80	0.70	3.99	0.77	4.16	0.83	4.25	0.86	4.33	0.88	4.50	0.92	4.68	0.95		
						14	2.80	0.73	3.93	0.80	4.10	0.86	4.18	0.88	4.26	0.90	4.44	0.94	4.61	0.97		
						16	2.80	0.76	3.86	0.82	4.03	0.88	4.11	0.91	4.20	0.93	4.37	0.96	4.54	0.99		
						18	2.80	0.79	3.80	0.85	3.96	0.91	4.05	0.93	4.13	0.95	4.30	0.98	4.47	1.00		
						20	2.80	0.82	3.73	0.88	3.90	0.94	3.98	0.96	4.07	0.98	4.23	1.01	4.40	1.02		
						21	2.80	0.84	3.70	0.90	3.87	0.95	3.95	0.97	4.03	0.99	4.20	1.02	4.37	1.03		
						23	2.80	0.87	3.64	0.93	3.80	0.98	3.89	1.00	3.97	1.01	4.13	1.04	4.30	1.05		
						25	2.80	0.90	3.58	0.96	3.74	1.00	3.82	1.02	3.90	1.04	4.07	1.06	4.23	1.08		
						27	2.80	0.94	3.51	0.99	3.67	1.03	3.76	1.05	3.84	1.07	4.00	1.09	4.17	1.10		
						29	2.80	0.97	3.45	1.02	3.61	1.06	3.69	1.08	3.77	1.09	3.93	1.11	4.10	1.12		
						31	2.80	1.01	3.39	1.05	3.55	1.09	3.63	1.11	3.71	1.12	3.87	1.14	4.03	1.14		
						33	2.80	1.04	3.32	1.09	3.48	1.12	3.56	1.14	3.64	1.15	3.80	1.16	3.97	1.16		
						35	2.80	1.08	3.26	1.12	3.42	1.15	3.50	1.15	3.58	1.18	3.74	1.19	3.90	1.19		
						37	2.80	1.11	3.20	1.15	3.36	1.18	3.43	1.20	3.51	1.20	3.67	1.21	3.83	1.21		
						39	2.80	1.15	3.14	1.19	3.29	1.22	3.37	1.23	3.45	1.23	3.61	1.24	3.77	1.23		
42	2.77	1.20	3.05	1.24	3.20	1.26	3.28	1.27	3.35	1.28	3.51	1.28	3.67	1.27								
44	2.63	1.24	2.98	1.27	3.14	1.30	3.21	1.30	3.29	1.31	3.45	1.31	3.60	1.30								
46	2.56	1.28	2.92	1.31	3.07	1.33	3.15	1.34	3.23	1.34	3.38	1.34	3.54	1.32								
5000				5000	96%	10	4.00	0.94	5.79	1.04	6.04	1.13	6.16	1.17	6.28	1.21	6.53	1.27	6.78	1.31		
						12	4.00	0.98	5.70	1.08	5.94	1.17	6.07	1.21	6.19	1.24	6.43	1.30	6.68	1.34		
						14	4.00	1.02	5.61	1.12	5.85	1.21	5.97	1.24	6.09	1.27	6.34	1.33	6.58	1.36		
						16	4.00	1.07	5.52	1.16	5.76	1.24	5.88	1.28	6.00	1.31	6.24	1.36	6.48	1.39		
						18	4.00	1.11	5.43	1.20	5.66	1.28	5.78	1.31	5.90	1.34	6.14	1.39	6.39	1.42		
						20	4.00	1.16	5.34	1.24	5.57	1.32	5.69	1.35	5.81	1.37	6.05	1.42	6.29	1.44		
						21	4.00	1.18	5.29	1.27	5.53	1.34	5.64	1.37	5.76	1.39	6.00	1.43	6.24	1.46		
						23	4.00	1.23	5.20	1.31	5.43	1.38	5.55	1.40	5.67	1.43	5.91	1.46	6.14	1.49		
						25	4.00	1.27	5.11	1.35	5.34	1.42	5.46	1.44	5.57	1.46	5.81	1.50	6.05	1.52		
						27	4.00	1.32	5.02	1.40	5.25	1.46	5.37	1.48	5.48	1.50	5.72	1.53	5.95	1.55		
						29	4.00	1.37	4.93	1.44	5.16	1.50	5.27	1.52	5.39	1.54	5.62	1.56	5.86	1.58		
						31	4.00	1.42	4.84	1.49	5.07	1.54	5.18	1.56	5.30	1.58	5.53	1.60	5.76	1.61		
						33	4.00	1.47	4.75	1.53	4.98	1.58	5.09	1.60	5.20	1.62	5.43	1.64	5.66	1.64		
						35	4.00	1.52	4.66	1.58	4.89	1.62	5.00	1.62	5.11	1.66	5.34	1.67	5.57	1.67		
						37	4.00	1.57	4.57	1.63	4.79	1.67	4.91	1.68	5.02	1.70	5.25	1.71	5.47	1.70		
						39	4.00	1.62	4.48	1.67	4.70	1.71	4.82	1.73	4.93	1.74	5.15	1.75	5.38	1.74		
42	3.95	1.70	4.35	1.75	4.57	1.78	4.68	1.79	4.79	1.80	5.01	1.80	5.24	1.79								
44	3.75	1.75	4.26	1.80	4.48	1.83	4.59	1.84	4.70	1.84	4.92	1.84	5.14	1.83								
46	3.65	1.80	4.18	1.85	4.39	1.87	4.50	1.88	4.61	1.89	4.83	1.88	5.05	1.86								

# 12. Capacity Table

## 12-3. AJ052MCJ3EH/EU

### COOLING

Combination (Capacity Index)				Combination (Total)	Combination (%)	Outdoor Temperature (°C, DB)	Indoor Temperature (°C, WB)															
							14		16		18		19		20		22		24			
							TC(kW)	PI(kW)	TC(kW)	PI(kW)	TC(kW)	PI(kW)	TC(kW)	PI(kW)	TC(kW)	PI(kW)	TC(kW)	PI(kW)	TC(kW)	PI(kW)		
2000	2000			4000	77%	10	3.53	0.87	4.99	0.89	5.08	0.91	5.14	0.92	5.20	0.94	5.35	0.95	5.52	0.97		
						12	3.53	0.89	4.85	0.91	4.95	0.94	5.01	0.95	5.08	0.96	5.23	0.98	5.41	1.00		
						14	3.53	0.92	4.72	0.94	4.83	0.96	4.89	0.97	4.96	0.98	5.12	1.00	5.31	1.02		
						16	3.53	0.94	4.60	0.96	4.71	0.98	4.78	0.99	4.85	1.00	5.02	1.02	5.21	1.04		
						18	3.53	0.96	4.48	0.98	4.60	1.01	4.67	1.02	4.75	1.03	4.92	1.04	5.12	1.06		
						20	3.53	0.99	4.36	1.01	4.49	1.03	4.57	1.04	4.65	1.05	4.83	1.07	5.03	1.09		
						21	3.53	1.00	4.31	1.02	4.44	1.04	4.52	1.05	4.60	1.06	4.78	1.08	4.99	1.10		
						23	3.53	1.03	4.20	1.05	4.34	1.07	4.42	1.08	4.51	1.09	4.70	1.11	4.91	1.13		
						25	3.53	1.05	4.10	1.07	4.25	1.09	4.33	1.10	4.42	1.11	4.62	1.13	4.84	1.15		
						27	3.53	1.08	4.01	1.10	4.16	1.12	4.25	1.13	4.34	1.14	4.55	1.16	4.78	1.18		
						29	3.53	1.11	3.92	1.13	4.08	1.15	4.17	1.16	4.27	1.17	4.48	1.19	4.72	1.20		
						31	3.53	1.13	3.84	1.15	4.01	1.18	4.10	1.19	4.20	1.19	4.42	1.21	4.66	1.23		
						33	3.53	1.16	3.76	1.18	3.94	1.20	4.03	1.21	4.13	1.22	4.36	1.24	4.61	1.26		
						35	3.53	1.19	3.69	1.21	3.87	1.23	4.00	1.24	4.08	1.25	4.31	1.27	4.57	1.29		
						37	3.53	1.22	3.62	1.24	3.81	1.26	3.91	1.27	4.02	1.28	4.26	1.30	4.53	1.32		
						39	3.53	1.25	3.56	1.27	3.76	1.29	3.86	1.30	3.98	1.31	4.22	1.33	4.49	1.35		
						42	3.53	1.30	3.48	1.32	3.69	1.34	3.80	1.35	3.92	1.36	4.17	1.38	4.46	1.40		
44	3.53	1.33	3.44	1.35	3.65	1.37	3.76	1.38	3.89	1.39	4.15	1.41	4.44	1.43								
46	3.53	1.37	3.39	1.39	3.61	1.41	3.73	1.42	3.86	1.43	4.13	1.44	4.42	1.46								
2000	2500			4500	87%	10	4.07	0.99	5.73	1.02	5.84	1.04	5.91	1.05	5.98	1.06	6.15	1.09	6.34	1.11		
						12	4.07	1.02	5.58	1.04	5.69	1.06	5.76	1.08	5.84	1.09	6.02	1.11	6.22	1.13		
						14	4.07	1.04	5.43	1.07	5.55	1.09	5.63	1.10	5.71	1.11	5.89	1.14	6.10	1.16		
						16	4.07	1.07	5.29	1.09	5.42	1.12	5.50	1.13	5.58	1.14	5.77	1.16	5.99	1.18		
						18	4.07	1.09	5.15	1.12	5.29	1.14	5.37	1.15	5.46	1.17	5.66	1.19	5.89	1.21		
						20	4.07	1.12	5.02	1.15	5.17	1.17	5.25	1.18	5.34	1.19	5.55	1.22	5.79	1.24		
						21	4.07	1.14	4.96	1.16	5.11	1.18	5.19	1.20	5.29	1.21	5.50	1.23	5.74	1.25		
						23	4.07	1.17	4.83	1.19	4.99	1.21	5.09	1.23	5.18	1.24	5.40	1.26	5.65	1.28		
						25	4.07	1.20	4.72	1.22	4.89	1.24	4.98	1.25	5.09	1.27	5.31	1.29	5.57	1.31		
						27	4.07	1.23	4.61	1.25	4.79	1.27	4.89	1.28	4.99	1.30	5.23	1.32	5.49	1.34		
						29	4.07	1.26	4.51	1.28	4.69	1.30	4.80	1.32	4.91	1.33	5.15	1.35	5.42	1.37		
						31	4.07	1.29	4.42	1.31	4.61	1.34	4.71	1.35	4.83	1.36	5.08	1.38	5.36	1.40		
						33	4.07	1.32	4.33	1.35	4.53	1.37	4.64	1.38	4.76	1.39	5.01	1.41	5.30	1.43		
						35	4.07	1.36	4.24	1.38	4.45	1.40	4.60	1.41	4.69	1.42	4.96	1.45	5.25	1.47		
						37	4.07	1.39	4.17	1.41	4.38	1.44	4.50	1.45	4.63	1.46	4.90	1.48	5.21	1.50		
						39	4.07	1.42	4.10	1.45	4.32	1.47	4.44	1.48	4.57	1.49	4.86	1.51	5.17	1.53		
						42	4.07	1.48	4.01	1.50	4.24	1.52	4.37	1.54	4.51	1.55	4.80	1.57	5.12	1.59		
44	4.07	1.52	3.95	1.54	4.20	1.56	4.33	1.57	4.47	1.58	4.77	1.60	5.10	1.62								
46	4.07	1.55	3.90	1.58	4.16	1.60	4.29	1.61	4.44	1.62	4.75	1.64	5.09	1.66								

# 12. Capacity Table

## 12-3. AJ052MCJ3EH/EU

### COOLING

Combination (Capacity Index)				Combination (Total)	Combination (%)	Outdoor Temperature (°C, DB)	Indoor Temperature (°C, WB)															
							14		16		18		19		20		22		24			
							TC(kW)	PI(kW)	TC(kW)	PI(kW)	TC(kW)	PI(kW)	TC(kW)	PI(kW)	TC(kW)	PI(kW)	TC(kW)	PI(kW)	TC(kW)	PI(kW)		
2000	3500			5500	106%	10	4.42	1.07	6.23	1.09	6.35	1.12	6.42	1.13	6.50	1.15	6.68	1.17	6.90	1.19		
						12	4.42	1.09	6.06	1.12	6.19	1.15	6.27	1.16	6.35	1.17	6.54	1.20	6.76	1.22		
						14	4.42	1.12	5.90	1.15	6.04	1.17	6.12	1.19	6.20	1.20	6.40	1.22	6.63	1.25		
						16	4.42	1.15	5.75	1.18	5.89	1.20	5.97	1.22	6.06	1.23	6.27	1.25	6.51	1.28		
						18	4.42	1.18	5.60	1.21	5.75	1.23	5.84	1.24	5.93	1.26	6.15	1.28	6.40	1.30		
						20	4.42	1.21	5.45	1.24	5.62	1.26	5.71	1.27	5.81	1.29	6.03	1.31	6.29	1.33		
						21	4.42	1.23	5.39	1.25	5.55	1.28	5.65	1.29	5.75	1.30	5.98	1.33	6.24	1.35		
						23	4.42	1.26	5.25	1.28	5.43	1.31	5.53	1.32	5.63	1.33	5.87	1.36	6.14	1.38		
						25	4.42	1.29	5.13	1.31	5.31	1.34	5.42	1.35	5.53	1.36	5.77	1.39	6.05	1.41		
						27	4.42	1.32	5.01	1.35	5.20	1.37	5.31	1.39	5.43	1.40	5.68	1.42	5.97	1.44		
						29	4.42	1.36	4.90	1.38	5.10	1.41	5.21	1.42	5.33	1.43	5.60	1.45	5.89	1.48		
						31	4.42	1.39	4.80	1.42	5.01	1.44	5.12	1.45	5.25	1.46	5.52	1.49	5.82	1.51		
						33	4.42	1.42	4.70	1.45	4.92	1.48	5.04	1.49	5.17	1.50	5.45	1.52	5.76	1.55		
						35	4.42	1.46	4.61	1.49	4.84	1.51	5.00	1.52	5.10	1.54	5.39	1.56	5.71	1.58		
						37	4.42	1.50	4.53	1.52	4.76	1.55	4.89	1.56	5.03	1.57	5.33	1.60	5.66	1.62		
						39	4.42	1.54	4.45	1.56	4.70	1.59	4.83	1.60	4.97	1.61	5.28	1.63	5.62	1.65		
42	4.42	1.59	4.35	1.62	4.61	1.64	4.75	1.66	4.90	1.67	5.22	1.69	5.57	1.71								
44	4.42	1.63	4.30	1.66	4.56	1.68	4.70	1.70	4.86	1.71	5.18	1.73	5.55	1.75								
46	4.42	1.67	4.24	1.70	4.52	1.72	4.67	1.74	4.82	1.75	5.16	1.77	5.53	1.79								
2000	5000			7000	135%	10	4.60	1.08	6.48	1.11	6.61	1.14	6.68	1.15	6.76	1.16	6.95	1.19	7.17	1.21		
						12	4.60	1.11	6.31	1.14	6.44	1.16	6.52	1.18	6.60	1.19	6.80	1.21	7.03	1.24		
						14	4.60	1.14	6.14	1.16	6.28	1.19	6.36	1.20	6.45	1.22	6.66	1.24	6.90	1.26		
						16	4.60	1.17	5.97	1.19	6.12	1.22	6.21	1.23	6.31	1.24	6.52	1.27	6.77	1.29		
						18	4.60	1.20	5.82	1.22	5.98	1.25	6.07	1.26	6.17	1.27	6.40	1.30	6.65	1.32		
						20	4.60	1.23	5.67	1.25	5.84	1.28	5.94	1.29	6.04	1.30	6.28	1.33	6.54	1.35		
						21	4.60	1.24	5.60	1.27	5.77	1.29	5.87	1.31	5.98	1.32	6.22	1.34	6.49	1.37		
						23	4.60	1.27	5.47	1.30	5.65	1.33	5.75	1.34	5.86	1.35	6.11	1.37	6.39	1.40		
						25	4.60	1.31	5.34	1.33	5.53	1.36	5.63	1.37	5.75	1.38	6.01	1.41	6.29	1.43		
						27	4.60	1.34	5.21	1.37	5.41	1.39	5.52	1.40	5.64	1.42	5.91	1.44	6.21	1.46		
						29	4.60	1.37	5.10	1.40	5.31	1.42	5.42	1.44	5.55	1.45	5.82	1.47	6.13	1.50		
						31	4.60	1.41	4.99	1.43	5.21	1.46	5.33	1.47	5.46	1.48	5.74	1.51	6.06	1.53		
						33	4.60	1.44	4.89	1.47	5.12	1.50	5.24	1.51	5.38	1.52	5.67	1.54	5.99	1.57		
						35	4.60	1.48	4.80	1.51	5.03	1.53	5.20	1.54	5.30	1.56	5.60	1.58	5.94	1.60		
						37	4.60	1.52	4.71	1.54	4.95	1.57	5.09	1.58	5.23	1.59	5.54	1.62	5.89	1.64		
						39	4.60	1.56	4.63	1.58	4.89	1.61	5.02	1.62	5.17	1.63	5.49	1.65	5.84	1.68		
42	4.60	1.61	4.53	1.64	4.79	1.67	4.94	1.68	5.09	1.69	5.43	1.71	5.79	1.73								
44	4.60	1.66	4.47	1.68	4.74	1.71	4.89	1.72	5.05	1.73	5.39	1.75	5.77	1.77								
46	4.60	1.70	4.41	1.72	4.70	1.75	4.85	1.76	5.02	1.77	5.37	1.79	5.75	1.81								

# 12. Capacity Table

## 12-3. AJ052MCJ3EH/EU

### COOLING

Combination (Capacity Index)				Combination (Total)	Combination (%)	Outdoor Temperature (°C, DB)	Indoor Temperature (°C, WB)													
							14		16		18		19		20		22		24	
							TC(kW)	PI(kW)	TC(kW)	PI(kW)	TC(kW)	PI(kW)	TC(kW)	PI(kW)	TC(kW)	PI(kW)	TC(kW)	PI(kW)	TC(kW)	PI(kW)
2500	2500			5000	96%	10	4.42	1.03	6.23	1.06	6.35	1.08	6.42	1.10	6.50	1.11	6.68	1.13	6.90	1.15
						12	4.42	1.06	6.06	1.08	6.19	1.11	6.27	1.12	6.35	1.13	6.54	1.16	6.76	1.18
						14	4.42	1.09	5.90	1.11	6.04	1.14	6.12	1.15	6.20	1.16	6.40	1.18	6.63	1.21
						16	4.42	1.11	5.75	1.14	5.89	1.16	5.97	1.18	6.06	1.19	6.27	1.21	6.51	1.23
						18	4.42	1.14	5.60	1.17	5.75	1.19	5.84	1.20	5.93	1.22	6.15	1.24	6.40	1.26
						20	4.42	1.17	5.45	1.20	5.62	1.22	5.71	1.23	5.81	1.24	6.03	1.27	6.29	1.29
						21	4.42	1.18	5.39	1.21	5.55	1.24	5.65	1.25	5.75	1.26	5.98	1.28	6.24	1.30
						23	4.42	1.22	5.25	1.24	5.43	1.27	5.53	1.28	5.63	1.29	5.87	1.31	6.14	1.33
						25	4.42	1.25	5.13	1.27	5.31	1.30	5.42	1.31	5.53	1.32	5.77	1.34	6.05	1.36
						27	4.42	1.28	5.01	1.30	5.20	1.33	5.31	1.34	5.43	1.35	5.68	1.37	5.97	1.40
						29	4.42	1.31	4.90	1.34	5.10	1.36	5.21	1.37	5.33	1.38	5.60	1.41	5.89	1.43
						31	4.42	1.34	4.80	1.37	5.01	1.39	5.12	1.41	5.25	1.42	5.52	1.44	5.82	1.46
						33	4.42	1.38	4.70	1.40	4.92	1.43	5.04	1.44	5.17	1.45	5.45	1.47	5.76	1.49
						35	4.42	1.41	4.61	1.44	4.84	1.46	5.00	1.47	5.10	1.49	5.39	1.51	5.71	1.53
						37	4.42	1.45	4.53	1.47	4.76	1.50	4.89	1.51	5.03	1.52	5.33	1.54	5.66	1.56
						39	4.42	1.49	4.45	1.51	4.70	1.53	4.83	1.55	4.97	1.56	5.28	1.58	5.62	1.60
42	4.42	1.54	4.35	1.57	4.61	1.59	4.75	1.60	4.90	1.61	5.22	1.63	5.57	1.66						
44	4.42	1.58	4.30	1.60	4.56	1.63	4.70	1.64	4.86	1.65	5.18	1.67	5.55	1.69						
46	4.42	1.62	4.24	1.64	4.52	1.67	4.67	1.68	4.82	1.69	5.16	1.71	5.53	1.73						
2500	3500			6000	115%	10	4.42	1.06	6.23	1.09	6.35	1.11	6.42	1.13	6.50	1.14	6.68	1.16	6.90	1.19
						12	4.42	1.09	6.06	1.11	6.19	1.14	6.27	1.15	6.35	1.16	6.54	1.19	6.76	1.21
						14	4.42	1.11	5.90	1.14	6.04	1.17	6.12	1.18	6.20	1.19	6.40	1.22	6.63	1.24
						16	4.42	1.14	5.75	1.17	5.89	1.20	5.97	1.21	6.06	1.22	6.27	1.24	6.51	1.27
						18	4.42	1.17	5.60	1.20	5.75	1.22	5.84	1.24	5.93	1.25	6.15	1.27	6.40	1.30
						20	4.42	1.20	5.45	1.23	5.62	1.25	5.71	1.27	5.81	1.28	6.03	1.30	6.29	1.32
						21	4.42	1.22	5.39	1.24	5.55	1.27	5.65	1.28	5.75	1.29	5.98	1.32	6.24	1.34
						23	4.42	1.25	5.25	1.27	5.43	1.30	5.53	1.31	5.63	1.32	5.87	1.35	6.14	1.37
						25	4.42	1.28	5.13	1.31	5.31	1.33	5.42	1.34	5.53	1.36	5.77	1.38	6.05	1.40
						27	4.42	1.31	5.01	1.34	5.20	1.36	5.31	1.38	5.43	1.39	5.68	1.41	5.97	1.43
						29	4.42	1.35	4.90	1.37	5.10	1.40	5.21	1.41	5.33	1.42	5.60	1.44	5.89	1.47
						31	4.42	1.38	4.80	1.41	5.01	1.43	5.12	1.44	5.25	1.46	5.52	1.48	5.82	1.50
						33	4.42	1.42	4.70	1.44	4.92	1.47	5.04	1.48	5.17	1.49	5.45	1.51	5.76	1.53
						35	4.42	1.45	4.61	1.48	4.84	1.50	5.00	1.51	5.10	1.53	5.39	1.55	5.71	1.57
						37	4.42	1.49	4.53	1.51	4.76	1.54	4.89	1.55	5.03	1.56	5.33	1.58	5.66	1.61
						39	4.42	1.53	4.45	1.55	4.70	1.58	4.83	1.59	4.97	1.60	5.28	1.62	5.62	1.64
42	4.42	1.58	4.35	1.61	4.61	1.63	4.75	1.64	4.90	1.66	5.22	1.68	5.57	1.70						
44	4.42	1.62	4.30	1.65	4.56	1.67	4.70	1.68	4.86	1.70	5.18	1.72	5.55	1.74						
46	4.42	1.66	4.24	1.69	4.52	1.71	4.67	1.72	4.82	1.74	5.16	1.76	5.53	1.78						

# 12. Capacity Table

## 12-3. AJ052MCJ3EH/EU

### COOLING

Combination (Capacity Index)				Combination (Total)	Combination (%)	Outdoor Temperature (°C, DB)	Indoor Temperature (°C, WB)															
							14		16		18		19		20		22		24			
							TC(kW)	PI(kW)	TC(kW)	PI(kW)	TC(kW)	PI(kW)	TC(kW)	PI(kW)	TC(kW)	PI(kW)	TC(kW)	PI(kW)	TC(kW)	PI(kW)		
2500	5000			7500	144%	10	4.60	1.08	6.48	1.11	6.61	1.14	6.68	1.15	6.76	1.16	6.95	1.19	7.17	1.21		
						12	4.60	1.11	6.31	1.14	6.44	1.16	6.52	1.18	6.60	1.19	6.80	1.21	7.03	1.24		
						14	4.60	1.14	6.14	1.16	6.28	1.19	6.36	1.20	6.45	1.22	6.66	1.24	6.90	1.26		
						16	4.60	1.17	5.97	1.19	6.12	1.22	6.21	1.23	6.31	1.24	6.52	1.27	6.77	1.29		
						18	4.60	1.20	5.82	1.22	5.98	1.25	6.07	1.26	6.17	1.27	6.40	1.30	6.65	1.32		
						20	4.60	1.23	5.67	1.25	5.84	1.28	5.94	1.29	6.04	1.30	6.28	1.33	6.54	1.35		
						21	4.60	1.24	5.60	1.27	5.77	1.29	5.87	1.31	5.98	1.32	6.22	1.34	6.49	1.37		
						23	4.60	1.27	5.47	1.30	5.65	1.33	5.75	1.34	5.86	1.35	6.11	1.37	6.39	1.40		
						25	4.60	1.31	5.34	1.33	5.53	1.36	5.63	1.37	5.75	1.38	6.01	1.41	6.29	1.43		
						27	4.60	1.34	5.21	1.37	5.41	1.39	5.52	1.40	5.64	1.42	5.91	1.44	6.21	1.46		
						29	4.60	1.37	5.10	1.40	5.31	1.42	5.42	1.44	5.55	1.45	5.82	1.47	6.13	1.50		
						31	4.60	1.41	4.99	1.43	5.21	1.46	5.33	1.47	5.46	1.48	5.74	1.51	6.06	1.53		
						33	4.60	1.44	4.89	1.47	5.12	1.50	5.24	1.51	5.38	1.52	5.67	1.54	5.99	1.57		
						35	4.60	1.48	4.80	1.51	5.03	1.53	5.20	1.54	5.30	1.56	5.60	1.58	5.94	1.60		
						37	4.60	1.52	4.71	1.54	4.95	1.57	5.09	1.58	5.23	1.59	5.54	1.62	5.89	1.64		
						39	4.60	1.56	4.63	1.58	4.89	1.61	5.02	1.62	5.17	1.63	5.49	1.65	5.84	1.68		
42	4.60	1.61	4.53	1.64	4.79	1.67	4.94	1.68	5.09	1.69	5.43	1.71	5.79	1.73								
44	4.60	1.66	4.47	1.68	4.74	1.71	4.89	1.72	5.05	1.73	5.39	1.75	5.77	1.77								
46	4.60	1.70	4.41	1.72	4.70	1.75	4.85	1.76	5.02	1.77	5.37	1.79	5.75	1.81								
3500	3500			7000	135%	10	4.60	1.08	6.48	1.11	6.61	1.14	6.68	1.15	6.76	1.16	6.95	1.19	7.17	1.21		
						12	4.60	1.11	6.31	1.14	6.44	1.16	6.52	1.18	6.60	1.19	6.80	1.21	7.03	1.24		
						14	4.60	1.14	6.14	1.16	6.28	1.19	6.36	1.20	6.45	1.22	6.66	1.24	6.90	1.26		
						16	4.60	1.17	5.97	1.19	6.12	1.22	6.21	1.23	6.31	1.24	6.52	1.27	6.77	1.29		
						18	4.60	1.20	5.82	1.22	5.98	1.25	6.07	1.26	6.17	1.27	6.40	1.30	6.65	1.32		
						20	4.60	1.23	5.67	1.25	5.84	1.28	5.94	1.29	6.04	1.30	6.28	1.33	6.54	1.35		
						21	4.60	1.24	5.60	1.27	5.77	1.29	5.87	1.31	5.98	1.32	6.22	1.34	6.49	1.37		
						23	4.60	1.27	5.47	1.30	5.65	1.33	5.75	1.34	5.86	1.35	6.11	1.37	6.39	1.40		
						25	4.60	1.31	5.34	1.33	5.53	1.36	5.63	1.37	5.75	1.38	6.01	1.41	6.29	1.43		
						27	4.60	1.34	5.21	1.37	5.41	1.39	5.52	1.40	5.64	1.42	5.91	1.44	6.21	1.46		
						29	4.60	1.37	5.10	1.40	5.31	1.42	5.42	1.44	5.55	1.45	5.82	1.47	6.13	1.50		
						31	4.60	1.41	4.99	1.43	5.21	1.46	5.33	1.47	5.46	1.48	5.74	1.51	6.06	1.53		
						33	4.60	1.44	4.89	1.47	5.12	1.50	5.24	1.51	5.38	1.52	5.67	1.54	5.99	1.57		
						35	4.60	1.48	4.80	1.51	5.03	1.53	5.20	1.54	5.30	1.56	5.60	1.58	5.94	1.60		
						37	4.60	1.52	4.71	1.54	4.95	1.57	5.09	1.58	5.23	1.59	5.54	1.62	5.89	1.64		
						39	4.60	1.56	4.63	1.58	4.89	1.61	5.02	1.62	5.17	1.63	5.49	1.65	5.84	1.68		
42	4.60	1.61	4.53	1.64	4.79	1.67	4.94	1.68	5.09	1.69	5.43	1.71	5.79	1.73								
44	4.60	1.66	4.47	1.68	4.74	1.71	4.89	1.72	5.05	1.73	5.39	1.75	5.77	1.77								
46	4.60	1.70	4.41	1.72	4.70	1.75	4.85	1.76	5.02	1.77	5.37	1.79	5.75	1.81								

# 12. Capacity Table

## 12-3. AJ052MCJ3EH/EU

### COOLING

Combination (Capacity Index)			Combination (Total)	Combination (%)	Outdoor Temperature (°C, DB)	Indoor Temperature (°C, WB)													
						14		16		18		19		20		22		24	
						TC(kW)	PI(kW)	TC(kW)	PI(kW)	TC(kW)	PI(kW)	TC(kW)	PI(kW)	TC(kW)	PI(kW)	TC(kW)	PI(kW)	TC(kW)	PI(kW)
2000	2000	2000	6000	115%	10	4.60	1.05	6.48	1.08	6.61	1.11	6.68	1.12	6.76	1.13	6.95	1.16	7.17	1.18
					12	4.60	1.08	6.31	1.11	6.44	1.13	6.52	1.14	6.60	1.16	6.80	1.18	7.03	1.20
					14	4.60	1.11	6.14	1.13	6.28	1.16	6.36	1.17	6.45	1.18	6.66	1.21	6.90	1.23
					16	4.60	1.14	5.97	1.16	6.12	1.19	6.21	1.20	6.31	1.21	6.52	1.24	6.77	1.26
					18	4.60	1.16	5.82	1.19	5.98	1.22	6.07	1.23	6.17	1.24	6.40	1.26	6.65	1.29
					20	4.60	1.19	5.67	1.22	5.84	1.25	5.94	1.26	6.04	1.27	6.28	1.29	6.54	1.32
					21	4.60	1.21	5.60	1.24	5.77	1.26	5.87	1.27	5.98	1.28	6.22	1.31	6.49	1.33
					23	4.60	1.24	5.47	1.27	5.65	1.29	5.75	1.30	5.86	1.32	6.11	1.34	6.39	1.36
					25	4.60	1.27	5.34	1.30	5.53	1.32	5.63	1.33	5.75	1.35	6.01	1.37	6.29	1.39
					27	4.60	1.30	5.21	1.33	5.41	1.35	5.52	1.37	5.64	1.38	5.91	1.40	6.21	1.42
					29	4.60	1.34	5.10	1.36	5.31	1.39	5.42	1.40	5.55	1.41	5.82	1.43	6.13	1.46
					31	4.60	1.37	4.99	1.40	5.21	1.42	5.33	1.43	5.46	1.45	5.74	1.47	6.06	1.49
					33	4.60	1.41	4.89	1.43	5.12	1.46	5.24	1.47	5.38	1.48	5.67	1.50	5.99	1.52
					35	4.60	1.44	4.80	1.47	5.03	1.49	5.20	1.50	5.30	1.52	5.60	1.54	5.94	1.56
					37	4.60	1.48	4.71	1.50	4.95	1.53	5.09	1.54	5.23	1.55	5.54	1.57	5.89	1.60
					39	4.60	1.52	4.63	1.54	4.89	1.56	5.02	1.58	5.17	1.59	5.49	1.61	5.84	1.63
42	4.60	1.57	4.53	1.60	4.79	1.62	4.94	1.63	5.09	1.65	5.43	1.67	5.79	1.69					
44	4.60	1.61	4.47	1.64	4.74	1.66	4.89	1.67	5.05	1.68	5.39	1.71	5.77	1.73					
46	4.60	1.65	4.41	1.68	4.70	1.70	4.85	1.71	5.02	1.72	5.37	1.75	5.75	1.77					
2000	2000	2500	6500	125%	10	4.60	1.07	6.48	1.10	6.61	1.13	6.68	1.14	6.76	1.15	6.95	1.18	7.17	1.20
					12	4.60	1.10	6.31	1.13	6.44	1.16	6.52	1.17	6.60	1.18	6.80	1.20	7.03	1.23
					14	4.60	1.13	6.14	1.16	6.28	1.18	6.36	1.20	6.45	1.21	6.66	1.23	6.90	1.26
					16	4.60	1.16	5.97	1.19	6.12	1.21	6.21	1.22	6.31	1.24	6.52	1.26	6.77	1.28
					18	4.60	1.19	5.82	1.21	5.98	1.24	6.07	1.25	6.17	1.27	6.40	1.29	6.65	1.31
					20	4.60	1.22	5.67	1.24	5.84	1.27	5.94	1.28	6.04	1.30	6.28	1.32	6.54	1.34
					21	4.60	1.23	5.60	1.26	5.77	1.29	5.87	1.30	5.98	1.31	6.22	1.33	6.49	1.36
					23	4.60	1.26	5.47	1.29	5.65	1.32	5.75	1.33	5.86	1.34	6.11	1.37	6.39	1.39
					25	4.60	1.30	5.34	1.32	5.53	1.35	5.63	1.36	5.75	1.37	6.01	1.40	6.29	1.42
					27	4.60	1.33	5.21	1.36	5.41	1.38	5.52	1.39	5.64	1.41	5.91	1.43	6.21	1.45
					29	4.60	1.36	5.10	1.39	5.31	1.42	5.42	1.43	5.55	1.44	5.82	1.46	6.13	1.49
					31	4.60	1.40	4.99	1.42	5.21	1.45	5.33	1.46	5.46	1.47	5.74	1.50	6.06	1.52
					33	4.60	1.43	4.89	1.46	5.12	1.49	5.24	1.50	5.38	1.51	5.67	1.53	5.99	1.56
					35	4.60	1.47	4.80	1.50	5.03	1.52	5.20	1.53	5.30	1.55	5.60	1.57	5.94	1.59
					37	4.60	1.51	4.71	1.53	4.95	1.56	5.09	1.57	5.23	1.58	5.54	1.61	5.89	1.63
					39	4.60	1.55	4.63	1.57	4.89	1.60	5.02	1.61	5.17	1.62	5.49	1.64	5.84	1.67
42	4.60	1.60	4.53	1.63	4.79	1.65	4.94	1.67	5.09	1.68	5.43	1.70	5.79	1.72					
44	4.60	1.64	4.47	1.67	4.74	1.69	4.89	1.71	5.05	1.72	5.39	1.74	5.77	1.76					
46	4.60	1.69	4.41	1.71	4.70	1.73	4.85	1.75	5.02	1.76	5.37	1.78	5.75	1.80					

# 12. Capacity Table

## 12-3. AJ052MCJ3EH/EU

### COOLING

Combination (Capacity Index)				Combination (Total)	Combination (%)	Outdoor Temperature (°C, DB)	Indoor Temperature (°C, WB)													
							14		16		18		19		20		22		24	
							TC(kW)	PI(kW)	TC(kW)	PI(kW)	TC(kW)	PI(kW)	TC(kW)	PI(kW)	TC(kW)	PI(kW)	TC(kW)	PI(kW)	TC(kW)	PI(kW)
2000	2000	3500		7500	144%	10	4.60	1.00	6.48	1.02	6.61	1.05	6.68	1.06	6.76	1.07	6.95	1.09	7.17	1.12
						12	4.60	1.02	6.31	1.05	6.44	1.07	6.52	1.08	6.60	1.10	6.80	1.12	7.03	1.14
						14	4.60	1.05	6.14	1.07	6.28	1.10	6.36	1.11	6.45	1.12	6.66	1.14	6.90	1.17
						16	4.60	1.07	5.97	1.10	6.12	1.12	6.21	1.14	6.31	1.15	6.52	1.17	6.77	1.19
						18	4.60	1.10	5.82	1.13	5.98	1.15	6.07	1.16	6.17	1.17	6.40	1.20	6.65	1.22
						20	4.60	1.13	5.67	1.16	5.84	1.18	5.94	1.19	6.04	1.20	6.28	1.22	6.54	1.25
						21	4.60	1.14	5.60	1.17	5.77	1.19	5.87	1.20	5.98	1.22	6.22	1.24	6.49	1.26
						23	4.60	1.17	5.47	1.20	5.65	1.22	5.75	1.23	5.86	1.25	6.11	1.27	6.39	1.29
						25	4.60	1.20	5.34	1.23	5.53	1.25	5.63	1.26	5.75	1.27	6.01	1.30	6.29	1.32
						27	4.60	1.23	5.21	1.26	5.41	1.28	5.52	1.29	5.64	1.31	5.91	1.33	6.21	1.35
						29	4.60	1.27	5.10	1.29	5.31	1.31	5.42	1.33	5.55	1.34	5.82	1.36	6.13	1.38
						31	4.60	1.30	4.99	1.32	5.21	1.35	5.33	1.36	5.46	1.37	5.74	1.39	6.06	1.41
						33	4.60	1.33	4.89	1.36	5.12	1.38	5.24	1.39	5.38	1.40	5.67	1.42	5.99	1.44
						35	4.60	1.36	4.80	1.39	5.03	1.41	5.20	1.42	5.30	1.43	5.60	1.46	5.94	1.48
						37	4.60	1.40	4.71	1.42	4.95	1.45	5.09	1.46	5.23	1.47	5.54	1.49	5.89	1.51
						39	4.60	1.43	4.63	1.46	4.89	1.48	5.02	1.49	5.17	1.50	5.49	1.52	5.84	1.55
42	4.60	1.49	4.53	1.51	4.79	1.54	4.94	1.55	5.09	1.56	5.43	1.58	5.79	1.60						
44	4.60	1.53	4.47	1.55	4.74	1.57	4.89	1.58	5.05	1.59	5.39	1.62	5.77	1.64						
46	4.60	1.56	4.41	1.59	4.70	1.61	4.85	1.62	5.02	1.63	5.37	1.65	5.75	1.67						
2000	2500	2500		7000	135%	10	4.60	0.98	6.48	1.00	6.61	1.03	6.68	1.04	6.76	1.05	6.95	1.07	7.17	1.09
						12	4.60	1.00	6.31	1.03	6.44	1.05	6.52	1.06	6.60	1.07	6.80	1.09	7.03	1.12
						14	4.60	1.03	6.14	1.05	6.28	1.07	6.36	1.09	6.45	1.10	6.66	1.12	6.90	1.14
						16	4.60	1.05	5.97	1.08	6.12	1.10	6.21	1.11	6.31	1.12	6.52	1.15	6.77	1.17
						18	4.60	1.08	5.82	1.10	5.98	1.13	6.07	1.14	6.17	1.15	6.40	1.17	6.65	1.19
						20	4.60	1.11	5.67	1.13	5.84	1.15	5.94	1.17	6.04	1.18	6.28	1.20	6.54	1.22
						21	4.60	1.12	5.60	1.14	5.77	1.17	5.87	1.18	5.98	1.19	6.22	1.21	6.49	1.23
						23	4.60	1.15	5.47	1.17	5.65	1.20	5.75	1.21	5.86	1.22	6.11	1.24	6.39	1.26
						25	4.60	1.18	5.34	1.20	5.53	1.23	5.63	1.24	5.75	1.25	6.01	1.27	6.29	1.29
						27	4.60	1.21	5.21	1.23	5.41	1.26	5.52	1.27	5.64	1.28	5.91	1.30	6.21	1.32
						29	4.60	1.24	5.10	1.26	5.31	1.29	5.42	1.30	5.55	1.31	5.82	1.33	6.13	1.35
						31	4.60	1.27	4.99	1.29	5.21	1.32	5.33	1.33	5.46	1.34	5.74	1.36	6.06	1.38
						33	4.60	1.30	4.89	1.33	5.12	1.35	5.24	1.36	5.38	1.37	5.67	1.39	5.99	1.41
						35	4.60	1.34	4.80	1.36	5.03	1.38	5.20	1.39	5.30	1.40	5.60	1.43	5.94	1.45
						37	4.60	1.37	4.71	1.39	4.95	1.42	5.09	1.43	5.23	1.44	5.54	1.46	5.89	1.48
						39	4.60	1.40	4.63	1.43	4.89	1.45	5.02	1.46	5.17	1.47	5.49	1.49	5.84	1.51
42	4.60	1.46	4.53	1.48	4.79	1.50	4.94	1.51	5.09	1.52	5.43	1.55	5.79	1.57						
44	4.60	1.49	4.47	1.52	4.74	1.54	4.89	1.55	5.05	1.56	5.39	1.58	5.77	1.60						
46	4.60	1.53	4.41	1.55	4.70	1.58	4.85	1.59	5.02	1.60	5.37	1.62	5.75	1.64						

# 12. Capacity Table

## 12-3. AJ052MCJ3EH/EU

### COOLING

Combination (Capacity Index)			Combination (Total)	Combination (%)	Outdoor Temperature (°C, DB)	Indoor Temperature (°C, WB)													
						14		16		18		19		20		22		24	
						TC(kW)	PI(kW)	TC(kW)	PI(kW)	TC(kW)	PI(kW)	TC(kW)	PI(kW)	TC(kW)	PI(kW)	TC(kW)	PI(kW)	TC(kW)	PI(kW)
2000	2500	3500	8000	154%	10	5.85	1.00	6.08	1.02	6.31	1.04	6.43	1.05	6.55	1.06	6.79	1.08	7.03	1.10
					12	5.75	1.02	5.98	1.04	6.21	1.07	6.33	1.08	6.45	1.09	6.69	1.11	6.93	1.13
					14	5.64	1.05	5.87	1.07	6.11	1.09	6.23	1.10	6.35	1.11	6.59	1.14	6.83	1.16
					16	5.54	1.08	5.77	1.10	6.01	1.12	6.13	1.13	6.25	1.14	6.49	1.16	6.73	1.19
					18	5.44	1.11	5.67	1.13	5.91	1.15	6.03	1.16	6.15	1.17	6.39	1.19	6.63	1.22
					20	5.34	1.13	5.57	1.16	5.81	1.18	5.93	1.19	6.05	1.20	6.29	1.22	6.54	1.24
					21	5.29	1.15	5.52	1.17	5.76	1.19	5.88	1.20	6.00	1.22	6.24	1.24	6.49	1.26
					23	5.19	1.18	5.42	1.20	5.66	1.22	5.78	1.23	5.90	1.25	6.14	1.27	6.39	1.29
					25	5.09	1.21	5.32	1.23	5.56	1.25	5.68	1.26	5.80	1.28	6.04	1.30	6.29	1.32
					27	4.99	1.24	5.23	1.26	5.46	1.28	5.58	1.30	5.70	1.31	5.95	1.33	6.19	1.35
					29	4.89	1.27	5.13	1.29	5.36	1.32	5.48	1.33	5.60	1.34	5.85	1.36	6.10	1.38
					31	4.79	1.30	5.03	1.32	5.27	1.35	5.39	1.36	5.51	1.37	5.75	1.39	6.00	1.41
					33	4.69	1.33	4.93	1.36	5.17	1.38	5.29	1.39	5.41	1.40	5.65	1.42	5.90	1.45
					35	4.60	1.37	4.83	1.39	5.07	1.41	5.20	1.42	5.31	1.43	5.56	1.46	5.81	1.48
					37	4.50	1.40	4.73	1.42	4.97	1.44	5.09	1.46	5.22	1.47	5.46	1.49	5.71	1.51
					39	4.40	1.43	4.64	1.46	4.88	1.48	5.00	1.49	5.12	1.50	5.36	1.52	5.61	1.55
42	4.25	1.48	4.49	1.51	4.73	1.53	4.85	1.54	4.97	1.55	5.22	1.58	5.47	1.60					
44	4.16	1.52	4.39	1.54	4.63	1.56	4.76	1.58	4.88	1.59	5.13	1.61	5.38	1.64					
46	4.06	1.55	4.30	1.58	4.54	1.60	4.66	1.61	4.78	1.62	5.03	1.65	5.28	1.67					
2500	2500	2500	7500	144%	10	5.85	0.95	6.08	0.97	6.31	0.99	6.43	1.00	6.55	1.01	6.79	1.03	7.03	1.05
					12	5.75	0.97	5.98	0.99	6.21	1.01	6.33	1.02	6.45	1.03	6.69	1.05	6.93	1.07
					14	5.64	1.00	5.87	1.02	6.11	1.04	6.23	1.05	6.35	1.06	6.59	1.08	6.83	1.10
					16	5.54	1.02	5.77	1.05	6.01	1.07	6.13	1.08	6.25	1.09	6.49	1.11	6.73	1.13
					18	5.44	1.05	5.67	1.07	5.91	1.09	6.03	1.10	6.15	1.11	6.39	1.13	6.63	1.16
					20	5.34	1.08	5.57	1.10	5.81	1.12	5.93	1.13	6.05	1.14	6.29	1.16	6.54	1.18
					21	5.29	1.09	5.52	1.11	5.76	1.13	5.88	1.14	6.00	1.16	6.24	1.18	6.49	1.20
					23	5.19	1.12	5.42	1.14	5.66	1.16	5.78	1.17	5.90	1.18	6.14	1.20	6.39	1.23
					25	5.09	1.15	5.32	1.17	5.56	1.19	5.68	1.20	5.80	1.21	6.04	1.23	6.29	1.25
					27	4.99	1.18	5.23	1.20	5.46	1.22	5.58	1.23	5.70	1.24	5.95	1.26	6.19	1.28
					29	4.89	1.21	5.13	1.23	5.36	1.25	5.48	1.26	5.60	1.27	5.85	1.29	6.10	1.31
					31	4.79	1.24	5.03	1.26	5.27	1.28	5.39	1.29	5.51	1.30	5.75	1.32	6.00	1.35
					33	4.69	1.27	4.93	1.29	5.17	1.31	5.29	1.32	5.41	1.33	5.65	1.35	5.90	1.38
					35	4.60	1.30	4.83	1.32	5.07	1.34	5.20	1.35	5.31	1.36	5.56	1.39	5.81	1.41
					37	4.50	1.33	4.73	1.35	4.97	1.37	5.09	1.38	5.22	1.40	5.46	1.42	5.71	1.44
					39	4.40	1.36	4.64	1.38	4.88	1.41	5.00	1.42	5.12	1.43	5.36	1.45	5.61	1.47
42	4.25	1.41	4.49	1.43	4.73	1.45	4.85	1.47	4.97	1.48	5.22	1.50	5.47	1.52					
44	4.16	1.44	4.39	1.47	4.63	1.49	4.76	1.50	4.88	1.51	5.13	1.53	5.38	1.56					
46	4.06	1.48	4.30	1.50	4.54	1.52	4.66	1.53	4.78	1.54	5.03	1.57	5.28	1.59					



# 12. Capacity Table

## 12-3. AJ052MCJ3EH/EU

### COOLING

Combination (Capacity Index)				Combination (Total)	Combination (%)	Outdoor Temperature (°C, DB)	Indoor Temperature (°C, WB)													
							14		16		18		19		20		22		24	
							TC(kW)	PI(kW)	TC(kW)	PI(kW)	TC(kW)	PI(kW)	TC(kW)	PI(kW)	TC(kW)	PI(kW)	TC(kW)	PI(kW)	TC(kW)	PI(kW)
2500	2500	3500		8500	163%	10	5.85	0.95	6.08	0.97	6.31	0.99	6.43	1.00	6.55	1.01	6.79	1.03	7.03	1.05
						12	5.75	0.97	5.98	0.99	6.21	1.01	6.33	1.02	6.45	1.03	6.69	1.05	6.93	1.07
						14	5.64	1.00	5.87	1.02	6.11	1.04	6.23	1.05	6.35	1.06	6.59	1.08	6.83	1.10
						16	5.54	1.02	5.77	1.05	6.01	1.07	6.13	1.08	6.25	1.09	6.49	1.11	6.73	1.13
						18	5.44	1.05	5.67	1.07	5.91	1.09	6.03	1.10	6.15	1.11	6.39	1.13	6.63	1.16
						20	5.34	1.08	5.57	1.10	5.81	1.12	5.93	1.13	6.05	1.14	6.29	1.16	6.54	1.18
						21	5.29	1.09	5.52	1.11	5.76	1.13	5.88	1.14	6.00	1.16	6.24	1.18	6.49	1.20
						23	5.19	1.12	5.42	1.14	5.66	1.16	5.78	1.17	5.90	1.18	6.14	1.20	6.39	1.23
						25	5.09	1.15	5.32	1.17	5.56	1.19	5.68	1.20	5.80	1.21	6.04	1.23	6.29	1.25
						27	4.99	1.18	5.23	1.20	5.46	1.22	5.58	1.23	5.70	1.24	5.95	1.26	6.19	1.28
						29	4.89	1.21	5.13	1.23	5.36	1.25	5.48	1.26	5.60	1.27	5.85	1.29	6.10	1.31
						31	4.79	1.24	5.03	1.26	5.27	1.28	5.39	1.29	5.51	1.30	5.75	1.32	6.00	1.35
						33	4.69	1.27	4.93	1.29	5.17	1.31	5.29	1.32	5.41	1.33	5.65	1.35	5.90	1.38
						35	4.60	1.30	4.83	1.32	5.07	1.34	5.20	1.35	5.31	1.36	5.56	1.39	5.81	1.41
						37	4.50	1.33	4.73	1.35	4.97	1.37	5.09	1.38	5.22	1.40	5.46	1.42	5.71	1.44
						39	4.40	1.36	4.64	1.38	4.88	1.41	5.00	1.42	5.12	1.43	5.36	1.45	5.61	1.47
42	4.25	1.41	4.49	1.43	4.73	1.45	4.85	1.47	4.97	1.48	5.22	1.50	5.47	1.52						
44	4.16	1.44	4.39	1.47	4.63	1.49	4.76	1.50	4.88	1.51	5.13	1.53	5.38	1.56						
46	4.06	1.48	4.30	1.50	4.54	1.52	4.66	1.53	4.78	1.54	5.03	1.57	5.28	1.59						

### NOTE

- Cooling capacity is based on 27°CDB / 19°CWB (indoor temperature), 35°CDB (outdoor temperature).
- Heating capacity is based on 20°CDB (indoor temperature), 7°CDB/6°CWB (outdoor temperature).
- The above is the value for connecting with the following indoor units.
  - 2000, 2500, 3500, 5000W class: Wall Mounted [only for A3050 Better Series]
- Capacities are based on the following conditions:
  - Corresponding refrigerant piping length : 5m / - Level difference : 0m
- The total ability of connected a indoor unit is up to 8.0kW
- It is impossible to connect the indoor unit for one room only.
- This data is reference data for temperature capacity trend.

# 12. Capacity Table

## 12-3. AJ052MCJ3EH/EU

### HEATING

Combination (Capacity Index)				Combination (Total)	Combination (%)	Outdoor Temperature (°C, DB)	Indoor Temperature (°C, DB)													
							14		16		18		20		21		22		24	
							TC(kW)	PI(kW)	TC(kW)	PI(kW)	TC(kW)	PI(kW)	TC(kW)	PI(kW)	TC(kW)	PI(kW)	TC(kW)	PI(kW)	TC(kW)	PI(kW)
2000				2000	38%	-15	1.26	0.72	1.22	0.73	1.18	0.74	1.17	0.75	1.15	0.75	1.13	0.76	1.11	0.77
						-10	1.51	0.76	1.47	0.77	1.43	0.78	1.41	0.79	1.40	0.79	1.37	0.80	1.34	0.81
						-5	1.76	0.80	1.71	0.81	1.67	0.82	1.66	0.83	1.64	0.83	1.61	0.84	1.58	0.85
						0	2.01	0.84	1.96	0.85	1.92	0.86	1.90	0.87	1.88	0.87	1.85	0.88	1.82	0.89
						2	2.11	0.85	2.06	0.86	2.02	0.88	2.00	0.88	1.98	0.89	1.95	0.89	1.92	0.90
						7	2.31	0.88	2.26	0.89	2.21	0.91	2.20	0.91	2.17	0.92	2.14	0.93	2.11	0.93
						10	2.51	0.91	2.46	0.92	2.41	0.94	2.39	0.94	2.37	0.95	2.33	0.96	2.30	0.97
						15	2.76	0.95	2.71	0.96	2.66	0.97	2.64	0.98	2.61	0.99	2.57	1.00	2.54	1.01
2500				2500	48%	-15	1.89	0.91	1.83	0.93	1.78	0.94	1.75	0.95	1.73	0.95	1.69	0.96	1.66	0.97
						-10	2.26	0.96	2.20	0.98	2.14	0.99	2.12	1.00	2.09	1.00	2.05	1.01	2.02	1.02
						-5	2.64	1.01	2.57	1.02	2.51	1.04	2.48	1.04	2.46	1.05	2.41	1.06	2.37	1.07
						0	3.01	1.06	2.94	1.07	2.88	1.09	2.85	1.09	2.82	1.10	2.77	1.11	2.73	1.12
						2	3.16	1.08	3.09	1.09	3.03	1.11	3.00	1.11	2.97	1.12	2.92	1.13	2.87	1.14
						7	3.46	1.11	3.39	1.13	3.32	1.14	3.30	1.15	3.26	1.16	3.21	1.17	3.16	1.18
						10	3.76	1.15	3.69	1.17	3.62	1.18	3.59	1.19	3.55	1.20	3.50	1.21	3.45	1.22
						15	4.14	1.20	4.06	1.21	3.99	1.23	3.95	1.24	3.92	1.25	3.86	1.26	3.81	1.27
3500				3500	67%	-15	2.29	1.07	2.22	1.09	2.15	1.10	2.13	1.11	2.10	1.12	2.05	1.13	2.01	1.14
						-10	2.74	1.13	2.67	1.15	2.60	1.16	2.57	1.17	2.54	1.17	2.49	1.19	2.44	1.20
						-5	3.20	1.19	3.12	1.20	3.04	1.22	3.01	1.23	2.98	1.23	2.92	1.25	2.88	1.26
						0	3.65	1.24	3.57	1.26	3.49	1.28	3.46	1.28	3.42	1.29	3.36	1.30	3.31	1.32
						2	3.83	1.26	3.75	1.28	3.67	1.30	3.63	1.31	3.60	1.31	3.54	1.33	3.48	1.34
						7	4.20	1.31	4.11	1.33	4.03	1.34	4.00	1.35	3.95	1.36	3.89	1.37	3.83	1.39
						10	4.56	1.35	4.47	1.37	4.38	1.39	4.35	1.40	4.31	1.41	4.24	1.42	4.18	1.43
						15	5.02	1.40	4.92	1.43	4.83	1.44	4.79	1.45	4.75	1.46	4.68	1.48	4.62	1.49
5000				5000	96%	-15	3.21	1.45	3.11	1.47	3.02	1.49	2.98	1.50	2.94	1.50	2.87	1.52	2.82	1.53
						-10	3.84	1.52	3.73	1.55	3.64	1.57	3.60	1.57	3.55	1.58	3.48	1.60	3.42	1.61
						-5	4.48	1.60	4.36	1.62	4.26	1.64	4.22	1.65	4.17	1.66	4.09	1.68	4.03	1.69
						0	5.11	1.67	4.99	1.70	4.89	1.72	4.84	1.73	4.79	1.74	4.71	1.76	4.63	1.77
						2	5.37	1.70	5.25	1.73	5.14	1.75	5.09	1.76	5.04	1.77	4.95	1.79	4.88	1.81
						7	5.88	1.76	5.75	1.79	5.64	1.81	5.60	1.82	5.54	1.83	5.44	1.85	5.36	1.87
						10	6.39	1.82	6.26	1.85	6.14	1.87	6.08	1.88	6.03	1.89	5.94	1.92	5.85	1.93
						15	7.03	1.89	6.89	1.92	6.77	1.95	6.71	1.96	6.65	1.97	6.55	1.99	6.46	2.01
2000	2000			4000	77%	-15	2.52	0.97	2.44	0.98	2.37	1.00	2.34	1.00	2.31	1.01	2.26	1.02	2.21	1.03
						-10	3.02	1.02	2.93	1.04	2.86	1.05	2.82	1.06	2.79	1.06	2.74	1.07	2.69	1.08
						-5	3.52	1.07	3.43	1.09	3.35	1.10	3.31	1.11	3.28	1.11	3.22	1.13	3.16	1.14
						0	4.02	1.12	3.92	1.14	3.84	1.15	3.80	1.16	3.76	1.17	3.70	1.18	3.64	1.19
						2	4.22	1.14	4.12	1.16	4.04	1.17	4.00	1.18	3.96	1.19	3.89	1.20	3.83	1.21
						7	4.62	1.18	4.52	1.20	4.43	1.21	4.40	1.22	4.35	1.23	4.28	1.24	4.21	1.25
						10	5.02	1.22	4.92	1.24	4.82	1.25	4.78	1.26	4.74	1.27	4.66	1.28	4.60	1.30
						15	5.52	1.27	5.41	1.29	5.32	1.31	5.27	1.31	5.23	1.32	5.15	1.34	5.08	1.35
2000	2500			4500	87%	-15	2.92	1.12	2.83	1.14	2.75	1.15	2.71	1.16	2.68	1.17	2.62	1.18	2.56	1.19
						-10	3.50	1.18	3.40	1.20	3.31	1.21	3.27	1.22	3.24	1.23	3.17	1.24	3.12	1.25
						-5	4.08	1.24	3.97	1.26	3.88	1.27	3.84	1.28	3.80	1.29	3.73	1.30	3.67	1.31
						0	4.66	1.30	4.55	1.31	4.45	1.33	4.41	1.34	4.36	1.35	4.29	1.36	4.22	1.37
						2	4.89	1.32	4.78	1.34	4.68	1.36	4.63	1.36	4.59	1.37	4.51	1.39	4.44	1.40
						7	5.35	1.36	5.24	1.38	5.13	1.40	5.10	1.41	5.04	1.42	4.96	1.44	4.89	1.45
						10	5.82	1.41	5.70	1.43	5.59	1.45	5.54	1.46	5.49	1.47	5.41	1.48	5.33	1.50
						15	6.40	1.47	6.28	1.49	6.16	1.51	6.11	1.52	6.06	1.53	5.97	1.54	5.88	1.56

# 12. Capacity Table

## 12-3. AJ052MCJ3EH/EU

### HEATING

Combination (Capacity Index)				Combination (Total)	Combination (%)	Outdoor Temperature (°C, DB)	Indoor Temperature (°C, DB)															
							14		16		18		20		21		22		24			
							TC(kW)	PI(kW)	TC(kW)	PI(kW)	TC(kW)	PI(kW)	TC(kW)	PI(kW)	TC(kW)	PI(kW)	TC(kW)	PI(kW)	TC(kW)	PI(kW)		
2000	3500			5500	106%	-15	3.21	1.22	3.11	1.24	3.02	1.26	2.98	1.27	2.94	1.27	2.87	1.29	2.82	1.30		
						-10	3.84	1.29	3.73	1.31	3.64	1.32	3.60	1.33	3.55	1.34	3.48	1.35	3.42	1.36		
						-5	4.48	1.35	4.36	1.37	4.26	1.39	4.22	1.40	4.17	1.41	4.09	1.42	4.03	1.43		
						0	5.11	1.42	4.99	1.44	4.89	1.46	4.84	1.46	4.79	1.47	4.71	1.49	4.63	1.50		
						2	5.37	1.44	5.25	1.46	5.14	1.48	5.09	1.49	5.04	1.50	4.95	1.51	4.88	1.53		
						7	5.88	1.49	5.75	1.51	5.64	1.53	5.60	1.54	5.54	1.55	5.44	1.57	5.36	1.58		
						10	6.39	1.54	6.26	1.56	6.14	1.58	6.08	1.59	6.03	1.60	5.94	1.62	5.85	1.64		
2000	5000			7000	135%	-15	3.43	1.32	3.33	1.34	3.23	1.36	3.19	1.36	3.15	1.37	3.08	1.39	3.02	1.40		
						-10	4.11	1.39	4.00	1.41	3.90	1.43	3.85	1.44	3.81	1.44	3.73	1.46	3.67	1.47		
						-5	4.80	1.46	4.67	1.48	4.57	1.50	4.52	1.51	4.47	1.52	4.39	1.53	4.31	1.54		
						0	5.48	1.53	5.35	1.55	5.24	1.57	5.18	1.58	5.13	1.59	5.04	1.60	4.97	1.62		
						2	5.75	1.55	5.62	1.58	5.50	1.60	5.45	1.61	5.40	1.62	5.31	1.63	5.23	1.65		
						7	6.30	1.61	6.16	1.63	6.04	1.65	6.00	1.66	5.93	1.67	5.83	1.69	5.75	1.71		
						10	6.84	1.66	6.70	1.68	6.58	1.71	6.52	1.72	6.46	1.73	6.36	1.75	6.27	1.76		
2500	2500			5000	96%	-15	3.32	1.27	3.22	1.29	3.12	1.31	3.08	1.32	3.04	1.32	2.97	1.34	2.92	1.35		
						-10	3.98	1.34	3.87	1.36	3.77	1.38	3.72	1.38	3.68	1.39	3.61	1.41	3.54	1.42		
						-5	4.64	1.40	4.52	1.43	4.41	1.44	4.37	1.45	4.32	1.46	4.24	1.48	4.17	1.49		
						0	5.29	1.47	5.17	1.49	5.06	1.51	5.01	1.52	4.96	1.53	4.88	1.55	4.80	1.56		
						2	5.56	1.50	5.43	1.52	5.32	1.54	5.27	1.55	5.22	1.56	5.13	1.57	5.05	1.59		
						7	6.09	1.55	5.96	1.57	5.84	1.59	5.80	1.60	5.73	1.61	5.64	1.63	5.56	1.64		
						10	6.62	1.60	6.48	1.62	6.36	1.65	6.30	1.66	6.25	1.67	6.15	1.68	6.06	1.70		
2500	3500			6000	115%	-15	3.32	1.27	3.22	1.29	3.12	1.31	3.08	1.32	3.04	1.32	2.97	1.34	2.92	1.35		
						-10	3.98	1.34	3.87	1.36	3.77	1.38	3.72	1.38	3.68	1.39	3.61	1.41	3.54	1.42		
						-5	4.64	1.40	4.52	1.43	4.41	1.44	4.37	1.45	4.32	1.46	4.24	1.48	4.17	1.49		
						0	5.29	1.47	5.17	1.49	5.06	1.51	5.01	1.52	4.96	1.53	4.88	1.55	4.80	1.56		
						2	5.56	1.50	5.43	1.52	5.32	1.54	5.27	1.55	5.22	1.56	5.13	1.57	5.05	1.59		
						7	6.09	1.55	5.96	1.57	5.84	1.59	5.80	1.60	5.73	1.61	5.64	1.63	5.56	1.64		
						10	6.62	1.60	6.48	1.62	6.36	1.65	6.30	1.66	6.25	1.67	6.15	1.68	6.06	1.70		
2500	5000			7500	144%	-15	3.61	1.38	3.49	1.40	3.39	1.42	3.35	1.43	3.31	1.44	3.23	1.45	3.17	1.46		
						-10	4.32	1.46	4.20	1.48	4.09	1.50	4.04	1.51	4.00	1.51	3.92	1.53	3.85	1.54		
						-5	5.03	1.53	4.91	1.55	4.79	1.57	4.74	1.58	4.69	1.59	4.61	1.61	4.53	1.62		
						0	5.75	1.60	5.62	1.62	5.50	1.64	5.44	1.65	5.39	1.66	5.30	1.68	5.21	1.70		
						2	6.04	1.63	5.90	1.65	5.78	1.67	5.72	1.68	5.67	1.69	5.57	1.71	5.49	1.73		
						7	6.61	1.68	6.47	1.71	6.34	1.73	6.30	1.74	6.23	1.75	6.12	1.77	6.03	1.79		
						10	7.19	1.74	7.04	1.77	6.91	1.79	6.84	1.80	6.79	1.81	6.68	1.83	6.58	1.85		
3500	3500			7000	135%	-15	3.38	1.30	3.27	1.32	3.18	1.33	3.14	1.34	3.10	1.35	3.03	1.36	2.97	1.37		
						-10	4.05	1.36	3.93	1.38	3.83	1.40	3.79	1.41	3.75	1.42	3.67	1.43	3.60	1.44		
						-5	4.72	1.43	4.60	1.45	4.49	1.47	4.44	1.48	4.40	1.49	4.31	1.50	4.24	1.52		
						0	5.39	1.50	5.26	1.52	5.15	1.54	5.10	1.55	5.05	1.56	4.96	1.57	4.88	1.59		
						2	5.65	1.52	5.53	1.55	5.41	1.57	5.36	1.58	5.31	1.59	5.22	1.60	5.14	1.62		
						7	6.19	1.58	6.06	1.60	5.94	1.62	5.90	1.63	5.83	1.64	5.74	1.66	5.65	1.67		
						10	6.73	1.63	6.59	1.65	6.47	1.68	6.41	1.69	6.35	1.70	6.25	1.72	6.16	1.73		
15	7.40	1.70	7.26	1.72	7.13	1.74	7.07	1.75	7.01	1.77	6.90	1.78	6.81	1.80								

# 12. Capacity Table

## 12-3. AJ052MCJ3EH/EU

### HEATING

Combination (Capacity Index)			Combination (Total)	Combination (%)	Outdoor Temperature (°C, DB)	Indoor Temperature (°C, DB)													
						14		16		18		20		21		22		24	
						TC(kW)	PI(kW)	TC(kW)	PI(kW)	TC(kW)	PI(kW)	TC(kW)	PI(kW)	TC(kW)	PI(kW)	TC(kW)	PI(kW)	TC(kW)	PI(kW)
2000	2000	2000	6000	115%	-15	3.32	1.26	3.22	1.28	3.12	1.30	3.08	1.31	3.04	1.31	2.97	1.33	2.92	1.34
					-10	3.98	1.33	3.87	1.35	3.77	1.37	3.72	1.38	3.68	1.38	3.61	1.40	3.54	1.41
					-5	4.64	1.40	4.52	1.42	4.41	1.44	4.37	1.44	4.32	1.45	4.24	1.47	4.17	1.48
					0	5.29	1.46	5.17	1.48	5.06	1.50	5.01	1.51	4.96	1.52	4.88	1.54	4.80	1.55
					2	5.56	1.49	5.43	1.51	5.32	1.53	5.27	1.54	5.22	1.55	5.13	1.56	5.05	1.58
					7	6.09	1.54	5.96	1.56	5.84	1.58	5.80	1.59	5.73	1.60	5.64	1.62	5.56	1.63
					10	6.62	1.59	6.48	1.61	6.36	1.64	6.30	1.65	6.25	1.66	6.15	1.67	6.06	1.69
2000	2000	2500	6500	125%	-15	3.38	1.31	3.27	1.33	3.18	1.35	3.14	1.36	3.10	1.36	3.03	1.38	2.97	1.39
					-10	4.05	1.38	3.93	1.40	3.83	1.42	3.79	1.43	3.75	1.44	3.67	1.45	3.60	1.46
					-5	4.72	1.45	4.60	1.47	4.49	1.49	4.44	1.50	4.40	1.51	4.31	1.52	4.24	1.54
					0	5.39	1.52	5.26	1.54	5.15	1.56	5.10	1.57	5.05	1.58	4.96	1.59	4.88	1.61
					2	5.65	1.54	5.53	1.57	5.41	1.59	5.36	1.60	5.31	1.61	5.22	1.62	5.14	1.64
					7	6.19	1.60	6.06	1.62	5.94	1.64	5.90	1.65	5.83	1.66	5.74	1.68	5.65	1.70
					10	6.73	1.65	6.59	1.67	6.47	1.70	6.41	1.71	6.35	1.72	6.25	1.74	6.16	1.75
2000	2000	3500	7500	144%	-15	3.61	1.32	3.49	1.34	3.39	1.36	3.35	1.36	3.31	1.37	3.23	1.39	3.17	1.40
					-10	4.32	1.39	4.20	1.41	4.09	1.43	4.04	1.44	4.00	1.44	3.92	1.46	3.85	1.47
					-5	5.03	1.46	4.91	1.48	4.79	1.50	4.74	1.51	4.69	1.52	4.61	1.53	4.53	1.54
					0	5.75	1.53	5.62	1.55	5.50	1.57	5.44	1.58	5.39	1.59	5.30	1.60	5.21	1.62
					2	6.04	1.55	5.90	1.58	5.78	1.60	5.72	1.61	5.67	1.62	5.57	1.63	5.49	1.65
					7	6.61	1.61	6.47	1.63	6.34	1.65	6.30	1.66	6.23	1.67	6.12	1.69	6.03	1.71
					10	7.19	1.66	7.04	1.68	6.91	1.71	6.84	1.72	6.79	1.73	6.68	1.75	6.58	1.76
2000	2500	2500	7000	135%	-15	3.43	1.26	3.33	1.28	3.23	1.30	3.19	1.31	3.15	1.31	3.08	1.33	3.02	1.34
					-10	4.11	1.33	4.00	1.35	3.90	1.37	3.85	1.38	3.81	1.38	3.73	1.40	3.67	1.41
					-5	4.80	1.40	4.67	1.42	4.57	1.44	4.52	1.44	4.47	1.45	4.39	1.47	4.31	1.48
					0	5.48	1.46	5.35	1.48	5.24	1.50	5.18	1.51	5.13	1.52	5.04	1.54	4.97	1.55
					2	5.75	1.49	5.62	1.51	5.50	1.53	5.45	1.54	5.40	1.55	5.31	1.56	5.23	1.58
					7	6.30	1.54	6.16	1.56	6.04	1.58	6.00	1.59	5.93	1.60	5.83	1.62	5.75	1.63
					10	6.84	1.59	6.70	1.61	6.58	1.64	6.52	1.65	6.46	1.66	6.36	1.67	6.27	1.69
2000	2500	3500	8000	154%	-15	3.61	1.30	3.49	1.32	3.39	1.33	3.35	1.34	3.31	1.35	3.23	1.36	3.17	1.37
					-10	4.32	1.36	4.20	1.38	4.09	1.40	4.04	1.41	4.00	1.42	3.92	1.43	3.85	1.44
					-5	5.03	1.43	4.91	1.45	4.79	1.47	4.74	1.48	4.69	1.49	4.61	1.50	4.53	1.52
					0	5.75	1.50	5.62	1.52	5.50	1.54	5.44	1.55	5.39	1.56	5.30	1.57	5.21	1.59
					2	6.04	1.52	5.90	1.55	5.78	1.57	5.72	1.58	5.67	1.59	5.57	1.60	5.49	1.62
					7	6.61	1.58	6.47	1.60	6.34	1.62	6.30	1.63	6.23	1.64	6.12	1.66	6.03	1.67
					10	7.19	1.63	7.04	1.65	6.91	1.68	6.84	1.69	6.79	1.70	6.68	1.72	6.58	1.73
2500	2500	2500	7500	144%	-15	3.61	1.11	3.49	1.13	3.39	1.14	3.35	1.15	3.31	1.16	3.23	1.17	3.17	1.18
					-10	4.32	1.17	4.20	1.19	4.09	1.20	4.04	1.21	4.00	1.22	3.92	1.23	3.85	1.24
					-5	5.03	1.23	4.91	1.25	4.79	1.26	4.74	1.27	4.69	1.28	4.61	1.29	4.53	1.30
					0	5.75	1.29	5.62	1.31	5.50	1.32	5.44	1.33	5.39	1.34	5.30	1.35	5.21	1.36
					2	6.04	1.31	5.90	1.33	5.78	1.35	5.72	1.35	5.67	1.36	5.57	1.38	5.49	1.39
					7	6.61	1.35	6.47	1.37	6.34	1.39	6.30	1.40	6.23	1.41	6.12	1.43	6.03	1.44
					10	7.19	1.40	7.04	1.42	6.91	1.44	6.84	1.45	6.79	1.46	6.68	1.47	6.58	1.49
15	7.91	1.46	7.75	1.48	7.61	1.50	7.55	1.51	7.49	1.52	7.37	1.53	7.27	1.55					

# 12. Capacity Table

## 12-3. AJ052MCJ3EH/EU

### HEATING

Combination (Capacity Index)				Combination (Total)	Combination (%)	Outdoor Temperature (°C, DB)	Indoor Temperature (°C, DB)													
							14		16		18		20		21		22		24	
							TC(kW)	PI(kW)	TC(kW)	PI(kW)	TC(kW)	PI(kW)	TC(kW)	PI(kW)	TC(kW)	PI(kW)	TC(kW)	PI(kW)	TC(kW)	PI(kW)
2500	2500	3500		8500	163%	-15	3.61	1.11	3.49	1.13	3.39	1.14	3.35	1.15	3.31	1.16	3.23	1.17	3.17	1.18
						-10	4.32	1.17	4.20	1.19	4.09	1.20	4.04	1.21	4.00	1.22	3.92	1.23	3.85	1.24
						-5	5.03	1.23	4.91	1.25	4.79	1.26	4.74	1.27	4.69	1.28	4.61	1.29	4.53	1.30
						0	5.75	1.29	5.62	1.31	5.50	1.32	5.44	1.33	5.39	1.34	5.30	1.35	5.21	1.36
						2	6.04	1.31	5.90	1.33	5.78	1.35	5.72	1.35	5.67	1.36	5.57	1.38	5.49	1.39
						7	6.61	1.35	6.47	1.37	6.34	1.39	6.30	1.40	6.23	1.41	6.12	1.43	6.03	1.44
						10	7.19	1.40	7.04	1.42	6.91	1.44	6.84	1.45	6.79	1.46	6.68	1.47	6.58	1.49
						15	7.91	1.46	7.75	1.48	7.61	1.50	7.55	1.51	7.49	1.52	7.37	1.53	7.27	1.55

### NOTE

- Cooling capacity is based on 27°CDB / 19°CWB (indoor temperature), 35°CDB (outdoor temperature).
- Heating capacity is based on 20°CDB (indoor temperature), 7°CDB/6°CWB (outdoor temperature).
- The above is the value for connecting with the following indoor units.
  - 2000, 2500, 3500, 5000W class: Wall Mounted [except A3050 Better series]
- Capacities are based on the following conditions:
  - Corresponding refrigerant piping length : 5m / - Level difference : 0m
- The total ability of connected a indoor unit is up to 8.0kW
- It is impossible to connect the indoor unit for one room only.
- This data is reference data for temperature capacity trend.

# 12. Capacity Table

## 12-3. AJ052MCJ3EH/EU

### HEATING

Combination (Capacity Index)				Combination (Total)	Combination (%)	Outdoor Temperature (°C, DB)	Indoor Temperature (°C, DB)													
							14		16		18		20		21		22		24	
							TC(kW)	PI(kW)	TC(kW)	PI(kW)	TC(kW)	PI(kW)	TC(kW)	PI(kW)	TC(kW)	PI(kW)	TC(kW)	PI(kW)	TC(kW)	PI(kW)
2000			2000	38%	-15	1.26	0.72	1.22	0.73	1.18	0.74	1.17	0.75	1.15	0.75	1.13	0.76	1.11	0.77	
					-10	1.51	0.76	1.47	0.77	1.43	0.78	1.41	0.79	1.40	0.79	1.37	0.80	1.34	0.81	
					-5	1.76	0.80	1.71	0.81	1.67	0.82	1.66	0.83	1.64	0.83	1.61	0.84	1.58	0.85	
					0	2.01	0.84	1.96	0.85	1.92	0.86	1.90	0.87	1.88	0.87	1.85	0.88	1.82	0.89	
					2	2.11	0.85	2.06	0.86	2.02	0.88	2.00	0.88	1.98	0.89	1.95	0.89	1.92	0.90	
					7	2.31	0.88	2.26	0.89	2.21	0.91	2.20	0.91	2.17	0.92	2.14	0.93	2.11	0.93	
					10	2.51	0.91	2.46	0.92	2.41	0.94	2.39	0.94	2.37	0.95	2.33	0.96	2.30	0.97	
2500			2500	48%	-15	1.89	0.91	1.83	0.93	1.78	0.94	1.75	0.95	1.73	0.95	1.69	0.96	1.66	0.97	
					-10	2.26	0.96	2.20	0.98	2.14	0.99	2.12	1.00	2.09	1.00	2.05	1.01	2.02	1.02	
					-5	2.64	1.01	2.57	1.02	2.51	1.04	2.48	1.04	2.46	1.05	2.41	1.06	2.37	1.07	
					0	3.01	1.06	2.94	1.07	2.88	1.09	2.85	1.09	2.82	1.10	2.77	1.11	2.73	1.12	
					2	3.16	1.08	3.09	1.09	3.03	1.11	3.00	1.11	2.97	1.12	2.92	1.13	2.87	1.14	
					7	3.46	1.11	3.39	1.13	3.32	1.14	3.30	1.15	3.26	1.16	3.21	1.17	3.16	1.18	
					10	3.76	1.15	3.69	1.17	3.62	1.18	3.59	1.19	3.55	1.20	3.50	1.21	3.45	1.22	
3500			3500	67%	-15	2.29	1.07	2.22	1.09	2.15	1.10	2.13	1.11	2.10	1.12	2.05	1.13	2.01	1.14	
					-10	2.74	1.13	2.67	1.15	2.60	1.16	2.57	1.17	2.54	1.17	2.49	1.19	2.44	1.20	
					-5	3.20	1.19	3.12	1.20	3.04	1.22	3.01	1.23	2.98	1.23	2.92	1.25	2.88	1.26	
					0	3.65	1.24	3.57	1.26	3.49	1.28	3.46	1.28	3.42	1.29	3.36	1.30	3.31	1.32	
					2	3.83	1.26	3.75	1.28	3.67	1.30	3.63	1.31	3.60	1.31	3.54	1.33	3.48	1.34	
					7	4.20	1.31	4.11	1.33	4.03	1.34	4.00	1.35	3.95	1.36	3.89	1.37	3.83	1.39	
					10	4.56	1.35	4.47	1.37	4.38	1.39	4.35	1.40	4.31	1.41	4.24	1.42	4.18	1.43	
5000			5000	96%	-15	3.21	1.45	3.11	1.47	3.02	1.49	2.98	1.50	2.94	1.50	2.87	1.52	2.82	1.53	
					-10	3.84	1.52	3.73	1.55	3.64	1.57	3.60	1.57	3.55	1.58	3.48	1.60	3.42	1.61	
					-5	4.48	1.60	4.36	1.62	4.26	1.64	4.22	1.65	4.17	1.66	4.09	1.68	4.03	1.69	
					0	5.11	1.67	4.99	1.70	4.89	1.72	4.84	1.73	4.79	1.74	4.71	1.76	4.63	1.77	
					2	5.37	1.70	5.25	1.73	5.14	1.75	5.09	1.76	5.04	1.77	4.95	1.79	4.88	1.81	
					7	5.88	1.76	5.75	1.79	5.64	1.81	5.60	1.82	5.54	1.83	5.44	1.85	5.36	1.87	
					10	6.39	1.82	6.26	1.85	6.14	1.87	6.08	1.88	6.03	1.89	5.94	1.92	5.85	1.93	
2000 2000			4000	77%	-15	2.52	0.97	2.44	0.98	2.37	1.00	2.34	1.00	2.31	1.01	2.26	1.02	2.21	1.03	
					-10	3.02	1.02	2.93	1.04	2.86	1.05	2.82	1.06	2.79	1.06	2.74	1.07	2.69	1.08	
					-5	3.52	1.07	3.43	1.09	3.35	1.10	3.31	1.11	3.28	1.11	3.22	1.13	3.16	1.14	
					0	4.02	1.12	3.92	1.14	3.84	1.15	3.80	1.16	3.76	1.17	3.70	1.18	3.64	1.19	
					2	4.22	1.14	4.12	1.16	4.04	1.17	4.00	1.18	3.96	1.19	3.89	1.20	3.83	1.21	
					7	4.62	1.18	4.52	1.20	4.43	1.21	4.40	1.22	4.35	1.23	4.28	1.24	4.21	1.25	
					10	5.02	1.22	4.92	1.24	4.82	1.25	4.78	1.26	4.74	1.27	4.66	1.28	4.60	1.30	
2000 2500			4500	87%	-15	2.92	1.12	2.83	1.14	2.75	1.15	2.71	1.16	2.68	1.17	2.62	1.18	2.56	1.19	
					-10	3.50	1.18	3.40	1.20	3.31	1.21	3.27	1.22	3.24	1.23	3.17	1.24	3.12	1.25	
					-5	4.08	1.24	3.97	1.26	3.88	1.27	3.84	1.28	3.80	1.29	3.73	1.30	3.67	1.31	
					0	4.66	1.30	4.55	1.31	4.45	1.33	4.41	1.34	4.36	1.35	4.29	1.36	4.22	1.37	
					2	4.89	1.32	4.78	1.34	4.68	1.36	4.63	1.36	4.59	1.37	4.51	1.39	4.44	1.40	
					7	5.35	1.36	5.24	1.38	5.13	1.40	5.10	1.41	5.04	1.42	4.96	1.44	4.89	1.45	
					10	5.82	1.41	5.70	1.43	5.59	1.45	5.54	1.46	5.49	1.47	5.41	1.48	5.33	1.50	
15	6.40	1.47	6.28	1.49	6.16	1.51	6.11	1.52	6.06	1.53	5.97	1.54	5.88	1.56						

# 12. Capacity Table

## 12-3. AJ052MCJ3EH/EU

### HEATING

Combination (Capacity Index)				Combination (Total)	Combination (%)	Outdoor Temperature (°C, DB)	Indoor Temperature (°C, DB)															
							14		16		18		20		21		22		24			
							TC(kW)	PI(kW)	TC(kW)	PI(kW)	TC(kW)	PI(kW)	TC(kW)	PI(kW)	TC(kW)	PI(kW)	TC(kW)	PI(kW)	TC(kW)	PI(kW)		
2000	3500			5500	106%	-15	3.21	1.22	3.11	1.24	3.02	1.26	2.98	1.27	2.94	1.27	2.87	1.29	2.82	1.30		
						-10	3.84	1.29	3.73	1.31	3.64	1.32	3.60	1.33	3.55	1.34	3.48	1.35	3.42	1.36		
						-5	4.48	1.35	4.36	1.37	4.26	1.39	4.22	1.40	4.17	1.41	4.09	1.42	4.03	1.43		
						0	5.11	1.42	4.99	1.44	4.89	1.46	4.84	1.46	4.79	1.47	4.71	1.49	4.63	1.50		
						2	5.37	1.44	5.25	1.46	5.14	1.48	5.09	1.49	5.04	1.50	4.95	1.51	4.88	1.53		
						7	5.88	1.49	5.75	1.51	5.64	1.53	5.60	1.54	5.54	1.55	5.44	1.57	5.36	1.58		
						10	6.39	1.54	6.26	1.56	6.14	1.58	6.08	1.59	6.03	1.60	5.94	1.62	5.85	1.64		
2000	5000			7000	135%	-15	3.43	1.32	3.33	1.34	3.23	1.36	3.19	1.36	3.15	1.37	3.08	1.39	3.02	1.40		
						-10	4.11	1.39	4.00	1.41	3.90	1.43	3.85	1.44	3.81	1.44	3.73	1.46	3.67	1.47		
						-5	4.80	1.46	4.67	1.48	4.57	1.50	4.52	1.51	4.47	1.52	4.39	1.53	4.31	1.54		
						0	5.48	1.53	5.35	1.55	5.24	1.57	5.18	1.58	5.13	1.59	5.04	1.60	4.97	1.62		
						2	5.75	1.55	5.62	1.58	5.50	1.60	5.45	1.61	5.40	1.62	5.31	1.63	5.23	1.65		
						7	6.30	1.61	6.16	1.63	6.04	1.65	6.00	1.66	5.93	1.67	5.83	1.69	5.75	1.71		
						10	6.84	1.66	6.70	1.68	6.58	1.71	6.52	1.72	6.46	1.73	6.36	1.75	6.27	1.76		
2500	2500			5000	96%	-15	3.32	1.27	3.22	1.29	3.12	1.31	3.08	1.32	3.04	1.32	2.97	1.34	2.92	1.35		
						-10	3.98	1.34	3.87	1.36	3.77	1.38	3.72	1.38	3.68	1.39	3.61	1.41	3.54	1.42		
						-5	4.64	1.40	4.52	1.43	4.41	1.44	4.37	1.45	4.32	1.46	4.24	1.48	4.17	1.49		
						0	5.29	1.47	5.17	1.49	5.06	1.51	5.01	1.52	4.96	1.53	4.88	1.55	4.80	1.56		
						2	5.56	1.50	5.43	1.52	5.32	1.54	5.27	1.55	5.22	1.56	5.13	1.57	5.05	1.59		
						7	6.09	1.55	5.96	1.57	5.84	1.59	5.80	1.60	5.73	1.61	5.64	1.63	5.56	1.64		
						10	6.62	1.60	6.48	1.62	6.36	1.65	6.30	1.66	6.25	1.67	6.15	1.68	6.06	1.70		
2500	3500			6000	115%	-15	3.32	1.27	3.22	1.29	3.12	1.31	3.08	1.32	3.04	1.32	2.97	1.34	2.92	1.35		
						-10	3.98	1.34	3.87	1.36	3.77	1.38	3.72	1.38	3.68	1.39	3.61	1.41	3.54	1.42		
						-5	4.64	1.40	4.52	1.43	4.41	1.44	4.37	1.45	4.32	1.46	4.24	1.48	4.17	1.49		
						0	5.29	1.47	5.17	1.49	5.06	1.51	5.01	1.52	4.96	1.53	4.88	1.55	4.80	1.56		
						2	5.56	1.50	5.43	1.52	5.32	1.54	5.27	1.55	5.22	1.56	5.13	1.57	5.05	1.59		
						7	6.09	1.55	5.96	1.57	5.84	1.59	5.80	1.60	5.73	1.61	5.64	1.63	5.56	1.64		
						10	6.62	1.60	6.48	1.62	6.36	1.65	6.30	1.66	6.25	1.67	6.15	1.68	6.06	1.70		
2500	5000			7500	144%	-15	3.61	1.38	3.49	1.40	3.39	1.42	3.35	1.43	3.31	1.44	3.23	1.45	3.17	1.46		
						-10	4.32	1.46	4.20	1.48	4.09	1.50	4.04	1.51	4.00	1.51	3.92	1.53	3.85	1.54		
						-5	5.03	1.53	4.91	1.55	4.79	1.57	4.74	1.58	4.69	1.59	4.61	1.61	4.53	1.62		
						0	5.75	1.60	5.62	1.62	5.50	1.64	5.44	1.65	5.39	1.66	5.30	1.68	5.21	1.70		
						2	6.04	1.63	5.90	1.65	5.78	1.67	5.72	1.68	5.67	1.69	5.57	1.71	5.49	1.73		
						7	6.61	1.68	6.47	1.71	6.34	1.73	6.30	1.74	6.23	1.75	6.12	1.77	6.03	1.79		
						10	7.19	1.74	7.04	1.77	6.91	1.79	6.84	1.80	6.79	1.81	6.68	1.83	6.58	1.85		
3500	3500			7000	135%	-15	3.38	1.30	3.27	1.32	3.18	1.33	3.14	1.34	3.10	1.35	3.03	1.36	2.97	1.37		
						-10	4.05	1.36	3.93	1.38	3.83	1.40	3.79	1.41	3.75	1.42	3.67	1.43	3.60	1.44		
						-5	4.72	1.43	4.60	1.45	4.49	1.47	4.44	1.48	4.40	1.49	4.31	1.50	4.24	1.52		
						0	5.39	1.50	5.26	1.52	5.15	1.54	5.10	1.55	5.05	1.56	4.96	1.57	4.88	1.59		
						2	5.65	1.52	5.53	1.55	5.41	1.57	5.36	1.58	5.31	1.59	5.22	1.60	5.14	1.62		
						7	6.19	1.58	6.06	1.60	5.94	1.62	5.90	1.63	5.83	1.64	5.74	1.66	5.65	1.67		
						10	6.73	1.63	6.59	1.65	6.47	1.68	6.41	1.69	6.35	1.70	6.25	1.72	6.16	1.73		
15	7.40	1.70	7.26	1.72	7.13	1.74	7.07	1.75	7.01	1.77	6.90	1.78	6.81	1.80								

# 12. Capacity Table

## 12-3. AJ052MCJ3EH/EU

### HEATING

Combination (Capacity Index)			Combination (Total)	Combination (%)	Outdoor Temperature (°C, DB)	Indoor Temperature (°C, DB)													
						14		16		18		20		21		22		24	
						TC(kW)	PI(kW)	TC(kW)	PI(kW)	TC(kW)	PI(kW)	TC(kW)	PI(kW)	TC(kW)	PI(kW)	TC(kW)	PI(kW)	TC(kW)	PI(kW)
2000	2000	2000	6000	115%	-15	3.32	1.26	3.22	1.28	3.12	1.30	3.08	1.31	3.04	1.31	2.97	1.33	2.92	1.34
					-10	3.98	1.33	3.87	1.35	3.77	1.37	3.72	1.38	3.68	1.38	3.61	1.40	3.54	1.41
					-5	4.64	1.40	4.52	1.42	4.41	1.44	4.37	1.44	4.32	1.45	4.24	1.47	4.17	1.48
					0	5.29	1.46	5.17	1.48	5.06	1.50	5.01	1.51	4.96	1.52	4.88	1.54	4.80	1.55
					2	5.56	1.49	5.43	1.51	5.32	1.53	5.27	1.54	5.22	1.55	5.13	1.56	5.05	1.58
					7	6.09	1.54	5.96	1.56	5.84	1.58	5.80	1.59	5.73	1.60	5.64	1.62	5.56	1.63
					10	6.62	1.59	6.48	1.61	6.36	1.64	6.30	1.65	6.25	1.66	6.15	1.67	6.06	1.69
2000	2000	2500	6500	125%	-15	3.38	1.31	3.27	1.33	3.18	1.35	3.14	1.36	3.10	1.36	3.03	1.38	2.97	1.39
					-10	4.05	1.38	3.93	1.40	3.83	1.42	3.79	1.43	3.75	1.44	3.67	1.45	3.60	1.46
					-5	4.72	1.45	4.60	1.47	4.49	1.49	4.44	1.50	4.40	1.51	4.31	1.52	4.24	1.54
					0	5.39	1.52	5.26	1.54	5.15	1.56	5.10	1.57	5.05	1.58	4.96	1.59	4.88	1.61
					2	5.65	1.54	5.53	1.57	5.41	1.59	5.36	1.60	5.31	1.61	5.22	1.62	5.14	1.64
					7	6.19	1.60	6.06	1.62	5.94	1.64	5.90	1.65	5.83	1.66	5.74	1.68	5.65	1.70
					10	6.73	1.65	6.59	1.67	6.47	1.70	6.41	1.71	6.35	1.72	6.25	1.74	6.16	1.75
2000	2000	3500	7500	144%	-15	3.61	1.32	3.49	1.34	3.39	1.36	3.35	1.36	3.31	1.37	3.23	1.39	3.17	1.40
					-10	4.32	1.39	4.20	1.41	4.09	1.43	4.04	1.44	4.00	1.44	3.92	1.46	3.85	1.47
					-5	5.03	1.46	4.91	1.48	4.79	1.50	4.74	1.51	4.69	1.52	4.61	1.53	4.53	1.54
					0	5.75	1.53	5.62	1.55	5.50	1.57	5.44	1.58	5.39	1.59	5.30	1.60	5.21	1.62
					2	6.04	1.55	5.90	1.58	5.78	1.60	5.72	1.61	5.67	1.62	5.57	1.63	5.49	1.65
					7	6.61	1.61	6.47	1.63	6.34	1.65	6.30	1.66	6.23	1.67	6.12	1.69	6.03	1.71
					10	7.19	1.66	7.04	1.68	6.91	1.71	6.84	1.72	6.79	1.73	6.68	1.75	6.58	1.76
2000	2500	2500	7000	135%	-15	3.43	1.26	3.33	1.28	3.23	1.30	3.19	1.31	3.15	1.31	3.08	1.33	3.02	1.34
					-10	4.11	1.33	4.00	1.35	3.90	1.37	3.85	1.38	3.81	1.38	3.73	1.40	3.67	1.41
					-5	4.80	1.40	4.67	1.42	4.57	1.44	4.52	1.44	4.47	1.45	4.39	1.47	4.31	1.48
					0	5.48	1.46	5.35	1.48	5.24	1.50	5.18	1.51	5.13	1.52	5.04	1.54	4.97	1.55
					2	5.75	1.49	5.62	1.51	5.50	1.53	5.45	1.54	5.40	1.55	5.31	1.56	5.23	1.58
					7	6.30	1.54	6.16	1.56	6.04	1.58	6.00	1.59	5.93	1.60	5.83	1.62	5.75	1.63
					10	6.84	1.59	6.70	1.61	6.58	1.64	6.52	1.65	6.46	1.66	6.36	1.67	6.27	1.69
2000	2500	3500	8000	154%	-15	3.61	1.30	3.49	1.32	3.39	1.33	3.35	1.34	3.31	1.35	3.23	1.36	3.17	1.37
					-10	4.32	1.36	4.20	1.38	4.09	1.40	4.04	1.41	4.00	1.42	3.92	1.43	3.85	1.44
					-5	5.03	1.43	4.91	1.45	4.79	1.47	4.74	1.48	4.69	1.49	4.61	1.50	4.53	1.52
					0	5.75	1.50	5.62	1.52	5.50	1.54	5.44	1.55	5.39	1.56	5.30	1.57	5.21	1.59
					2	6.04	1.52	5.90	1.55	5.78	1.57	5.72	1.58	5.67	1.59	5.57	1.60	5.49	1.62
					7	6.61	1.58	6.47	1.60	6.34	1.62	6.30	1.63	6.23	1.64	6.12	1.66	6.03	1.67
					10	7.19	1.63	7.04	1.65	6.91	1.68	6.84	1.69	6.79	1.70	6.68	1.72	6.58	1.73
2500	2500	2500	7500	144%	-15	3.61	1.11	3.49	1.13	3.39	1.14	3.35	1.15	3.31	1.16	3.23	1.17	3.17	1.18
					-10	4.32	1.17	4.20	1.19	4.09	1.20	4.04	1.21	4.00	1.22	3.92	1.23	3.85	1.24
					-5	5.03	1.23	4.91	1.25	4.79	1.26	4.74	1.27	4.69	1.28	4.61	1.29	4.53	1.30
					0	5.75	1.29	5.62	1.31	5.50	1.32	5.44	1.33	5.39	1.34	5.30	1.35	5.21	1.36
					2	6.04	1.31	5.90	1.33	5.78	1.35	5.72	1.35	5.67	1.36	5.57	1.38	5.49	1.39
					7	6.61	1.35	6.47	1.37	6.34	1.39	6.30	1.40	6.23	1.41	6.12	1.43	6.03	1.44
					10	7.19	1.40	7.04	1.42	6.91	1.44	6.84	1.45	6.79	1.46	6.68	1.47	6.58	1.49
15	7.91	1.46	7.75	1.48	7.61	1.50	7.55	1.51	7.49	1.52	7.37	1.53	7.27	1.55					



# 12. Capacity Table

## 12-3. AJ052MCJ3EH/EU

### HEATING

Combination (Capacity Index)				Combination (Total)	Combination (%)	Outdoor Temperature (°C, DB)	Indoor Temperature (°C, DB)													
							14		16		18		20		21		22		24	
							TC(kW)	PI(kW)	TC(kW)	PI(kW)	TC(kW)	PI(kW)	TC(kW)	PI(kW)	TC(kW)	PI(kW)	TC(kW)	PI(kW)	TC(kW)	PI(kW)
2500	2500	3500		8500	163%	-15	3.61	1.11	3.49	1.13	3.39	1.14	3.35	1.15	3.31	1.16	3.23	1.17	3.17	1.18
						-10	4.32	1.17	4.20	1.19	4.09	1.20	4.04	1.21	4.00	1.22	3.92	1.23	3.85	1.24
						-5	5.03	1.23	4.91	1.25	4.79	1.26	4.74	1.27	4.69	1.28	4.61	1.29	4.53	1.30
						0	5.75	1.29	5.62	1.31	5.50	1.32	5.44	1.33	5.39	1.34	5.30	1.35	5.21	1.36
						2	6.04	1.31	5.90	1.33	5.78	1.35	5.72	1.35	5.67	1.36	5.57	1.38	5.49	1.39
						7	6.61	1.35	6.47	1.37	6.34	1.39	6.30	1.40	6.23	1.41	6.12	1.43	6.03	1.44
						10	7.19	1.40	7.04	1.42	6.91	1.44	6.84	1.45	6.79	1.46	6.68	1.47	6.58	1.49
						15	7.91	1.46	7.75	1.48	7.61	1.50	7.55	1.51	7.49	1.52	7.37	1.53	7.27	1.55

### NOTE

- Cooling capacity is based on 27°CDB / 19°CWB (indoor temperature), 35°CDB (outdoor temperature).
- Heating capacity is based on 20°CDB (indoor temperature), 7°CDB/6°CWB (outdoor temperature).
- The above is the value for connecting with the following indoor units.
  - 2000, 2500, 3500, 5000W class: Wall Mounted [only for A3050 Better Series]
- Capacities are based on the following conditions:
  - Corresponding refrigerant piping length : 5m / - Level difference : 0m
- The total ability of connected a indoor unit is up to 8.0kW
- It is impossible to connect the indoor unit for one room only.
- This data is reference data for temperature capacity trend.

# 12. Capacity Table

## 12-4. AJ068MCJ3EH/EU

### COOLING

Combination (Capacity Index)				Combination (Total)	Combination (%)	Outdoor Temperature (°C, DB)	Indoor Temperature (°C, WB)													
							14		16		18		19		20		22		24	
							TC(kW)	PI(kW)	TC(kW)	PI(kW)	TC(kW)	PI(kW)	TC(kW)	PI(kW)	TC(kW)	PI(kW)	TC(kW)	PI(kW)	TC(kW)	PI(kW)
2000				2000	29%	10	1.60	0.36	2.32	0.41	2.42	0.44	2.46	0.46	2.51	0.47	2.61	0.49	2.71	0.51
						12	1.60	0.38	2.28	0.42	2.38	0.45	2.43	0.47	2.48	0.48	2.57	0.50	2.67	0.52
						14	1.60	0.40	2.24	0.44	2.34	0.47	2.39	0.48	2.44	0.50	2.53	0.52	2.63	0.53
						16	1.60	0.41	2.21	0.45	2.30	0.48	2.35	0.50	2.40	0.51	2.50	0.53	2.59	0.54
						18	1.60	0.43	2.17	0.47	2.27	0.50	2.31	0.51	2.36	0.52	2.46	0.54	2.55	0.55
						20	1.60	0.45	2.13	0.48	2.23	0.51	2.28	0.52	2.32	0.53	2.42	0.55	2.52	0.56
						21	1.60	0.46	2.12	0.49	2.21	0.52	2.26	0.53	2.30	0.54	2.40	0.56	2.50	0.57
						23	1.60	0.48	2.08	0.51	2.17	0.53	2.22	0.55	2.27	0.56	2.36	0.57	2.46	0.58
						25	1.60	0.49	2.04	0.53	2.14	0.55	2.18	0.56	2.23	0.57	2.32	0.58	2.42	0.59
						27	1.60	0.51	2.01	0.54	2.10	0.57	2.15	0.58	2.19	0.58	2.29	0.60	2.38	0.60
						29	1.60	0.53	1.97	0.56	2.06	0.58	2.11	0.59	2.16	0.60	2.25	0.61	2.34	0.61
						31	1.60	0.55	1.94	0.58	2.03	0.60	2.07	0.61	2.12	0.61	2.21	0.62	2.30	0.62
						33	1.60	0.57	1.90	0.60	1.99	0.61	2.04	0.62	2.08	0.63	2.17	0.64	2.27	0.64
						35	1.60	0.59	1.86	0.61	1.95	0.63	2.00	0.63	2.04	0.64	2.14	0.65	2.23	0.65
						37	1.60	0.61	1.83	0.63	1.92	0.65	1.96	0.65	2.01	0.66	2.10	0.66	2.19	0.66
						39	1.60	0.63	1.79	0.65	1.88	0.67	1.93	0.67	1.97	0.68	2.06	0.68	2.15	0.68
42	1.58	0.66	1.74	0.68	1.83	0.69	1.87	0.70	1.92	0.70	2.01	0.70	2.10	0.70						
44	1.50	0.68	1.71	0.70	1.79	0.71	1.84	0.71	1.88	0.72	1.97	0.72	2.06	0.71						
46	1.46	0.70	1.67	0.72	1.76	0.73	1.80	0.73	1.84	0.73	1.93	0.73	2.02	0.72						
2500				2500	37%	10	2.00	0.46	2.90	0.51	3.02	0.55	3.08	0.57	3.14	0.59	3.26	0.62	3.39	0.64
						12	2.00	0.48	2.85	0.53	2.97	0.57	3.03	0.59	3.09	0.60	3.22	0.63	3.34	0.65
						14	2.00	0.50	2.80	0.55	2.93	0.59	2.99	0.61	3.05	0.62	3.17	0.65	3.29	0.66
						16	2.00	0.52	2.76	0.57	2.88	0.61	2.94	0.62	3.00	0.64	3.12	0.66	3.24	0.68
						18	2.00	0.54	2.71	0.59	2.83	0.62	2.89	0.64	2.95	0.65	3.07	0.68	3.19	0.69
						20	2.00	0.56	2.67	0.61	2.79	0.64	2.85	0.66	2.90	0.67	3.02	0.69	3.14	0.70
						21	2.00	0.58	2.64	0.62	2.76	0.65	2.82	0.67	2.88	0.68	3.00	0.70	3.12	0.71
						23	2.00	0.60	2.60	0.64	2.72	0.67	2.78	0.68	2.83	0.70	2.95	0.71	3.07	0.72
						25	2.00	0.62	2.55	0.66	2.67	0.69	2.73	0.70	2.79	0.71	2.91	0.73	3.02	0.74
						27	2.00	0.64	2.51	0.68	2.62	0.71	2.68	0.72	2.74	0.73	2.86	0.75	2.98	0.75
						29	2.00	0.67	2.46	0.70	2.58	0.73	2.64	0.74	2.69	0.75	2.81	0.76	2.93	0.77
						31	2.00	0.69	2.42	0.72	2.53	0.75	2.59	0.76	2.65	0.77	2.76	0.78	2.88	0.78
						33	2.00	0.71	2.37	0.75	2.49	0.77	2.54	0.78	2.60	0.79	2.72	0.80	2.83	0.80
						35	2.00	0.74	2.33	0.77	2.44	0.79	2.50	0.79	2.56	0.81	2.67	0.81	2.78	0.82
						37	2.00	0.76	2.29	0.79	2.40	0.81	2.45	0.82	2.51	0.83	2.62	0.83	2.74	0.83
						39	2.00	0.79	2.24	0.82	2.35	0.84	2.41	0.84	2.46	0.85	2.58	0.85	2.69	0.85
42	1.98	0.83	2.18	0.85	2.29	0.87	2.34	0.87	2.40	0.88	2.51	0.88	2.62	0.87						
44	1.88	0.85	2.13	0.88	2.24	0.89	2.30	0.90	2.35	0.90	2.46	0.90	2.57	0.89						
46	1.83	0.88	2.09	0.90	2.20	0.91	2.25	0.92	2.30	0.92	2.41	0.92	2.53	0.91						

# 12. Capacity Table

## 12-4. AJ068MCJ3EH/EU

### COOLING

Combination (Capacity Index)				Combination (Total)	Combination (%)	Outdoor Temperature (°C, DB)	Indoor Temperature (°C, WB)															
							14		16		18		19		20		22		24			
							TC(kW)	PI(kW)	TC(kW)	PI(kW)	TC(kW)	PI(kW)	TC(kW)	PI(kW)	TC(kW)	PI(kW)	TC(kW)	PI(kW)	TC(kW)	PI(kW)		
3500				3500	51%	10	2.80	0.62	4.06	0.69	4.23	0.75	4.31	0.77	4.40	0.80	4.57	0.84	4.74	0.87		
						12	2.80	0.65	3.99	0.71	4.16	0.77	4.25	0.80	4.33	0.82	4.50	0.86	4.68	0.88		
						14	2.80	0.68	3.93	0.74	4.10	0.80	4.18	0.82	4.26	0.84	4.44	0.88	4.61	0.90		
						16	2.80	0.70	3.86	0.77	4.03	0.82	4.11	0.84	4.20	0.86	4.37	0.90	4.54	0.92		
						18	2.80	0.73	3.80	0.79	3.96	0.84	4.05	0.87	4.13	0.89	4.30	0.92	4.47	0.94		
						20	2.80	0.76	3.73	0.82	3.90	0.87	3.98	0.89	4.07	0.91	4.23	0.94	4.40	0.95		
						21	2.80	0.78	3.70	0.84	3.87	0.88	3.95	0.90	4.03	0.92	4.20	0.95	4.37	0.96		
						23	2.80	0.81	3.64	0.86	3.80	0.91	3.89	0.93	3.97	0.94	4.13	0.97	4.30	0.98		
						25	2.80	0.84	3.58	0.89	3.74	0.93	3.82	0.95	3.90	0.97	4.07	0.99	4.23	1.00		
						27	2.80	0.87	3.51	0.92	3.67	0.96	3.76	0.98	3.84	0.99	4.00	1.01	4.17	1.02		
						29	2.80	0.90	3.45	0.95	3.61	0.99	3.69	1.00	3.77	1.02	3.93	1.03	4.10	1.04		
						31	2.80	0.94	3.39	0.98	3.55	1.02	3.63	1.03	3.71	1.04	3.87	1.06	4.03	1.06		
						33	2.80	0.97	3.32	1.01	3.48	1.04	3.56	1.06	3.64	1.07	3.80	1.08	3.97	1.08		
						35	2.80	1.00	3.26	1.04	3.42	1.07	3.50	1.07	3.58	1.09	3.74	1.10	3.90	1.10		
						37	2.80	1.03	3.20	1.07	3.36	1.10	3.43	1.11	3.51	1.12	3.67	1.13	3.83	1.13		
						39	2.80	1.07	3.14	1.11	3.29	1.13	3.37	1.14	3.45	1.15	3.61	1.15	3.77	1.15		
42	2.77	1.12	3.05	1.15	3.20	1.18	3.28	1.18	3.35	1.19	3.51	1.19	3.67	1.18								
44	2.63	1.16	2.98	1.19	3.14	1.21	3.21	1.21	3.29	1.22	3.45	1.22	3.60	1.21								
46	2.56	1.19	2.92	1.22	3.07	1.24	3.15	1.24	3.23	1.25	3.38	1.24	3.54	1.23								
5000				5000	74%	10	4.00	0.94	5.79	1.04	6.04	1.13	6.16	1.17	6.28	1.21	6.53	1.27	6.78	1.31		
						12	4.00	0.98	5.70	1.08	5.94	1.17	6.07	1.21	6.19	1.24	6.43	1.30	6.68	1.34		
						14	4.00	1.02	5.61	1.12	5.85	1.21	5.97	1.24	6.09	1.27	6.34	1.33	6.58	1.36		
						16	4.00	1.07	5.52	1.16	5.76	1.24	5.88	1.28	6.00	1.31	6.24	1.36	6.48	1.39		
						18	4.00	1.11	5.43	1.20	5.66	1.28	5.78	1.31	5.90	1.34	6.14	1.39	6.39	1.42		
						20	4.00	1.16	5.34	1.24	5.57	1.32	5.69	1.35	5.81	1.37	6.05	1.42	6.29	1.44		
						21	4.00	1.18	5.29	1.27	5.53	1.34	5.64	1.37	5.76	1.39	6.00	1.43	6.24	1.46		
						23	4.00	1.23	5.20	1.31	5.43	1.38	5.55	1.40	5.67	1.43	5.91	1.46	6.14	1.49		
						25	4.00	1.27	5.11	1.35	5.34	1.42	5.46	1.44	5.57	1.46	5.81	1.50	6.05	1.52		
						27	4.00	1.32	5.02	1.40	5.25	1.46	5.37	1.48	5.48	1.50	5.72	1.53	5.95	1.55		
						29	4.00	1.37	4.93	1.44	5.16	1.50	5.27	1.52	5.39	1.54	5.62	1.56	5.86	1.58		
						31	4.00	1.42	4.84	1.49	5.07	1.54	5.18	1.56	5.30	1.58	5.53	1.60	5.76	1.61		
						33	4.00	1.47	4.75	1.53	4.98	1.58	5.09	1.60	5.20	1.62	5.43	1.64	5.66	1.64		
						35	4.00	1.52	4.66	1.58	4.89	1.62	5.00	1.62	5.11	1.66	5.34	1.67	5.57	1.67		
						37	4.00	1.57	4.57	1.63	4.79	1.67	4.91	1.68	5.02	1.70	5.25	1.71	5.47	1.70		
						39	4.00	1.62	4.48	1.67	4.70	1.71	4.82	1.73	4.93	1.74	5.15	1.75	5.38	1.74		
42	3.95	1.70	4.35	1.75	4.57	1.78	4.68	1.79	4.79	1.80	5.01	1.80	5.24	1.79								
44	3.75	1.75	4.26	1.80	4.48	1.83	4.59	1.84	4.70	1.84	4.92	1.84	5.14	1.83								
46	3.65	1.80	4.18	1.85	4.39	1.87	4.50	1.88	4.61	1.89	4.83	1.88	5.05	1.86								

# 12. Capacity Table

## 12-4. AJ068MCJ3EH/EU

### COOLING

Combination (Capacity Index)				Combination (Total)	Combination (%)	Outdoor Temperature (°C, DB)	Indoor Temperature (°C, WB)													
							14		16		18		19		20		22		24	
							TC(kW)	PI(kW)	TC(kW)	PI(kW)	TC(kW)	PI(kW)	TC(kW)	PI(kW)	TC(kW)	PI(kW)	TC(kW)	PI(kW)	TC(kW)	PI(kW)
2000	2000			4000	59%	10	3.53	0.87	4.99	0.89	5.08	0.91	5.14	0.92	5.20	0.94	5.35	0.95	5.52	0.97
						12	3.53	0.89	4.85	0.91	4.95	0.94	5.01	0.95	5.08	0.96	5.23	0.98	5.41	1.00
						14	3.53	0.92	4.72	0.94	4.83	0.96	4.89	0.97	4.96	0.98	5.12	1.00	5.31	1.02
						16	3.53	0.94	4.60	0.96	4.71	0.98	4.78	0.99	4.85	1.00	5.02	1.02	5.21	1.04
						18	3.53	0.96	4.48	0.98	4.60	1.01	4.67	1.02	4.75	1.03	4.92	1.04	5.12	1.06
						20	3.53	0.99	4.36	1.01	4.49	1.03	4.57	1.04	4.65	1.05	4.83	1.07	5.03	1.09
						21	3.53	1.00	4.31	1.02	4.44	1.04	4.52	1.05	4.60	1.06	4.78	1.08	4.99	1.10
						23	3.53	1.03	4.20	1.05	4.34	1.07	4.42	1.08	4.51	1.09	4.70	1.11	4.91	1.13
						25	3.53	1.05	4.10	1.07	4.25	1.09	4.33	1.10	4.42	1.11	4.62	1.13	4.84	1.15
						27	3.53	1.08	4.01	1.10	4.16	1.12	4.25	1.13	4.34	1.14	4.55	1.16	4.78	1.18
						29	3.53	1.11	3.92	1.13	4.08	1.15	4.17	1.16	4.27	1.17	4.48	1.19	4.72	1.20
						31	3.53	1.13	3.84	1.15	4.01	1.18	4.10	1.19	4.20	1.19	4.42	1.21	4.66	1.23
						33	3.53	1.16	3.76	1.18	3.94	1.20	4.03	1.21	4.13	1.22	4.36	1.24	4.61	1.26
						35	3.53	1.19	3.69	1.21	3.87	1.23	4.00	1.24	4.08	1.25	4.31	1.27	4.57	1.29
						37	3.53	1.22	3.62	1.24	3.81	1.26	3.91	1.27	4.02	1.28	4.26	1.30	4.53	1.32
						39	3.53	1.25	3.56	1.27	3.76	1.29	3.86	1.30	3.98	1.31	4.22	1.33	4.49	1.35
42	3.53	1.30	3.48	1.32	3.69	1.34	3.80	1.35	3.92	1.36	4.17	1.38	4.46	1.40						
44	3.53	1.33	3.44	1.35	3.65	1.37	3.76	1.38	3.89	1.39	4.15	1.41	4.44	1.43						
46	3.53	1.37	3.39	1.39	3.61	1.41	3.73	1.42	3.86	1.43	4.13	1.44	4.42	1.46						
2000	2500			4500	66%	10	3.98	0.99	5.61	1.02	5.72	1.04	5.78	1.05	5.85	1.06	6.01	1.09	6.21	1.11
						12	3.98	1.02	5.46	1.04	5.57	1.06	5.64	1.08	5.71	1.09	5.89	1.11	6.09	1.13
						14	3.98	1.04	5.31	1.07	5.43	1.09	5.50	1.10	5.58	1.11	5.76	1.14	5.97	1.16
						16	3.98	1.07	5.17	1.09	5.30	1.12	5.38	1.13	5.46	1.14	5.65	1.16	5.86	1.18
						18	3.98	1.09	5.04	1.12	5.17	1.14	5.25	1.15	5.34	1.17	5.53	1.19	5.76	1.21
						20	3.98	1.12	4.91	1.15	5.05	1.17	5.14	1.18	5.23	1.19	5.43	1.22	5.66	1.24
						21	3.98	1.14	4.85	1.16	5.00	1.18	5.08	1.20	5.17	1.21	5.38	1.23	5.62	1.25
						23	3.98	1.17	4.73	1.19	4.89	1.21	4.98	1.23	5.07	1.24	5.29	1.26	5.53	1.28
						25	3.98	1.20	4.62	1.22	4.78	1.24	4.87	1.25	4.98	1.27	5.20	1.29	5.45	1.31
						27	3.98	1.23	4.51	1.25	4.68	1.27	4.78	1.28	4.88	1.30	5.11	1.32	5.37	1.34
						29	3.98	1.26	4.41	1.28	4.59	1.30	4.69	1.32	4.80	1.33	5.04	1.35	5.30	1.37
						31	3.98	1.29	4.32	1.31	4.51	1.34	4.61	1.35	4.72	1.36	4.97	1.38	5.24	1.40
						33	3.98	1.32	4.23	1.35	4.43	1.37	4.54	1.38	4.65	1.39	4.90	1.41	5.19	1.43
						35	3.98	1.36	4.15	1.38	4.35	1.40	4.50	1.41	4.59	1.42	4.85	1.45	5.14	1.47
						37	3.98	1.39	4.08	1.41	4.29	1.44	4.40	1.45	4.53	1.46	4.80	1.48	5.09	1.50
						39	3.98	1.42	4.01	1.45	4.23	1.47	4.35	1.48	4.48	1.49	4.75	1.51	5.06	1.53
42	3.98	1.48	3.92	1.50	4.15	1.52	4.27	1.54	4.41	1.55	4.70	1.57	5.01	1.59						
44	3.98	1.52	3.87	1.54	4.10	1.56	4.23	1.57	4.37	1.58	4.67	1.60	4.99	1.62						
46	3.98	1.55	3.82	1.58	4.07	1.60	4.20	1.61	4.34	1.62	4.64	1.64	4.98	1.66						

# 12. Capacity Table

## 12-4. AJ068MCJ3EH/EU

### COOLING

Combination (Capacity Index)				Combination (Total)	Combination (%)	Outdoor Temperature (°C, DB)	Indoor Temperature (°C, WB)															
							14		16		18		19		20		22		24			
							TC(kW)	PI(kW)	TC(kW)	PI(kW)	TC(kW)	PI(kW)	TC(kW)	PI(kW)	TC(kW)	PI(kW)	TC(kW)	PI(kW)	TC(kW)	PI(kW)		
2000	3500			5500	81%	10	4.86	1.29	6.86	1.32	6.99	1.35	7.06	1.36	7.15	1.38	7.35	1.41	7.59	1.44		
						12	4.86	1.32	6.67	1.35	6.81	1.38	6.89	1.40	6.98	1.41	7.19	1.44	7.44	1.47		
						14	4.86	1.35	6.49	1.38	6.64	1.41	6.73	1.43	6.82	1.44	7.04	1.47	7.30	1.50		
						16	4.86	1.39	6.32	1.42	6.48	1.45	6.57	1.46	6.67	1.48	6.90	1.51	7.16	1.54		
						18	4.86	1.42	6.16	1.45	6.32	1.48	6.42	1.50	6.53	1.51	6.76	1.54	7.04	1.57		
						20	4.86	1.46	6.00	1.49	6.18	1.52	6.28	1.53	6.39	1.55	6.64	1.58	6.92	1.61		
						21	4.86	1.48	5.92	1.51	6.11	1.54	6.21	1.55	6.32	1.57	6.58	1.60	6.86	1.62		
						23	4.86	1.51	5.78	1.54	5.97	1.58	6.08	1.59	6.20	1.60	6.46	1.63	6.76	1.66		
						25	4.86	1.55	5.64	1.58	5.84	1.61	5.96	1.63	6.08	1.64	6.35	1.67	6.66	1.70		
						27	4.86	1.59	5.51	1.62	5.72	1.65	5.84	1.67	5.97	1.68	6.25	1.71	6.57	1.74		
						29	4.86	1.63	5.39	1.66	5.61	1.69	5.74	1.71	5.87	1.72	6.16	1.75	6.48	1.78		
						31	4.86	1.67	5.28	1.70	5.51	1.73	5.64	1.75	5.77	1.76	6.07	1.79	6.41	1.82		
						33	4.86	1.72	5.17	1.75	5.41	1.78	5.54	1.79	5.69	1.81	5.99	1.83	6.34	1.86		
						35	4.86	1.76	5.07	1.79	5.32	1.82	5.50	1.83	5.61	1.85	5.92	1.88	6.28	1.90		
						37	4.86	1.80	4.98	1.83	5.24	1.86	5.38	1.88	5.53	1.89	5.86	1.92	6.23	1.95		
						39	4.86	1.85	4.90	1.88	5.17	1.91	5.31	1.92	5.47	1.94	5.81	1.97	6.18	1.99		
42	4.86	1.92	4.79	1.95	5.07	1.98	5.22	1.99	5.39	2.01	5.74	2.03	6.13	2.06								
44	4.86	1.97	4.72	2.00	5.02	2.03	5.17	2.04	5.34	2.05	5.70	2.08	6.10	2.11								
46	4.86	2.02	4.67	2.05	4.97	2.08	5.13	2.09	5.30	2.10	5.68	2.13	6.08	2.16								
2000	5000			7000	103%	10	5.74	1.41	8.10	1.44	8.26	1.47	8.35	1.49	8.45	1.51	8.69	1.54	8.97	1.57		
						12	5.74	1.44	7.88	1.48	8.05	1.51	8.15	1.53	8.25	1.54	8.50	1.57	8.79	1.61		
						14	5.74	1.48	7.67	1.51	7.85	1.55	7.95	1.56	8.06	1.58	8.32	1.61	8.62	1.64		
						16	5.74	1.51	7.47	1.55	7.66	1.58	7.76	1.60	7.88	1.62	8.15	1.65	8.47	1.68		
						18	5.74	1.55	7.28	1.59	7.47	1.62	7.59	1.64	7.71	1.65	7.99	1.69	8.32	1.72		
						20	5.74	1.59	7.09	1.63	7.30	1.66	7.42	1.68	7.55	1.69	7.84	1.72	8.18	1.75		
						21	5.74	1.61	7.00	1.65	7.22	1.68	7.34	1.70	7.47	1.71	7.77	1.74	8.11	1.77		
						23	5.74	1.65	6.83	1.69	7.06	1.72	7.19	1.74	7.33	1.75	7.63	1.78	7.99	1.81		
						25	5.74	1.70	6.67	1.73	6.91	1.76	7.04	1.78	7.19	1.80	7.51	1.83	7.87	1.86		
						27	5.74	1.74	6.52	1.77	6.77	1.81	6.91	1.82	7.06	1.84	7.39	1.87	7.76	1.90		
						29	5.74	1.78	6.37	1.82	6.63	1.85	6.78	1.87	6.93	1.88	7.28	1.91	7.66	1.94		
						31	5.74	1.83	6.24	1.86	6.51	1.90	6.66	1.91	6.82	1.93	7.18	1.96	7.57	1.99		
						33	5.74	1.87	6.11	1.91	6.40	1.94	6.55	1.96	6.72	1.97	7.08	2.00	7.49	2.03		
						35	5.74	1.92	6.00	1.96	6.29	1.99	6.50	2.00	6.63	2.02	7.00	2.05	7.42	2.08		
						37	5.74	1.97	5.89	2.00	6.19	2.04	6.36	2.05	6.54	2.07	6.93	2.10	7.36	2.13		
						39	5.74	2.02	5.79	2.05	6.11	2.09	6.28	2.10	6.46	2.12	6.86	2.15	7.30	2.18		
42	5.74	2.10	5.66	2.13	5.99	2.16	6.17	2.18	6.37	2.19	6.78	2.22	7.24	2.25								
44	5.74	2.15	5.58	2.18	5.93	2.21	6.12	2.23	6.31	2.25	6.74	2.28	7.21	2.30								
46	5.74	2.20	5.52	2.24	5.87	2.27	6.07	2.28	6.27	2.30	6.71	2.33	7.19	2.36								

# 12. Capacity Table

## 12-4. AJ068MCJ3EH/EU

### COOLING

Combination (Capacity Index)				Combination (Total)	Combination (%)	Outdoor Temperature (°C, DB)	Indoor Temperature (°C, WB)													
							14		16		18		19		20		22		24	
							TC(kW)	PI(kW)	TC(kW)	PI(kW)	TC(kW)	PI(kW)	TC(kW)	PI(kW)	TC(kW)	PI(kW)	TC(kW)	PI(kW)	TC(kW)	PI(kW)
2500	2500			5000	74%	10	4.42	1.17	6.23	1.20	6.35	1.22	6.42	1.24	6.50	1.25	6.68	1.28	6.90	1.30
						12	4.42	1.20	6.06	1.22	6.19	1.25	6.27	1.27	6.35	1.28	6.54	1.31	6.76	1.33
						14	4.42	1.23	5.90	1.25	6.04	1.28	6.12	1.30	6.20	1.31	6.40	1.34	6.63	1.36
						16	4.42	1.26	5.75	1.29	5.89	1.31	5.97	1.33	6.06	1.34	6.27	1.37	6.51	1.39
						18	4.42	1.29	5.60	1.32	5.75	1.35	5.84	1.36	5.93	1.37	6.15	1.40	6.40	1.42
						20	4.42	1.32	5.45	1.35	5.62	1.38	5.71	1.39	5.81	1.41	6.03	1.43	6.29	1.46
						21	4.42	1.34	5.39	1.37	5.55	1.39	5.65	1.41	5.75	1.42	5.98	1.45	6.24	1.47
						23	4.42	1.37	5.25	1.40	5.43	1.43	5.53	1.44	5.63	1.46	5.87	1.48	6.14	1.51
						25	4.42	1.41	5.13	1.44	5.31	1.46	5.42	1.48	5.53	1.49	5.77	1.52	6.05	1.54
						27	4.42	1.44	5.01	1.47	5.20	1.50	5.31	1.51	5.43	1.53	5.68	1.55	5.97	1.58
						29	4.42	1.48	4.90	1.51	5.10	1.54	5.21	1.55	5.33	1.56	5.60	1.59	5.89	1.61
						31	4.42	1.52	4.80	1.55	5.01	1.57	5.12	1.59	5.25	1.60	5.52	1.63	5.82	1.65
						33	4.42	1.56	4.70	1.58	4.92	1.61	5.04	1.62	5.17	1.64	5.45	1.66	5.76	1.69
						35	4.42	1.60	4.61	1.62	4.84	1.65	5.00	1.66	5.10	1.68	5.39	1.70	5.71	1.73
						37	4.42	1.64	4.53	1.66	4.76	1.69	4.89	1.70	5.03	1.72	5.33	1.74	5.66	1.77
						39	4.42	1.68	4.45	1.71	4.70	1.73	4.83	1.74	4.97	1.76	5.28	1.78	5.62	1.81
42	4.42	1.74	4.35	1.77	4.61	1.80	4.75	1.81	4.90	1.82	5.22	1.85	5.57	1.87						
44	4.42	1.78	4.30	1.81	4.56	1.84	4.70	1.85	4.86	1.86	5.18	1.89	5.55	1.91						
46	4.42	1.83	4.24	1.86	4.52	1.88	4.67	1.90	4.82	1.91	5.16	1.93	5.53	1.96						
2500	3500			6000	88%	10	5.30	1.39	7.48	1.43	7.62	1.46	7.71	1.48	7.80	1.49	8.02	1.52	8.28	1.56
						12	5.30	1.43	7.28	1.46	7.43	1.49	7.52	1.51	7.62	1.53	7.85	1.56	8.11	1.59
						14	5.30	1.46	7.08	1.50	7.24	1.53	7.34	1.55	7.44	1.56	7.68	1.59	7.96	1.62
						16	5.30	1.50	6.89	1.53	7.07	1.57	7.17	1.58	7.28	1.60	7.53	1.63	7.81	1.66
						18	5.30	1.54	6.72	1.57	6.90	1.61	7.00	1.62	7.12	1.64	7.38	1.67	7.68	1.70
						20	5.30	1.58	6.55	1.61	6.74	1.64	6.85	1.66	6.97	1.68	7.24	1.71	7.55	1.74
						21	5.30	1.60	6.46	1.63	6.66	1.66	6.78	1.68	6.90	1.70	7.17	1.73	7.49	1.76
						23	5.30	1.64	6.31	1.67	6.51	1.70	6.63	1.72	6.76	1.74	7.05	1.77	7.37	1.80
						25	5.30	1.68	6.16	1.71	6.38	1.75	6.50	1.76	6.63	1.78	6.93	1.81	7.26	1.84
						27	5.30	1.72	6.02	1.76	6.25	1.79	6.37	1.80	6.51	1.82	6.82	1.85	7.16	1.88
						29	5.30	1.77	5.88	1.80	6.12	1.83	6.26	1.85	6.40	1.86	6.72	1.89	7.07	1.92
						31	5.30	1.81	5.76	1.84	6.01	1.88	6.15	1.89	6.30	1.91	6.62	1.94	6.99	1.97
						33	5.30	1.86	5.64	1.89	5.90	1.92	6.05	1.94	6.20	1.95	6.54	1.98	6.92	2.01
						35	5.30	1.90	5.54	1.94	5.81	1.97	6.00	1.98	6.12	2.00	6.46	2.03	6.85	2.06
						37	5.30	1.95	5.44	1.98	5.72	2.02	5.87	2.03	6.04	2.05	6.39	2.08	6.79	2.11
						39	5.30	2.00	5.34	2.03	5.64	2.07	5.80	2.08	5.97	2.10	6.34	2.13	6.74	2.15
42	5.30	2.08	5.22	2.11	5.53	2.14	5.70	2.16	5.88	2.17	6.26	2.20	6.68	2.23						
44	5.30	2.13	5.15	2.16	5.47	2.19	5.64	2.21	5.83	2.22	6.22	2.25	6.65	2.28						
46	5.30	2.18	5.09	2.21	5.42	2.25	5.60	2.26	5.79	2.28	6.19	2.30	6.63	2.33						

# 12. Capacity Table

## 12-4. AJ068MCJ3EH/EU

### COOLING

Combination (Capacity Index)				Combination (Total)	Combination (%)	Outdoor Temperature (°C, DB)	Indoor Temperature (°C, WB)															
							14		16		18		19		20		22		24			
							TC(kW)	PI(kW)	TC(kW)	PI(kW)	TC(kW)	PI(kW)	TC(kW)	PI(kW)	TC(kW)	PI(kW)	TC(kW)	PI(kW)	TC(kW)	PI(kW)		
2500	5000			7500	110%	10	6.01	1.47	8.48	1.51	8.64	1.54	8.73	1.56	8.84	1.58	9.09	1.61	9.38	1.64		
						12	6.01	1.51	8.25	1.54	8.42	1.58	8.52	1.60	8.63	1.61	8.89	1.65	9.20	1.68		
						14	6.01	1.54	8.03	1.58	8.21	1.62	8.32	1.63	8.44	1.65	8.71	1.68	9.02	1.72		
						16	6.01	1.58	7.81	1.62	8.01	1.65	8.12	1.67	8.25	1.69	8.53	1.72	8.86	1.75		
						18	6.01	1.62	7.61	1.66	7.82	1.69	7.94	1.71	8.07	1.73	8.36	1.76	8.70	1.79		
						20	6.01	1.66	7.42	1.70	7.64	1.74	7.76	1.75	7.90	1.77	8.21	1.80	8.56	1.83		
						21	6.01	1.68	7.33	1.72	7.55	1.76	7.68	1.77	7.82	1.79	8.13	1.82	8.49	1.85		
						23	6.01	1.73	7.15	1.76	7.38	1.80	7.52	1.82	7.66	1.83	7.99	1.87	8.35	1.90		
						25	6.01	1.77	6.98	1.81	7.23	1.84	7.37	1.86	7.52	1.88	7.85	1.91	8.23	1.94		
						27	6.01	1.82	6.82	1.85	7.08	1.89	7.22	1.90	7.38	1.92	7.73	1.95	8.12	1.98		
						29	6.01	1.86	6.67	1.90	6.94	1.93	7.09	1.95	7.25	1.97	7.61	2.00	8.02	2.03		
						31	6.01	1.91	6.53	1.95	6.81	1.98	6.97	2.00	7.14	2.01	7.51	2.05	7.92	2.08		
						33	6.01	1.96	6.40	1.99	6.69	2.03	6.85	2.05	7.03	2.06	7.41	2.09	7.84	2.12		
						35	6.01	2.01	6.27	2.04	6.58	2.08	6.80	2.09	6.93	2.11	7.32	2.14	7.76	2.17		
						37	6.01	2.06	6.16	2.09	6.48	2.13	6.66	2.15	6.84	2.16	7.25	2.19	7.70	2.22		
						39	6.01	2.11	6.06	2.15	6.39	2.18	6.57	2.20	6.76	2.21	7.18	2.24	7.64	2.27		
42	6.01	2.19	5.92	2.23	6.27	2.26	6.46	2.28	6.66	2.29	7.10	2.32	7.57	2.35								
44	6.01	2.25	5.84	2.28	6.20	2.31	6.40	2.33	6.60	2.35	7.05	2.38	7.54	2.41								
46	6.01	2.30	5.77	2.34	6.14	2.37	6.35	2.39	6.56	2.40	7.02	2.43	7.52	2.46								
3500	3500			7000	103%	10	5.74	1.41	8.10	1.45	8.26	1.48	8.35	1.50	8.45	1.52	8.69	1.55	8.97	1.58		
						12	5.74	1.45	7.88	1.48	8.05	1.52	8.15	1.53	8.25	1.55	8.50	1.58	8.79	1.61		
						14	5.74	1.48	7.67	1.52	7.85	1.55	7.95	1.57	8.06	1.59	8.32	1.62	8.62	1.65		
						16	5.74	1.52	7.47	1.56	7.66	1.59	7.76	1.61	7.88	1.62	8.15	1.66	8.47	1.69		
						18	5.74	1.56	7.28	1.60	7.47	1.63	7.59	1.65	7.71	1.66	7.99	1.69	8.32	1.72		
						20	5.74	1.60	7.09	1.64	7.30	1.67	7.42	1.69	7.55	1.70	7.84	1.73	8.18	1.76		
						21	5.74	1.62	7.00	1.66	7.22	1.69	7.34	1.71	7.47	1.72	7.77	1.75	8.11	1.78		
						23	5.74	1.66	6.83	1.70	7.06	1.73	7.19	1.75	7.33	1.76	7.63	1.79	7.99	1.82		
						25	5.74	1.70	6.67	1.74	6.91	1.77	7.04	1.79	7.19	1.80	7.51	1.84	7.87	1.87		
						27	5.74	1.75	6.52	1.78	6.77	1.82	6.91	1.83	7.06	1.85	7.39	1.88	7.76	1.91		
						29	5.74	1.79	6.37	1.83	6.63	1.86	6.78	1.88	6.93	1.89	7.28	1.92	7.66	1.95		
						31	5.74	1.84	6.24	1.87	6.51	1.91	6.66	1.92	6.82	1.94	7.18	1.97	7.57	2.00		
						33	5.74	1.88	6.11	1.92	6.40	1.95	6.55	1.97	6.72	1.98	7.08	2.01	7.49	2.04		
						35	5.74	1.93	6.00	1.97	6.29	2.00	6.50	2.01	6.63	2.03	7.00	2.06	7.42	2.09		
						37	5.74	1.98	5.89	2.01	6.19	2.05	6.36	2.06	6.54	2.08	6.93	2.11	7.36	2.14		
						39	5.74	2.03	5.79	2.06	6.11	2.10	6.28	2.11	6.46	2.13	6.86	2.16	7.30	2.19		
42	5.74	2.11	5.66	2.14	5.99	2.17	6.17	2.19	6.37	2.20	6.78	2.23	7.24	2.26								
44	5.74	2.16	5.58	2.19	5.93	2.23	6.12	2.24	6.31	2.26	6.74	2.29	7.21	2.32								
46	5.74	2.21	5.52	2.25	5.87	2.28	6.07	2.29	6.27	2.31	6.71	2.34	7.19	2.37								

# 12. Capacity Table

## 12-4. AJ068MCJ3EH/EU

### COOLING

Combination (Capacity Index)				Combination (Total)	Combination (%)	Outdoor Temperature (°C, DB)	Indoor Temperature (°C, WB)													
							14		16		18		19		20		22		24	
							TC(kW)	PI(kW)	TC(kW)	PI(kW)	TC(kW)	PI(kW)	TC(kW)	PI(kW)	TC(kW)	PI(kW)	TC(kW)	PI(kW)	TC(kW)	PI(kW)
3500	5000			8500	125%	10	6.01	1.48	8.48	1.51	8.64	1.55	8.73	1.57	8.84	1.58	9.09	1.62	9.38	1.65
						12	6.01	1.51	8.25	1.55	8.42	1.59	8.52	1.60	8.63	1.62	8.89	1.65	9.20	1.69
						14	6.01	1.55	8.03	1.59	8.21	1.62	8.32	1.64	8.44	1.66	8.71	1.69	9.02	1.72
						16	6.01	1.59	7.81	1.63	8.01	1.66	8.12	1.68	8.25	1.70	8.53	1.73	8.86	1.76
						18	6.01	1.63	7.61	1.67	7.82	1.70	7.94	1.72	8.07	1.74	8.36	1.77	8.70	1.80
						20	6.01	1.67	7.42	1.71	7.64	1.74	7.76	1.76	7.90	1.78	8.21	1.81	8.56	1.84
						21	6.01	1.69	7.33	1.73	7.55	1.76	7.68	1.78	7.82	1.80	8.13	1.83	8.49	1.86
						23	6.01	1.74	7.15	1.77	7.38	1.81	7.52	1.82	7.66	1.84	7.99	1.87	8.35	1.91
						25	6.01	1.78	6.98	1.82	7.23	1.85	7.37	1.87	7.52	1.89	7.85	1.92	8.23	1.95
						27	6.01	1.83	6.82	1.86	7.08	1.90	7.22	1.91	7.38	1.93	7.73	1.96	8.12	1.99
						29	6.01	1.87	6.67	1.91	6.94	1.94	7.09	1.96	7.25	1.98	7.61	2.01	8.02	2.04
						31	6.01	1.92	6.53	1.96	6.81	1.99	6.97	2.01	7.14	2.02	7.51	2.06	7.92	2.09
						33	6.01	1.97	6.40	2.00	6.69	2.04	6.85	2.06	7.03	2.07	7.41	2.10	7.84	2.13
						35	6.01	2.02	6.27	2.05	6.58	2.09	6.80	2.10	6.93	2.12	7.32	2.15	7.76	2.18
						37	6.01	2.07	6.16	2.10	6.48	2.14	6.66	2.16	6.84	2.17	7.25	2.20	7.70	2.23
						39	6.01	2.12	6.06	2.16	6.39	2.19	6.57	2.21	6.76	2.22	7.18	2.26	7.64	2.29
42	6.01	2.20	5.92	2.24	6.27	2.27	6.46	2.29	6.66	2.30	7.10	2.33	7.57	2.36						
44	6.01	2.26	5.84	2.29	6.20	2.33	6.40	2.34	6.60	2.36	7.05	2.39	7.54	2.42						
46	6.01	2.31	5.77	2.35	6.14	2.38	6.35	2.40	6.56	2.41	7.02	2.44	7.52	2.47						
5000	5000			10000	147%	10	7.65	1.45	7.95	1.48	8.25	1.51	8.41	1.52	8.56	1.54	8.87	1.57	9.19	1.60
						12	7.51	1.48	7.81	1.52	8.12	1.55	8.27	1.56	8.43	1.58	8.74	1.61	9.06	1.64
						14	7.38	1.52	7.68	1.55	7.99	1.59	8.14	1.60	8.30	1.62	8.61	1.65	8.93	1.68
						16	7.25	1.56	7.55	1.60	7.86	1.63	8.01	1.64	8.17	1.66	8.48	1.69	8.80	1.72
						18	7.12	1.60	7.42	1.64	7.73	1.67	7.88	1.68	8.04	1.70	8.35	1.73	8.68	1.76
						20	6.99	1.65	7.29	1.68	7.60	1.71	7.75	1.73	7.91	1.74	8.23	1.77	8.55	1.81
						21	6.92	1.67	7.22	1.70	7.53	1.73	7.69	1.75	7.84	1.76	8.16	1.79	8.48	1.83
						23	6.79	1.71	7.09	1.74	7.40	1.77	7.56	1.79	7.71	1.81	8.03	1.84	8.35	1.87
						25	6.66	1.75	6.96	1.79	7.27	1.82	7.43	1.83	7.59	1.85	7.90	1.88	8.23	1.92
						27	6.53	1.80	6.83	1.83	7.14	1.86	7.30	1.88	7.46	1.90	7.78	1.93	8.10	1.96
						29	6.40	1.84	6.70	1.87	7.01	1.91	7.17	1.92	7.33	1.94	7.65	1.97	7.97	2.01
						31	6.27	1.89	6.57	1.92	6.89	1.95	7.04	1.97	7.20	1.99	7.52	2.02	7.85	2.05
						33	6.14	1.93	6.45	1.97	6.76	2.00	6.92	2.02	7.07	2.03	7.39	2.07	7.72	2.10
						35	6.01	1.98	6.32	2.01	6.63	2.05	6.80	2.06	6.95	2.08	7.27	2.11	7.59	2.15
						37	5.88	2.03	6.19	2.06	6.50	2.10	6.66	2.11	6.82	2.13	7.14	2.16	7.47	2.20
						39	5.75	2.08	6.06	2.11	6.38	2.14	6.53	2.16	6.69	2.18	7.02	2.21	7.34	2.25
42	5.56	2.15	5.87	2.19	6.19	2.22	6.34	2.24	6.50	2.25	6.83	2.29	7.15	2.32						
44	5.43	2.20	5.74	2.24	6.06	2.27	6.22	2.29	6.38	2.30	6.70	2.34	7.03	2.37						
46	5.31	2.25	5.62	2.29	5.93	2.32	6.09	2.34	6.25	2.36	6.58	2.39	6.91	2.42						



# 12. Capacity Table

## 12-4. AJ068MCJ3EH/EU

### COOLING

Combination (Capacity Index)				Combination (Total)	Combination (%)	Outdoor Temperature (°C, DB)	Indoor Temperature (°C, WB)															
							14		16		18		19		20		22		24			
							TC(kW)	PI(kW)	TC(kW)	PI(kW)	TC(kW)	PI(kW)	TC(kW)	PI(kW)	TC(kW)	PI(kW)	TC(kW)	PI(kW)	TC(kW)	PI(kW)		
2000	2000	2000		6000	88%	10	5.30	1.38	7.48	1.42	7.62	1.45	7.71	1.47	7.80	1.49	8.02	1.52	8.28	1.55		
						12	5.30	1.42	7.28	1.45	7.43	1.49	7.52	1.50	7.62	1.52	7.85	1.55	8.11	1.58		
						14	5.30	1.45	7.08	1.49	7.24	1.52	7.34	1.54	7.44	1.56	7.68	1.59	7.96	1.62		
						16	5.30	1.49	6.89	1.53	7.07	1.56	7.17	1.58	7.28	1.59	7.53	1.62	7.81	1.65		
						18	5.30	1.53	6.72	1.56	6.90	1.60	7.00	1.61	7.12	1.63	7.38	1.66	7.68	1.69		
						20	5.30	1.57	6.55	1.60	6.74	1.64	6.85	1.65	6.97	1.67	7.24	1.70	7.55	1.73		
						21	5.30	1.59	6.46	1.62	6.66	1.66	6.78	1.67	6.90	1.69	7.17	1.72	7.49	1.75		
						23	5.30	1.63	6.31	1.66	6.51	1.70	6.63	1.71	6.76	1.73	7.05	1.76	7.37	1.79		
						25	5.30	1.67	6.16	1.70	6.38	1.74	6.50	1.75	6.63	1.77	6.93	1.80	7.26	1.83		
						27	5.30	1.71	6.02	1.75	6.25	1.78	6.37	1.80	6.51	1.81	6.82	1.84	7.16	1.87		
						29	5.30	1.76	5.88	1.79	6.12	1.82	6.26	1.84	6.40	1.85	6.72	1.88	7.07	1.91		
						31	5.30	1.80	5.76	1.83	6.01	1.87	6.15	1.88	6.30	1.90	6.62	1.93	6.99	1.96		
						33	5.30	1.85	5.64	1.88	5.90	1.91	6.05	1.93	6.20	1.94	6.54	1.97	6.92	2.00		
						35	5.30	1.89	5.54	1.93	5.81	1.96	6.00	1.97	6.12	1.99	6.46	2.02	6.85	2.05		
						37	5.30	1.94	5.44	1.97	5.72	2.01	5.87	2.02	6.04	2.04	6.39	2.07	6.79	2.10		
						39	5.30	1.99	5.34	2.02	5.64	2.06	5.80	2.07	5.97	2.09	6.34	2.12	6.74	2.14		
42	5.30	2.07	5.22	2.10	5.53	2.13	5.70	2.15	5.88	2.16	6.26	2.19	6.68	2.22								
44	5.30	2.12	5.15	2.15	5.47	2.18	5.64	2.20	5.83	2.21	6.22	2.24	6.65	2.27								
46	5.30	2.17	5.09	2.20	5.42	2.23	5.60	2.25	5.79	2.26	6.19	2.29	6.63	2.32								
2000	2000	2500		6500	96%	10	5.74	1.41	8.10	1.44	8.26	1.47	8.35	1.49	8.45	1.51	8.69	1.54	8.97	1.57		
						12	5.74	1.44	7.88	1.48	8.05	1.51	8.15	1.53	8.25	1.54	8.50	1.57	8.79	1.61		
						14	5.74	1.48	7.67	1.51	7.85	1.55	7.95	1.56	8.06	1.58	8.32	1.61	8.62	1.64		
						16	5.74	1.51	7.47	1.55	7.66	1.58	7.76	1.60	7.88	1.62	8.15	1.65	8.47	1.68		
						18	5.74	1.55	7.28	1.59	7.47	1.62	7.59	1.64	7.71	1.65	7.99	1.69	8.32	1.72		
						20	5.74	1.59	7.09	1.63	7.30	1.66	7.42	1.68	7.55	1.69	7.84	1.72	8.18	1.75		
						21	5.74	1.61	7.00	1.65	7.22	1.68	7.34	1.70	7.47	1.71	7.77	1.74	8.11	1.77		
						23	5.74	1.65	6.83	1.69	7.06	1.72	7.19	1.74	7.33	1.75	7.63	1.78	7.99	1.81		
						25	5.74	1.70	6.67	1.73	6.91	1.76	7.04	1.78	7.19	1.80	7.51	1.83	7.87	1.86		
						27	5.74	1.74	6.52	1.77	6.77	1.81	6.91	1.82	7.06	1.84	7.39	1.87	7.76	1.90		
						29	5.74	1.78	6.37	1.82	6.63	1.85	6.78	1.87	6.93	1.88	7.28	1.91	7.66	1.94		
						31	5.74	1.83	6.24	1.86	6.51	1.90	6.66	1.91	6.82	1.93	7.18	1.96	7.57	1.99		
						33	5.74	1.87	6.11	1.91	6.40	1.94	6.55	1.96	6.72	1.97	7.08	2.00	7.49	2.03		
						35	5.74	1.92	6.00	1.96	6.29	1.99	6.50	2.00	6.63	2.02	7.00	2.05	7.42	2.08		
						37	5.74	1.97	5.89	2.00	6.19	2.04	6.36	2.05	6.54	2.07	6.93	2.10	7.36	2.13		
						39	5.74	2.02	5.79	2.05	6.11	2.09	6.28	2.10	6.46	2.12	6.86	2.15	7.30	2.18		
42	5.74	2.10	5.66	2.13	5.99	2.16	6.17	2.18	6.37	2.19	6.78	2.22	7.24	2.25								
44	5.74	2.15	5.58	2.18	5.93	2.21	6.12	2.23	6.31	2.25	6.74	2.28	7.21	2.30								
46	5.74	2.20	5.52	2.24	5.87	2.27	6.07	2.28	6.27	2.30	6.71	2.33	7.19	2.36								

# 12. Capacity Table

## 12-4. AJ068MCJ3EH/EU

### COOLING

Combination (Capacity Index)			Combination (Total)	Combination (%)	Outdoor Temperature (°C, DB)	Indoor Temperature (°C, WB)													
						14		16		18		19		20		22		24	
						TC(kW)	PI(kW)	TC(kW)	PI(kW)	TC(kW)	PI(kW)	TC(kW)	PI(kW)	TC(kW)	PI(kW)	TC(kW)	PI(kW)	TC(kW)	PI(kW)
2000	2000	3500	7500	110%	10	6.01	1.45	8.48	1.49	8.64	1.53	8.73	1.54	8.84	1.56	9.09	1.59	9.38	1.63
					12	6.01	1.49	8.25	1.53	8.42	1.56	8.52	1.58	8.63	1.60	8.89	1.63	9.20	1.66
					14	6.01	1.53	8.03	1.56	8.21	1.60	8.32	1.62	8.44	1.63	8.71	1.67	9.02	1.70
					16	6.01	1.57	7.81	1.60	8.01	1.64	8.12	1.66	8.25	1.67	8.53	1.71	8.86	1.74
					18	6.01	1.61	7.61	1.64	7.82	1.68	7.94	1.70	8.07	1.71	8.36	1.74	8.70	1.78
					20	6.01	1.65	7.42	1.68	7.64	1.72	7.76	1.74	7.90	1.75	8.21	1.78	8.56	1.82
					21	6.01	1.67	7.33	1.70	7.55	1.74	7.68	1.76	7.82	1.77	8.13	1.81	8.49	1.84
					23	6.01	1.71	7.15	1.75	7.38	1.78	7.52	1.80	7.66	1.82	7.99	1.85	8.35	1.88
					25	6.01	1.75	6.98	1.79	7.23	1.83	7.37	1.84	7.52	1.86	7.85	1.89	8.23	1.92
					27	6.01	1.80	6.82	1.84	7.08	1.87	7.22	1.89	7.38	1.90	7.73	1.93	8.12	1.97
					29	6.01	1.85	6.67	1.88	6.94	1.92	7.09	1.93	7.25	1.95	7.61	1.98	8.02	2.01
					31	6.01	1.89	6.53	1.93	6.81	1.96	6.97	1.98	7.14	1.99	7.51	2.03	7.92	2.06
					33	6.01	1.94	6.40	1.98	6.69	2.01	6.85	2.03	7.03	2.04	7.41	2.07	7.84	2.10
					35	6.01	1.99	6.27	2.02	6.58	2.06	6.80	2.07	6.93	2.09	7.32	2.12	7.76	2.15
					37	6.01	2.04	6.16	2.07	6.48	2.11	6.66	2.12	6.84	2.14	7.25	2.17	7.70	2.20
					39	6.01	2.09	6.06	2.13	6.39	2.16	6.57	2.18	6.76	2.19	7.18	2.22	7.64	2.25
42	6.01	2.17	5.92	2.21	6.27	2.24	6.46	2.25	6.66	2.27	7.10	2.30	7.57	2.33					
44	6.01	2.22	5.84	2.26	6.20	2.29	6.40	2.31	6.60	2.32	7.05	2.35	7.54	2.38					
46	6.01	2.28	5.77	2.31	6.14	2.35	6.35	2.36	6.56	2.38	7.02	2.41	7.52	2.44					
2000	2000	5000	9000	132%	10	7.65	1.40	7.95	1.43	8.25	1.46	8.41	1.48	8.56	1.49	8.87	1.52	9.19	1.55
					12	7.51	1.44	7.81	1.47	8.12	1.50	8.27	1.52	8.43	1.53	8.74	1.56	9.06	1.59
					14	7.38	1.48	7.68	1.51	7.99	1.54	8.14	1.55	8.30	1.57	8.61	1.60	8.93	1.63
					16	7.25	1.52	7.55	1.55	7.86	1.58	8.01	1.59	8.17	1.61	8.48	1.64	8.80	1.67
					18	7.12	1.56	7.42	1.59	7.73	1.62	7.88	1.63	8.04	1.65	8.35	1.68	8.68	1.71
					20	6.99	1.60	7.29	1.63	7.60	1.66	7.75	1.68	7.91	1.69	8.23	1.72	8.55	1.75
					21	6.92	1.62	7.22	1.65	7.53	1.68	7.69	1.70	7.84	1.71	8.16	1.74	8.48	1.77
					23	6.79	1.66	7.09	1.69	7.40	1.72	7.56	1.74	7.71	1.75	8.03	1.78	8.35	1.82
					25	6.66	1.70	6.96	1.73	7.27	1.76	7.43	1.78	7.59	1.80	7.90	1.83	8.23	1.86
					27	6.53	1.74	6.83	1.78	7.14	1.81	7.30	1.82	7.46	1.84	7.78	1.87	8.10	1.90
					29	6.40	1.79	6.70	1.82	7.01	1.85	7.17	1.87	7.33	1.88	7.65	1.92	7.97	1.95
					31	6.27	1.83	6.57	1.86	6.89	1.90	7.04	1.91	7.20	1.93	7.52	1.96	7.85	1.99
					33	6.14	1.88	6.45	1.91	6.76	1.94	6.92	1.96	7.07	1.97	7.39	2.01	7.72	2.04
					35	6.01	1.92	6.32	1.96	6.63	1.99	6.80	2.00	6.95	2.02	7.27	2.05	7.59	2.09
					37	5.88	1.97	6.19	2.00	6.50	2.03	6.66	2.05	6.82	2.07	7.14	2.10	7.47	2.13
					39	5.75	2.02	6.06	2.05	6.38	2.08	6.53	2.10	6.69	2.12	7.02	2.15	7.34	2.18
42	5.56	2.09	5.87	2.12	6.19	2.15	6.34	2.17	6.50	2.19	6.83	2.22	7.15	2.25					
44	5.43	2.14	5.74	2.17	6.06	2.20	6.22	2.22	6.38	2.24	6.70	2.27	7.03	2.30					
46	5.31	2.19	5.62	2.22	5.93	2.25	6.09	2.27	6.25	2.29	6.58	2.32	6.91	2.35					

# 12. Capacity Table

## 12-4. AJ068MCJ3EH/EU

### COOLING

Combination (Capacity Index)				Combination (Total)	Combination (%)	Outdoor Temperature (°C, DB)	Indoor Temperature (°C, WB)															
							14		16		18		19		20		22		24			
							TC(kW)	PI(kW)	TC(kW)	PI(kW)	TC(kW)	PI(kW)	TC(kW)	PI(kW)	TC(kW)	PI(kW)	TC(kW)	PI(kW)	TC(kW)	PI(kW)		
2000	2500	2500	7000	103%	10	5.74	1.43	8.10	1.46	8.26	1.50	8.35	1.51	8.45	1.53	8.69	1.56	8.97	1.59			
					12	5.74	1.46	7.88	1.50	8.05	1.53	8.15	1.55	8.25	1.57	8.50	1.60	8.79	1.63			
					14	5.74	1.50	7.67	1.53	7.85	1.57	7.95	1.59	8.06	1.60	8.32	1.63	8.62	1.67			
					16	5.74	1.54	7.47	1.57	7.66	1.61	7.76	1.62	7.88	1.64	8.15	1.67	8.47	1.70			
					18	5.74	1.58	7.28	1.61	7.47	1.65	7.59	1.66	7.71	1.68	7.99	1.71	8.32	1.74			
					20	5.74	1.62	7.09	1.65	7.30	1.69	7.42	1.70	7.55	1.72	7.84	1.75	8.18	1.78			
					21	5.74	1.64	7.00	1.67	7.22	1.71	7.34	1.72	7.47	1.74	7.77	1.77	8.11	1.80			
					23	5.74	1.68	6.83	1.71	7.06	1.75	7.19	1.76	7.33	1.78	7.63	1.81	7.99	1.84			
					25	5.74	1.72	6.67	1.76	6.91	1.79	7.04	1.81	7.19	1.82	7.51	1.85	7.87	1.88			
					27	5.74	1.76	6.52	1.80	6.77	1.83	6.91	1.85	7.06	1.87	7.39	1.90	7.76	1.93			
					29	5.74	1.81	6.37	1.84	6.63	1.88	6.78	1.89	6.93	1.91	7.28	1.94	7.66	1.97			
					31	5.74	1.86	6.24	1.89	6.51	1.92	6.66	1.94	6.82	1.96	7.18	1.99	7.57	2.02			
					33	5.74	1.90	6.11	1.94	6.40	1.97	6.55	1.99	6.72	2.00	7.08	2.03	7.49	2.06			
					35	5.74	1.95	6.00	1.99	6.29	2.02	6.50	2.03	6.63	2.05	7.00	2.08	7.42	2.11			
					37	5.74	2.00	5.89	2.03	6.19	2.07	6.36	2.08	6.54	2.10	6.93	2.13	7.36	2.16			
					39	5.74	2.05	5.79	2.09	6.11	2.12	6.28	2.13	6.46	2.15	6.86	2.18	7.30	2.21			
42	5.74	2.13	5.66	2.16	5.99	2.20	6.17	2.21	6.37	2.23	6.78	2.26	7.24	2.29								
44	5.74	2.18	5.58	2.22	5.93	2.25	6.12	2.26	6.31	2.28	6.74	2.31	7.21	2.34								
46	5.74	2.24	5.52	2.27	5.87	2.30	6.07	2.32	6.27	2.33	6.71	2.36	7.19	2.39								
2000	2500	3500	8000	118%	10	7.65	1.47	7.95	1.50	8.25	1.53	8.41	1.54	8.56	1.56	8.87	1.59	9.19	1.62			
					12	7.51	1.51	7.81	1.54	8.12	1.57	8.27	1.58	8.43	1.60	8.74	1.63	9.06	1.66			
					14	7.38	1.55	7.68	1.58	7.99	1.61	8.14	1.62	8.30	1.64	8.61	1.67	8.93	1.70			
					16	7.25	1.59	7.55	1.62	7.86	1.65	8.01	1.67	8.17	1.68	8.48	1.71	8.80	1.75			
					18	7.12	1.63	7.42	1.66	7.73	1.69	7.88	1.71	8.04	1.72	8.35	1.76	8.68	1.79			
					20	6.99	1.67	7.29	1.70	7.60	1.73	7.75	1.75	7.91	1.77	8.23	1.80	8.55	1.83			
					21	6.92	1.69	7.22	1.72	7.53	1.76	7.69	1.77	7.84	1.79	8.16	1.82	8.48	1.85			
					23	6.79	1.73	7.09	1.77	7.40	1.80	7.56	1.82	7.71	1.83	8.03	1.87	8.35	1.90			
					25	6.66	1.78	6.96	1.81	7.27	1.84	7.43	1.86	7.59	1.88	7.90	1.91	8.23	1.94			
					27	6.53	1.82	6.83	1.86	7.14	1.89	7.30	1.91	7.46	1.92	7.78	1.96	8.10	1.99			
					29	6.40	1.87	6.70	1.90	7.01	1.94	7.17	1.95	7.33	1.97	7.65	2.00	7.97	2.04			
					31	6.27	1.92	6.57	1.95	6.89	1.98	7.04	2.00	7.20	2.02	7.52	2.05	7.85	2.08			
					33	6.14	1.96	6.45	2.00	6.76	2.03	6.92	2.05	7.07	2.06	7.39	2.10	7.72	2.13			
					35	6.01	2.01	6.32	2.04	6.63	2.08	6.80	2.09	6.95	2.11	7.27	2.15	7.59	2.18			
					37	5.88	2.06	6.19	2.09	6.50	2.13	6.66	2.14	6.82	2.16	7.14	2.19	7.47	2.23			
					39	5.75	2.11	6.06	2.14	6.38	2.18	6.53	2.19	6.69	2.21	7.02	2.24	7.34	2.28			
42	5.56	2.18	5.87	2.22	6.19	2.25	6.34	2.27	6.50	2.29	6.83	2.32	7.15	2.36								
44	5.43	2.23	5.74	2.27	6.06	2.30	6.22	2.32	6.38	2.34	6.70	2.37	7.03	2.41								
46	5.31	2.29	5.62	2.32	5.93	2.36	6.09	2.37	6.25	2.39	6.58	2.43	6.91	2.46								

# 12. Capacity Table

## 12-4. AJ068MCJ3EH/EU

### COOLING

Combination (Capacity Index)			Combination (Total)	Combination (%)	Outdoor Temperature (°C, DB)	Indoor Temperature (°C, WB)													
						14		16		18		19		20		22		24	
						TC(kW)	PI(kW)	TC(kW)	PI(kW)	TC(kW)	PI(kW)	TC(kW)	PI(kW)	TC(kW)	PI(kW)	TC(kW)	PI(kW)	TC(kW)	PI(kW)
2000	2500	5000	9500	140%	10	765	1.41	795	1.44	8.25	1.47	8.41	1.49	8.56	1.50	8.87	1.53	9.19	1.56
					12	751	1.45	781	1.48	8.12	1.51	8.27	1.52	8.43	1.54	8.74	1.57	9.06	1.60
					14	738	1.49	768	1.52	7.99	1.55	8.14	1.56	8.30	1.58	8.61	1.61	8.93	1.64
					16	725	1.53	755	1.56	7.86	1.59	8.01	1.60	8.17	1.62	8.48	1.65	8.80	1.68
					18	712	1.57	742	1.60	7.73	1.63	7.88	1.64	8.04	1.66	8.35	1.69	8.68	1.72
					20	6.99	1.61	7.29	1.64	7.60	1.67	7.75	1.68	7.91	1.70	8.23	1.73	8.55	1.76
					21	6.92	1.63	7.22	1.66	7.53	1.69	7.69	1.70	7.84	1.72	8.16	1.75	8.48	1.78
					23	6.79	1.67	7.09	1.70	7.40	1.73	7.56	1.75	7.71	1.76	8.03	1.79	8.35	1.83
					25	6.66	1.71	6.96	1.74	7.27	1.77	7.43	1.79	7.59	1.81	7.90	1.84	8.23	1.87
					27	6.53	1.75	6.83	1.79	7.14	1.82	7.30	1.83	7.46	1.85	7.78	1.88	8.10	1.91
					29	6.40	1.80	6.70	1.83	7.01	1.86	7.17	1.88	7.33	1.89	7.65	1.93	7.97	1.96
					31	6.27	1.84	6.57	1.87	6.89	1.91	7.04	1.92	7.20	1.94	7.52	1.97	7.85	2.00
					33	6.14	1.89	6.45	1.92	6.76	1.95	6.92	1.97	7.07	1.98	7.39	2.02	7.72	2.05
					35	6.01	1.93	6.32	1.97	6.63	2.00	6.80	2.01	6.95	2.03	7.27	2.06	7.59	2.10
					37	5.88	1.98	6.19	2.01	6.50	2.04	6.66	2.06	6.82	2.08	7.14	2.11	7.47	2.14
					39	5.75	2.03	6.06	2.06	6.38	2.09	6.53	2.11	6.69	2.13	7.02	2.16	7.34	2.19
42	5.56	2.10	5.87	2.13	6.19	2.17	6.34	2.18	6.50	2.20	6.83	2.23	7.15	2.27					
44	5.43	2.15	5.74	2.18	6.06	2.21	6.22	2.23	6.38	2.25	6.70	2.28	7.03	2.32					
46	5.31	2.20	5.62	2.23	5.93	2.26	6.09	2.28	6.25	2.30	6.58	2.33	6.91	2.37					
2000	3500	3500	9000	132%	10	765	1.41	795	1.44	8.25	1.47	8.41	1.49	8.56	1.50	8.87	1.53	9.19	1.56
					12	751	1.45	781	1.48	8.12	1.51	8.27	1.52	8.43	1.54	8.74	1.57	9.06	1.60
					14	738	1.49	768	1.52	7.99	1.55	8.14	1.56	8.30	1.58	8.61	1.61	8.93	1.64
					16	725	1.53	755	1.56	7.86	1.59	8.01	1.60	8.17	1.62	8.48	1.65	8.80	1.68
					18	712	1.57	742	1.60	7.73	1.63	7.88	1.64	8.04	1.66	8.35	1.69	8.68	1.72
					20	6.99	1.61	7.29	1.64	7.60	1.67	7.75	1.68	7.91	1.70	8.23	1.73	8.55	1.76
					21	6.92	1.63	7.22	1.66	7.53	1.69	7.69	1.70	7.84	1.72	8.16	1.75	8.48	1.78
					23	6.79	1.67	7.09	1.70	7.40	1.73	7.56	1.75	7.71	1.76	8.03	1.79	8.35	1.83
					25	6.66	1.71	6.96	1.74	7.27	1.77	7.43	1.79	7.59	1.81	7.90	1.84	8.23	1.87
					27	6.53	1.75	6.83	1.79	7.14	1.82	7.30	1.83	7.46	1.85	7.78	1.88	8.10	1.91
					29	6.40	1.80	6.70	1.83	7.01	1.86	7.17	1.88	7.33	1.89	7.65	1.93	7.97	1.96
					31	6.27	1.84	6.57	1.87	6.89	1.91	7.04	1.92	7.20	1.94	7.52	1.97	7.85	2.00
					33	6.14	1.89	6.45	1.92	6.76	1.95	6.92	1.97	7.07	1.98	7.39	2.02	7.72	2.05
					35	6.01	1.93	6.32	1.97	6.63	2.00	6.80	2.01	6.95	2.03	7.27	2.06	7.59	2.10
					37	5.88	1.98	6.19	2.01	6.50	2.04	6.66	2.06	6.82	2.08	7.14	2.11	7.47	2.14
					39	5.75	2.03	6.06	2.06	6.38	2.09	6.53	2.11	6.69	2.13	7.02	2.16	7.34	2.19
42	5.56	2.10	5.87	2.13	6.19	2.17	6.34	2.18	6.50	2.20	6.83	2.23	7.15	2.27					
44	5.43	2.15	5.74	2.18	6.06	2.21	6.22	2.23	6.38	2.25	6.70	2.28	7.03	2.32					
46	5.31	2.20	5.62	2.23	5.93	2.26	6.09	2.28	6.25	2.30	6.58	2.33	6.91	2.37					

# 12. Capacity Table

## 12-4. AJ068MCJ3EH/EU

### COOLING

Combination (Capacity Index)				Combination (Total)	Combination (%)	Outdoor Temperature (°C, DB)	Indoor Temperature (°C, WB)															
							14		16		18		19		20		22		24			
							TC(kW)	PI(kW)	TC(kW)	PI(kW)	TC(kW)	PI(kW)	TC(kW)	PI(kW)	TC(kW)	PI(kW)	TC(kW)	PI(kW)	TC(kW)	PI(kW)		
2000	3500	5000	10500	154%	10	7.65	1.44	7.95	1.47	8.25	1.50	8.41	1.52	8.56	1.53	8.87	1.56	9.19	1.59			
					12	7.51	1.48	7.81	1.51	8.12	1.54	8.27	1.55	8.43	1.57	8.74	1.60	9.06	1.63			
					14	7.38	1.52	7.68	1.55	7.99	1.58	8.14	1.59	8.30	1.61	8.61	1.64	8.93	1.67			
					16	7.25	1.56	7.55	1.59	7.86	1.62	8.01	1.63	8.17	1.65	8.48	1.68	8.80	1.71			
					18	7.12	1.60	7.42	1.63	7.73	1.66	7.88	1.68	8.04	1.69	8.35	1.72	8.68	1.75			
					20	6.99	1.64	7.29	1.67	7.60	1.70	7.75	1.72	7.91	1.73	8.23	1.76	8.55	1.80			
					21	6.92	1.66	7.22	1.69	7.53	1.72	7.69	1.74	7.84	1.75	8.16	1.79	8.48	1.82			
					23	6.79	1.70	7.09	1.73	7.40	1.77	7.56	1.78	7.71	1.80	8.03	1.83	8.35	1.86			
					25	6.66	1.74	6.96	1.78	7.27	1.81	7.43	1.83	7.59	1.84	7.90	1.87	8.23	1.91			
					27	6.53	1.79	6.83	1.82	7.14	1.85	7.30	1.87	7.46	1.89	7.78	1.92	8.10	1.95			
					29	6.40	1.83	6.70	1.87	7.01	1.90	7.17	1.91	7.33	1.93	7.65	1.96	7.97	2.00			
					31	6.27	1.88	6.57	1.91	6.89	1.94	7.04	1.96	7.20	1.98	7.52	2.01	7.85	2.04			
					33	6.14	1.92	6.45	1.96	6.76	1.99	6.92	2.01	7.07	2.02	7.39	2.06	7.72	2.09			
					35	6.01	1.97	6.32	2.00	6.63	2.04	6.80	2.05	6.95	2.07	7.27	2.10	7.59	2.14			
					37	5.88	2.02	6.19	2.05	6.50	2.09	6.66	2.10	6.82	2.12	7.14	2.15	7.47	2.19			
					39	5.75	2.07	6.06	2.10	6.38	2.13	6.53	2.15	6.69	2.17	7.02	2.20	7.34	2.24			
42	5.56	2.14	5.87	2.17	6.19	2.21	6.34	2.23	6.50	2.24	6.83	2.28	7.15	2.31								
44	5.43	2.19	5.74	2.22	6.06	2.26	6.22	2.28	6.38	2.29	6.70	2.33	7.03	2.36								
46	5.31	2.24	5.62	2.28	5.93	2.31	6.09	2.33	6.25	2.34	6.58	2.38	6.91	2.41								
2500	2500	2500	7500	110%	10	7.65	1.45	7.95	1.48	8.25	1.51	8.41	1.52	8.56	1.54	8.87	1.57	9.19	1.60			
					12	7.51	1.48	7.81	1.52	8.12	1.55	8.27	1.56	8.43	1.58	8.74	1.61	9.06	1.64			
					14	7.38	1.52	7.68	1.55	7.99	1.59	8.14	1.60	8.30	1.62	8.61	1.65	8.93	1.68			
					16	7.25	1.56	7.55	1.60	7.86	1.63	8.01	1.64	8.17	1.66	8.48	1.69	8.80	1.72			
					18	7.12	1.60	7.42	1.64	7.73	1.67	7.88	1.68	8.04	1.70	8.35	1.73	8.68	1.76			
					20	6.99	1.65	7.29	1.68	7.60	1.71	7.75	1.73	7.91	1.74	8.23	1.77	8.55	1.81			
					21	6.92	1.67	7.22	1.70	7.53	1.73	7.69	1.75	7.84	1.76	8.16	1.79	8.48	1.83			
					23	6.79	1.71	7.09	1.74	7.40	1.77	7.56	1.79	7.71	1.81	8.03	1.84	8.35	1.87			
					25	6.66	1.75	6.96	1.79	7.27	1.82	7.43	1.83	7.59	1.85	7.90	1.88	8.23	1.92			
					27	6.53	1.80	6.83	1.83	7.14	1.86	7.30	1.88	7.46	1.90	7.78	1.93	8.10	1.96			
					29	6.40	1.84	6.70	1.87	7.01	1.91	7.17	1.92	7.33	1.94	7.65	1.97	7.97	2.01			
					31	6.27	1.89	6.57	1.92	6.89	1.95	7.04	1.97	7.20	1.99	7.52	2.02	7.85	2.05			
					33	6.14	1.93	6.45	1.97	6.76	2.00	6.92	2.02	7.07	2.03	7.39	2.07	7.72	2.10			
					35	6.01	1.98	6.32	2.01	6.63	2.05	6.80	2.06	6.95	2.08	7.27	2.11	7.59	2.15			
					37	5.88	2.03	6.19	2.06	6.50	2.10	6.66	2.11	6.82	2.13	7.14	2.16	7.47	2.20			
					39	5.75	2.08	6.06	2.11	6.38	2.14	6.53	2.16	6.69	2.18	7.02	2.21	7.34	2.25			
42	5.56	2.15	5.87	2.19	6.19	2.22	6.34	2.24	6.50	2.25	6.83	2.29	7.15	2.32								
44	5.43	2.20	5.74	2.24	6.06	2.27	6.22	2.29	6.38	2.30	6.70	2.34	7.03	2.37								
46	5.31	2.25	5.62	2.29	5.93	2.32	6.09	2.34	6.25	2.36	6.58	2.39	6.91	2.42								

# 12. Capacity Table

## 12-4. AJ068MCJ3EH/EU

### COOLING

Combination (Capacity Index)			Combination (Total)	Combination (%)	Outdoor Temperature (°C, DB)	Indoor Temperature (°C, WB)													
						14		16		18		19		20		22		24	
						TC(kW)	PI(kW)	TC(kW)	PI(kW)	TC(kW)	PI(kW)	TC(kW)	PI(kW)	TC(kW)	PI(kW)	TC(kW)	PI(kW)	TC(kW)	PI(kW)
2500	2500	3500	8500	125%	10	765	1.49	795	1.53	8.25	1.56	8.41	1.57	8.56	1.59	8.87	1.62	9.19	1.65
					12	751	1.53	781	1.57	8.12	1.60	8.27	1.61	8.43	1.63	8.74	1.66	9.06	1.69
					14	738	1.58	768	1.61	7.99	1.64	8.14	1.66	8.30	1.67	8.61	1.70	8.93	1.74
					16	725	1.62	755	1.65	7.86	1.68	8.01	1.70	8.17	1.71	8.48	1.75	8.80	1.78
					18	712	1.66	742	1.69	7.73	1.72	7.88	1.74	8.04	1.76	8.35	1.79	8.68	1.82
					20	6.99	1.70	7.29	1.73	7.60	1.77	7.75	1.78	7.91	1.80	8.23	1.83	8.55	1.87
					21	6.92	1.72	7.22	1.76	7.53	1.79	7.69	1.81	7.84	1.82	8.16	1.86	8.48	1.89
					23	6.79	1.77	7.09	1.80	7.40	1.83	7.56	1.85	7.71	1.87	8.03	1.90	8.35	1.93
					25	6.66	1.81	6.96	1.85	7.27	1.88	7.43	1.90	7.59	1.91	7.90	1.95	8.23	1.98
					27	6.53	1.86	6.83	1.89	7.14	1.93	7.30	1.94	7.46	1.96	7.78	1.99	8.10	2.03
					29	6.40	1.90	6.70	1.94	7.01	1.97	7.17	1.99	7.33	2.01	7.65	2.04	7.97	2.07
					31	6.27	1.95	6.57	1.99	6.89	2.02	7.04	2.04	7.20	2.05	7.52	2.09	7.85	2.12
					33	6.14	2.00	6.45	2.03	6.76	2.07	6.92	2.09	7.07	2.10	7.39	2.14	7.72	2.17
					35	6.01	2.05	6.32	2.08	6.63	2.12	6.80	2.13	6.95	2.15	7.27	2.19	7.59	2.22
					37	5.88	2.10	6.19	2.13	6.50	2.17	6.66	2.18	6.82	2.20	7.14	2.24	7.47	2.27
					39	5.75	2.15	6.06	2.18	6.38	2.22	6.53	2.24	6.69	2.25	7.02	2.29	7.34	2.32
42	5.56	2.22	5.87	2.26	6.19	2.29	6.34	2.31	6.50	2.33	6.83	2.37	7.15	2.40					
44	5.43	2.28	5.74	2.31	6.06	2.35	6.22	2.36	6.38	2.38	6.70	2.42	7.03	2.45					
46	5.31	2.33	5.62	2.36	5.93	2.40	6.09	2.42	6.25	2.44	6.58	2.47	6.91	2.51					
2500	2500	5000	10000	147%	10	765	1.42	795	1.45	8.25	1.49	8.41	1.50	8.56	1.52	8.87	1.55	9.19	1.58
					12	751	1.46	781	1.49	8.12	1.52	8.27	1.54	8.43	1.55	8.74	1.58	9.06	1.62
					14	738	1.50	768	1.53	7.99	1.56	8.14	1.58	8.30	1.59	8.61	1.62	8.93	1.66
					16	725	1.54	755	1.57	7.86	1.60	8.01	1.62	8.17	1.63	8.48	1.66	8.80	1.70
					18	712	1.58	742	1.61	7.73	1.64	7.88	1.66	8.04	1.67	8.35	1.71	8.68	1.74
					20	6.99	1.62	7.29	1.65	7.60	1.68	7.75	1.70	7.91	1.72	8.23	1.75	8.55	1.78
					21	6.92	1.64	7.22	1.67	7.53	1.71	7.69	1.72	7.84	1.74	8.16	1.77	8.48	1.80
					23	6.79	1.68	7.09	1.72	7.40	1.75	7.56	1.76	7.71	1.78	8.03	1.81	8.35	1.84
					25	6.66	1.73	6.96	1.76	7.27	1.79	7.43	1.81	7.59	1.82	7.90	1.86	8.23	1.89
					27	6.53	1.77	6.83	1.80	7.14	1.84	7.30	1.85	7.46	1.87	7.78	1.90	8.10	1.93
					29	6.40	1.82	6.70	1.85	7.01	1.88	7.17	1.90	7.33	1.91	7.65	1.94	7.97	1.98
					31	6.27	1.86	6.57	1.89	6.89	1.93	7.04	1.94	7.20	1.96	7.52	1.99	7.85	2.02
					33	6.14	1.91	6.45	1.94	6.76	1.97	6.92	1.99	7.07	2.00	7.39	2.04	7.72	2.07
					35	6.01	1.95	6.32	1.98	6.63	2.02	6.80	2.03	6.95	2.05	7.27	2.08	7.59	2.12
					37	5.88	2.00	6.19	2.03	6.50	2.07	6.66	2.08	6.82	2.10	7.14	2.13	7.47	2.16
					39	5.75	2.05	6.06	2.08	6.38	2.11	6.53	2.13	6.69	2.15	7.02	2.18	7.34	2.21
42	5.56	2.12	5.87	2.15	6.19	2.19	6.34	2.20	6.50	2.22	6.83	2.25	7.15	2.29					
44	5.43	2.17	5.74	2.20	6.06	2.24	6.22	2.25	6.38	2.27	6.70	2.30	7.03	2.34					
46	5.31	2.22	5.62	2.25	5.93	2.29	6.09	2.30	6.25	2.32	6.58	2.36	6.91	2.39					

# 12. Capacity Table

## 12-4. AJ068MCJ3EH/EU

### COOLING

Combination (Capacity Index)				Combination (Total)	Combination (%)	Outdoor Temperature (°C, DB)	Indoor Temperature (°C, WB)															
							14		16		18		19		20		22		24			
							TC(kW)	PI(kW)	TC(kW)	PI(kW)	TC(kW)	PI(kW)	TC(kW)	PI(kW)	TC(kW)	PI(kW)	TC(kW)	PI(kW)	TC(kW)	PI(kW)		
2500	3500	3500	9500	140%	10	7.65	1.42	7.95	1.45	8.25	1.48	8.41	1.49	8.56	1.51	8.87	1.54	9.19	1.57			
					12	7.51	1.46	7.81	1.49	8.12	1.52	8.27	1.53	8.43	1.55	8.74	1.58	9.06	1.61			
					14	7.38	1.49	7.68	1.52	7.99	1.56	8.14	1.57	8.30	1.59	8.61	1.62	8.93	1.65			
					16	7.25	1.53	7.55	1.56	7.86	1.59	8.01	1.61	8.17	1.63	8.48	1.66	8.80	1.69			
					18	7.12	1.57	7.42	1.60	7.73	1.64	7.88	1.65	8.04	1.67	8.35	1.70	8.68	1.73			
					20	6.99	1.61	7.29	1.65	7.60	1.68	7.75	1.69	7.91	1.71	8.23	1.74	8.55	1.77			
					21	6.92	1.63	7.22	1.67	7.53	1.70	7.69	1.71	7.84	1.73	8.16	1.76	8.48	1.79			
					23	6.79	1.68	7.09	1.71	7.40	1.74	7.56	1.76	7.71	1.77	8.03	1.80	8.35	1.83			
					25	6.66	1.72	6.96	1.75	7.27	1.78	7.43	1.80	7.59	1.81	7.90	1.85	8.23	1.88			
					27	6.53	1.76	6.83	1.79	7.14	1.83	7.30	1.84	7.46	1.86	7.78	1.89	8.10	1.92			
					29	6.40	1.81	6.70	1.84	7.01	1.87	7.17	1.89	7.33	1.90	7.65	1.93	7.97	1.97			
					31	6.27	1.85	6.57	1.88	6.89	1.92	7.04	1.93	7.20	1.95	7.52	1.98	7.85	2.01			
					33	6.14	1.90	6.45	1.93	6.76	1.96	6.92	1.98	7.07	1.99	7.39	2.03	7.72	2.06			
					35	6.01	1.94	6.32	1.98	6.63	2.01	6.80	2.02	6.95	2.04	7.27	2.07	7.59	2.11			
					37	5.88	1.99	6.19	2.02	6.50	2.06	6.66	2.07	6.82	2.09	7.14	2.12	7.47	2.15			
					39	5.75	2.04	6.06	2.07	6.38	2.10	6.53	2.12	6.69	2.14	7.02	2.17	7.34	2.20			
42	5.56	2.11	5.87	2.14	6.19	2.18	6.34	2.19	6.50	2.21	6.83	2.24	7.15	2.28								
44	5.43	2.16	5.74	2.19	6.06	2.23	6.22	2.24	6.38	2.26	6.70	2.29	7.03	2.33								
46	5.31	2.21	5.62	2.24	5.93	2.28	6.09	2.29	6.25	2.31	6.58	2.34	6.91	2.38								
2500	3500	5000	11000	162%	10	7.65	1.45	7.95	1.48	8.25	1.51	8.41	1.53	8.56	1.55	8.87	1.58	9.19	1.61			
					12	7.51	1.49	7.81	1.52	8.12	1.55	8.27	1.57	8.43	1.58	8.74	1.62	9.06	1.65			
					14	7.38	1.53	7.68	1.56	7.99	1.59	8.14	1.61	8.30	1.63	8.61	1.66	8.93	1.69			
					16	7.25	1.57	7.55	1.60	7.86	1.63	8.01	1.65	8.17	1.67	8.48	1.70	8.80	1.73			
					18	7.12	1.61	7.42	1.64	7.73	1.68	7.88	1.69	8.04	1.71	8.35	1.74	8.68	1.77			
					20	6.99	1.65	7.29	1.69	7.60	1.72	7.75	1.73	7.91	1.75	8.23	1.78	8.55	1.81			
					21	6.92	1.68	7.22	1.71	7.53	1.74	7.69	1.76	7.84	1.77	8.16	1.80	8.48	1.84			
					23	6.79	1.72	7.09	1.75	7.40	1.78	7.56	1.80	7.71	1.82	8.03	1.85	8.35	1.88			
					25	6.66	1.76	6.96	1.79	7.27	1.83	7.43	1.84	7.59	1.86	7.90	1.89	8.23	1.92			
					27	6.53	1.81	6.83	1.84	7.14	1.87	7.30	1.89	7.46	1.90	7.78	1.94	8.10	1.97			
					29	6.40	1.85	6.70	1.88	7.01	1.92	7.17	1.93	7.33	1.95	7.65	1.98	7.97	2.02			
					31	6.27	1.90	6.57	1.93	6.89	1.96	7.04	1.98	7.20	2.00	7.52	2.03	7.85	2.06			
					33	6.14	1.94	6.45	1.98	6.76	2.01	6.92	2.03	7.07	2.04	7.39	2.08	7.72	2.11			
					35	6.01	1.99	6.32	2.02	6.63	2.06	6.80	2.07	6.95	2.09	7.27	2.12	7.59	2.16			
					37	5.88	2.04	6.19	2.07	6.50	2.11	6.66	2.12	6.82	2.14	7.14	2.17	7.47	2.21			
					39	5.75	2.09	6.06	2.12	6.38	2.16	6.53	2.17	6.69	2.19	7.02	2.22	7.34	2.26			
42	5.56	2.16	5.87	2.20	6.19	2.23	6.34	2.25	6.50	2.26	6.83	2.30	7.15	2.33								
44	5.43	2.21	5.74	2.25	6.06	2.28	6.22	2.30	6.38	2.32	6.70	2.35	7.03	2.38								
46	5.31	2.26	5.62	2.30	5.93	2.33	6.09	2.35	6.25	2.37	6.58	2.40	6.91	2.44								

# 12. Capacity Table

## 12-4. AJ068MCJ3EH/EU

### COOLING

Combination (Capacity Index)			Combination (Total)	Combination (%)	Outdoor Temperature (°C, DB)	Indoor Temperature (°C, WB)													
						14		16		18		19		20		22		24	
						TC(kW)	PI(kW)	TC(kW)	PI(kW)	TC(kW)	PI(kW)	TC(kW)	PI(kW)	TC(kW)	PI(kW)	TC(kW)	PI(kW)	TC(kW)	PI(kW)
3500	3500	3500	10500	154%	10	7.65	1.40	7.95	1.43	8.25	1.46	8.41	1.48	8.56	1.49	8.87	1.52	9.19	1.55
					12	7.51	1.44	7.81	1.47	8.12	1.50	8.27	1.52	8.43	1.53	8.74	1.56	9.06	1.59
					14	7.38	1.48	7.68	1.51	7.99	1.54	8.14	1.55	8.30	1.57	8.61	1.60	8.93	1.63
					16	7.25	1.52	7.55	1.55	7.86	1.58	8.01	1.59	8.17	1.61	8.48	1.64	8.80	1.67
					18	7.12	1.56	7.42	1.59	7.73	1.62	7.88	1.63	8.04	1.65	8.35	1.68	8.68	1.71
					20	6.99	1.60	7.29	1.63	7.60	1.66	7.75	1.68	7.91	1.69	8.23	1.72	8.55	1.75
					21	6.92	1.62	7.22	1.65	7.53	1.68	7.69	1.70	7.84	1.71	8.16	1.74	8.48	1.77
					23	6.79	1.66	7.09	1.69	7.40	1.72	7.56	1.74	7.71	1.75	8.03	1.78	8.35	1.82
					25	6.66	1.70	6.96	1.73	7.27	1.76	7.43	1.78	7.59	1.80	7.90	1.83	8.23	1.86
					27	6.53	1.74	6.83	1.78	7.14	1.81	7.30	1.82	7.46	1.84	7.78	1.87	8.10	1.90
					29	6.40	1.79	6.70	1.82	7.01	1.85	7.17	1.87	7.33	1.88	7.65	1.92	7.97	1.95
					31	6.27	1.83	6.57	1.86	6.89	1.90	7.04	1.91	7.20	1.93	7.52	1.96	7.85	1.99
					33	6.14	1.88	6.45	1.91	6.76	1.94	6.92	1.96	7.07	1.97	7.39	2.01	7.72	2.04
					35	6.01	1.92	6.32	1.96	6.63	1.99	6.80	2.00	6.95	2.02	7.27	2.05	7.59	2.09
					37	5.88	1.97	6.19	2.00	6.50	2.03	6.66	2.05	6.82	2.07	7.14	2.10	7.47	2.13
					39	5.75	2.02	6.06	2.05	6.38	2.08	6.53	2.10	6.69	2.12	7.02	2.15	7.34	2.18
42	5.56	2.09	5.87	2.12	6.19	2.15	6.34	2.17	6.50	2.19	6.83	2.22	7.15	2.25					
44	5.43	2.14	5.74	2.17	6.06	2.20	6.22	2.22	6.38	2.24	6.70	2.27	7.03	2.30					
46	5.31	2.19	5.62	2.22	5.93	2.25	6.09	2.27	6.25	2.29	6.58	2.32	6.91	2.35					

### NOTE

- Cooling capacity is based on 27°CDB / 19°CWB (indoor temperature), 35°CDB (outdoor temperature).
- Heating capacity is based on 20°CDB (indoor temperature), 7°CDB/6°CWB (outdoor temperature).
- The above is the value for connecting with the following indoor units.
  - 2000, 2500, 3500, 5000W class: Wall Mounted
- Capacities are based on the following conditions:
  - Corresponding refrigerant piping length : 5m / - Level difference : 0m
- The total ability of connected a indoor unit is up to 11kW
- It is impossible to connect the indoor unit for one room only.
- This data is reference data for temperature capacity trend.



# 12. Capacity Table

## 12-4. AJ068MCJ3EH/EU

### HEATING

Combination (Capacity Index)				Combination (Total)	Combination (%)	Outdoor Temperature (°C, DB)	Indoor Temperature (°C, DB)															
							14		16		18		20		21		22		24			
							TC(kW)	PI(kW)	TC(kW)	PI(kW)	TC(kW)	PI(kW)	TC(kW)	PI(kW)	TC(kW)	PI(kW)	TC(kW)	PI(kW)	TC(kW)	PI(kW)		
2000				2000	29%	-15	1.26	0.76	1.22	0.77	1.18	0.78	1.17	0.78	1.15	0.79	1.13	0.79	1.11	0.80		
						-10	1.51	0.79	1.47	0.81	1.43	0.82	1.41	0.82	1.40	0.83	1.37	0.83	1.34	0.84		
						-5	1.76	0.83	1.71	0.85	1.67	0.86	1.66	0.86	1.64	0.87	1.61	0.88	1.58	0.88		
						0	2.01	0.87	1.96	0.89	1.92	0.90	1.90	0.90	1.88	0.91	1.85	0.92	1.82	0.93		
						2	2.11	0.89	2.06	0.90	2.02	0.91	2.00	0.92	1.98	0.92	1.95	0.93	1.92	0.94		
						7	2.31	0.92	2.26	0.93	2.21	0.95	2.20	0.95	2.17	0.96	2.14	0.97	2.11	0.98		
						10	2.51	0.95	2.46	0.96	2.41	0.98	2.39	0.98	2.37	0.99	2.33	1.00	2.30	1.01		
2500				2500	37%	-15	1.89	0.91	1.83	0.93	1.78	0.94	1.75	0.95	1.73	0.95	1.69	0.96	1.66	0.97		
						-10	2.26	0.96	2.20	0.98	2.14	0.99	2.12	1.00	2.09	1.00	2.05	1.01	2.02	1.02		
						-5	2.64	1.01	2.57	1.02	2.51	1.04	2.48	1.04	2.46	1.05	2.41	1.06	2.37	1.07		
						0	3.01	1.06	2.94	1.07	2.88	1.09	2.85	1.09	2.82	1.10	2.77	1.11	2.73	1.12		
						2	3.16	1.08	3.09	1.09	3.03	1.11	3.00	1.11	2.97	1.12	2.92	1.13	2.87	1.14		
						7	3.46	1.11	3.39	1.13	3.32	1.14	3.30	1.15	3.26	1.16	3.21	1.17	3.16	1.18		
						10	3.76	1.15	3.69	1.17	3.62	1.18	3.59	1.19	3.55	1.20	3.50	1.21	3.45	1.22		
3500				3500	51%	-15	2.29	1.07	2.22	1.09	2.15	1.10	2.13	1.11	2.10	1.12	2.05	1.13	2.01	1.14		
						-10	2.74	1.13	2.67	1.15	2.60	1.16	2.57	1.17	2.54	1.17	2.49	1.19	2.44	1.20		
						-5	3.20	1.19	3.12	1.20	3.04	1.22	3.01	1.23	2.98	1.23	2.92	1.25	2.88	1.26		
						0	3.65	1.24	3.57	1.26	3.49	1.28	3.46	1.28	3.42	1.29	3.36	1.30	3.31	1.32		
						2	3.83	1.26	3.75	1.28	3.67	1.30	3.63	1.31	3.60	1.31	3.54	1.33	3.48	1.34		
						7	4.20	1.31	4.11	1.33	4.03	1.34	4.00	1.35	3.95	1.36	3.89	1.37	3.83	1.39		
						10	4.56	1.35	4.47	1.37	4.38	1.39	4.35	1.40	4.31	1.41	4.24	1.42	4.18	1.43		
5000				5000	74%	-15	3.21	1.45	3.11	1.47	3.02	1.49	2.98	1.50	2.94	1.50	2.87	1.52	2.82	1.53		
						-10	3.84	1.52	3.73	1.55	3.64	1.57	3.60	1.57	3.55	1.58	3.48	1.60	3.42	1.61		
						-5	4.48	1.60	4.36	1.62	4.26	1.64	4.22	1.65	4.17	1.66	4.09	1.68	4.03	1.69		
						0	5.11	1.67	4.99	1.70	4.89	1.72	4.84	1.73	4.79	1.74	4.71	1.76	4.63	1.77		
						2	5.37	1.70	5.25	1.73	5.14	1.75	5.09	1.76	5.04	1.77	4.95	1.79	4.88	1.81		
						7	5.88	1.76	5.75	1.79	5.64	1.81	5.60	1.82	5.54	1.83	5.44	1.85	5.36	1.87		
						10	6.39	1.82	6.26	1.85	6.14	1.87	6.08	1.88	6.03	1.89	5.94	1.92	5.85	1.93		
2000	2000			4000	59%	-15	2.52	0.97	2.44	0.98	2.37	1.00	2.34	1.00	2.31	1.01	2.26	1.02	2.21	1.03		
						-10	3.02	1.02	2.93	1.04	2.86	1.05	2.82	1.06	2.79	1.06	2.74	1.07	2.69	1.08		
						-5	3.52	1.07	3.43	1.09	3.35	1.10	3.31	1.11	3.28	1.11	3.22	1.13	3.16	1.14		
						0	4.02	1.12	3.92	1.14	3.84	1.15	3.80	1.16	3.76	1.17	3.70	1.18	3.64	1.19		
						2	4.22	1.14	4.12	1.16	4.04	1.17	4.00	1.18	3.96	1.19	3.89	1.20	3.83	1.21		
						7	4.62	1.18	4.52	1.20	4.43	1.21	4.40	1.22	4.35	1.23	4.28	1.24	4.21	1.25		
						10	5.02	1.22	4.92	1.24	4.82	1.25	4.78	1.26	4.74	1.27	4.66	1.28	4.60	1.30		
						15	5.52	1.27	5.41	1.29	5.32	1.31	5.27	1.31	5.23	1.32	5.15	1.34	5.08	1.35		

# 12. Capacity Table

## 12-4. AJ068MCJ3EH/EU

### HEATING

Combination (Capacity Index)				Combination (Total)	Combination (%)	Outdoor Temperature (°C, DB)	Indoor Temperature (°C, DB)															
							14		16		18		20		21		22		24			
							TC(kW)	PI(kW)	TC(kW)	PI(kW)	TC(kW)	PI(kW)	TC(kW)	PI(kW)	TC(kW)	PI(kW)	TC(kW)	PI(kW)	TC(kW)	PI(kW)		
2000	2500			4500	66%	-15	3.15	1.18	3.05	1.20	2.96	1.22	2.92	1.22	2.89	1.23	2.82	1.24	2.77	1.25		
						-10	3.77	1.25	3.67	1.27	3.57	1.28	3.53	1.29	3.49	1.30	3.42	1.31	3.36	1.32		
						-5	4.40	1.31	4.29	1.33	4.19	1.35	4.14	1.35	4.10	1.36	4.02	1.37	3.96	1.39		
						0	5.02	1.37	4.90	1.39	4.80	1.41	4.75	1.42	4.71	1.42	4.62	1.44	4.55	1.45		
						2	5.27	1.39	5.15	1.41	5.05	1.43	5.00	1.44	4.95	1.45	4.86	1.47	4.79	1.48		
						7	5.77	1.44	5.65	1.46	5.54	1.48	5.50	1.49	5.44	1.50	5.35	1.52	5.27	1.53		
						10	6.27	1.49	6.15	1.51	6.03	1.53	5.98	1.54	5.92	1.55	5.83	1.57	5.75	1.58		
						15	6.90	1.55	6.77	1.57	6.65	1.59	6.59	1.60	6.53	1.61	6.44	1.63	6.35	1.65		
2000	3500			5500	81%	-15	3.55	1.33	3.44	1.35	3.34	1.36	3.29	1.37	3.25	1.38	3.18	1.39	3.12	1.40		
						-10	4.25	1.40	4.13	1.42	4.03	1.44	3.98	1.45	3.94	1.45	3.86	1.47	3.79	1.48		
						-5	4.95	1.47	4.83	1.49	4.72	1.51	4.67	1.52	4.62	1.53	4.53	1.54	4.46	1.55		
						0	5.66	1.53	5.53	1.56	5.41	1.58	5.36	1.59	5.30	1.60	5.21	1.61	5.13	1.63		
						2	5.94	1.56	5.81	1.59	5.69	1.61	5.63	1.62	5.58	1.63	5.48	1.64	5.40	1.66		
						7	6.51	1.62	6.37	1.64	6.24	1.66	6.20	1.67	6.13	1.68	6.03	1.70	5.94	1.72		
						10	7.07	1.67	6.93	1.69	6.80	1.72	6.74	1.73	6.68	1.74	6.57	1.76	6.48	1.77		
						15	7.78	1.74	7.63	1.76	7.49	1.79	7.43	1.80	7.37	1.81	7.25	1.83	7.15	1.85		
2000	5000			7000	103%	-15	4.47	1.58	4.33	1.61	4.20	1.63	4.14	1.64	4.09	1.64	4.00	1.66	3.92	1.67		
						-10	5.35	1.66	5.20	1.69	5.07	1.71	5.01	1.72	4.95	1.73	4.85	1.75	4.77	1.76		
						-5	6.23	1.75	6.08	1.77	5.94	1.80	5.87	1.81	5.81	1.82	5.70	1.84	5.61	1.85		
						0	7.12	1.83	6.96	1.86	6.81	1.88	6.74	1.89	6.67	1.90	6.56	1.92	6.45	1.94		
						2	7.47	1.86	7.31	1.89	7.15	1.91	7.08	1.93	7.02	1.94	6.90	1.96	6.79	1.97		
						7	8.19	1.93	8.01	1.95	7.85	1.98	7.80	1.99	7.71	2.00	7.58	2.03	7.47	2.04		
						10	8.90	1.99	8.72	2.02	8.55	2.05	8.47	2.06	8.40	2.07	8.27	2.09	8.15	2.11		
						15	9.79	2.07	9.60	2.10	9.43	2.13	9.34	2.14	9.27	2.16	9.13	2.18	9.00	2.20		
2500	2500			5000	74%	-15	3.78	1.50	3.66	1.52	3.55	1.54	3.51	1.55	3.46	1.56	3.38	1.58	3.32	1.59		
						-10	4.53	1.58	4.40	1.60	4.29	1.63	4.24	1.64	4.19	1.64	4.10	1.66	4.03	1.67		
						-5	5.27	1.66	5.14	1.68	5.02	1.71	4.97	1.72	4.92	1.73	4.83	1.74	4.75	1.76		
						0	6.02	1.74	5.89	1.76	5.76	1.79	5.70	1.80	5.65	1.81	5.55	1.83	5.46	1.84		
						2	6.32	1.77	6.18	1.79	6.05	1.82	5.99	1.83	5.94	1.84	5.84	1.86	5.75	1.88		
						7	6.93	1.83	6.78	1.86	6.64	1.88	6.60	1.89	6.52	1.90	6.42	1.92	6.32	1.94		
						10	7.53	1.89	7.37	1.92	7.24	1.94	7.17	1.96	7.11	1.97	7.00	1.99	6.90	2.01		
						15	8.28	1.97	8.12	2.00	7.98	2.02	7.91	2.03	7.84	2.05	7.72	2.07	7.62	2.09		
2500	3500			6000	88%	-15	4.18	1.55	4.05	1.57	3.93	1.59	3.88	1.60	3.83	1.61	3.74	1.63	3.67	1.64		
						-10	5.01	1.63	4.87	1.66	4.74	1.68	4.69	1.69	4.63	1.70	4.54	1.71	4.46	1.73		
						-5	5.83	1.71	5.69	1.74	5.56	1.76	5.50	1.77	5.44	1.78	5.34	1.80	5.25	1.81		
						0	6.66	1.79	6.51	1.82	6.37	1.84	6.31	1.85	6.25	1.86	6.14	1.88	6.04	1.90		
						2	7.00	1.82	6.84	1.85	6.70	1.88	6.63	1.89	6.57	1.90	6.46	1.92	6.36	1.94		
						7	7.66	1.89	7.50	1.92	7.35	1.94	7.30	1.95	7.22	1.96	7.10	1.99	6.99	2.00		
						10	8.33	1.95	8.16	1.98	8.00	2.01	7.93	2.02	7.86	2.03	7.74	2.05	7.63	2.07		
						15	9.16	2.03	8.98	2.06	8.82	2.09	8.75	2.10	8.67	2.11	8.54	2.14	8.42	2.16		

# 12. Capacity Table

## 12-4. AJ068MCJ3EH/EU

### HEATING

Combination (Capacity Index)				Combination (Total)	Combination (%)	Outdoor Temperature (°C, DB)	Indoor Temperature (°C, DB)															
							14		16		18		20		21		22		24			
							TC(kW)	PI(kW)	TC(kW)	PI(kW)	TC(kW)	PI(kW)	TC(kW)	PI(kW)	TC(kW)	PI(kW)	TC(kW)	PI(kW)	TC(kW)	PI(kW)		
2500	5000			7500	110%	-15	4.47	1.62	4.33	1.65	4.20	1.67	4.14	1.68	4.09	1.69	4.00	1.70	3.92	1.72		
						-10	5.35	1.71	5.20	1.73	5.07	1.75	5.01	1.77	4.95	1.77	4.85	1.79	4.77	1.81		
						-5	6.23	1.79	6.08	1.82	5.94	1.84	5.87	1.85	5.81	1.86	5.70	1.88	5.61	1.90		
						0	7.12	1.87	6.96	1.90	6.81	1.93	6.74	1.94	6.67	1.95	6.56	1.97	6.45	1.99		
						2	7.47	1.91	7.31	1.94	7.15	1.96	7.08	1.97	7.02	1.99	6.90	2.01	6.79	2.02		
						7	8.19	1.97	8.01	2.00	7.85	2.03	7.80	2.04	7.71	2.05	7.58	2.08	7.47	2.10		
						10	8.90	2.04	8.72	2.07	8.55	2.10	8.47	2.11	8.40	2.12	8.27	2.15	8.15	2.17		
3500	3500			7000	103%	-15	4.47	1.58	4.33	1.61	4.20	1.63	4.14	1.64	4.09	1.64	4.00	1.66	3.92	1.67		
						-10	5.35	1.66	5.20	1.69	5.07	1.71	5.01	1.72	4.95	1.73	4.85	1.75	4.77	1.76		
						-5	6.23	1.75	6.08	1.77	5.94	1.80	5.87	1.81	5.81	1.82	5.70	1.84	5.61	1.85		
						0	7.12	1.83	6.96	1.86	6.81	1.88	6.74	1.89	6.67	1.90	6.56	1.92	6.45	1.94		
						2	7.47	1.86	7.31	1.89	7.15	1.91	7.08	1.93	7.02	1.94	6.90	1.96	6.79	1.97		
						7	8.19	1.93	8.01	1.95	7.85	1.98	7.80	1.99	7.71	2.00	7.58	2.03	7.47	2.04		
						10	8.90	1.99	8.72	2.02	8.55	2.05	8.47	2.06	8.40	2.07	8.27	2.09	8.15	2.11		
3500	5000			8500	125%	-15	4.58	1.66	4.44	1.69	4.31	1.71	4.25	1.72	4.20	1.73	4.10	1.74	4.02	1.76		
						-10	5.49	1.75	5.33	1.77	5.20	1.80	5.14	1.81	5.08	1.82	4.97	1.84	4.89	1.85		
						-5	6.39	1.83	6.23	1.86	6.09	1.89	6.02	1.90	5.96	1.91	5.85	1.93	5.75	1.94		
						0	7.30	1.92	7.13	1.95	6.98	1.98	6.91	1.99	6.84	2.00	6.72	2.02	6.62	2.04		
						2	7.67	1.95	7.49	1.98	7.34	2.01	7.27	2.02	7.20	2.03	7.07	2.06	6.97	2.07		
						7	8.40	2.02	8.22	2.05	8.05	2.08	8.00	2.09	7.91	2.11	7.78	2.13	7.66	2.15		
						10	9.12	2.09	8.94	2.12	8.77	2.15	8.69	2.16	8.62	2.18	8.48	2.20	8.36	2.22		
5000	5000			10000	147%	-15	4.58	1.65	4.44	1.68	4.31	1.70	4.25	1.71	4.20	1.72	4.10	1.74	4.02	1.75		
						-10	5.49	1.74	5.33	1.77	5.20	1.79	5.14	1.80	5.08	1.81	4.97	1.83	4.89	1.84		
						-5	6.39	1.83	6.23	1.85	6.09	1.88	6.02	1.89	5.96	1.90	5.85	1.92	5.75	1.94		
						0	7.30	1.91	7.13	1.94	6.98	1.97	6.91	1.98	6.84	1.99	6.72	2.01	6.62	2.03		
						2	7.67	1.95	7.49	1.97	7.34	2.00	7.27	2.01	7.20	2.02	7.07	2.05	6.97	2.06		
						7	8.40	2.01	8.22	2.04	8.05	2.07	8.00	2.08	7.91	2.10	7.78	2.12	7.66	2.14		
						10	9.12	2.08	8.94	2.11	8.77	2.14	8.69	2.15	8.62	2.17	8.48	2.19	8.36	2.21		
2000	2000	2000		6000	88%	-15	3.78	1.40	3.66	1.42	3.55	1.44	3.51	1.45	3.46	1.45	3.38	1.47	3.32	1.48		
						-10	4.53	1.47	4.40	1.49	4.29	1.51	4.24	1.52	4.19	1.53	4.10	1.55	4.03	1.56		
						-5	5.27	1.55	5.14	1.57	5.02	1.59	4.97	1.60	4.92	1.61	4.83	1.62	4.75	1.64		
						0	6.02	1.62	5.89	1.64	5.76	1.66	5.70	1.67	5.65	1.68	5.55	1.70	5.46	1.72		
						2	6.32	1.65	6.18	1.67	6.05	1.69	5.99	1.70	5.94	1.71	5.84	1.73	5.75	1.75		
						7	6.93	1.70	6.78	1.73	6.64	1.75	6.60	1.76	6.52	1.77	6.42	1.79	6.32	1.81		
						10	7.53	1.76	7.37	1.79	7.24	1.81	7.17	1.82	7.11	1.83	7.00	1.85	6.90	1.87		
						15	8.28	1.83	8.12	1.86	7.98	1.88	7.91	1.89	7.84	1.91	7.72	1.93	7.62	1.95		

# 12. Capacity Table

## 12-4. AJ068MCJ3EH/EU

### HEATING

Combination (Capacity Index)				Combination (Total)	Combination (%)	Outdoor Temperature (°C, DB)	Indoor Temperature (°C, DB)													
							14		16		18		20		21		22		24	
							TC(kW)	PI(kW)	TC(kW)	PI(kW)	TC(kW)	PI(kW)	TC(kW)	PI(kW)	TC(kW)	PI(kW)	TC(kW)	PI(kW)	TC(kW)	PI(kW)
2000	2000	2500	6500	96%	-15	4.41	1.45	4.27	1.48	4.15	1.50	4.09	1.50	4.04	1.51	3.95	1.53	3.87	1.54	
					-10	5.28	1.53	5.13	1.55	5.00	1.57	4.94	1.58	4.89	1.59	4.79	1.61	4.70	1.62	
					-5	6.15	1.61	6.00	1.63	5.86	1.65	5.80	1.66	5.74	1.67	5.63	1.69	5.54	1.70	
					0	7.03	1.68	6.87	1.71	6.72	1.73	6.65	1.74	6.59	1.75	6.47	1.77	6.37	1.78	
					2	7.38	1.71	7.21	1.74	7.06	1.76	6.99	1.77	6.93	1.78	6.81	1.80	6.71	1.82	
					7	8.08	1.77	7.91	1.80	7.75	1.82	7.70	1.83	7.61	1.84	7.49	1.86	7.38	1.88	
					10	8.78	1.83	8.60	1.86	8.44	1.88	8.37	1.89	8.29	1.91	8.16	1.93	8.05	1.94	
					15	9.66	1.90	9.48	1.93	9.30	1.96	9.22	1.97	9.15	1.98	9.01	2.00	8.88	2.02	
2000	2000	3500	7500	110%	-15	4.58	1.53	4.44	1.55	4.31	1.57	4.25	1.58	4.20	1.59	4.10	1.60	4.02	1.62	
					-10	5.49	1.61	5.33	1.63	5.20	1.65	5.14	1.66	5.08	1.67	4.97	1.69	4.89	1.70	
					-5	6.39	1.69	6.23	1.71	6.09	1.73	6.02	1.74	5.96	1.75	5.85	1.77	5.75	1.79	
					0	7.30	1.76	7.13	1.79	6.98	1.81	6.91	1.83	6.84	1.84	6.72	1.85	6.62	1.87	
					2	7.67	1.80	7.49	1.82	7.34	1.85	7.27	1.86	7.20	1.87	7.07	1.89	6.97	1.91	
					7	8.40	1.86	8.22	1.89	8.05	1.91	8.00	1.92	7.91	1.93	7.78	1.95	7.66	1.97	
					10	9.12	1.92	8.94	1.95	8.77	1.97	8.69	1.99	8.62	2.00	8.48	2.02	8.36	2.04	
					15	10.04	2.00	9.84	2.03	9.67	2.05	9.58	2.07	9.51	2.08	9.36	2.10	9.23	2.12	
2000	2000	5000	9000	132%	-15	4.58	1.56	4.44	1.58	4.31	1.60	4.25	1.61	4.20	1.62	4.10	1.64	4.02	1.65	
					-10	5.49	1.64	5.33	1.66	5.20	1.69	5.14	1.70	5.08	1.71	4.97	1.72	4.89	1.74	
					-5	6.39	1.72	6.23	1.75	6.09	1.77	6.02	1.78	5.96	1.79	5.85	1.81	5.75	1.82	
					0	7.30	1.80	7.13	1.83	6.98	1.85	6.91	1.86	6.84	1.87	6.72	1.89	6.62	1.91	
					2	7.67	1.83	7.49	1.86	7.34	1.89	7.27	1.90	7.20	1.91	7.07	1.93	6.97	1.95	
					7	8.40	1.90	8.22	1.92	8.05	1.95	8.00	1.96	7.91	1.97	7.78	2.00	7.66	2.01	
					10	9.12	1.96	8.94	1.99	8.77	2.02	8.69	2.03	8.62	2.04	8.48	2.06	8.36	2.08	
					15	10.04	2.04	9.84	2.07	9.67	2.10	9.58	2.11	9.51	2.12	9.36	2.15	9.23	2.17	
2000	2500	2500	7000	103%	-15	4.58	1.49	4.44	1.52	4.31	1.54	4.25	1.55	4.20	1.55	4.10	1.57	4.02	1.58	
					-10	5.49	1.57	5.33	1.60	5.20	1.62	5.14	1.63	5.08	1.64	4.97	1.65	4.89	1.67	
					-5	6.39	1.65	6.23	1.67	6.09	1.70	6.02	1.71	5.96	1.72	5.85	1.73	5.75	1.75	
					0	7.30	1.73	7.13	1.75	6.98	1.78	6.91	1.79	6.84	1.80	6.72	1.82	6.62	1.83	
					2	7.67	1.76	7.49	1.78	7.34	1.81	7.27	1.82	7.20	1.83	7.07	1.85	6.97	1.87	
					7	8.40	1.82	8.22	1.85	8.05	1.87	8.00	1.88	7.91	1.89	7.78	1.91	7.66	1.93	
					10	9.12	1.88	8.94	1.91	8.77	1.93	8.69	1.95	8.62	1.96	8.48	1.98	8.36	2.00	
					15	10.04	1.96	9.84	1.98	9.67	2.01	9.58	2.02	9.51	2.04	9.36	2.06	9.23	2.08	
2000	2500	3500	8000	118%	-15	4.58	1.52	4.44	1.54	4.31	1.56	4.25	1.57	4.20	1.58	4.10	1.59	4.02	1.61	
					-10	5.49	1.60	5.33	1.62	5.20	1.64	5.14	1.65	5.08	1.66	4.97	1.68	4.89	1.69	
					-5	6.39	1.68	6.23	1.70	6.09	1.72	6.02	1.73	5.96	1.74	5.85	1.76	5.75	1.78	
					0	7.30	1.76	7.13	1.78	6.98	1.80	6.91	1.82	6.84	1.83	6.72	1.85	6.62	1.86	
					2	7.67	1.79	7.49	1.81	7.34	1.84	7.27	1.85	7.20	1.86	7.07	1.88	6.97	1.90	
					7	8.40	1.85	8.22	1.88	8.05	1.90	8.00	1.91	7.91	1.92	7.78	1.94	7.66	1.96	
					10	9.12	1.91	8.94	1.94	8.77	1.96	8.69	1.98	8.62	1.99	8.48	2.01	8.36	2.03	
					15	10.04	1.99	9.84	2.02	9.67	2.04	9.58	2.06	9.51	2.07	9.36	2.09	9.23	2.11	

# 12. Capacity Table

## 12-4. AJ068MCJ3EH/EU

### HEATING

Combination (Capacity Index)				Combination (Total)	Combination (%)	Outdoor Temperature (°C, DB)	Indoor Temperature (°C, DB)															
							14		16		18		20		21		22		24			
							TC(kW)	PI(kW)	TC(kW)	PI(kW)	TC(kW)	PI(kW)	TC(kW)	PI(kW)	TC(kW)	PI(kW)	TC(kW)	PI(kW)	TC(kW)	PI(kW)		
2000	2500	5000	9500	140%	-15	4.58	1.53	4.44	1.55	4.31	1.57	4.25	1.58	4.20	1.59	4.10	1.60	4.02	1.62			
					-10	5.49	1.61	5.33	1.63	5.20	1.65	5.14	1.66	5.08	1.67	4.97	1.69	4.89	1.70			
					-5	6.39	1.69	6.23	1.71	6.09	1.73	6.02	1.74	5.96	1.75	5.85	1.77	5.75	1.79			
					0	7.30	1.76	7.13	1.79	6.98	1.81	6.91	1.83	6.84	1.84	6.72	1.85	6.62	1.87			
					2	7.67	1.80	7.49	1.82	7.34	1.85	7.27	1.86	7.20	1.87	7.07	1.89	6.97	1.91			
					7	8.40	1.86	8.22	1.89	8.05	1.91	8.00	1.92	7.91	1.93	7.78	1.95	7.66	1.97			
					10	9.12	1.92	8.94	1.95	8.77	1.97	8.69	1.99	8.62	2.00	8.48	2.02	8.36	2.04			
2000	3500	3500	9000	132%	-15	4.58	1.56	4.44	1.58	4.31	1.60	4.25	1.61	4.20	1.62	4.10	1.64	4.02	1.65			
					-10	5.49	1.64	5.33	1.66	5.20	1.69	5.14	1.70	5.08	1.71	4.97	1.72	4.89	1.74			
					-5	6.39	1.72	6.23	1.75	6.09	1.77	6.02	1.78	5.96	1.79	5.85	1.81	5.75	1.82			
					0	7.30	1.80	7.13	1.83	6.98	1.85	6.91	1.86	6.84	1.87	6.72	1.89	6.62	1.91			
					2	7.67	1.83	7.49	1.86	7.34	1.89	7.27	1.90	7.20	1.91	7.07	1.93	6.97	1.95			
					7	8.40	1.90	8.22	1.92	8.05	1.95	8.00	1.96	7.91	1.97	7.78	2.00	7.66	2.01			
					10	9.12	1.96	8.94	1.99	8.77	2.02	8.69	2.03	8.62	2.04	8.48	2.06	8.36	2.08			
2000	3500	5000	10500	154%	-15	4.58	1.55	4.44	1.57	4.31	1.59	4.25	1.60	4.20	1.61	4.10	1.63	4.02	1.64			
					-10	5.49	1.63	5.33	1.66	5.20	1.68	5.14	1.69	5.08	1.70	4.97	1.71	4.89	1.73			
					-5	6.39	1.71	6.23	1.74	6.09	1.76	6.02	1.77	5.96	1.78	5.85	1.80	5.75	1.81			
					0	7.30	1.79	7.13	1.82	6.98	1.84	6.91	1.85	6.84	1.86	6.72	1.88	6.62	1.90			
					2	7.67	1.82	7.49	1.85	7.34	1.88	7.27	1.89	7.20	1.90	7.07	1.92	6.97	1.94			
					7	8.40	1.89	8.22	1.92	8.05	1.94	8.00	1.95	7.91	1.96	7.78	1.99	7.66	2.00			
					10	9.12	1.95	8.94	1.98	8.77	2.01	8.69	2.02	8.62	2.03	8.48	2.05	8.36	2.07			
2500	2500	2500	7500	110%	-15	4.58	1.53	4.44	1.56	4.31	1.58	4.25	1.59	4.20	1.60	4.10	1.61	4.02	1.62			
					-10	5.49	1.61	5.33	1.64	5.20	1.66	5.14	1.67	5.08	1.68	4.97	1.70	4.89	1.71			
					-5	6.39	1.69	6.23	1.72	6.09	1.74	6.02	1.75	5.96	1.76	5.85	1.78	5.75	1.80			
					0	7.30	1.77	7.13	1.80	6.98	1.82	6.91	1.83	6.84	1.85	6.72	1.86	6.62	1.88			
					2	7.67	1.80	7.49	1.83	7.34	1.86	7.27	1.87	7.20	1.88	7.07	1.90	6.97	1.92			
					7	8.40	1.87	8.22	1.90	8.05	1.92	8.00	1.93	7.91	1.94	7.78	1.96	7.66	1.98			
					10	9.12	1.93	8.94	1.96	8.77	1.99	8.69	2.00	8.62	2.01	8.48	2.03	8.36	2.05			
2500	2500	3500	8500	125%	-15	4.58	1.52	4.44	1.54	4.31	1.56	4.25	1.57	4.20	1.58	4.10	1.59	4.02	1.61			
					-10	5.49	1.60	5.33	1.62	5.20	1.64	5.14	1.65	5.08	1.66	4.97	1.68	4.89	1.69			
					-5	6.39	1.68	6.23	1.70	6.09	1.72	6.02	1.73	5.96	1.74	5.85	1.76	5.75	1.78			
					0	7.30	1.76	7.13	1.78	6.98	1.80	6.91	1.82	6.84	1.83	6.72	1.85	6.62	1.86			
					2	7.67	1.79	7.49	1.81	7.34	1.84	7.27	1.85	7.20	1.86	7.07	1.88	6.97	1.90			
					7	8.40	1.85	8.22	1.88	8.05	1.90	8.00	1.91	7.91	1.92	7.78	1.94	7.66	1.96			
					10	9.12	1.91	8.94	1.94	8.77	1.96	8.69	1.98	8.62	1.99	8.48	2.01	8.36	2.03			
15	10.04	1.99	9.84	2.02	9.67	2.04	9.58	2.06	9.51	2.07	9.36	2.09	9.23	2.11								

# 12. Capacity Table

## 12-4. AJ068MCJ3EH/EU

### HEATING

Combination (Capacity Index)				Combination (Total)	Combination (%)	Outdoor Temperature (°C, DB)	Indoor Temperature (°C, DB)													
							14		16		18		20		21		22		24	
							TC(kW)	PI(kW)	TC(kW)	PI(kW)	TC(kW)	PI(kW)	TC(kW)	PI(kW)	TC(kW)	PI(kW)	TC(kW)	PI(kW)	TC(kW)	PI(kW)
2500	2500	5000	10000	147%	-15	4.58	1.55	4.44	1.57	4.31	1.59	4.25	1.60	4.20	1.61	4.10	1.63	4.02	1.64	
					-10	5.49	1.63	5.33	1.66	5.20	1.68	5.14	1.69	5.08	1.70	4.97	1.71	4.89	1.73	
					-5	6.39	1.71	6.23	1.74	6.09	1.76	6.02	1.77	5.96	1.78	5.85	1.80	5.75	1.81	
					0	7.30	1.79	7.13	1.82	6.98	1.84	6.91	1.85	6.84	1.86	6.72	1.88	6.62	1.90	
					2	7.67	1.82	7.49	1.85	7.34	1.88	7.27	1.89	7.20	1.90	7.07	1.92	6.97	1.94	
					7	8.40	1.89	8.22	1.92	8.05	1.94	8.00	1.95	7.91	1.96	7.78	1.99	7.66	2.00	
					10	9.12	1.95	8.94	1.98	8.77	2.01	8.69	2.02	8.62	2.03	8.48	2.05	8.36	2.07	
					15	10.04	2.03	9.84	2.06	9.67	2.09	9.58	2.10	9.51	2.11	9.36	2.14	9.23	2.16	
2500	3500	3500	9500	140%	-15	4.58	1.53	4.44	1.56	4.31	1.58	4.25	1.59	4.20	1.60	4.10	1.61	4.02	1.62	
					-10	5.49	1.61	5.33	1.64	5.20	1.66	5.14	1.67	5.08	1.68	4.97	1.70	4.89	1.71	
					-5	6.39	1.69	6.23	1.72	6.09	1.74	6.02	1.75	5.96	1.76	5.85	1.78	5.75	1.80	
					0	7.30	1.77	7.13	1.80	6.98	1.82	6.91	1.83	6.84	1.85	6.72	1.86	6.62	1.88	
					2	7.67	1.80	7.49	1.83	7.34	1.86	7.27	1.87	7.20	1.88	7.07	1.90	6.97	1.92	
					7	8.40	1.87	8.22	1.90	8.05	1.92	8.00	1.93	7.91	1.94	7.78	1.96	7.66	1.98	
					10	9.12	1.93	8.94	1.96	8.77	1.99	8.69	2.00	8.62	2.01	8.48	2.03	8.36	2.05	
					15	10.04	2.01	9.84	2.04	9.67	2.07	9.58	2.08	9.51	2.09	9.36	2.11	9.23	2.13	
2500	3500	5000	11000	162%	-15	4.58	1.57	4.44	1.60	4.31	1.62	4.25	1.63	4.20	1.64	4.10	1.65	4.02	1.67	
					-10	5.49	1.66	5.33	1.68	5.20	1.70	5.14	1.71	5.08	1.72	4.97	1.74	4.89	1.75	
					-5	6.39	1.74	6.23	1.76	6.09	1.79	6.02	1.80	5.96	1.81	5.85	1.83	5.75	1.84	
					0	7.30	1.82	7.13	1.85	6.98	1.87	6.91	1.88	6.84	1.89	6.72	1.91	6.62	1.93	
					2	7.67	1.85	7.49	1.88	7.34	1.90	7.27	1.92	7.20	1.93	7.07	1.95	6.97	1.96	
					7	8.40	1.92	8.22	1.94	8.05	1.97	8.00	1.98	7.91	1.99	7.78	2.02	7.66	2.03	
					10	9.12	1.98	8.94	2.01	8.77	2.04	8.69	2.05	8.62	2.06	8.48	2.08	8.36	2.10	
					15	10.04	2.06	9.84	2.09	9.67	2.12	9.58	2.13	9.51	2.14	9.36	2.17	9.23	2.19	
3500	3500	3500	10500	154%	-15	4.58	1.52	4.44	1.54	4.31	1.56	4.25	1.57	4.20	1.58	4.10	1.59	4.02	1.61	
					-10	5.49	1.60	5.33	1.62	5.20	1.64	5.14	1.65	5.08	1.66	4.97	1.68	4.89	1.69	
					-5	6.39	1.68	6.23	1.70	6.09	1.72	6.02	1.73	5.96	1.74	5.85	1.76	5.75	1.78	
					0	7.30	1.76	7.13	1.78	6.98	1.80	6.91	1.82	6.84	1.83	6.72	1.85	6.62	1.86	
					2	7.67	1.79	7.49	1.81	7.34	1.84	7.27	1.85	7.20	1.86	7.07	1.88	6.97	1.90	
					7	8.40	1.85	8.22	1.88	8.05	1.90	8.00	1.91	7.91	1.92	7.78	1.94	7.66	1.96	
					10	9.12	1.91	8.94	1.94	8.77	1.96	8.69	1.98	8.62	1.99	8.48	2.01	8.36	2.03	
					15	10.04	1.99	9.84	2.02	9.67	2.04	9.58	2.06	9.51	2.07	9.36	2.09	9.23	2.11	

### NOTE

- Cooling capacity is based on 27°CDB / 19°CWB (indoor temperature), 35°CDB (outdoor temperature).
- Heating capacity is based on 20°CDB (indoor temperature), 7°CDB/6°CWB (outdoor temperature).
- The above is the value for connecting with the following indoor units.
  - 2000, 2500, 3500, 5000W class: Wall Mounted
- Capacities are based on the following conditions:
  - Corresponding refrigerant piping length : 5m / - Level difference : 0m
- The total ability of connected a indoor unit is up to 11kW
- It is impossible to connect the indoor unit for one room only.
- This data is reference data for temperature capacity trend.

# 12. Capacity Table

## 12-5. AJ070MCJ4EH/EU

### COOLING

Combination (Capacity Index)				Combination (Total)	Combination (%)	Outdoor Temperature (°C, DB)	Indoor Temperature (°C, WB)															
							14		16		18		19		20		22		24			
							TC(kW)	PI(kW)	TC(kW)	PI(kW)	TC(kW)	PI(kW)	TC(kW)	PI(kW)	TC(kW)	PI(kW)	TC(kW)	PI(kW)	TC(kW)	PI(kW)		
2000				2000	29%	10	1.76	0.45	2.55	0.50	2.66	0.55	2.71	0.56	2.76	0.58	2.87	0.61	2.98	0.63		
						12	1.76	0.47	2.51	0.52	2.62	0.56	2.67	0.58	2.72	0.60	2.83	0.62	2.94	0.64		
						14	1.76	0.49	2.47	0.54	2.57	0.58	2.63	0.60	2.68	0.61	2.79	0.64	2.90	0.66		
						16	1.76	0.51	2.43	0.56	2.53	0.60	2.59	0.61	2.64	0.63	2.75	0.65	2.85	0.67		
						18	1.76	0.54	2.39	0.58	2.49	0.62	2.54	0.63	2.60	0.65	2.70	0.67	2.81	0.68		
						20	1.76	0.56	2.35	0.60	2.45	0.63	2.50	0.65	2.56	0.66	2.66	0.68	2.77	0.69		
						21	1.76	0.57	2.33	0.61	2.43	0.64	2.48	0.66	2.54	0.67	2.64	0.69	2.75	0.70		
						23	1.76	0.59	2.29	0.63	2.39	0.66	2.44	0.68	2.49	0.69	2.60	0.71	2.70	0.72		
						25	1.76	0.61	2.25	0.65	2.35	0.68	2.40	0.69	2.45	0.70	2.56	0.72	2.66	0.73		
						27	1.76	0.64	2.21	0.67	2.31	0.70	2.36	0.71	2.41	0.72	2.51	0.74	2.62	0.74		
						29	1.76	0.66	2.17	0.69	2.27	0.72	2.32	0.73	2.37	0.74	2.47	0.75	2.58	0.76		
						31	1.76	0.68	2.13	0.72	2.23	0.74	2.28	0.75	2.33	0.76	2.43	0.77	2.53	0.77		
						33	1.76	0.71	2.09	0.74	2.19	0.76	2.24	0.77	2.29	0.78	2.39	0.79	2.49	0.79		
						35	1.76	0.73	2.05	0.76	2.15	0.78	2.20	0.78	2.25	0.80	2.35	0.80	2.45	0.80		
						37	1.76	0.75	2.01	0.78	2.11	0.80	2.16	0.81	2.21	0.82	2.31	0.82	2.41	0.82		
						39	1.76	0.78	1.97	0.81	2.07	0.82	2.12	0.83	2.17	0.84	2.27	0.84	2.37	0.84		
42	1.74	0.82	1.91	0.84	2.01	0.86	2.06	0.86	2.11	0.87	2.21	0.87	2.30	0.86								
44	1.65	0.84	1.88	0.86	1.97	0.88	2.02	0.88	2.07	0.89	2.17	0.89	2.26	0.88								
46	1.61	0.87	1.84	0.89	1.93	0.90	1.98	0.91	2.03	0.91	2.12	0.91	2.22	0.90								
2500				2500	36%	10	2.00	0.49	2.90	0.54	3.02	0.59	3.08	0.61	3.14	0.63	3.26	0.66	3.39	0.68		
						12	2.00	0.51	2.85	0.56	2.97	0.61	3.03	0.63	3.09	0.64	3.22	0.67	3.34	0.69		
						14	2.00	0.53	2.80	0.58	2.93	0.62	2.99	0.64	3.05	0.66	3.17	0.69	3.29	0.71		
						16	2.00	0.55	2.76	0.60	2.88	0.64	2.94	0.66	3.00	0.68	3.12	0.70	3.24	0.72		
						18	2.00	0.58	2.71	0.62	2.83	0.66	2.89	0.68	2.95	0.69	3.07	0.72	3.19	0.73		
						20	2.00	0.60	2.67	0.65	2.79	0.68	2.85	0.70	2.90	0.71	3.02	0.73	3.14	0.75		
						21	2.00	0.61	2.64	0.66	2.76	0.69	2.82	0.71	2.88	0.72	3.00	0.74	3.12	0.76		
						23	2.00	0.64	2.60	0.68	2.72	0.71	2.78	0.73	2.83	0.74	2.95	0.76	3.07	0.77		
						25	2.00	0.66	2.55	0.70	2.67	0.73	2.73	0.75	2.79	0.76	2.91	0.78	3.02	0.79		
						27	2.00	0.68	2.51	0.72	2.62	0.75	2.68	0.77	2.74	0.78	2.86	0.79	2.98	0.80		
						29	2.00	0.71	2.46	0.75	2.58	0.78	2.64	0.79	2.69	0.80	2.81	0.81	2.93	0.82		
						31	2.00	0.73	2.42	0.77	2.53	0.80	2.59	0.81	2.65	0.82	2.76	0.83	2.88	0.83		
						33	2.00	0.76	2.37	0.79	2.49	0.82	2.54	0.83	2.60	0.84	2.72	0.85	2.83	0.85		
						35	2.00	0.79	2.33	0.82	2.44	0.84	2.50	0.84	2.56	0.86	2.67	0.87	2.78	0.87		
						37	2.00	0.81	2.29	0.84	2.40	0.86	2.45	0.87	2.51	0.88	2.62	0.89	2.74	0.88		
						39	2.00	0.84	2.24	0.87	2.35	0.89	2.41	0.90	2.46	0.90	2.58	0.91	2.69	0.90		
42	1.98	0.88	2.18	0.91	2.29	0.92	2.34	0.93	2.40	0.93	2.51	0.93	2.62	0.93								
44	1.88	0.91	2.13	0.93	2.24	0.95	2.30	0.95	2.35	0.96	2.46	0.96	2.57	0.95								
46	1.83	0.94	2.09	0.96	2.20	0.97	2.25	0.98	2.30	0.98	2.41	0.98	2.53	0.97								

# 12. Capacity Table

## 12-5. AJ070MCJ4EH/EU

### COOLING

Combination (Capacity Index)				Combination (Total)	Combination (%)	Outdoor Temperature (°C, DB)	Indoor Temperature (°C, WB)													
							14		16		18		19		20		22		24	
							TC(kW)	PI(kW)	TC(kW)	PI(kW)	TC(kW)	PI(kW)	TC(kW)	PI(kW)	TC(kW)	PI(kW)	TC(kW)	PI(kW)	TC(kW)	PI(kW)
3500				3500	50%	10	2.80	0.65	4.06	0.73	4.23	0.79	4.31	0.82	4.40	0.84	4.57	0.88	4.74	0.92
						12	2.80	0.68	3.99	0.75	4.16	0.82	4.25	0.84	4.33	0.87	4.50	0.90	4.68	0.93
						14	2.80	0.71	3.93	0.78	4.10	0.84	4.18	0.87	4.26	0.89	4.44	0.92	4.61	0.95
						16	2.80	0.74	3.86	0.81	4.03	0.87	4.11	0.89	4.20	0.91	4.37	0.95	4.54	0.97
						18	2.80	0.78	3.80	0.84	3.96	0.89	4.05	0.91	4.13	0.93	4.30	0.97	4.47	0.99
						20	2.80	0.81	3.73	0.87	3.90	0.92	3.98	0.94	4.07	0.96	4.23	0.99	4.40	1.01
						21	2.80	0.82	3.70	0.88	3.87	0.93	3.95	0.95	4.03	0.97	4.20	1.00	4.37	1.02
						23	2.80	0.85	3.64	0.91	3.80	0.96	3.89	0.98	3.97	1.00	4.13	1.02	4.30	1.04
						25	2.80	0.89	3.58	0.94	3.74	0.99	3.82	1.01	3.90	1.02	4.07	1.04	4.23	1.06
						27	2.80	0.92	3.51	0.97	3.67	1.02	3.76	1.03	3.84	1.05	4.00	1.07	4.17	1.08
						29	2.80	0.95	3.45	1.00	3.61	1.04	3.69	1.06	3.77	1.07	3.93	1.09	4.10	1.10
						31	2.80	0.99	3.39	1.04	3.55	1.07	3.63	1.09	3.71	1.10	3.87	1.12	4.03	1.12
						33	2.80	1.02	3.32	1.07	3.48	1.10	3.56	1.12	3.64	1.13	3.80	1.14	3.97	1.14
						35	2.80	1.06	3.26	1.10	3.42	1.13	3.50	1.13	3.58	1.15	3.74	1.17	3.90	1.17
						37	2.80	1.09	3.20	1.13	3.36	1.16	3.43	1.17	3.51	1.18	3.67	1.19	3.83	1.19
						39	2.80	1.13	3.14	1.17	3.29	1.19	3.37	1.20	3.45	1.21	3.61	1.22	3.77	1.21
42	2.77	1.18	3.05	1.22	3.20	1.24	3.28	1.25	3.35	1.26	3.51	1.26	3.67	1.25						
44	2.63	1.22	2.98	1.25	3.14	1.27	3.21	1.28	3.29	1.28	3.45	1.28	3.60	1.27						
46	2.56	1.26	2.92	1.29	3.07	1.31	3.15	1.31	3.23	1.32	3.38	1.31	3.54	1.30						
5000				5000	71%	10	3.92	0.88	5.68	0.98	5.92	1.06	6.04	1.10	6.16	1.13	6.40	1.19	6.64	1.23
						12	3.92	0.92	5.59	1.02	5.82	1.10	5.94	1.13	6.06	1.16	6.30	1.22	6.55	1.25
						14	3.92	0.96	5.50	1.05	5.73	1.13	5.85	1.16	5.97	1.19	6.21	1.24	6.45	1.28
						16	3.92	1.00	5.41	1.09	5.64	1.17	5.76	1.20	5.88	1.23	6.12	1.27	6.35	1.30
						18	3.92	1.04	5.32	1.13	5.55	1.20	5.67	1.23	5.79	1.26	6.02	1.30	6.26	1.33
						20	3.92	1.08	5.23	1.17	5.46	1.24	5.58	1.26	5.69	1.29	5.93	1.33	6.16	1.35
						21	3.92	1.11	5.18	1.19	5.41	1.25	5.53	1.28	5.65	1.31	5.88	1.34	6.12	1.37
						23	3.92	1.15	5.10	1.23	5.32	1.29	5.44	1.32	5.56	1.34	5.79	1.37	6.02	1.39
						25	3.92	1.19	5.01	1.27	5.23	1.33	5.35	1.35	5.46	1.37	5.69	1.40	5.93	1.42
						27	3.92	1.24	4.92	1.31	5.14	1.37	5.26	1.39	5.37	1.41	5.60	1.44	5.83	1.45
						29	3.92	1.28	4.83	1.35	5.05	1.40	5.17	1.43	5.28	1.44	5.51	1.47	5.74	1.48
						31	3.92	1.33	4.74	1.39	4.97	1.44	5.08	1.46	5.19	1.48	5.42	1.50	5.64	1.51
						33	3.92	1.38	4.65	1.44	4.88	1.48	4.99	1.50	5.10	1.52	5.32	1.53	5.55	1.54
						35	3.92	1.42	4.57	1.48	4.79	1.52	4.90	1.52	5.01	1.55	5.23	1.57	5.46	1.57
						37	3.92	1.47	4.48	1.52	4.70	1.57	4.81	1.58	4.92	1.59	5.14	1.60	5.36	1.60
						39	3.92	1.52	4.39	1.57	4.61	1.61	4.72	1.62	4.83	1.63	5.05	1.64	5.27	1.63
42	3.87	1.59	4.26	1.64	4.48	1.67	4.59	1.68	4.70	1.69	4.91	1.69	5.13	1.68						
44	3.68	1.64	4.18	1.69	4.39	1.71	4.50	1.72	4.61	1.73	4.82	1.73	5.04	1.71						
46	3.58	1.69	4.09	1.73	4.30	1.76	4.41	1.77	4.52	1.77	4.73	1.77	4.95	1.75						



# 12. Capacity Table

## 12-5. AJ070MCJ4EH/EU

### COOLING

Combination (Capacity Index)				Combination (Total)	Combination (%)	Outdoor Temperature (°C, DB)	Indoor Temperature (°C, WB)															
							14		16		18		19		20		22		24			
							TC(kW)	PI(kW)	TC(kW)	PI(kW)	TC(kW)	PI(kW)	TC(kW)	PI(kW)	TC(kW)	PI(kW)	TC(kW)	PI(kW)	TC(kW)	PI(kW)		
2000	2000			4000	57%	10	3.53	0.87	4.99	0.89	5.08	0.91	5.14	0.92	5.20	0.94	5.35	0.95	5.52	0.97		
						12	3.53	0.89	4.85	0.91	4.95	0.94	5.01	0.95	5.08	0.96	5.23	0.98	5.41	1.00		
						14	3.53	0.92	4.72	0.94	4.83	0.96	4.89	0.97	4.96	0.98	5.12	1.00	5.31	1.02		
						16	3.53	0.94	4.60	0.96	4.71	0.98	4.78	0.99	4.85	1.00	5.02	1.02	5.21	1.04		
						18	3.53	0.96	4.48	0.98	4.60	1.01	4.67	1.02	4.75	1.03	4.92	1.04	5.12	1.06		
						20	3.53	0.99	4.36	1.01	4.49	1.03	4.57	1.04	4.65	1.05	4.83	1.07	5.03	1.09		
						21	3.53	1.00	4.31	1.02	4.44	1.04	4.52	1.05	4.60	1.06	4.78	1.08	4.99	1.10		
						23	3.53	1.03	4.20	1.05	4.34	1.07	4.42	1.08	4.51	1.09	4.70	1.11	4.91	1.13		
						25	3.53	1.05	4.10	1.07	4.25	1.09	4.33	1.10	4.42	1.11	4.62	1.13	4.84	1.15		
						27	3.53	1.08	4.01	1.10	4.16	1.12	4.25	1.13	4.34	1.14	4.55	1.16	4.78	1.18		
						29	3.53	1.11	3.92	1.13	4.08	1.15	4.17	1.16	4.27	1.17	4.48	1.19	4.72	1.20		
						31	3.53	1.13	3.84	1.15	4.01	1.18	4.10	1.19	4.20	1.19	4.42	1.21	4.66	1.23		
						33	3.53	1.16	3.76	1.18	3.94	1.20	4.03	1.21	4.13	1.22	4.36	1.24	4.61	1.26		
						35	3.53	1.19	3.69	1.21	3.87	1.23	4.00	1.24	4.08	1.25	4.31	1.27	4.57	1.29		
						37	3.53	1.22	3.62	1.24	3.81	1.26	3.91	1.27	4.02	1.28	4.26	1.30	4.53	1.32		
						39	3.53	1.25	3.56	1.27	3.76	1.29	3.86	1.30	3.98	1.31	4.22	1.33	4.49	1.35		
42	3.53	1.30	3.48	1.32	3.69	1.34	3.80	1.35	3.92	1.36	4.17	1.38	4.46	1.40								
44	3.53	1.33	3.44	1.35	3.65	1.37	3.76	1.38	3.89	1.39	4.15	1.41	4.44	1.43								
46	3.53	1.37	3.39	1.39	3.61	1.41	3.73	1.42	3.86	1.43	4.13	1.44	4.42	1.46								
2000	2500			4500	64%	10	4.07	1.00	5.73	1.03	5.84	1.05	5.91	1.07	5.98	1.08	6.15	1.10	6.34	1.12		
						12	4.07	1.03	5.58	1.06	5.69	1.08	5.76	1.09	5.84	1.10	6.02	1.13	6.22	1.15		
						14	4.07	1.06	5.43	1.08	5.55	1.11	5.63	1.12	5.71	1.13	5.89	1.15	6.10	1.17		
						16	4.07	1.08	5.29	1.11	5.42	1.13	5.50	1.14	5.58	1.16	5.77	1.18	5.99	1.20		
						18	4.07	1.11	5.15	1.14	5.29	1.16	5.37	1.17	5.46	1.18	5.66	1.21	5.89	1.23		
						20	4.07	1.14	5.02	1.16	5.17	1.19	5.25	1.20	5.34	1.21	5.55	1.23	5.79	1.25		
						21	4.07	1.15	4.96	1.18	5.11	1.20	5.19	1.21	5.29	1.22	5.50	1.25	5.74	1.27		
						23	4.07	1.18	4.83	1.21	4.99	1.23	5.09	1.24	5.18	1.25	5.40	1.28	5.65	1.30		
						25	4.07	1.21	4.72	1.24	4.89	1.26	4.98	1.27	5.09	1.28	5.31	1.31	5.57	1.33		
						27	4.07	1.24	4.61	1.27	4.79	1.29	4.89	1.30	4.99	1.31	5.23	1.34	5.49	1.36		
						29	4.07	1.27	4.51	1.30	4.69	1.32	4.80	1.33	4.91	1.35	5.15	1.37	5.42	1.39		
						31	4.07	1.31	4.42	1.33	4.61	1.36	4.71	1.37	4.83	1.38	5.08	1.40	5.36	1.42		
						33	4.07	1.34	4.33	1.36	4.53	1.39	4.64	1.40	4.76	1.41	5.01	1.43	5.30	1.45		
						35	4.07	1.37	4.24	1.40	4.45	1.42	4.60	1.43	4.69	1.44	4.96	1.47	5.25	1.49		
						37	4.07	1.41	4.17	1.43	4.38	1.46	4.50	1.47	4.63	1.48	4.90	1.50	5.21	1.52		
						39	4.07	1.44	4.10	1.47	4.32	1.49	4.44	1.50	4.57	1.51	4.86	1.54	5.17	1.56		
42	4.07	1.50	4.01	1.52	4.24	1.55	4.37	1.56	4.51	1.57	4.80	1.59	5.12	1.61								
44	4.07	1.54	3.95	1.56	4.20	1.58	4.33	1.59	4.47	1.61	4.77	1.63	5.10	1.65								
46	4.07	1.57	3.90	1.60	4.16	1.62	4.29	1.63	4.44	1.64	4.75	1.66	5.09	1.68								

# 12. Capacity Table

## 12-5. AJ070MCJ4EH/EU

### COOLING

Combination (Capacity Index)				Combination (Total)	Combination (%)	Outdoor Temperature (°C, DB)	Indoor Temperature (°C, WB)													
							14		16		18		19		20		22		24	
							TC(kW)	PI(kW)	TC(kW)	PI(kW)	TC(kW)	PI(kW)	TC(kW)	PI(kW)	TC(kW)	PI(kW)	TC(kW)	PI(kW)	TC(kW)	PI(kW)
2000	3500			5500	79%	10	4.86	1.20	6.86	1.23	6.99	1.26	7.06	1.28	7.15	1.29	7.35	1.32	7.59	1.34
						12	4.86	1.23	6.67	1.26	6.81	1.29	6.89	1.31	6.98	1.32	7.19	1.35	7.44	1.37
						14	4.86	1.26	6.49	1.29	6.64	1.32	6.73	1.34	6.82	1.35	7.04	1.38	7.30	1.40
						16	4.86	1.29	6.32	1.32	6.48	1.35	6.57	1.37	6.67	1.38	6.90	1.41	7.16	1.43
						18	4.86	1.33	6.16	1.36	6.32	1.39	6.42	1.40	6.53	1.41	6.76	1.44	7.04	1.47
						20	4.86	1.36	6.00	1.39	6.18	1.42	6.28	1.43	6.39	1.45	6.64	1.47	6.92	1.50
						21	4.86	1.38	5.92	1.41	6.11	1.44	6.21	1.45	6.32	1.46	6.58	1.49	6.86	1.52
						23	4.86	1.41	5.78	1.44	5.97	1.47	6.08	1.49	6.20	1.50	6.46	1.53	6.76	1.55
						25	4.86	1.45	5.64	1.48	5.84	1.51	5.96	1.52	6.08	1.54	6.35	1.56	6.66	1.59
						27	4.86	1.49	5.51	1.52	5.72	1.54	5.84	1.56	5.97	1.57	6.25	1.60	6.57	1.62
						29	4.86	1.52	5.39	1.55	5.61	1.58	5.74	1.60	5.87	1.61	6.16	1.64	6.48	1.66
						31	4.86	1.56	5.28	1.59	5.51	1.62	5.64	1.63	5.77	1.65	6.07	1.67	6.41	1.70
						33	4.86	1.60	5.17	1.63	5.41	1.66	5.54	1.67	5.69	1.69	5.99	1.71	6.34	1.74
						35	4.86	1.64	5.07	1.67	5.32	1.70	5.50	1.71	5.61	1.73	5.92	1.75	6.28	1.78
						37	4.86	1.69	4.98	1.71	5.24	1.74	5.38	1.76	5.53	1.77	5.86	1.79	6.23	1.82
						39	4.86	1.73	4.90	1.76	5.17	1.78	5.31	1.80	5.47	1.81	5.81	1.84	6.18	1.86
42	4.86	1.79	4.79	1.82	5.07	1.85	5.22	1.86	5.39	1.88	5.74	1.90	6.13	1.93						
44	4.86	1.84	4.72	1.87	5.02	1.89	5.17	1.91	5.34	1.92	5.70	1.95	6.10	1.97						
46	4.86	1.88	4.67	1.91	4.97	1.94	5.13	1.95	5.30	1.97	5.68	1.99	6.08	2.01						
2000	5000			7000	100%	10	6.19	1.53	8.73	1.57	8.89	1.61	8.99	1.63	9.10	1.64	9.36	1.68	9.66	1.71
						12	6.19	1.57	8.49	1.61	8.67	1.65	8.77	1.66	8.89	1.68	9.15	1.72	9.47	1.75
						14	6.19	1.61	8.26	1.65	8.45	1.69	8.56	1.70	8.68	1.72	8.96	1.76	9.29	1.79
						16	6.19	1.65	8.04	1.69	8.24	1.73	8.36	1.74	8.49	1.76	8.78	1.80	9.12	1.83
						18	6.19	1.69	7.83	1.73	8.05	1.77	8.17	1.79	8.31	1.80	8.61	1.84	8.96	1.87
						20	6.19	1.74	7.64	1.77	7.86	1.81	7.99	1.83	8.13	1.85	8.45	1.88	8.81	1.91
						21	6.19	1.76	7.54	1.80	7.77	1.83	7.90	1.85	8.05	1.87	8.37	1.90	8.74	1.93
						23	6.19	1.80	7.36	1.84	7.60	1.88	7.74	1.89	7.89	1.91	8.22	1.95	8.60	1.98
						25	6.19	1.85	7.18	1.89	7.44	1.92	7.58	1.94	7.74	1.96	8.08	1.99	8.47	2.02
						27	6.19	1.90	7.02	1.93	7.29	1.97	7.44	1.99	7.60	2.00	7.96	2.04	8.36	2.07
						29	6.19	1.94	6.86	1.98	7.14	2.02	7.30	2.03	7.47	2.05	7.84	2.09	8.25	2.12
						31	6.19	1.99	6.72	2.03	7.01	2.07	7.17	2.08	7.35	2.10	7.73	2.13	8.15	2.17
						33	6.19	2.04	6.58	2.08	6.89	2.12	7.06	2.13	7.24	2.15	7.63	2.18	8.07	2.22
						35	6.19	2.10	6.46	2.13	6.77	2.17	7.00	2.18	7.13	2.20	7.54	2.24	7.99	2.27
						37	6.19	2.15	6.34	2.19	6.67	2.22	6.85	2.24	7.04	2.25	7.46	2.29	7.92	2.32
						39	6.19	2.20	6.24	2.24	6.58	2.27	6.76	2.29	6.96	2.31	7.39	2.34	7.87	2.37
42	6.19	2.29	6.09	2.32	6.45	2.36	6.65	2.37	6.86	2.39	7.30	2.42	7.80	2.45						
44	6.19	2.34	6.01	2.38	6.38	2.41	6.59	2.43	6.80	2.45	7.26	2.48	7.76	2.51						
46	6.19	2.40	5.94	2.44	6.32	2.47	6.53	2.49	6.75	2.51	7.22	2.54	7.74	2.57						

# 12. Capacity Table

## 12-5. AJ070MCJ4EH/EU

### COOLING

Combination (Capacity Index)				Combination (Total)	Combination (%)	Outdoor Temperature (°C, DB)	Indoor Temperature (°C, WB)															
							14		16		18		19		20		22		24			
							TC(kW)	PI(kW)	TC(kW)	PI(kW)	TC(kW)	PI(kW)	TC(kW)	PI(kW)	TC(kW)	PI(kW)	TC(kW)	PI(kW)	TC(kW)	PI(kW)		
2500	2500			5000	71%	10	4.60	1.17	6.48	1.20	6.61	1.22	6.68	1.24	6.76	1.25	6.95	1.28	7.17	1.30		
						12	4.60	1.20	6.31	1.22	6.44	1.25	6.52	1.27	6.60	1.28	6.80	1.31	7.03	1.33		
						14	4.60	1.23	6.14	1.25	6.28	1.28	6.36	1.30	6.45	1.31	6.66	1.34	6.90	1.36		
						16	4.60	1.26	5.97	1.29	6.12	1.31	6.21	1.33	6.31	1.34	6.52	1.37	6.77	1.39		
						18	4.60	1.29	5.82	1.32	5.98	1.35	6.07	1.36	6.17	1.37	6.40	1.40	6.65	1.42		
						20	4.60	1.32	5.67	1.35	5.84	1.38	5.94	1.39	6.04	1.41	6.28	1.43	6.54	1.46		
						21	4.60	1.34	5.60	1.37	5.77	1.39	5.87	1.41	5.98	1.42	6.22	1.45	6.49	1.47		
						23	4.60	1.37	5.47	1.40	5.65	1.43	5.75	1.44	5.86	1.46	6.11	1.48	6.39	1.51		
						25	4.60	1.41	5.34	1.44	5.53	1.46	5.63	1.48	5.75	1.49	6.01	1.52	6.29	1.54		
						27	4.60	1.44	5.21	1.47	5.41	1.50	5.52	1.51	5.64	1.53	5.91	1.55	6.21	1.58		
						29	4.60	1.48	5.10	1.51	5.31	1.54	5.42	1.55	5.55	1.56	5.82	1.59	6.13	1.61		
						31	4.60	1.52	4.99	1.55	5.21	1.57	5.33	1.59	5.46	1.60	5.74	1.63	6.06	1.65		
						33	4.60	1.56	4.89	1.58	5.12	1.61	5.24	1.62	5.38	1.64	5.67	1.66	5.99	1.69		
						35	4.60	1.60	4.80	1.62	5.03	1.65	5.20	1.66	5.30	1.68	5.60	1.70	5.94	1.73		
						37	4.60	1.64	4.71	1.66	4.95	1.69	5.09	1.70	5.23	1.72	5.54	1.74	5.89	1.77		
						39	4.60	1.68	4.63	1.71	4.89	1.73	5.02	1.74	5.17	1.76	5.49	1.78	5.84	1.81		
42	4.60	1.74	4.53	1.77	4.79	1.80	4.94	1.81	5.09	1.82	5.43	1.85	5.79	1.87								
44	4.60	1.78	4.47	1.81	4.74	1.84	4.89	1.85	5.05	1.86	5.39	1.89	5.77	1.91								
46	4.60	1.83	4.41	1.86	4.70	1.88	4.85	1.90	5.02	1.91	5.37	1.93	5.75	1.96								
2500	3500			6000	86%	10	5.39	1.32	7.60	1.35	7.75	1.39	7.83	1.40	7.93	1.42	8.15	1.45	8.41	1.48		
						12	5.39	1.35	7.40	1.39	7.55	1.42	7.64	1.44	7.75	1.45	7.98	1.48	8.25	1.51		
						14	5.39	1.39	7.20	1.42	7.36	1.45	7.46	1.47	7.57	1.48	7.81	1.51	8.09	1.54		
						16	5.39	1.42	7.01	1.46	7.18	1.49	7.29	1.50	7.40	1.52	7.65	1.55	7.94	1.58		
						18	5.39	1.46	6.83	1.49	7.01	1.52	7.12	1.54	7.24	1.55	7.50	1.58	7.81	1.61		
						20	5.39	1.50	6.65	1.53	6.85	1.56	6.96	1.58	7.09	1.59	7.36	1.62	7.67	1.65		
						21	5.39	1.52	6.57	1.55	6.77	1.58	6.89	1.60	7.01	1.61	7.29	1.64	7.61	1.67		
						23	5.39	1.55	6.41	1.59	6.62	1.62	6.74	1.63	6.87	1.65	7.16	1.68	7.49	1.71		
						25	5.39	1.59	6.26	1.63	6.48	1.66	6.61	1.67	6.74	1.69	7.04	1.72	7.38	1.74		
						27	5.39	1.63	6.12	1.67	6.35	1.70	6.48	1.71	6.62	1.73	6.93	1.76	7.28	1.78		
						29	5.39	1.68	5.98	1.71	6.22	1.74	6.36	1.75	6.51	1.77	6.83	1.80	7.19	1.83		
						31	5.39	1.72	5.85	1.75	6.11	1.78	6.25	1.80	6.40	1.81	6.73	1.84	7.11	1.87		
						33	5.39	1.76	5.74	1.79	6.00	1.83	6.15	1.84	6.31	1.85	6.65	1.88	7.03	1.91		
						35	5.39	1.81	5.63	1.84	5.90	1.87	6.10	1.88	6.22	1.90	6.57	1.93	6.96	1.96		
						37	5.39	1.85	5.53	1.88	5.81	1.92	5.97	1.93	6.14	1.94	6.50	1.97	6.90	2.00		
						39	5.39	1.90	5.43	1.93	5.73	1.96	5.89	1.98	6.07	1.99	6.44	2.02	6.85	2.05		
42	5.39	1.97	5.31	2.00	5.62	2.03	5.79	2.05	5.97	2.06	6.37	2.09	6.79	2.12								
44	5.39	2.02	5.24	2.05	5.56	2.08	5.74	2.10	5.92	2.11	6.33	2.14	6.77	2.17								
46	5.39	2.07	5.18	2.10	5.51	2.13	5.69	2.15	5.88	2.16	6.29	2.19	6.74	2.22								

# 12. Capacity Table

## 12-5. AJ070MCJ4EH/EU

### COOLING

Combination (Capacity Index)				Combination (Total)	Combination (%)	Outdoor Temperature (°C, DB)	Indoor Temperature (°C, WB)													
							14		16		18		19		20		22		24	
							TC(kW)	PI(kW)	TC(kW)	PI(kW)	TC(kW)	PI(kW)	TC(kW)	PI(kW)	TC(kW)	PI(kW)	TC(kW)	PI(kW)	TC(kW)	PI(kW)
2500	5000			7500	107%	10	6.19	1.53	8.73	1.57	8.89	1.61	8.99	1.63	9.10	1.64	9.36	1.68	9.66	1.71
						12	6.19	1.57	8.49	1.61	8.67	1.65	8.77	1.66	8.89	1.68	9.15	1.72	9.47	1.75
						14	6.19	1.61	8.26	1.65	8.45	1.69	8.56	1.70	8.68	1.72	8.96	1.76	9.29	1.79
						16	6.19	1.65	8.04	1.69	8.24	1.73	8.36	1.74	8.49	1.76	8.78	1.80	9.12	1.83
						18	6.19	1.69	7.83	1.73	8.05	1.77	8.17	1.79	8.31	1.80	8.61	1.84	8.96	1.87
						20	6.19	1.74	7.64	1.77	7.86	1.81	7.99	1.83	8.13	1.85	8.45	1.88	8.81	1.91
						21	6.19	1.76	7.54	1.80	7.77	1.83	7.90	1.85	8.05	1.87	8.37	1.90	8.74	1.93
						23	6.19	1.80	7.36	1.84	7.60	1.88	7.74	1.89	7.89	1.91	8.22	1.95	8.60	1.98
						25	6.19	1.85	7.18	1.89	7.44	1.92	7.58	1.94	7.74	1.96	8.08	1.99	8.47	2.02
						27	6.19	1.90	7.02	1.93	7.29	1.97	7.44	1.99	7.60	2.00	7.96	2.04	8.36	2.07
						29	6.19	1.94	6.86	1.98	7.14	2.02	7.30	2.03	7.47	2.05	7.84	2.09	8.25	2.12
						31	6.19	1.99	6.72	2.03	7.01	2.07	7.17	2.08	7.35	2.10	7.73	2.13	8.15	2.17
						33	6.19	2.04	6.58	2.08	6.89	2.12	7.06	2.13	7.24	2.15	7.63	2.18	8.07	2.22
						35	6.19	2.10	6.46	2.13	6.77	2.17	7.00	2.18	7.13	2.20	7.54	2.24	7.99	2.27
						37	6.19	2.15	6.34	2.19	6.67	2.22	6.85	2.24	7.04	2.25	7.46	2.29	7.92	2.32
						39	6.19	2.20	6.24	2.24	6.58	2.27	6.76	2.29	6.96	2.31	7.39	2.34	7.87	2.37
42	6.19	2.29	6.09	2.32	6.45	2.36	6.65	2.37	6.86	2.39	7.30	2.42	7.80	2.45						
44	6.19	2.34	6.01	2.38	6.38	2.41	6.59	2.43	6.80	2.45	7.26	2.48	7.76	2.51						
46	6.19	2.40	5.94	2.44	6.32	2.47	6.53	2.49	6.75	2.51	7.22	2.54	7.74	2.57						
3500	3500			7000	100%	10	6.19	1.75	8.73	1.79	8.89	1.84	8.99	1.86	9.10	1.88	9.36	1.92	9.66	1.96
						12	6.19	1.79	8.49	1.84	8.67	1.88	8.77	1.90	8.89	1.92	9.15	1.96	9.47	2.00
						14	6.19	1.84	8.26	1.88	8.45	1.92	8.56	1.95	8.68	1.97	8.96	2.01	9.29	2.04
						16	6.19	1.89	8.04	1.93	8.24	1.97	8.36	1.99	8.49	2.01	8.78	2.05	9.12	2.09
						18	6.19	1.93	7.83	1.98	8.05	2.02	8.17	2.04	8.31	2.06	8.61	2.10	8.96	2.14
						20	6.19	1.98	7.64	2.03	7.86	2.07	7.99	2.09	8.13	2.11	8.45	2.15	8.81	2.18
						21	6.19	2.01	7.54	2.05	7.77	2.09	7.90	2.11	8.05	2.13	8.37	2.17	8.74	2.21
						23	6.19	2.06	7.36	2.10	7.60	2.14	7.74	2.16	7.89	2.18	8.22	2.22	8.60	2.26
						25	6.19	2.11	7.18	2.15	7.44	2.20	7.58	2.22	7.74	2.24	8.08	2.27	8.47	2.31
						27	6.19	2.16	7.02	2.21	7.29	2.25	7.44	2.27	7.60	2.29	7.96	2.33	8.36	2.36
						29	6.19	2.22	6.86	2.26	7.14	2.30	7.30	2.32	7.47	2.34	7.84	2.38	8.25	2.42
						31	6.19	2.28	6.72	2.32	7.01	2.36	7.17	2.38	7.35	2.40	7.73	2.44	8.15	2.47
						33	6.19	2.33	6.58	2.38	6.89	2.42	7.06	2.44	7.24	2.46	7.63	2.49	8.07	2.53
						35	6.19	2.39	6.46	2.44	6.77	2.48	7.00	2.49	7.13	2.52	7.54	2.55	7.99	2.59
						37	6.19	2.45	6.34	2.50	6.67	2.54	6.85	2.56	7.04	2.58	7.46	2.61	7.92	2.65
						39	6.19	2.52	6.24	2.56	6.58	2.60	6.76	2.62	6.96	2.64	7.39	2.67	7.87	2.71
42	6.19	2.61	6.09	2.65	6.45	2.69	6.65	2.71	6.86	2.73	7.30	2.77	7.80	2.80						
44	6.19	2.68	6.01	2.72	6.38	2.76	6.59	2.78	6.80	2.80	7.26	2.83	7.76	2.87						
46	6.19	2.74	5.94	2.78	6.32	2.82	6.53	2.84	6.75	2.86	7.22	2.90	7.74	2.93						

# 12. Capacity Table

## 12-5. AJ070MCJ4EH/EU

### COOLING

Combination (Capacity Index)				Combination (Total)	Combination (%)	Outdoor Temperature (°C, DB)	Indoor Temperature (°C, WB)															
							14		16		18		19		20		22		24			
							TC(kW)	PI(kW)	TC(kW)	PI(kW)	TC(kW)	PI(kW)	TC(kW)	PI(kW)	TC(kW)	PI(kW)	TC(kW)	PI(kW)	TC(kW)	PI(kW)		
3500	5000			8500	121%	10	6.19	1.48	8.73	1.52	8.89	1.56	8.99	1.57	9.10	1.59	9.36	1.62	9.66	1.66		
						12	6.19	1.52	8.49	1.56	8.67	1.59	8.77	1.61	8.89	1.63	9.15	1.66	9.47	1.69		
						14	6.19	1.56	8.26	1.60	8.45	1.63	8.56	1.65	8.68	1.67	8.96	1.70	9.29	1.73		
						16	6.19	1.60	8.04	1.63	8.24	1.67	8.36	1.69	8.49	1.70	8.78	1.74	9.12	1.77		
						18	6.19	1.64	7.83	1.67	8.05	1.71	8.17	1.73	8.31	1.74	8.61	1.78	8.96	1.81		
						20	6.19	1.68	7.64	1.72	7.86	1.75	7.99	1.77	8.13	1.79	8.45	1.82	8.81	1.85		
						21	6.19	1.70	7.54	1.74	7.77	1.77	7.90	1.79	8.05	1.81	8.37	1.84	8.74	1.87		
						23	6.19	1.74	7.36	1.78	7.60	1.82	7.74	1.83	7.89	1.85	8.22	1.88	8.60	1.91		
						25	6.19	1.79	7.18	1.83	7.44	1.86	7.58	1.88	7.74	1.89	8.08	1.93	8.47	1.96		
						27	6.19	1.83	7.02	1.87	7.29	1.91	7.44	1.92	7.60	1.94	7.96	1.97	8.36	2.00		
						29	6.19	1.88	6.86	1.92	7.14	1.95	7.30	1.97	7.47	1.99	7.84	2.02	8.25	2.05		
						31	6.19	1.93	6.72	1.97	7.01	2.00	7.17	2.02	7.35	2.03	7.73	2.07	8.15	2.10		
						33	6.19	1.98	6.58	2.01	6.89	2.05	7.06	2.07	7.24	2.08	7.63	2.11	8.07	2.14		
						35	6.19	2.03	6.46	2.06	6.77	2.10	7.00	2.11	7.13	2.13	7.54	2.16	7.99	2.19		
						37	6.19	2.08	6.34	2.11	6.67	2.15	6.85	2.17	7.04	2.18	7.46	2.21	7.92	2.24		
						39	6.19	2.13	6.24	2.17	6.58	2.20	6.76	2.22	6.96	2.23	7.39	2.27	7.87	2.30		
42	6.19	2.21	6.09	2.25	6.45	2.28	6.65	2.30	6.86	2.31	7.30	2.35	7.80	2.38								
44	6.19	2.27	6.01	2.30	6.38	2.34	6.59	2.35	6.80	2.37	7.26	2.40	7.76	2.43								
46	6.19	2.32	5.94	2.36	6.32	2.39	6.53	2.41	6.75	2.42	7.22	2.46	7.74	2.49								
5000	5000			10000	143%	10	7.87	1.40	8.18	1.43	8.49	1.46	8.65	1.48	8.81	1.49	9.14	1.52	9.46	1.55		
						12	7.73	1.44	8.04	1.47	8.36	1.50	8.52	1.52	8.68	1.53	9.00	1.56	9.33	1.59		
						14	7.60	1.48	7.91	1.51	8.22	1.54	8.38	1.55	8.54	1.57	8.87	1.60	9.20	1.63		
						16	7.46	1.52	7.77	1.55	8.09	1.58	8.25	1.59	8.41	1.61	8.73	1.64	9.06	1.67		
						18	7.33	1.56	7.64	1.59	7.95	1.62	8.11	1.63	8.27	1.65	8.60	1.68	8.93	1.71		
						20	7.19	1.60	7.50	1.63	7.82	1.66	7.98	1.68	8.14	1.69	8.47	1.72	8.80	1.75		
						21	7.12	1.62	7.44	1.65	7.75	1.68	7.91	1.70	8.07	1.71	8.40	1.74	8.73	1.77		
						23	6.99	1.66	7.30	1.69	7.62	1.72	7.78	1.74	7.94	1.75	8.27	1.78	8.60	1.82		
						25	6.85	1.70	7.17	1.73	7.49	1.76	7.65	1.78	7.81	1.80	8.14	1.83	8.47	1.86		
						27	6.72	1.74	7.03	1.78	7.35	1.81	7.51	1.82	7.68	1.84	8.00	1.87	8.34	1.90		
						29	6.59	1.79	6.90	1.82	7.22	1.85	7.38	1.87	7.54	1.88	7.87	1.92	8.21	1.95		
						31	6.45	1.83	6.77	1.86	7.09	1.90	7.25	1.91	7.41	1.93	7.74	1.96	8.08	1.99		
						33	6.32	1.88	6.64	1.91	6.96	1.94	7.12	1.96	7.28	1.97	7.61	2.01	7.95	2.04		
						35	6.19	1.92	6.50	1.96	6.82	1.99	7.00	2.00	7.15	2.02	7.48	2.05	7.82	2.09		
						37	6.05	1.97	6.37	2.00	6.69	2.03	6.86	2.05	7.02	2.07	7.35	2.10	7.69	2.13		
						39	5.92	2.02	6.24	2.05	6.56	2.08	6.73	2.10	6.89	2.12	7.22	2.15	7.56	2.18		
42	5.73	2.09	6.04	2.12	6.37	2.15	6.53	2.17	6.70	2.19	7.03	2.22	7.37	2.25								
44	5.59	2.14	5.91	2.17	6.24	2.20	6.40	2.22	6.57	2.24	6.90	2.27	7.24	2.30								
46	5.46	2.19	5.78	2.22	6.11	2.25	6.27	2.27	6.44	2.29	6.77	2.32	7.11	2.35								

# 12. Capacity Table

## 12-5. AJ070MCJ4EH/EU

### COOLING

Combination (Capacity Index)			Combination (Total)	Combination (%)	Outdoor Temperature (°C, DB)	Indoor Temperature (°C, WB)													
						14		16		18		19		20		22		24	
						TC(kW)	PI(kW)	TC(kW)	PI(kW)	TC(kW)	PI(kW)	TC(kW)	PI(kW)	TC(kW)	PI(kW)	TC(kW)	PI(kW)	TC(kW)	PI(kW)
2000	2000	2000	6000	86%	10	5.30	1.26	7.48	1.30	7.62	1.33	7.71	1.34	7.80	1.36	8.02	1.39	8.28	1.41
					12	5.30	1.30	7.28	1.33	7.43	1.36	7.52	1.37	7.62	1.39	7.85	1.42	8.11	1.44
					14	5.30	1.33	7.08	1.36	7.24	1.39	7.34	1.41	7.44	1.42	7.68	1.45	7.96	1.48
					16	5.30	1.36	6.89	1.39	7.07	1.42	7.17	1.44	7.28	1.45	7.53	1.48	7.81	1.51
					18	5.30	1.40	6.72	1.43	6.90	1.46	7.00	1.47	7.12	1.49	7.38	1.52	7.68	1.54
					20	5.30	1.43	6.55	1.46	6.74	1.49	6.85	1.51	6.97	1.52	7.24	1.55	7.55	1.58
					21	5.30	1.45	6.46	1.48	6.66	1.51	6.78	1.53	6.90	1.54	7.17	1.57	7.49	1.60
					23	5.30	1.49	6.31	1.52	6.51	1.55	6.63	1.56	6.76	1.58	7.05	1.61	7.37	1.63
					25	5.30	1.53	6.16	1.56	6.38	1.59	6.50	1.60	6.63	1.62	6.93	1.64	7.26	1.67
					27	5.30	1.56	6.02	1.60	6.25	1.63	6.37	1.64	6.51	1.65	6.82	1.68	7.16	1.71
					29	5.30	1.60	5.88	1.64	6.12	1.67	6.26	1.68	6.40	1.69	6.72	1.72	7.07	1.75
					31	5.30	1.65	5.76	1.68	6.01	1.71	6.15	1.72	6.30	1.73	6.62	1.76	6.99	1.79
					33	5.30	1.69	5.64	1.72	5.90	1.75	6.05	1.76	6.20	1.78	6.54	1.80	6.92	1.83
					35	5.30	1.73	5.54	1.76	5.81	1.79	6.00	1.80	6.12	1.82	6.46	1.85	6.85	1.87
					37	5.30	1.77	5.44	1.80	5.72	1.83	5.87	1.85	6.04	1.86	6.39	1.89	6.79	1.91
					39	5.30	1.82	5.34	1.85	5.64	1.88	5.80	1.89	5.97	1.91	6.34	1.93	6.74	1.96
42	5.30	1.89	5.22	1.92	5.53	1.95	5.70	1.96	5.88	1.97	6.26	2.00	6.68	2.03					
44	5.30	1.93	5.15	1.96	5.47	1.99	5.64	2.01	5.83	2.02	6.22	2.05	6.65	2.07					
46	5.30	1.98	5.09	2.01	5.42	2.04	5.60	2.05	5.79	2.07	6.19	2.10	6.63	2.12					
2000	2000	2500	6500	93%	10	5.83	1.29	8.23	1.32	8.38	1.35	8.48	1.36	8.58	1.38	8.82	1.41	9.10	1.44
					12	5.83	1.32	8.00	1.35	8.17	1.38	8.27	1.40	8.38	1.41	8.63	1.44	8.93	1.47
					14	5.83	1.35	7.79	1.38	7.97	1.41	8.07	1.43	8.19	1.44	8.45	1.47	8.76	1.50
					16	5.83	1.39	7.58	1.42	7.77	1.45	7.88	1.46	8.01	1.48	8.28	1.51	8.60	1.54
					18	5.83	1.42	7.39	1.45	7.59	1.48	7.70	1.50	7.83	1.51	8.12	1.54	8.45	1.57
					20	5.83	1.46	7.20	1.49	7.41	1.52	7.53	1.53	7.67	1.55	7.96	1.58	8.30	1.61
					21	5.83	1.48	7.11	1.51	7.33	1.54	7.45	1.55	7.59	1.57	7.89	1.60	8.24	1.62
					23	5.83	1.51	6.94	1.54	7.17	1.58	7.30	1.59	7.44	1.60	7.75	1.63	8.11	1.66
					25	5.83	1.55	6.77	1.58	7.01	1.61	7.15	1.63	7.30	1.64	7.62	1.67	7.99	1.70
					27	5.83	1.59	6.62	1.62	6.87	1.65	7.01	1.67	7.16	1.68	7.50	1.71	7.88	1.74
					29	5.83	1.63	6.47	1.66	6.74	1.69	6.88	1.71	7.04	1.72	7.39	1.75	7.78	1.78
					31	5.83	1.67	6.33	1.70	6.61	1.73	6.76	1.75	6.93	1.76	7.29	1.79	7.69	1.82
					33	5.83	1.72	6.21	1.75	6.49	1.78	6.65	1.79	6.82	1.81	7.19	1.83	7.61	1.86
					35	5.83	1.76	6.09	1.79	6.39	1.82	6.60	1.83	6.73	1.85	7.11	1.88	7.53	1.90
					37	5.83	1.80	5.98	1.83	6.29	1.86	6.46	1.88	6.64	1.89	7.03	1.92	7.47	1.95
					39	5.83	1.85	5.88	1.88	6.20	1.91	6.38	1.92	6.56	1.94	6.97	1.97	7.42	1.99
42	5.83	1.92	5.75	1.95	6.08	1.98	6.27	1.99	6.46	2.01	6.89	2.03	7.35	2.06					
44	5.83	1.97	5.67	2.00	6.02	2.03	6.21	2.04	6.41	2.05	6.84	2.08	7.32	2.11					
46	5.83	2.02	5.60	2.05	5.96	2.08	6.16	2.09	6.37	2.10	6.81	2.13	7.30	2.16					

# 12. Capacity Table

## 12-5. AJ070MCJ4EH/EU

### COOLING

Combination (Capacity Index)				Combination (Total)	Combination (%)	Outdoor Temperature (°C, DB)	Indoor Temperature (°C, WB)															
							14		16		18		19		20		22		24			
							TC(kW)	PI(kW)	TC(kW)	PI(kW)	TC(kW)	PI(kW)	TC(kW)	PI(kW)	TC(kW)	PI(kW)	TC(kW)	PI(kW)	TC(kW)	PI(kW)		
2000	2000	3500		7500	107%	10	5.90	1.29	8.33	1.32	8.49	1.35	8.58	1.37	8.69	1.38	8.93	1.41	9.21	1.44		
						12	5.90	1.32	8.10	1.35	8.27	1.39	8.37	1.40	8.48	1.42	8.74	1.44	9.03	1.47		
						14	5.90	1.35	7.88	1.39	8.06	1.42	8.17	1.43	8.29	1.45	8.55	1.48	8.86	1.51		
						16	5.90	1.39	7.68	1.42	7.87	1.45	7.98	1.47	8.10	1.48	8.38	1.51	8.70	1.54		
						18	5.90	1.42	7.48	1.46	7.68	1.49	7.80	1.50	7.93	1.52	8.22	1.55	8.55	1.57		
						20	5.90	1.46	7.29	1.49	7.50	1.52	7.63	1.54	7.76	1.55	8.06	1.58	8.40	1.61		
						21	5.90	1.48	7.20	1.51	7.42	1.54	7.54	1.56	7.68	1.57	7.99	1.60	8.34	1.63		
						23	5.90	1.52	7.02	1.55	7.25	1.58	7.39	1.59	7.53	1.61	7.85	1.64	8.21	1.67		
						25	5.90	1.56	6.85	1.59	7.10	1.62	7.24	1.63	7.39	1.65	7.71	1.68	8.09	1.70		
						27	5.90	1.60	6.70	1.63	6.95	1.66	7.10	1.67	7.25	1.69	7.59	1.72	7.98	1.74		
						29	5.90	1.64	6.55	1.67	6.82	1.70	6.97	1.71	7.13	1.73	7.48	1.76	7.87	1.78		
						31	5.90	1.68	6.41	1.71	6.69	1.74	6.85	1.75	7.01	1.77	7.38	1.80	7.78	1.82		
						33	5.90	1.72	6.28	1.75	6.57	1.78	6.73	1.80	6.91	1.81	7.28	1.84	7.70	1.87		
						35	5.90	1.76	6.16	1.79	6.46	1.82	6.68	1.84	6.81	1.85	7.20	1.88	7.63	1.91		
						37	5.90	1.81	6.05	1.84	6.37	1.87	6.54	1.88	6.72	1.90	7.12	1.93	7.56	1.95		
						39	5.90	1.85	5.95	1.88	6.28	1.91	6.45	1.93	6.64	1.94	7.05	1.97	7.51	2.00		
42	5.90	1.92	5.82	1.95	6.16	1.98	6.35	2.00	6.54	2.01	6.97	2.04	7.44	2.07								
44	5.90	1.97	5.74	2.00	6.09	2.03	6.28	2.05	6.49	2.06	6.93	2.09	7.41	2.11								
46	5.90	2.02	5.67	2.05	6.03	2.08	6.23	2.09	6.44	2.11	6.89	2.14	7.39	2.16								
2000	2000	5000		9000	129%	10	7.87	1.30	8.18	1.33	8.49	1.35	8.65	1.37	8.81	1.38	9.14	1.41	9.46	1.44		
						12	7.73	1.33	8.04	1.36	8.36	1.39	8.52	1.40	8.68	1.42	9.00	1.44	9.33	1.47		
						14	7.60	1.37	7.91	1.40	8.22	1.42	8.38	1.44	8.54	1.45	8.87	1.48	9.20	1.51		
						16	7.46	1.40	7.77	1.43	8.09	1.46	8.25	1.47	8.41	1.49	8.73	1.52	9.06	1.55		
						18	7.33	1.44	7.64	1.47	7.95	1.50	8.11	1.51	8.27	1.53	8.60	1.55	8.93	1.58		
						20	7.19	1.48	7.50	1.51	7.82	1.54	7.98	1.55	8.14	1.56	8.47	1.59	8.80	1.62		
						21	7.12	1.50	7.44	1.53	7.75	1.55	7.91	1.57	8.07	1.58	8.40	1.61	8.73	1.64		
						23	6.99	1.54	7.30	1.56	7.62	1.59	7.78	1.61	7.94	1.62	8.27	1.65	8.60	1.68		
						25	6.85	1.57	7.17	1.60	7.49	1.63	7.65	1.65	7.81	1.66	8.14	1.69	8.47	1.72		
						27	6.72	1.61	7.03	1.64	7.35	1.67	7.51	1.69	7.68	1.70	8.00	1.73	8.34	1.76		
						29	6.59	1.65	6.90	1.68	7.22	1.71	7.38	1.73	7.54	1.74	7.87	1.77	8.21	1.80		
						31	6.45	1.70	6.77	1.72	7.09	1.75	7.25	1.77	7.41	1.78	7.74	1.81	8.08	1.84		
						33	6.32	1.74	6.64	1.77	6.96	1.80	7.12	1.81	7.28	1.83	7.61	1.86	7.95	1.89		
						35	6.19	1.78	6.50	1.81	6.82	1.84	7.00	1.85	7.15	1.87	7.48	1.90	7.82	1.93		
						37	6.05	1.82	6.37	1.85	6.69	1.88	6.86	1.90	7.02	1.91	7.35	1.94	7.69	1.97		
						39	5.92	1.87	6.24	1.90	6.56	1.93	6.73	1.94	6.89	1.96	7.22	1.99	7.56	2.02		
42	5.73	1.93	6.04	1.96	6.37	1.99	6.53	2.01	6.70	2.02	7.03	2.05	7.37	2.08								
44	5.59	1.98	5.91	2.01	6.24	2.04	6.40	2.05	6.57	2.07	6.90	2.10	7.24	2.13								
46	5.46	2.02	5.78	2.05	6.11	2.08	6.27	2.10	6.44	2.12	6.77	2.15	7.11	2.18								

# 12. Capacity Table

## 12-5. AJ070MCJ4EH/EU

### COOLING

Combination (Capacity Index)			Combination (Total)	Combination (%)	Outdoor Temperature (°C, DB)	Indoor Temperature (°C, WB)													
						14		16		18		19		20		22		24	
						TC(kW)	PI(kW)	TC(kW)	PI(kW)	TC(kW)	PI(kW)	TC(kW)	PI(kW)	TC(kW)	PI(kW)	TC(kW)	PI(kW)	TC(kW)	PI(kW)
2000	2500	2500	7000	100%	10	5.88	1.29	8.29	1.32	8.45	1.35	8.54	1.36	8.65	1.38	8.89	1.41	9.17	1.44
					12	5.88	1.32	8.06	1.35	8.23	1.38	8.33	1.40	8.44	1.41	8.70	1.44	8.99	1.47
					14	5.88	1.35	7.85	1.38	8.03	1.41	8.13	1.43	8.25	1.44	8.52	1.47	8.82	1.50
					16	5.88	1.39	7.64	1.42	7.83	1.45	7.94	1.46	8.07	1.48	8.34	1.51	8.66	1.54
					18	5.88	1.42	7.44	1.45	7.65	1.48	7.76	1.50	7.89	1.51	8.18	1.54	8.51	1.57
					20	5.88	1.46	7.25	1.49	7.47	1.52	7.59	1.53	7.73	1.55	8.02	1.58	8.37	1.61
					21	5.88	1.48	7.16	1.51	7.38	1.54	7.51	1.55	7.65	1.57	7.95	1.60	8.30	1.62
					23	5.88	1.51	6.99	1.54	7.22	1.58	7.35	1.59	7.49	1.60	7.81	1.63	8.17	1.66
					25	5.88	1.55	6.82	1.58	7.07	1.61	7.20	1.63	7.35	1.64	7.68	1.67	8.05	1.70
					27	5.88	1.59	6.67	1.62	6.92	1.65	7.06	1.67	7.22	1.68	7.56	1.71	7.94	1.74
					29	5.88	1.63	6.52	1.66	6.79	1.69	6.94	1.71	7.09	1.72	7.45	1.75	7.84	1.78
					31	5.88	1.67	6.38	1.70	6.66	1.73	6.81	1.75	6.98	1.76	7.34	1.79	7.75	1.82
					33	5.88	1.72	6.25	1.75	6.54	1.78	6.70	1.79	6.87	1.81	7.25	1.83	7.66	1.86
					35	5.88	1.76	6.13	1.79	6.44	1.82	6.65	1.83	6.78	1.85	7.16	1.88	7.59	1.90
					37	5.88	1.80	6.02	1.83	6.34	1.86	6.51	1.88	6.69	1.89	7.09	1.92	7.53	1.95
					39	5.88	1.85	5.92	1.88	6.25	1.91	6.42	1.92	6.61	1.94	7.02	1.97	7.47	1.99
42	5.88	1.92	5.79	1.95	6.13	1.98	6.32	1.99	6.51	2.01	6.94	2.03	7.41	2.06					
44	5.88	1.97	5.71	2.00	6.06	2.03	6.26	2.04	6.46	2.05	6.90	2.08	7.38	2.11					
46	5.88	2.02	5.64	2.05	6.01	2.08	6.21	2.09	6.41	2.10	6.86	2.13	7.35	2.16					
2000	2500	3500	8000	114%	10	7.58	1.29	7.88	1.32	8.18	1.35	8.33	1.36	8.48	1.37	8.80	1.40	9.11	1.43
					12	7.45	1.33	7.75	1.35	8.05	1.38	8.20	1.39	8.35	1.41	8.67	1.44	8.98	1.46
					14	7.32	1.36	7.61	1.39	7.92	1.42	8.07	1.43	8.23	1.44	8.54	1.47	8.85	1.50
					16	7.18	1.40	7.48	1.42	7.79	1.45	7.94	1.47	8.10	1.48	8.41	1.51	8.73	1.54
					18	7.05	1.43	7.35	1.46	7.66	1.49	7.81	1.50	7.97	1.52	8.28	1.55	8.60	1.57
					20	6.92	1.47	7.22	1.50	7.53	1.53	7.68	1.54	7.84	1.56	8.15	1.58	8.47	1.61
					21	6.86	1.49	7.16	1.52	7.46	1.55	7.62	1.56	7.77	1.57	8.09	1.60	8.41	1.63
					23	6.73	1.53	7.03	1.56	7.34	1.58	7.49	1.60	7.65	1.61	7.96	1.64	8.28	1.67
					25	6.60	1.57	6.90	1.59	7.21	1.62	7.36	1.64	7.52	1.65	7.83	1.68	8.15	1.71
					27	6.47	1.61	6.77	1.63	7.08	1.66	7.24	1.68	7.39	1.69	7.71	1.72	8.03	1.75
					29	6.34	1.65	6.64	1.67	6.95	1.70	7.11	1.72	7.26	1.73	7.58	1.76	7.90	1.79
					31	6.21	1.69	6.52	1.72	6.83	1.75	6.98	1.76	7.14	1.77	7.45	1.80	7.78	1.83
					33	6.09	1.73	6.39	1.76	6.70	1.79	6.85	1.80	7.01	1.82	7.33	1.85	7.65	1.88
					35	5.96	1.77	6.26	1.80	6.57	1.83	6.74	1.84	6.89	1.86	7.20	1.89	7.53	1.92
					37	5.83	1.81	6.14	1.84	6.45	1.87	6.60	1.89	6.76	1.90	7.08	1.93	7.40	1.96
					39	5.70	1.86	6.01	1.89	6.32	1.92	6.48	1.93	6.63	1.95	6.95	1.98	7.28	2.01
42	5.51	1.92	5.82	1.95	6.13	1.98	6.29	2.00	6.45	2.01	6.77	2.04	7.09	2.07					
44	5.39	1.97	5.69	2.00	6.01	2.03	6.16	2.04	6.32	2.06	6.64	2.09	6.97	2.12					
46	5.26	2.01	5.57	2.04	5.88	2.07	6.04	2.09	6.20	2.10	6.52	2.14	6.85	2.17					



# 12. Capacity Table

## 12-5. AJ070MCJ4EH/EU

### COOLING

Combination (Capacity Index)				Combination (Total)	Combination (%)	Outdoor Temperature (°C, DB)	Indoor Temperature (°C, WB)															
							14		16		18		19		20		22		24			
							TC(kW)	PI(kW)	TC(kW)	PI(kW)	TC(kW)	PI(kW)	TC(kW)	PI(kW)	TC(kW)	PI(kW)	TC(kW)	PI(kW)	TC(kW)	PI(kW)		
2000	2500	5000	9500	136%	10	7.87	1.32	8.18	1.35	8.49	1.38	8.65	1.39	8.81	1.40	9.14	1.43	9.46	1.46			
					12	7.73	1.35	8.04	1.38	8.36	1.41	8.52	1.43	8.68	1.44	9.00	1.47	9.33	1.50			
					14	7.60	1.39	7.91	1.42	8.22	1.45	8.38	1.46	8.54	1.48	8.87	1.50	9.20	1.53			
					16	7.46	1.43	7.77	1.46	8.09	1.48	8.25	1.50	8.41	1.51	8.73	1.54	9.06	1.57			
					18	7.33	1.46	7.64	1.49	7.95	1.52	8.11	1.54	8.27	1.55	8.60	1.58	8.93	1.61			
					20	7.19	1.50	7.50	1.53	7.82	1.56	7.98	1.57	8.14	1.59	8.47	1.62	8.80	1.65			
					21	7.12	1.52	7.44	1.55	7.75	1.58	7.91	1.59	8.07	1.61	8.40	1.64	8.73	1.67			
					23	6.99	1.56	7.30	1.59	7.62	1.62	7.78	1.63	7.94	1.65	8.27	1.68	8.60	1.71			
					25	6.85	1.60	7.17	1.63	7.49	1.66	7.65	1.67	7.81	1.69	8.14	1.72	8.47	1.75			
					27	6.72	1.64	7.03	1.67	7.35	1.70	7.51	1.71	7.68	1.73	8.00	1.76	8.34	1.79			
					29	6.59	1.68	6.90	1.71	7.22	1.74	7.38	1.76	7.54	1.77	7.87	1.80	8.21	1.83			
					31	6.45	1.72	6.77	1.75	7.09	1.78	7.25	1.80	7.41	1.81	7.74	1.84	8.08	1.87			
					33	6.32	1.76	6.64	1.80	6.96	1.83	7.12	1.84	7.28	1.86	7.61	1.89	7.95	1.92			
					35	6.19	1.81	6.50	1.84	6.82	1.87	7.00	1.88	7.15	1.90	7.48	1.93	7.82	1.96			
					37	6.05	1.85	6.37	1.88	6.69	1.91	6.86	1.93	7.02	1.94	7.35	1.97	7.69	2.00			
					39	5.92	1.90	6.24	1.93	6.56	1.96	6.73	1.97	6.89	1.99	7.22	2.02	7.56	2.05			
42	5.73	1.96	6.04	1.99	6.37	2.03	6.53	2.04	6.70	2.06	7.03	2.09	7.37	2.12								
44	5.59	2.01	5.91	2.04	6.24	2.07	6.40	2.09	6.57	2.10	6.90	2.13	7.24	2.17								
46	5.46	2.06	5.78	2.09	6.11	2.12	6.27	2.13	6.44	2.15	6.77	2.18	7.11	2.21								
2000	3500	3500	9000	129%	10	7.67	1.30	7.97	1.33	8.28	1.35	8.43	1.37	8.59	1.38	8.90	1.41	9.22	1.44			
					12	7.54	1.33	7.84	1.36	8.14	1.39	8.30	1.40	8.45	1.42	8.77	1.44	9.09	1.47			
					14	7.40	1.37	7.70	1.40	8.01	1.42	8.17	1.44	8.32	1.45	8.64	1.48	8.96	1.51			
					16	7.27	1.40	7.57	1.43	7.88	1.46	8.04	1.47	8.19	1.49	8.51	1.52	8.83	1.55			
					18	7.14	1.44	7.44	1.47	7.75	1.50	7.91	1.51	8.06	1.53	8.38	1.55	8.70	1.58			
					20	7.01	1.48	7.31	1.51	7.62	1.54	7.77	1.55	7.93	1.56	8.25	1.59	8.57	1.62			
					21	6.94	1.50	7.24	1.53	7.55	1.55	7.71	1.57	7.87	1.58	8.18	1.61	8.51	1.64			
					23	6.81	1.54	7.11	1.56	7.42	1.59	7.58	1.61	7.74	1.62	8.06	1.65	8.38	1.68			
					25	6.68	1.57	6.98	1.60	7.29	1.63	7.45	1.65	7.61	1.66	7.93	1.69	8.25	1.72			
					27	6.55	1.61	6.85	1.64	7.16	1.67	7.32	1.69	7.48	1.70	7.80	1.73	8.12	1.76			
					29	6.42	1.65	6.72	1.68	7.03	1.71	7.19	1.73	7.35	1.74	7.67	1.77	8.00	1.80			
					31	6.29	1.70	6.59	1.72	6.91	1.75	7.06	1.77	7.22	1.78	7.54	1.81	7.87	1.84			
					33	6.16	1.74	6.47	1.77	6.78	1.80	6.94	1.81	7.09	1.83	7.42	1.86	7.74	1.89			
					35	6.03	1.78	6.34	1.81	6.65	1.84	6.82	1.85	6.97	1.87	7.29	1.90	7.62	1.93			
					37	5.90	1.82	6.21	1.85	6.52	1.88	6.68	1.90	6.84	1.91	7.16	1.94	7.49	1.97			
					39	5.77	1.87	6.08	1.90	6.39	1.93	6.55	1.94	6.71	1.96	7.04	1.99	7.36	2.02			
42	5.58	1.93	5.89	1.96	6.20	1.99	6.36	2.01	6.52	2.02	6.85	2.05	7.18	2.08								
44	5.45	1.98	5.76	2.01	6.08	2.04	6.24	2.05	6.40	2.07	6.72	2.10	7.05	2.13								
46	5.32	2.02	5.63	2.05	5.95	2.08	6.11	2.10	6.27	2.12	6.60	2.15	6.93	2.18								

# 12. Capacity Table

## 12-5. AJ070MCJ4EH/EU

### COOLING

Combination (Capacity Index)			Combination (Total)	Combination (%)	Outdoor Temperature (°C, DB)	Indoor Temperature (°C, WB)													
						14		16		18		19		20		22		24	
						TC(kW)	PI(kW)	TC(kW)	PI(kW)	TC(kW)	PI(kW)	TC(kW)	PI(kW)	TC(kW)	PI(kW)	TC(kW)	PI(kW)	TC(kW)	PI(kW)
2000	3500	5000	10500	150%	10	7.87	1.35	8.18	1.38	8.49	1.41	8.65	1.43	8.81	1.44	9.14	1.47	9.46	1.50
					12	7.73	1.39	8.04	1.42	8.36	1.45	8.52	1.46	8.68	1.48	9.00	1.51	9.33	1.54
					14	7.60	1.43	7.91	1.46	8.22	1.49	8.38	1.50	8.54	1.52	8.87	1.54	9.20	1.57
					16	7.46	1.46	7.77	1.49	8.09	1.52	8.25	1.54	8.41	1.55	8.73	1.58	9.06	1.61
					18	7.33	1.50	7.64	1.53	7.95	1.56	8.11	1.58	8.27	1.59	8.60	1.62	8.93	1.65
					20	7.19	1.54	7.50	1.57	7.82	1.60	7.98	1.62	8.14	1.63	8.47	1.66	8.80	1.69
					21	7.12	1.56	7.44	1.59	7.75	1.62	7.91	1.64	8.07	1.65	8.40	1.68	8.73	1.71
					23	6.99	1.60	7.30	1.63	7.62	1.66	7.78	1.68	7.94	1.69	8.27	1.72	8.60	1.75
					25	6.85	1.64	7.17	1.67	7.49	1.70	7.65	1.72	7.81	1.73	8.14	1.76	8.47	1.79
					27	6.72	1.68	7.03	1.71	7.35	1.74	7.51	1.76	7.68	1.78	8.00	1.81	8.34	1.84
					29	6.59	1.73	6.90	1.76	7.22	1.79	7.38	1.80	7.54	1.82	7.87	1.85	8.21	1.88
					31	6.45	1.77	6.77	1.80	7.09	1.83	7.25	1.85	7.41	1.86	7.74	1.89	8.08	1.92
					33	6.32	1.81	6.64	1.84	6.96	1.87	7.12	1.89	7.28	1.91	7.61	1.94	7.95	1.97
					35	6.19	1.86	6.50	1.89	6.82	1.92	7.00	1.93	7.15	1.95	7.48	1.98	7.82	2.01
					37	6.05	1.90	6.37	1.93	6.69	1.96	6.86	1.98	7.02	2.00	7.35	2.03	7.69	2.06
					39	5.92	1.95	6.24	1.98	6.56	2.01	6.73	2.03	6.89	2.04	7.22	2.07	7.56	2.10
42	5.73	2.02	6.04	2.05	6.37	2.08	6.53	2.10	6.70	2.11	7.03	2.14	7.37	2.18					
44	5.59	2.06	5.91	2.09	6.24	2.13	6.40	2.14	6.57	2.16	6.90	2.19	7.24	2.22					
46	5.46	2.11	5.78	2.14	6.11	2.17	6.27	2.19	6.44	2.21	6.77	2.24	7.11	2.27					
2500	2500	2500	7500	107%	10	7.56	1.29	7.85	1.32	8.15	1.35	8.31	1.36	8.46	1.37	8.77	1.40	9.08	1.43
					12	7.42	1.33	7.72	1.35	8.02	1.38	8.18	1.39	8.33	1.41	8.64	1.44	8.96	1.46
					14	7.29	1.36	7.59	1.39	7.89	1.42	8.05	1.43	8.20	1.44	8.51	1.47	8.83	1.50
					16	7.16	1.40	7.46	1.42	7.76	1.45	7.92	1.47	8.07	1.48	8.38	1.51	8.70	1.54
					18	7.03	1.43	7.33	1.46	7.64	1.49	7.79	1.50	7.94	1.52	8.26	1.55	8.57	1.57
					20	6.90	1.47	7.20	1.50	7.51	1.53	7.66	1.54	7.82	1.56	8.13	1.58	8.45	1.61
					21	6.84	1.49	7.14	1.52	7.44	1.55	7.60	1.56	7.75	1.57	8.06	1.60	8.38	1.63
					23	6.71	1.53	7.01	1.56	7.31	1.58	7.47	1.60	7.62	1.61	7.94	1.64	8.26	1.67
					25	6.58	1.57	6.88	1.59	7.19	1.62	7.34	1.64	7.50	1.65	7.81	1.68	8.13	1.71
					27	6.45	1.61	6.75	1.63	7.06	1.66	7.21	1.68	7.37	1.69	7.68	1.72	8.00	1.75
					29	6.32	1.65	6.63	1.67	6.93	1.70	7.09	1.72	7.24	1.73	7.56	1.76	7.88	1.79
					31	6.19	1.69	6.50	1.72	6.80	1.75	6.96	1.76	7.12	1.77	7.43	1.80	7.75	1.83
					33	6.07	1.73	6.37	1.76	6.68	1.79	6.83	1.80	6.99	1.82	7.31	1.85	7.63	1.88
					35	5.94	1.77	6.24	1.80	6.55	1.83	6.72	1.84	6.86	1.86	7.18	1.89	7.50	1.92
					37	5.81	1.81	6.12	1.84	6.43	1.87	6.58	1.89	6.74	1.90	7.06	1.93	7.38	1.96
					39	5.69	1.86	5.99	1.89	6.30	1.92	6.46	1.93	6.61	1.95	6.93	1.98	7.26	2.01
42	5.50	1.92	5.80	1.95	6.11	1.98	6.27	2.00	6.43	2.01	6.75	2.04	7.07	2.07					
44	5.37	1.97	5.68	2.00	5.99	2.03	6.15	2.04	6.30	2.06	6.62	2.09	6.95	2.12					
46	5.24	2.01	5.55	2.04	5.86	2.07	6.02	2.09	6.18	2.10	6.50	2.14	6.82	2.17					

# 12. Capacity Table

## 12-5. AJ070MCJ4EH/EU

### COOLING

Combination (Capacity Index)				Combination (Total)	Combination (%)	Outdoor Temperature (°C, DB)	Indoor Temperature (°C, WB)															
							14		16		18		19		20		22		24			
							TC(kW)	PI(kW)	TC(kW)	PI(kW)	TC(kW)	PI(kW)	TC(kW)	PI(kW)	TC(kW)	PI(kW)	TC(kW)	PI(kW)	TC(kW)	PI(kW)		
2500	2500	3500		8500	121%	10	7.63	1.30	7.93	1.33	8.24	1.35	8.39	1.37	8.55	1.38	8.86	1.41	9.18	1.44		
						12	7.50	1.33	7.80	1.36	8.11	1.39	8.26	1.40	8.42	1.42	8.73	1.44	9.05	1.47		
						14	7.37	1.37	7.67	1.40	7.98	1.42	8.13	1.44	8.29	1.45	8.60	1.48	8.92	1.51		
						16	7.24	1.40	7.54	1.43	7.85	1.46	8.00	1.47	8.16	1.49	8.47	1.52	8.79	1.55		
						18	7.11	1.44	7.41	1.47	7.72	1.50	7.87	1.51	8.03	1.53	8.34	1.55	8.66	1.58		
						20	6.98	1.48	7.28	1.51	7.59	1.54	7.74	1.55	7.90	1.56	8.21	1.59	8.53	1.62		
						21	6.91	1.50	7.21	1.53	7.52	1.55	7.68	1.57	7.83	1.58	8.15	1.61	8.47	1.64		
						23	6.78	1.54	7.08	1.56	7.39	1.59	7.55	1.61	7.70	1.62	8.02	1.65	8.34	1.68		
						25	6.65	1.57	6.95	1.60	7.26	1.63	7.42	1.65	7.57	1.66	7.89	1.69	8.21	1.72		
						27	6.52	1.61	6.82	1.64	7.13	1.67	7.29	1.69	7.45	1.70	7.76	1.73	8.09	1.76		
						29	6.39	1.65	6.69	1.68	7.00	1.71	7.16	1.73	7.32	1.74	7.64	1.77	7.96	1.80		
						31	6.26	1.70	6.57	1.72	6.88	1.75	7.03	1.77	7.19	1.78	7.51	1.81	7.83	1.84		
						33	6.13	1.74	6.44	1.77	6.75	1.80	6.91	1.81	7.06	1.83	7.38	1.86	7.71	1.89		
						35	6.00	1.78	6.31	1.81	6.62	1.84	6.79	1.85	6.94	1.87	7.26	1.90	7.58	1.93		
						37	5.87	1.82	6.18	1.85	6.49	1.88	6.65	1.90	6.81	1.91	7.13	1.94	7.46	1.97		
						39	5.75	1.87	6.05	1.90	6.37	1.93	6.52	1.94	6.68	1.96	7.01	1.99	7.33	2.02		
42	5.55	1.93	5.86	1.96	6.18	1.99	6.33	2.01	6.49	2.02	6.82	2.05	7.14	2.08								
44	5.43	1.98	5.74	2.01	6.05	2.04	6.21	2.05	6.37	2.07	6.69	2.10	7.02	2.13								
46	5.30	2.02	5.61	2.05	5.92	2.08	6.08	2.10	6.24	2.12	6.57	2.15	6.90	2.18								
2500	2500	5000		10000	143%	10	7.87	1.32	8.18	1.35	8.49	1.38	8.65	1.39	8.81	1.40	9.14	1.43	9.46	1.46		
						12	7.73	1.35	8.04	1.38	8.36	1.41	8.52	1.43	8.68	1.44	9.00	1.47	9.33	1.50		
						14	7.60	1.39	7.91	1.42	8.22	1.45	8.38	1.46	8.54	1.48	8.87	1.50	9.20	1.53		
						16	7.46	1.43	7.77	1.46	8.09	1.48	8.25	1.50	8.41	1.51	8.73	1.54	9.06	1.57		
						18	7.33	1.46	7.64	1.49	7.95	1.52	8.11	1.54	8.27	1.55	8.60	1.58	8.93	1.61		
						20	7.19	1.50	7.50	1.53	7.82	1.56	7.98	1.57	8.14	1.59	8.47	1.62	8.80	1.65		
						21	7.12	1.52	7.44	1.55	7.75	1.58	7.91	1.59	8.07	1.61	8.40	1.64	8.73	1.67		
						23	6.99	1.56	7.30	1.59	7.62	1.62	7.78	1.63	7.94	1.65	8.27	1.68	8.60	1.71		
						25	6.85	1.60	7.17	1.63	7.49	1.66	7.65	1.67	7.81	1.69	8.14	1.72	8.47	1.75		
						27	6.72	1.64	7.03	1.67	7.35	1.70	7.51	1.71	7.68	1.73	8.00	1.76	8.34	1.79		
						29	6.59	1.68	6.90	1.71	7.22	1.74	7.38	1.76	7.54	1.77	7.87	1.80	8.21	1.83		
						31	6.45	1.72	6.77	1.75	7.09	1.78	7.25	1.80	7.41	1.81	7.74	1.84	8.08	1.87		
						33	6.32	1.76	6.64	1.80	6.96	1.83	7.12	1.84	7.28	1.86	7.61	1.89	7.95	1.92		
						35	6.19	1.81	6.50	1.84	6.82	1.87	7.00	1.88	7.15	1.90	7.48	1.93	7.82	1.96		
						37	6.05	1.85	6.37	1.88	6.69	1.91	6.86	1.93	7.02	1.94	7.35	1.97	7.69	2.00		
						39	5.92	1.90	6.24	1.93	6.56	1.96	6.73	1.97	6.89	1.99	7.22	2.02	7.56	2.05		
42	5.73	1.96	6.04	1.99	6.37	2.03	6.53	2.04	6.70	2.06	7.03	2.09	7.37	2.12								
44	5.59	2.01	5.91	2.04	6.24	2.07	6.40	2.09	6.57	2.10	6.90	2.13	7.24	2.17								
46	5.46	2.06	5.78	2.09	6.11	2.12	6.27	2.13	6.44	2.15	6.77	2.18	7.11	2.21								

# 12. Capacity Table

## 12-5. AJ070MCJ4EH/EU

### COOLING

Combination (Capacity Index)			Combination (Total)	Combination (%)	Outdoor Temperature (°C, DB)	Indoor Temperature (°C, WB)													
						14		16		18		19		20		22		24	
						TC(kW)	PI(kW)	TC(kW)	PI(kW)	TC(kW)	PI(kW)	TC(kW)	PI(kW)	TC(kW)	PI(kW)	TC(kW)	PI(kW)	TC(kW)	PI(kW)
2500	3500	3500	9500	136%	10	787	1.32	8.18	1.35	8.49	1.38	8.65	1.39	8.81	1.40	9.14	1.43	9.46	1.46
					12	773	1.35	8.04	1.38	8.36	1.41	8.52	1.43	8.68	1.44	9.00	1.47	9.33	1.50
					14	760	1.39	7.91	1.42	8.22	1.45	8.38	1.46	8.54	1.48	8.87	1.50	9.20	1.53
					16	746	1.43	7.77	1.46	8.09	1.48	8.25	1.50	8.41	1.51	8.73	1.54	9.06	1.57
					18	733	1.46	7.64	1.49	7.95	1.52	8.11	1.54	8.27	1.55	8.60	1.58	8.93	1.61
					20	719	1.50	7.50	1.53	7.82	1.56	7.98	1.57	8.14	1.59	8.47	1.62	8.80	1.65
					21	712	1.52	7.44	1.55	7.75	1.58	7.91	1.59	8.07	1.61	8.40	1.64	8.73	1.67
					23	6.99	1.56	7.30	1.59	7.62	1.62	7.78	1.63	7.94	1.65	8.27	1.68	8.60	1.71
					25	6.85	1.60	7.17	1.63	7.49	1.66	7.65	1.67	7.81	1.69	8.14	1.72	8.47	1.75
					27	6.72	1.64	7.03	1.67	7.35	1.70	7.51	1.71	7.68	1.73	8.00	1.76	8.34	1.79
					29	6.59	1.68	6.90	1.71	7.22	1.74	7.38	1.76	7.54	1.77	7.87	1.80	8.21	1.83
					31	6.45	1.72	6.77	1.75	7.09	1.78	7.25	1.80	7.41	1.81	7.74	1.84	8.08	1.87
					33	6.32	1.76	6.64	1.80	6.96	1.83	7.12	1.84	7.28	1.86	7.61	1.89	7.95	1.92
					35	6.19	1.81	6.50	1.84	6.82	1.87	7.00	1.88	7.15	1.90	7.48	1.93	7.82	1.96
					37	6.05	1.85	6.37	1.88	6.69	1.91	6.86	1.93	7.02	1.94	7.35	1.97	7.69	2.00
					39	5.92	1.90	6.24	1.93	6.56	1.96	6.73	1.97	6.89	1.99	7.22	2.02	7.56	2.05
42	5.73	1.96	6.04	1.99	6.37	2.03	6.53	2.04	6.70	2.06	7.03	2.09	7.37	2.12					
44	5.59	2.01	5.91	2.04	6.24	2.07	6.40	2.09	6.57	2.10	6.90	2.13	7.24	2.17					
46	5.46	2.06	5.78	2.09	6.11	2.12	6.27	2.13	6.44	2.15	6.77	2.18	7.11	2.21					
3500	3500	3500	10500	150%	10	786	1.33	8.17	1.36	8.48	1.39	8.64	1.40	8.80	1.42	9.12	1.45	9.45	1.48
					12	772	1.37	8.03	1.40	8.35	1.43	8.50	1.44	8.66	1.45	8.99	1.48	9.32	1.51
					14	759	1.41	7.90	1.43	8.21	1.46	8.37	1.48	8.53	1.49	8.85	1.52	9.18	1.55
					16	745	1.44	7.76	1.47	8.08	1.50	8.24	1.51	8.40	1.53	8.72	1.56	9.05	1.59
					18	732	1.48	7.63	1.51	7.94	1.54	8.10	1.55	8.26	1.57	8.59	1.60	8.92	1.63
					20	718	1.52	7.49	1.55	7.81	1.58	7.97	1.59	8.13	1.61	8.46	1.64	8.79	1.67
					21	711	1.54	7.43	1.57	7.74	1.60	7.90	1.61	8.06	1.63	8.39	1.66	8.72	1.69
					23	6.98	1.58	7.29	1.61	7.61	1.64	7.77	1.65	7.93	1.67	8.26	1.70	8.59	1.73
					25	6.84	1.62	7.16	1.65	7.48	1.68	7.64	1.69	7.80	1.71	8.12	1.74	8.46	1.77
					27	6.71	1.66	7.02	1.69	7.34	1.72	7.50	1.73	7.67	1.75	7.99	1.78	8.33	1.81
					29	6.58	1.70	6.89	1.73	7.21	1.76	7.37	1.77	7.53	1.79	7.86	1.82	8.20	1.85
					31	6.44	1.74	6.76	1.77	7.08	1.80	7.24	1.82	7.40	1.83	7.73	1.86	8.06	1.89
					33	6.31	1.78	6.63	1.81	6.95	1.84	7.11	1.86	7.27	1.88	7.60	1.91	7.94	1.94
					35	6.18	1.83	6.49	1.86	6.82	1.89	6.99	1.90	7.14	1.92	7.47	1.95	7.81	1.98
					37	6.05	1.87	6.36	1.90	6.68	1.93	6.85	1.95	7.01	1.96	7.34	2.00	7.68	2.03
					39	5.91	1.92	6.23	1.95	6.55	1.98	6.72	1.99	6.88	2.01	7.21	2.04	7.55	2.07
42	5.72	1.98	6.04	2.02	6.36	2.05	6.52	2.06	6.69	2.08	7.02	2.11	7.35	2.14					
44	5.59	2.03	5.91	2.06	6.23	2.09	6.39	2.11	6.56	2.13	6.89	2.16	7.23	2.19					
46	5.46	2.08	5.77	2.11	6.10	2.14	6.26	2.16	6.43	2.17	6.76	2.20	7.10	2.24					

# 12. Capacity Table

## 12-5. AJ070MCJ4EH/EU

### COOLING

Combination (Capacity Index)				Combination (Total)	Combination (%)	Outdoor Temperature (°C, DB)	Indoor Temperature (°C, WB)															
							14		16		18		19		20		22		24			
							TC(kW)	PI(kW)	TC(kW)	PI(kW)	TC(kW)	PI(kW)	TC(kW)	PI(kW)	TC(kW)	PI(kW)	TC(kW)	PI(kW)	TC(kW)	PI(kW)		
2000	2000	2000	2000	8000	114%	10	7.56	1.30	7.85	1.33	8.15	1.35	8.31	1.37	8.46	1.38	8.77	1.41	9.08	1.44		
						12	7.42	1.33	7.72	1.36	8.02	1.39	8.18	1.40	8.33	1.42	8.64	1.44	8.96	1.47		
						14	7.29	1.37	7.59	1.40	7.89	1.42	8.05	1.44	8.20	1.45	8.51	1.48	8.83	1.51		
						16	7.16	1.40	7.46	1.43	7.76	1.46	7.92	1.47	8.07	1.49	8.38	1.52	8.70	1.55		
						18	7.03	1.44	7.33	1.47	7.64	1.50	7.79	1.51	7.94	1.53	8.26	1.55	8.57	1.58		
						20	6.90	1.48	7.20	1.51	7.51	1.54	7.66	1.55	7.82	1.56	8.13	1.59	8.45	1.62		
						21	6.84	1.50	7.14	1.53	7.44	1.55	7.60	1.57	7.75	1.58	8.06	1.61	8.38	1.64		
						23	6.71	1.54	7.01	1.56	7.31	1.59	7.47	1.61	7.62	1.62	7.94	1.65	8.26	1.68		
						25	6.58	1.57	6.88	1.60	7.19	1.63	7.34	1.65	7.50	1.66	7.81	1.69	8.13	1.72		
						27	6.45	1.61	6.75	1.64	7.06	1.67	7.21	1.69	7.37	1.70	7.68	1.73	8.00	1.76		
						29	6.32	1.65	6.63	1.68	6.93	1.71	7.09	1.73	7.24	1.74	7.56	1.77	7.88	1.80		
						31	6.19	1.70	6.50	1.72	6.80	1.75	6.96	1.77	7.12	1.78	7.43	1.81	7.75	1.84		
						33	6.07	1.74	6.37	1.77	6.68	1.80	6.83	1.81	6.99	1.83	7.31	1.86	7.63	1.89		
						35	5.94	1.78	6.24	1.81	6.55	1.84	6.72	1.85	6.86	1.87	7.18	1.90	7.50	1.93		
						37	5.81	1.82	6.12	1.85	6.43	1.88	6.58	1.90	6.74	1.91	7.06	1.94	7.38	1.97		
						39	5.69	1.87	5.99	1.90	6.30	1.93	6.46	1.94	6.61	1.96	6.93	1.99	7.26	2.02		
42	5.50	1.93	5.80	1.96	6.11	1.99	6.27	2.01	6.43	2.02	6.75	2.05	7.07	2.08								
44	5.37	1.98	5.68	2.01	5.99	2.04	6.15	2.05	6.30	2.07	6.62	2.10	6.95	2.13								
46	5.24	2.02	5.55	2.05	5.86	2.08	6.02	2.10	6.18	2.12	6.50	2.15	6.82	2.18								
2000	2000	2000	2500	8500	121%	10	7.62	1.32	7.92	1.35	8.23	1.38	8.38	1.39	8.54	1.40	8.85	1.43	9.17	1.46		
						12	7.49	1.35	7.79	1.38	8.10	1.41	8.25	1.43	8.40	1.44	8.72	1.47	9.04	1.50		
						14	7.36	1.39	7.66	1.42	7.96	1.45	8.12	1.46	8.27	1.48	8.59	1.50	8.91	1.53		
						16	7.23	1.43	7.53	1.46	7.83	1.48	7.99	1.50	8.14	1.51	8.46	1.54	8.78	1.57		
						18	7.10	1.46	7.40	1.49	7.70	1.52	7.86	1.54	8.01	1.55	8.33	1.58	8.65	1.61		
						20	6.96	1.50	7.27	1.53	7.57	1.56	7.73	1.57	7.89	1.59	8.20	1.62	8.52	1.65		
						21	6.90	1.52	7.20	1.55	7.51	1.58	7.66	1.59	7.82	1.61	8.14	1.64	8.46	1.67		
						23	6.77	1.56	7.07	1.59	7.38	1.62	7.54	1.63	7.69	1.65	8.01	1.68	8.33	1.71		
						25	6.64	1.60	6.94	1.63	7.25	1.66	7.41	1.67	7.56	1.69	7.88	1.72	8.20	1.75		
						27	6.51	1.64	6.81	1.67	7.12	1.70	7.28	1.71	7.44	1.73	7.75	1.76	8.08	1.79		
						29	6.38	1.68	6.68	1.71	6.99	1.74	7.15	1.76	7.31	1.77	7.63	1.80	7.95	1.83		
						31	6.25	1.72	6.56	1.75	6.87	1.78	7.02	1.80	7.18	1.81	7.50	1.84	7.82	1.87		
						33	6.12	1.76	6.43	1.80	6.74	1.83	6.89	1.84	7.05	1.86	7.37	1.89	7.70	1.92		
						35	5.99	1.81	6.30	1.84	6.61	1.87	6.78	1.88	6.93	1.90	7.25	1.93	7.57	1.96		
						37	5.86	1.85	6.17	1.88	6.48	1.91	6.64	1.93	6.80	1.94	7.12	1.97	7.45	2.00		
						39	5.74	1.90	6.04	1.93	6.36	1.96	6.51	1.97	6.67	1.99	6.99	2.02	7.32	2.05		
42	5.55	1.96	5.85	1.99	6.17	2.03	6.33	2.04	6.48	2.06	6.81	2.09	7.13	2.12								
44	5.42	2.01	5.73	2.04	6.04	2.07	6.20	2.09	6.36	2.10	6.68	2.13	7.01	2.17								
46	5.29	2.06	5.60	2.09	5.92	2.12	6.07	2.13	6.23	2.15	6.56	2.18	6.89	2.21								

# 12. Capacity Table

## 12-5. AJ070MCJ4EH/EU

### COOLING

Combination (Capacity Index)				Combination (Total)	Combination (%)	Outdoor Temperature (°C, DB)	Indoor Temperature (°C, WB)													
							14		16		18		19		20		22		24	
							TC(kW)	PI(kW)	TC(kW)	PI(kW)	TC(kW)	PI(kW)	TC(kW)	PI(kW)	TC(kW)	PI(kW)	TC(kW)	PI(kW)	TC(kW)	PI(kW)
2000	2000	2000	3500	9500	136%	10	787	1.33	8.18	1.36	8.49	1.39	8.65	1.40	8.81	1.42	9.14	1.45	9.46	1.48
						12	773	1.37	8.04	1.40	8.36	1.43	8.52	1.44	8.68	1.45	9.00	1.48	9.33	1.51
						14	760	1.41	7.91	1.43	8.22	1.46	8.38	1.48	8.54	1.49	8.87	1.52	9.20	1.55
						16	746	1.44	7.77	1.47	8.09	1.50	8.25	1.51	8.41	1.53	8.73	1.56	9.06	1.59
						18	733	1.48	7.64	1.51	7.95	1.54	8.11	1.55	8.27	1.57	8.60	1.60	8.93	1.63
						20	719	1.52	7.50	1.55	7.82	1.58	7.98	1.59	8.14	1.61	8.47	1.64	8.80	1.67
						21	712	1.54	7.44	1.57	7.75	1.60	7.91	1.61	8.07	1.63	8.40	1.66	8.73	1.69
						23	6.99	1.58	7.30	1.61	7.62	1.64	7.78	1.65	7.94	1.67	8.27	1.70	8.60	1.73
						25	6.85	1.62	7.17	1.65	7.49	1.68	7.65	1.69	7.81	1.71	8.14	1.74	8.47	1.77
						27	6.72	1.66	7.03	1.69	7.35	1.72	7.51	1.73	7.68	1.75	8.00	1.78	8.34	1.81
						29	6.59	1.70	6.90	1.73	7.22	1.76	7.38	1.77	7.54	1.79	7.87	1.82	8.21	1.85
						31	6.45	1.74	6.77	1.77	7.09	1.80	7.25	1.82	7.41	1.83	7.74	1.86	8.08	1.89
						33	6.32	1.78	6.64	1.81	6.96	1.84	7.12	1.86	7.28	1.88	7.61	1.91	7.95	1.94
						35	6.19	1.83	6.50	1.86	6.82	1.89	7.00	1.90	7.15	1.92	7.48	1.95	7.82	1.98
						37	6.05	1.87	6.37	1.90	6.69	1.93	6.86	1.95	7.02	1.96	7.35	2.00	7.69	2.03
						39	5.92	1.92	6.24	1.95	6.56	1.98	6.73	1.99	6.89	2.01	7.22	2.04	7.56	2.07
42	5.73	1.98	6.04	2.02	6.37	2.05	6.53	2.06	6.70	2.08	7.03	2.11	7.37	2.14						
44	5.59	2.03	5.91	2.06	6.24	2.09	6.40	2.11	6.57	2.13	6.90	2.16	7.24	2.19						
46	5.46	2.08	5.78	2.11	6.11	2.14	6.27	2.16	6.44	2.17	6.77	2.20	7.11	2.24						
2000	2000	2500	2500	9000	129%	10	787	1.32	8.18	1.35	8.49	1.38	8.65	1.39	8.81	1.40	9.14	1.43	9.46	1.46
						12	773	1.35	8.04	1.38	8.36	1.41	8.52	1.43	8.68	1.44	9.00	1.47	9.33	1.50
						14	760	1.39	7.91	1.42	8.22	1.45	8.38	1.46	8.54	1.48	8.87	1.50	9.20	1.53
						16	746	1.43	7.77	1.46	8.09	1.48	8.25	1.50	8.41	1.51	8.73	1.54	9.06	1.57
						18	733	1.46	7.64	1.49	7.95	1.52	8.11	1.54	8.27	1.55	8.60	1.58	8.93	1.61
						20	719	1.50	7.50	1.53	7.82	1.56	7.98	1.57	8.14	1.59	8.47	1.62	8.80	1.65
						21	712	1.52	7.44	1.55	7.75	1.58	7.91	1.59	8.07	1.61	8.40	1.64	8.73	1.67
						23	6.99	1.56	7.30	1.59	7.62	1.62	7.78	1.63	7.94	1.65	8.27	1.68	8.60	1.71
						25	6.85	1.60	7.17	1.63	7.49	1.66	7.65	1.67	7.81	1.69	8.14	1.72	8.47	1.75
						27	6.72	1.64	7.03	1.67	7.35	1.70	7.51	1.71	7.68	1.73	8.00	1.76	8.34	1.79
						29	6.59	1.68	6.90	1.71	7.22	1.74	7.38	1.76	7.54	1.77	7.87	1.80	8.21	1.83
						31	6.45	1.72	6.77	1.75	7.09	1.78	7.25	1.80	7.41	1.81	7.74	1.84	8.08	1.87
						33	6.32	1.76	6.64	1.80	6.96	1.83	7.12	1.84	7.28	1.86	7.61	1.89	7.95	1.92
						35	6.19	1.81	6.50	1.84	6.82	1.87	7.00	1.88	7.15	1.90	7.48	1.93	7.82	1.96
						37	6.05	1.85	6.37	1.88	6.69	1.91	6.86	1.93	7.02	1.94	7.35	1.97	7.69	2.00
						39	5.92	1.90	6.24	1.93	6.56	1.96	6.73	1.97	6.89	1.99	7.22	2.02	7.56	2.05
42	5.73	1.96	6.04	1.99	6.37	2.03	6.53	2.04	6.70	2.06	7.03	2.09	7.37	2.12						
44	5.59	2.01	5.91	2.04	6.24	2.07	6.40	2.09	6.57	2.10	6.90	2.13	7.24	2.17						
46	5.46	2.06	5.78	2.09	6.11	2.12	6.27	2.13	6.44	2.15	6.77	2.18	7.11	2.21						

# 12. Capacity Table

## 12-5. AJ070MCJ4EH/EU

### COOLING

Combination (Capacity Index)				Combination (Total)	Combination (%)	Outdoor Temperature (°C, DB)	Indoor Temperature (°C, WB)															
							14		16		18		19		20		22		24			
							TC(kW)	PI(kW)	TC(kW)	PI(kW)	TC(kW)	PI(kW)	TC(kW)	PI(kW)	TC(kW)	PI(kW)	TC(kW)	PI(kW)	TC(kW)	PI(kW)		
2000	2000	2500	3500	10000	143%	10	7.87	1.33	8.18	1.36	8.49	1.39	8.65	1.40	8.81	1.42	9.14	1.45	9.46	1.48		
						12	7.73	1.37	8.04	1.40	8.36	1.43	8.52	1.44	8.68	1.45	9.00	1.48	9.33	1.51		
						14	7.60	1.41	7.91	1.43	8.22	1.46	8.38	1.48	8.54	1.49	8.87	1.52	9.20	1.55		
						16	7.46	1.44	7.77	1.47	8.09	1.50	8.25	1.51	8.41	1.53	8.73	1.56	9.06	1.59		
						18	7.33	1.48	7.64	1.51	7.95	1.54	8.11	1.55	8.27	1.57	8.60	1.60	8.93	1.63		
						20	7.19	1.52	7.50	1.55	7.82	1.58	7.98	1.59	8.14	1.61	8.47	1.64	8.80	1.67		
						21	7.12	1.54	7.44	1.57	7.75	1.60	7.91	1.61	8.07	1.63	8.40	1.66	8.73	1.69		
						23	6.99	1.58	7.30	1.61	7.62	1.64	7.78	1.65	7.94	1.67	8.27	1.70	8.60	1.73		
						25	6.85	1.62	7.17	1.65	7.49	1.68	7.65	1.69	7.81	1.71	8.14	1.74	8.47	1.77		
						27	6.72	1.66	7.03	1.69	7.35	1.72	7.51	1.73	7.68	1.75	8.00	1.78	8.34	1.81		
						29	6.59	1.70	6.90	1.73	7.22	1.76	7.38	1.77	7.54	1.79	7.87	1.82	8.21	1.85		
						31	6.45	1.74	6.77	1.77	7.09	1.80	7.25	1.82	7.41	1.83	7.74	1.86	8.08	1.89		
						33	6.32	1.78	6.64	1.81	6.96	1.84	7.12	1.86	7.28	1.88	7.61	1.91	7.95	1.94		
						35	6.19	1.83	6.50	1.86	6.82	1.89	7.00	1.90	7.15	1.92	7.48	1.95	7.82	1.98		
						37	6.05	1.87	6.37	1.90	6.69	1.93	6.86	1.95	7.02	1.96	7.35	2.00	7.69	2.03		
						39	5.92	1.92	6.24	1.95	6.56	1.98	6.73	1.99	6.89	2.01	7.22	2.04	7.56	2.07		
42	5.73	1.98	6.04	2.02	6.37	2.05	6.53	2.06	6.70	2.08	7.03	2.11	7.37	2.14								
44	5.59	2.03	5.91	2.06	6.24	2.09	6.40	2.11	6.57	2.13	6.90	2.16	7.24	2.19								
46	5.46	2.08	5.78	2.11	6.11	2.14	6.27	2.16	6.44	2.17	6.77	2.20	7.11	2.24								
2000	2500	2500	2500	9500	136%	10	7.87	1.33	8.18	1.36	8.49	1.39	8.65	1.40	8.81	1.42	9.14	1.45	9.46	1.48		
						12	7.73	1.37	8.04	1.40	8.36	1.43	8.52	1.44	8.68	1.45	9.00	1.48	9.33	1.51		
						14	7.60	1.41	7.91	1.43	8.22	1.46	8.38	1.48	8.54	1.49	8.87	1.52	9.20	1.55		
						16	7.46	1.44	7.77	1.47	8.09	1.50	8.25	1.51	8.41	1.53	8.73	1.56	9.06	1.59		
						18	7.33	1.48	7.64	1.51	7.95	1.54	8.11	1.55	8.27	1.57	8.60	1.60	8.93	1.63		
						20	7.19	1.52	7.50	1.55	7.82	1.58	7.98	1.59	8.14	1.61	8.47	1.64	8.80	1.67		
						21	7.12	1.54	7.44	1.57	7.75	1.60	7.91	1.61	8.07	1.63	8.40	1.66	8.73	1.69		
						23	6.99	1.58	7.30	1.61	7.62	1.64	7.78	1.65	7.94	1.67	8.27	1.70	8.60	1.73		
						25	6.85	1.62	7.17	1.65	7.49	1.68	7.65	1.69	7.81	1.71	8.14	1.74	8.47	1.77		
						27	6.72	1.66	7.03	1.69	7.35	1.72	7.51	1.73	7.68	1.75	8.00	1.78	8.34	1.81		
						29	6.59	1.70	6.90	1.73	7.22	1.76	7.38	1.77	7.54	1.79	7.87	1.82	8.21	1.85		
						31	6.45	1.74	6.77	1.77	7.09	1.80	7.25	1.82	7.41	1.83	7.74	1.86	8.08	1.89		
						33	6.32	1.78	6.64	1.81	6.96	1.84	7.12	1.86	7.28	1.88	7.61	1.91	7.95	1.94		
						35	6.19	1.83	6.50	1.86	6.82	1.89	7.00	1.90	7.15	1.92	7.48	1.95	7.82	1.98		
						37	6.05	1.87	6.37	1.90	6.69	1.93	6.86	1.95	7.02	1.96	7.35	2.00	7.69	2.03		
						39	5.92	1.92	6.24	1.95	6.56	1.98	6.73	1.99	6.89	2.01	7.22	2.04	7.56	2.07		
42	5.73	1.98	6.04	2.02	6.37	2.05	6.53	2.06	6.70	2.08	7.03	2.11	7.37	2.14								
44	5.59	2.03	5.91	2.06	6.24	2.09	6.40	2.11	6.57	2.13	6.90	2.16	7.24	2.19								
46	5.46	2.08	5.78	2.11	6.11	2.14	6.27	2.16	6.44	2.17	6.77	2.20	7.11	2.24								

# 12. Capacity Table

## 12-5. AJ070MCJ4EH/EU

### COOLING

Combination (Capacity Index)				Combination (Total)	Combination (%)	Outdoor Temperature (°C, DB)	Indoor Temperature (°C, WB)													
							14		16		18		19		20		22		24	
							TC(kW)	PI(kW)	TC(kW)	PI(kW)	TC(kW)	PI(kW)	TC(kW)	PI(kW)	TC(kW)	PI(kW)	TC(kW)	PI(kW)	TC(kW)	PI(kW)
2000	2500	2500	3500	10500	150%	10	787	1.35	8.18	1.38	8.49	1.41	8.65	1.43	8.81	1.44	9.14	1.47	9.46	1.50
						12	773	1.39	8.04	1.42	8.36	1.45	8.52	1.46	8.68	1.48	9.00	1.51	9.33	1.54
						14	760	1.43	7.91	1.46	8.22	1.49	8.38	1.50	8.54	1.52	8.87	1.54	9.20	1.57
						16	746	1.46	7.77	1.49	8.09	1.52	8.25	1.54	8.41	1.55	8.73	1.58	9.06	1.61
						18	733	1.50	7.64	1.53	7.95	1.56	8.11	1.58	8.27	1.59	8.60	1.62	8.93	1.65
						20	719	1.54	7.50	1.57	7.82	1.60	7.98	1.62	8.14	1.63	8.47	1.66	8.80	1.69
						21	712	1.56	7.44	1.59	7.75	1.62	7.91	1.64	8.07	1.65	8.40	1.68	8.73	1.71
						23	6.99	1.60	7.30	1.63	7.62	1.66	7.78	1.68	7.94	1.69	8.27	1.72	8.60	1.75
						25	6.85	1.64	7.17	1.67	7.49	1.70	7.65	1.72	7.81	1.73	8.14	1.76	8.47	1.79
						27	6.72	1.68	7.03	1.71	7.35	1.74	7.51	1.76	7.68	1.78	8.00	1.81	8.34	1.84
						29	6.59	1.73	6.90	1.76	7.22	1.79	7.38	1.80	7.54	1.82	7.87	1.85	8.21	1.88
						31	6.45	1.77	6.77	1.80	7.09	1.83	7.25	1.85	7.41	1.86	7.74	1.89	8.08	1.92
						33	6.32	1.81	6.64	1.84	6.96	1.87	7.12	1.89	7.28	1.91	7.61	1.94	7.95	1.97
						35	6.19	1.86	6.50	1.89	6.82	1.92	7.00	1.93	7.15	1.95	7.48	1.98	7.82	2.01
						37	6.05	1.90	6.37	1.93	6.69	1.96	6.86	1.98	7.02	2.00	7.35	2.03	7.69	2.06
						39	5.92	1.95	6.24	1.98	6.56	2.01	6.73	2.03	6.89	2.04	7.22	2.07	7.56	2.10
42	5.73	2.02	6.04	2.05	6.37	2.08	6.53	2.10	6.70	2.11	7.03	2.14	7.37	2.18						
44	5.59	2.06	5.91	2.09	6.24	2.13	6.40	2.14	6.57	2.16	6.90	2.19	7.24	2.22						
46	5.46	2.11	5.78	2.14	6.11	2.17	6.27	2.19	6.44	2.21	6.77	2.24	7.11	2.27						
2500	2500	2500	2500	10000	143%	10	787	1.33	8.18	1.36	8.49	1.39	8.65	1.40	8.81	1.42	9.14	1.45	9.46	1.48
						12	773	1.37	8.04	1.40	8.36	1.43	8.52	1.44	8.68	1.45	9.00	1.48	9.33	1.51
						14	760	1.41	7.91	1.43	8.22	1.46	8.38	1.48	8.54	1.49	8.87	1.52	9.20	1.55
						16	746	1.44	7.77	1.47	8.09	1.50	8.25	1.51	8.41	1.53	8.73	1.56	9.06	1.59
						18	733	1.48	7.64	1.51	7.95	1.54	8.11	1.55	8.27	1.57	8.60	1.60	8.93	1.63
						20	719	1.52	7.50	1.55	7.82	1.58	7.98	1.59	8.14	1.61	8.47	1.64	8.80	1.67
						21	712	1.54	7.44	1.57	7.75	1.60	7.91	1.61	8.07	1.63	8.40	1.66	8.73	1.69
						23	6.99	1.58	7.30	1.61	7.62	1.64	7.78	1.65	7.94	1.67	8.27	1.70	8.60	1.73
						25	6.85	1.62	7.17	1.65	7.49	1.68	7.65	1.69	7.81	1.71	8.14	1.74	8.47	1.77
						27	6.72	1.66	7.03	1.69	7.35	1.72	7.51	1.73	7.68	1.75	8.00	1.78	8.34	1.81
						29	6.59	1.70	6.90	1.73	7.22	1.76	7.38	1.77	7.54	1.79	7.87	1.82	8.21	1.85
						31	6.45	1.74	6.77	1.77	7.09	1.80	7.25	1.82	7.41	1.83	7.74	1.86	8.08	1.89
						33	6.32	1.78	6.64	1.81	6.96	1.84	7.12	1.86	7.28	1.88	7.61	1.91	7.95	1.94
						35	6.19	1.83	6.50	1.86	6.82	1.89	7.00	1.90	7.15	1.92	7.48	1.95	7.82	1.98
						37	6.05	1.87	6.37	1.90	6.69	1.93	6.86	1.95	7.02	1.96	7.35	2.00	7.69	2.03
						39	5.92	1.92	6.24	1.95	6.56	1.98	6.73	1.99	6.89	2.01	7.22	2.04	7.56	2.07
42	5.73	1.98	6.04	2.02	6.37	2.05	6.53	2.06	6.70	2.08	7.03	2.11	7.37	2.14						
44	5.59	2.03	5.91	2.06	6.24	2.09	6.40	2.11	6.57	2.13	6.90	2.16	7.24	2.19						
46	5.46	2.08	5.78	2.11	6.11	2.14	6.27	2.16	6.44	2.17	6.77	2.20	7.11	2.24						

### NOTE

- Cooling capacity is based on 27°CDB / 19°CWB (indoor temperature), 35°CDB (outdoor temperature).
- Heating capacity is based on 20°CDB (indoor temperature), 7°CDB/6°CWB (outdoor temperature).
- The above is the value for connecting with the following indoor units.
  - 2000, 2500, 3500, 5000W class: Wall Mounted
- Capacities are based on the following conditions:
  - Corresponding refrigerant piping length : 5m / - Level difference : 0m
- The total ability of connected a indoor unit is up to 10.5kW
- It is impossible to connect the indoor unit for one room only.
- This data is reference data for temperature capacity trend.



# 12. Capacity Table

## 12-5. AJ070MCJ4EH/EU

### HEATING

Combination (Capacity Index)				Combination (Total)	Combination (%)	Outdoor Temperature (°C, DB)	Indoor Temperature (°C, DB)															
							14		16		18		20		21		22		24			
							TC(kW)	PI(kW)	TC(kW)	PI(kW)	TC(kW)	PI(kW)	TC(kW)	PI(kW)	TC(kW)	PI(kW)	TC(kW)	PI(kW)	TC(kW)	PI(kW)		
2000				2000	29%	-15	1.26	0.76	1.22	0.77	1.18	0.78	1.17	0.78	1.15	0.79	1.13	0.79	1.11	0.80		
						-10	1.51	0.79	1.47	0.81	1.43	0.82	1.41	0.82	1.40	0.83	1.37	0.83	1.34	0.84		
						-5	1.76	0.83	1.71	0.85	1.67	0.86	1.66	0.86	1.64	0.87	1.61	0.88	1.58	0.88		
						0	2.01	0.87	1.96	0.89	1.92	0.90	1.90	0.90	1.88	0.91	1.85	0.92	1.82	0.93		
						2	2.11	0.89	2.06	0.90	2.02	0.91	2.00	0.92	1.98	0.92	1.95	0.93	1.92	0.94		
						7	2.31	0.92	2.26	0.93	2.21	0.95	2.20	0.95	2.17	0.96	2.14	0.97	2.11	0.98		
						10	2.51	0.95	2.46	0.96	2.41	0.98	2.39	0.98	2.37	0.99	2.33	1.00	2.30	1.01		
2500				2500	36%	-15	1.89	0.91	1.83	0.93	1.78	0.94	1.75	0.95	1.73	0.95	1.69	0.96	1.66	0.97		
						-10	2.26	0.96	2.20	0.98	2.14	0.99	2.12	1.00	2.09	1.00	2.05	1.01	2.02	1.02		
						-5	2.64	1.01	2.57	1.02	2.51	1.04	2.48	1.04	2.46	1.05	2.41	1.06	2.37	1.07		
						0	3.01	1.06	2.94	1.07	2.88	1.09	2.85	1.09	2.82	1.10	2.77	1.11	2.73	1.12		
						2	3.16	1.08	3.09	1.09	3.03	1.11	3.00	1.11	2.97	1.12	2.92	1.13	2.87	1.14		
						7	3.46	1.11	3.39	1.13	3.32	1.14	3.30	1.15	3.26	1.16	3.21	1.17	3.16	1.18		
						10	3.76	1.15	3.69	1.17	3.62	1.18	3.59	1.19	3.55	1.20	3.50	1.21	3.45	1.22		
3500				3500	50%	-15	2.29	1.03	2.22	1.05	2.15	1.06	2.13	1.07	2.10	1.07	2.05	1.08	2.01	1.09		
						-10	2.74	1.09	2.67	1.10	2.60	1.12	2.57	1.12	2.54	1.13	2.49	1.14	2.44	1.15		
						-5	3.20	1.14	3.12	1.16	3.04	1.17	3.01	1.18	2.98	1.19	2.92	1.20	2.88	1.21		
						0	3.65	1.19	3.57	1.21	3.49	1.23	3.46	1.24	3.42	1.24	3.36	1.26	3.31	1.27		
						2	3.83	1.22	3.75	1.23	3.67	1.25	3.63	1.26	3.60	1.27	3.54	1.28	3.48	1.29		
						7	4.20	1.26	4.11	1.28	4.03	1.29	4.00	1.30	3.95	1.31	3.89	1.32	3.83	1.34		
						10	4.56	1.30	4.47	1.32	4.38	1.34	4.35	1.35	4.31	1.35	4.24	1.37	4.18	1.38		
5000				5000	71%	-15	3.43	1.39	3.33	1.41	3.23	1.43	3.19	1.44	3.15	1.45	3.08	1.46	3.02	1.47		
						-10	4.11	1.46	4.00	1.49	3.90	1.51	3.85	1.51	3.81	1.52	3.73	1.54	3.67	1.55		
						-5	4.80	1.54	4.67	1.56	4.57	1.58	4.52	1.59	4.47	1.60	4.39	1.61	4.31	1.63		
						0	5.48	1.61	5.35	1.63	5.24	1.65	5.18	1.66	5.13	1.67	5.04	1.69	4.97	1.71		
						2	5.75	1.64	5.62	1.66	5.50	1.68	5.45	1.69	5.40	1.70	5.31	1.72	5.23	1.74		
						7	6.30	1.69	6.16	1.72	6.04	1.74	6.00	1.75	5.93	1.76	5.83	1.78	5.75	1.80		
						10	6.84	1.75	6.70	1.78	6.58	1.80	6.52	1.81	6.46	1.82	6.36	1.84	6.27	1.86		
2000 2000				4000	57%	-15	2.52	0.97	2.44	0.98	2.37	1.00	2.34	1.00	2.31	1.01	2.26	1.02	2.21	1.03		
						-10	3.02	1.02	2.93	1.04	2.86	1.05	2.82	1.06	2.79	1.06	2.74	1.07	2.69	1.08		
						-5	3.52	1.07	3.43	1.09	3.35	1.10	3.31	1.11	3.28	1.11	3.22	1.13	3.16	1.14		
						0	4.02	1.12	3.92	1.14	3.84	1.15	3.80	1.16	3.76	1.17	3.70	1.18	3.64	1.19		
						2	4.22	1.14	4.12	1.16	4.04	1.17	4.00	1.18	3.96	1.19	3.89	1.20	3.83	1.21		
						7	4.62	1.18	4.52	1.20	4.43	1.21	4.40	1.22	4.35	1.23	4.28	1.24	4.21	1.25		
						10	5.02	1.22	4.92	1.24	4.82	1.25	4.78	1.26	4.74	1.27	4.66	1.28	4.60	1.30		
15	5.52	1.27	5.41	1.29	5.32	1.31	5.27	1.31	5.23	1.32	5.15	1.34	5.08	1.35								



# 12. Capacity Table

## 12-5. AJ070MCJ4EH/EU

### HEATING

Combination (Capacity Index)				Combination (Total)	Combination (%)	Outdoor Temperature (°C, DB)	Indoor Temperature (°C, DB)															
							14		16		18		20		21		22		24			
							TC(kW)	PI(kW)	TC(kW)	PI(kW)	TC(kW)	PI(kW)	TC(kW)	PI(kW)	TC(kW)	PI(kW)	TC(kW)	PI(kW)	TC(kW)	PI(kW)		
3500	3500			7000	100%	-15	4.35	1.73	4.21	1.76	4.09	1.78	4.04	1.79	3.99	1.80	3.90	1.82	3.82	1.83		
						-10	5.21	1.82	5.07	1.85	4.94	1.88	4.88	1.89	4.82	1.90	4.73	1.92	4.64	1.93		
						-5	6.07	1.91	5.92	1.94	5.78	1.97	5.72	1.98	5.66	1.99	5.56	2.01	5.47	2.03		
						0	6.94	2.00	6.78	2.03	6.63	2.06	6.57	2.07	6.50	2.08	6.39	2.11	6.29	2.12		
						2	7.28	2.04	7.12	2.07	6.97	2.10	6.90	2.11	6.84	2.12	6.72	2.14	6.62	2.16		
						7	7.98	2.11	7.81	2.14	7.65	2.17	7.60	2.18	7.51	2.20	7.39	2.22	7.28	2.24		
						10	8.67	2.18	8.49	2.21	8.33	2.24	8.26	2.26	8.19	2.27	8.06	2.29	7.94	2.32		
3500	5000			8500	121%	-15	4.65	1.79	4.50	1.82	4.37	1.84	4.31	1.85	4.26	1.86	4.16	1.88	4.08	1.89		
						-10	5.57	1.88	5.41	1.91	5.28	1.94	5.21	1.95	5.15	1.96	5.05	1.98	4.96	1.99		
						-5	6.49	1.98	6.33	2.00	6.18	2.03	6.11	2.04	6.05	2.05	5.94	2.08	5.84	2.09		
						0	7.41	2.07	7.24	2.10	7.09	2.13	7.01	2.14	6.95	2.15	6.83	2.17	6.72	2.19		
						2	7.78	2.10	7.61	2.14	7.45	2.16	7.38	2.18	7.31	2.19	7.18	2.21	7.07	2.23		
						7	8.52	2.18	8.34	2.21	8.17	2.24	8.12	2.25	8.03	2.27	7.89	2.29	7.78	2.31		
						10	9.26	2.25	9.07	2.28	8.90	2.31	8.82	2.33	8.75	2.34	8.61	2.37	8.48	2.39		
5000	5000			10000	143%	-15	4.87	1.79	4.71	1.82	4.58	1.84	4.52	1.85	4.46	1.86	4.36	1.88	4.27	1.89		
						-10	5.83	1.88	5.67	1.91	5.52	1.94	5.46	1.95	5.40	1.96	5.29	1.98	5.19	1.99		
						-5	6.79	1.98	6.62	2.00	6.47	2.03	6.40	2.04	6.33	2.05	6.21	2.08	6.11	2.09		
						0	7.76	2.07	7.58	2.10	7.42	2.13	7.34	2.14	7.27	2.15	7.14	2.17	7.03	2.19		
						2	8.15	2.10	7.96	2.14	7.80	2.16	7.72	2.18	7.65	2.19	7.52	2.21	7.40	2.23		
						7	8.92	2.18	8.73	2.21	8.56	2.24	8.50	2.25	8.40	2.27	8.26	2.29	8.14	2.31		
						10	9.70	2.25	9.50	2.28	9.32	2.31	9.23	2.33	9.16	2.34	9.01	2.37	8.88	2.39		
2000	2000	2000		6000	86%	-15	3.78	1.45	3.66	1.48	3.55	1.50	3.51	1.50	3.46	1.51	3.38	1.53	3.32	1.54		
						-10	4.53	1.53	4.40	1.55	4.29	1.57	4.24	1.58	4.19	1.59	4.10	1.61	4.03	1.62		
						-5	5.27	1.61	5.14	1.63	5.02	1.65	4.97	1.66	4.92	1.67	4.83	1.69	4.75	1.70		
						0	6.02	1.68	5.89	1.71	5.76	1.73	5.70	1.74	5.65	1.75	5.55	1.77	5.46	1.78		
						2	6.32	1.71	6.18	1.74	6.05	1.76	5.99	1.77	5.94	1.78	5.84	1.80	5.75	1.82		
						7	6.93	1.77	6.78	1.80	6.64	1.82	6.60	1.83	6.52	1.84	6.42	1.86	6.32	1.88		
						10	7.53	1.83	7.37	1.86	7.24	1.88	7.17	1.89	7.11	1.91	7.00	1.93	6.90	1.94		
2000	2000	2500		6500	93%	-15	4.18	1.49	4.05	1.52	3.93	1.54	3.88	1.55	3.83	1.55	3.74	1.57	3.67	1.58		
						-10	5.01	1.57	4.87	1.60	4.74	1.62	4.69	1.63	4.63	1.64	4.54	1.65	4.46	1.67		
						-5	5.83	1.65	5.69	1.67	5.56	1.70	5.50	1.71	5.44	1.72	5.34	1.73	5.25	1.75		
						0	6.66	1.73	6.51	1.75	6.37	1.78	6.31	1.79	6.25	1.80	6.14	1.82	6.04	1.83		
						2	7.00	1.76	6.84	1.78	6.70	1.81	6.63	1.82	6.57	1.83	6.46	1.85	6.36	1.87		
						7	7.66	1.82	7.50	1.85	7.35	1.87	7.30	1.88	7.22	1.89	7.10	1.91	6.99	1.93		
						10	8.33	1.88	8.16	1.91	8.00	1.93	7.93	1.95	7.86	1.96	7.74	1.98	7.63	2.00		
2000	2000	3500		7500	107%	-15	4.69	1.53	4.55	1.56	4.42	1.58	4.36	1.59	4.30	1.60	4.20	1.61	4.12	1.62		
						-10	5.62	1.61	5.47	1.64	5.33	1.66	5.26	1.67	5.21	1.68	5.10	1.70	5.01	1.71		
						-5	6.55	1.69	6.39	1.72	6.24	1.74	6.17	1.75	6.11	1.76	5.99	1.78	5.90	1.80		
						0	7.48	1.77	7.31	1.80	7.16	1.82	7.08	1.83	7.02	1.85	6.89	1.86	6.79	1.88		
						2	7.86	1.80	7.68	1.83	7.52	1.86	7.45	1.87	7.38	1.88	7.25	1.90	7.14	1.92		
						7	8.61	1.87	8.42	1.90	8.25	1.92	8.20	1.93	8.10	1.94	7.97	1.96	7.85	1.98		
						10	9.35	1.93	9.16	1.96	8.99	1.99	8.91	2.00	8.83	2.01	8.69	2.03	8.57	2.05		
15	10.29	2.01	10.09	2.04	9.91	2.07	9.82	2.08	9.74	2.09	9.59	2.11	9.46	2.13								

# 12. Capacity Table

## 12-5. AJ070MCJ4EH/EU

### HEATING

Combination (Capacity Index)				Combination (Total)	Combination (%)	Outdoor Temperature (°C, DB)	Indoor Temperature (°C, DB)													
							14		16		18		20		21		22		24	
							TC(kW)	PI(kW)	TC(kW)	PI(kW)	TC(kW)	PI(kW)	TC(kW)	PI(kW)	TC(kW)	PI(kW)	TC(kW)	PI(kW)	TC(kW)	PI(kW)
2000	2000	5000	9000	129%	-15	4.92	1.56	4.77	1.58	4.63	1.60	4.57	1.61	4.51	1.62	4.41	1.64	4.33	1.65	
					-10	5.90	1.64	5.73	1.66	5.59	1.69	5.52	1.70	5.46	1.71	5.35	1.72	5.25	1.74	
					-5	6.87	1.72	6.70	1.75	6.55	1.77	6.47	1.78	6.41	1.79	6.29	1.81	6.18	1.82	
					0	7.85	1.80	7.67	1.83	7.50	1.85	7.43	1.86	7.36	1.87	7.23	1.89	7.12	1.91	
					2	8.24	1.83	8.06	1.86	7.89	1.89	7.81	1.90	7.74	1.91	7.61	1.93	7.49	1.95	
					7	9.02	1.90	8.83	1.92	8.66	1.95	8.60	1.96	8.50	1.97	8.36	2.00	8.24	2.01	
					10	9.81	1.96	9.61	1.99	9.43	2.02	9.34	2.03	9.26	2.04	9.12	2.06	8.99	2.08	
					15	10.79	2.04	10.58	2.07	10.39	2.10	10.30	2.11	10.22	2.12	10.06	2.15	9.92	2.17	
2000	2500	2500	7000	100%	-15	4.58	1.51	4.44	1.53	4.31	1.55	4.25	1.56	4.20	1.57	4.10	1.59	4.02	1.60	
					-10	5.49	1.59	5.33	1.61	5.20	1.63	5.14	1.64	5.08	1.65	4.97	1.67	4.89	1.68	
					-5	6.39	1.67	6.23	1.69	6.09	1.72	6.02	1.73	5.96	1.74	5.85	1.75	5.75	1.77	
					0	7.30	1.75	7.13	1.77	6.98	1.80	6.91	1.81	6.84	1.82	6.72	1.84	6.62	1.85	
					2	7.67	1.78	7.49	1.80	7.34	1.83	7.27	1.84	7.20	1.85	7.07	1.87	6.97	1.89	
					7	8.40	1.84	8.22	1.87	8.05	1.89	8.00	1.90	7.91	1.91	7.78	1.93	7.66	1.95	
					10	9.12	1.90	8.94	1.93	8.77	1.95	8.69	1.97	8.62	1.98	8.48	2.00	8.36	2.02	
					15	10.04	1.98	9.84	2.01	9.67	2.03	9.58	2.05	9.51	2.06	9.36	2.08	9.23	2.10	
2000	2500	3500	8000	114%	-15	4.73	1.53	4.58	1.56	4.45	1.58	4.39	1.59	4.33	1.60	4.24	1.61	4.15	1.62	
					-10	5.66	1.61	5.51	1.64	5.37	1.66	5.30	1.67	5.24	1.68	5.14	1.70	5.05	1.71	
					-5	6.60	1.69	6.44	1.72	6.29	1.74	6.22	1.75	6.15	1.76	6.04	1.78	5.94	1.80	
					0	7.54	1.77	7.37	1.80	7.21	1.82	7.14	1.83	7.07	1.85	6.94	1.86	6.84	1.88	
					2	7.92	1.80	7.74	1.83	7.58	1.86	7.50	1.87	7.43	1.88	7.30	1.90	7.19	1.92	
					7	8.67	1.87	8.48	1.90	8.32	1.92	8.26	1.93	8.16	1.94	8.03	1.96	7.91	1.98	
					10	9.42	1.93	9.23	1.96	9.05	1.99	8.97	2.00	8.90	2.01	8.76	2.03	8.63	2.05	
					15	10.36	2.01	10.16	2.04	9.98	2.07	9.90	2.08	9.81	2.09	9.66	2.11	9.53	2.13	
2000	2500	5000	9500	136%	-15	4.92	1.57	4.77	1.59	4.63	1.61	4.57	1.62	4.51	1.63	4.41	1.64	4.33	1.66	
					-10	5.90	1.65	5.73	1.67	5.59	1.69	5.52	1.70	5.46	1.71	5.35	1.73	5.25	1.75	
					-5	6.87	1.73	6.70	1.76	6.55	1.78	6.47	1.79	6.41	1.80	6.29	1.82	6.18	1.83	
					0	7.85	1.81	7.67	1.84	7.50	1.86	7.43	1.87	7.36	1.88	7.23	1.90	7.12	1.92	
					2	8.24	1.84	8.06	1.87	7.89	1.89	7.81	1.91	7.74	1.92	7.61	1.94	7.49	1.95	
					7	9.02	1.91	8.83	1.93	8.66	1.96	8.60	1.97	8.50	1.98	8.36	2.01	8.24	2.02	
					10	9.81	1.97	9.61	2.00	9.43	2.03	9.34	2.04	9.26	2.05	9.12	2.07	8.99	2.09	
					15	10.79	2.05	10.58	2.08	10.39	2.11	10.30	2.12	10.22	2.13	10.06	2.16	9.92	2.18	
2000	3500	3500	9000	129%	-15	4.77	1.55	4.62	1.57	4.49	1.59	4.43	1.60	4.38	1.61	4.28	1.63	4.19	1.64	
					-10	5.72	1.63	5.56	1.66	5.42	1.68	5.35	1.69	5.29	1.70	5.19	1.71	5.10	1.73	
					-5	6.67	1.71	6.50	1.74	6.35	1.76	6.28	1.77	6.21	1.78	6.10	1.80	6.00	1.81	
					0	7.61	1.79	7.44	1.82	7.28	1.84	7.20	1.85	7.14	1.86	7.01	1.88	6.90	1.90	
					2	7.99	1.82	7.81	1.85	7.65	1.88	7.58	1.89	7.50	1.90	7.38	1.92	7.26	1.94	
					7	8.75	1.89	8.57	1.92	8.40	1.94	8.34	1.95	8.24	1.96	8.11	1.99	7.99	2.00	
					10	9.51	1.95	9.32	1.98	9.14	2.01	9.06	2.02	8.98	2.03	8.84	2.05	8.71	2.07	
					15	10.47	2.03	10.26	2.06	10.08	2.09	9.99	2.10	9.91	2.11	9.76	2.14	9.62	2.16	

# 12. Capacity Table

## 12-5. AJ070MCJ4EH/EU

### HEATING

Combination (Capacity Index)				Combination (Total)	Combination (%)	Outdoor Temperature (°C, DB)	Indoor Temperature (°C, DB)															
							14		16		18		20		21		22		24			
							TC(kW)	PI(kW)	TC(kW)	PI(kW)	TC(kW)	PI(kW)	TC(kW)	PI(kW)	TC(kW)	PI(kW)	TC(kW)	PI(kW)	TC(kW)	PI(kW)		
2000	3500	5000	10500	150%	-15	4.92	1.59	4.77	1.61	4.63	1.63	4.57	1.64	4.51	1.65	4.41	1.67	4.33	1.68			
					-10	5.90	1.67	5.73	1.70	5.59	1.72	5.52	1.73	5.46	1.74	5.35	1.76	5.25	1.77			
					-5	6.87	1.76	6.70	1.78	6.55	1.81	6.47	1.82	6.41	1.83	6.29	1.85	6.18	1.86			
					0	7.85	1.84	7.67	1.87	7.50	1.89	7.43	1.90	7.36	1.91	7.23	1.93	7.12	1.95			
					2	8.24	1.87	8.06	1.90	7.89	1.92	7.81	1.94	7.74	1.95	7.61	1.97	7.49	1.98			
					7	9.02	1.94	8.83	1.96	8.66	1.99	8.60	2.00	8.50	2.01	8.36	2.04	8.24	2.05			
					10	9.81	2.00	9.61	2.03	9.43	2.06	9.34	2.07	9.26	2.08	9.12	2.10	8.99	2.12			
2500	2500	2500	7500	107%	-15	4.72	1.53	4.57	1.56	4.44	1.58	4.38	1.59	4.33	1.60	4.23	1.61	4.15	1.62			
					-10	5.66	1.61	5.50	1.64	5.36	1.66	5.30	1.67	5.24	1.68	5.13	1.70	5.04	1.71			
					-5	6.59	1.69	6.43	1.72	6.28	1.74	6.21	1.75	6.15	1.76	6.03	1.78	5.93	1.80			
					0	7.53	1.77	7.36	1.80	7.20	1.82	7.13	1.83	7.06	1.85	6.93	1.86	6.83	1.88			
					2	7.91	1.80	7.73	1.83	7.57	1.86	7.49	1.87	7.42	1.88	7.30	1.90	7.19	1.92			
					7	8.66	1.87	8.47	1.90	8.31	1.92	8.25	1.93	8.15	1.94	8.02	1.96	7.90	1.98			
					10	9.41	1.93	9.22	1.96	9.04	1.99	8.96	2.00	8.89	2.01	8.74	2.03	8.62	2.05			
2500	2500	3500	8500	121%	-15	4.77	1.55	4.62	1.57	4.49	1.59	4.43	1.60	4.37	1.61	4.27	1.63	4.19	1.64			
					-10	5.71	1.63	5.55	1.66	5.41	1.68	5.35	1.69	5.29	1.70	5.18	1.71	5.09	1.73			
					-5	6.66	1.71	6.49	1.74	6.34	1.76	6.27	1.77	6.21	1.78	6.09	1.80	5.99	1.81			
					0	7.60	1.79	7.43	1.82	7.27	1.84	7.20	1.85	7.13	1.86	7.00	1.88	6.89	1.90			
					2	7.98	1.82	7.80	1.85	7.64	1.88	7.57	1.89	7.50	1.90	7.37	1.92	7.26	1.94			
					7	8.74	1.89	8.56	1.92	8.39	1.94	8.33	1.95	8.23	1.96	8.10	1.99	7.98	2.00			
					10	9.50	1.95	9.31	1.98	9.13	2.01	9.05	2.02	8.97	2.03	8.83	2.05	8.70	2.07			
2500	2500	5000	10000	143%	-15	4.92	1.57	4.77	1.60	4.63	1.62	4.57	1.63	4.51	1.64	4.41	1.65	4.33	1.67			
					-10	5.90	1.66	5.73	1.68	5.59	1.70	5.52	1.71	5.46	1.72	5.35	1.74	5.25	1.75			
					-5	6.87	1.74	6.70	1.76	6.55	1.79	6.47	1.80	6.41	1.81	6.29	1.83	6.18	1.84			
					0	7.85	1.82	7.67	1.85	7.50	1.87	7.43	1.88	7.36	1.89	7.23	1.91	7.12	1.93			
					2	8.24	1.85	8.06	1.88	7.89	1.90	7.81	1.92	7.74	1.93	7.61	1.95	7.49	1.96			
					7	9.02	1.92	8.83	1.94	8.66	1.97	8.60	1.98	8.50	1.99	8.36	2.02	8.24	2.03			
					10	9.81	1.98	9.61	2.01	9.43	2.04	9.34	2.05	9.26	2.06	9.12	2.08	8.99	2.10			
2500	3500	3500	9500	136%	-15	4.92	1.57	4.77	1.60	4.63	1.62	4.57	1.63	4.51	1.64	4.41	1.65	4.33	1.67			
					-10	5.90	1.66	5.73	1.68	5.59	1.70	5.52	1.71	5.46	1.72	5.35	1.74	5.25	1.75			
					-5	6.87	1.74	6.70	1.76	6.55	1.79	6.47	1.80	6.41	1.81	6.29	1.83	6.18	1.84			
					0	7.85	1.82	7.67	1.85	7.50	1.87	7.43	1.88	7.36	1.89	7.23	1.91	7.12	1.93			
					2	8.24	1.85	8.06	1.88	7.89	1.90	7.81	1.92	7.74	1.93	7.61	1.95	7.49	1.96			
					7	9.02	1.92	8.83	1.94	8.66	1.97	8.60	1.98	8.50	1.99	8.36	2.02	8.24	2.03			
					10	9.81	1.98	9.61	2.01	9.43	2.04	9.34	2.05	9.26	2.06	9.12	2.08	8.99	2.10			
15	10.79	2.06	10.58	2.09	10.39	2.12	10.30	2.13	10.22	2.14	10.06	2.17	9.92	2.19								

# 12. Capacity Table

## 12-5. AJ070MCJ4EH/EU

### HEATING

Combination (Capacity Index)				Combination (Total)	Combination (%)	Outdoor Temperature (°C, DB)	Indoor Temperature (°C, DB)															
							14		16		18		20		21		22		24			
							TC(kW)	PI(kW)	TC(kW)	PI(kW)	TC(kW)	PI(kW)	TC(kW)	PI(kW)	TC(kW)	PI(kW)	TC(kW)	PI(kW)	TC(kW)	PI(kW)		
3500	3500	3500	10500	150%	-15	4.92	1.59	4.77	1.61	4.63	1.63	4.57	1.64	4.51	1.65	4.41	1.67	4.33	1.68			
					-10	5.90	1.67	5.73	1.70	5.59	1.72	5.52	1.73	5.46	1.74	5.35	1.76	5.25	1.77			
					-5	6.87	1.76	6.70	1.78	6.55	1.81	6.47	1.82	6.41	1.83	6.29	1.85	6.18	1.86			
					0	7.85	1.84	7.67	1.87	7.50	1.89	7.43	1.90	7.36	1.91	7.23	1.93	7.12	1.95			
					2	8.24	1.87	8.06	1.90	7.89	1.92	7.81	1.94	7.74	1.95	7.61	1.97	7.49	1.98			
					7	9.02	1.94	8.83	1.96	8.66	1.99	8.60	2.00	8.50	2.01	8.36	2.04	8.24	2.05			
					10	9.81	2.00	9.61	2.03	9.43	2.06	9.34	2.07	9.26	2.08	9.12	2.10	8.99	2.12			
					15	10.79	2.08	10.58	2.11	10.39	2.14	10.30	2.15	10.22	2.17	10.06	2.19	9.92	2.21			
2000	2000	2000	8000	114%	-15	4.72	1.53	4.57	1.56	4.44	1.58	4.38	1.59	4.33	1.60	4.23	1.61	4.15	1.62			
					-10	5.66	1.61	5.50	1.64	5.36	1.66	5.30	1.67	5.24	1.68	5.13	1.70	5.04	1.71			
					-5	6.59	1.69	6.43	1.72	6.28	1.74	6.21	1.75	6.15	1.76	6.03	1.78	5.93	1.80			
					0	7.53	1.77	7.36	1.80	7.20	1.82	7.13	1.83	7.06	1.85	6.93	1.86	6.83	1.88			
					2	7.91	1.80	7.73	1.83	7.57	1.86	7.49	1.87	7.42	1.88	7.30	1.90	7.19	1.92			
					7	8.66	1.87	8.47	1.90	8.31	1.92	8.25	1.93	8.15	1.94	8.02	1.96	7.90	1.98			
					10	9.41	1.93	9.22	1.96	9.04	1.99	8.96	2.00	8.89	2.01	8.74	2.03	8.62	2.05			
					15	10.35	2.01	10.15	2.04	9.97	2.07	9.88	2.08	9.80	2.09	9.65	2.11	9.52	2.13			
2000	2000	2500	8500	121%	-15	4.76	1.55	4.61	1.57	4.48	1.59	4.42	1.60	4.37	1.61	4.27	1.63	4.18	1.64			
					-10	5.71	1.63	5.55	1.66	5.41	1.68	5.34	1.69	5.28	1.70	5.17	1.71	5.08	1.73			
					-5	6.65	1.71	6.48	1.74	6.33	1.76	6.26	1.77	6.20	1.78	6.08	1.80	5.98	1.81			
					0	7.59	1.79	7.42	1.82	7.26	1.84	7.19	1.85	7.12	1.86	6.99	1.88	6.89	1.90			
					2	7.97	1.82	7.79	1.85	7.63	1.88	7.56	1.89	7.49	1.90	7.36	1.92	7.25	1.94			
					7	8.73	1.89	8.54	1.92	8.38	1.94	8.32	1.95	8.22	1.96	8.09	1.99	7.97	2.00			
					10	9.49	1.95	9.30	1.98	9.12	2.01	9.04	2.02	8.96	2.03	8.82	2.05	8.69	2.07			
					15	10.44	2.03	10.24	2.06	10.05	2.09	9.97	2.10	9.89	2.11	9.73	2.14	9.60	2.16			
2000	2000	3500	9500	136%	-15	4.92	1.59	4.77	1.61	4.63	1.63	4.57	1.64	4.51	1.65	4.41	1.67	4.33	1.68			
					-10	5.90	1.67	5.73	1.70	5.59	1.72	5.52	1.73	5.46	1.74	5.35	1.76	5.25	1.77			
					-5	6.87	1.76	6.70	1.78	6.55	1.81	6.47	1.82	6.41	1.83	6.29	1.85	6.18	1.86			
					0	7.85	1.84	7.67	1.87	7.50	1.89	7.43	1.90	7.36	1.91	7.23	1.93	7.12	1.95			
					2	8.24	1.87	8.06	1.90	7.89	1.92	7.81	1.94	7.74	1.95	7.61	1.97	7.49	1.98			
					7	9.02	1.94	8.83	1.96	8.66	1.99	8.60	2.00	8.50	2.01	8.36	2.04	8.24	2.05			
					10	9.81	2.00	9.61	2.03	9.43	2.06	9.34	2.07	9.26	2.08	9.12	2.10	8.99	2.12			
					15	10.79	2.08	10.58	2.11	10.39	2.14	10.30	2.15	10.22	2.17	10.06	2.19	9.92	2.21			
2000	2000	2500	9000	129%	-15	4.92	1.57	4.77	1.59	4.63	1.61	4.57	1.62	4.51	1.63	4.41	1.64	4.33	1.66			
					-10	5.90	1.65	5.73	1.67	5.59	1.69	5.52	1.70	5.46	1.71	5.35	1.73	5.25	1.75			
					-5	6.87	1.73	6.70	1.76	6.55	1.78	6.47	1.79	6.41	1.80	6.29	1.82	6.18	1.83			
					0	7.85	1.81	7.67	1.84	7.50	1.86	7.43	1.87	7.36	1.88	7.23	1.90	7.12	1.92			
					2	8.24	1.84	8.06	1.87	7.89	1.89	7.81	1.91	7.74	1.92	7.61	1.94	7.49	1.95			
					7	9.02	1.91	8.83	1.93	8.66	1.96	8.60	1.97	8.50	1.98	8.36	2.01	8.24	2.02			
					10	9.81	1.97	9.61	2.00	9.43	2.03	9.34	2.04	9.26	2.05	9.12	2.07	8.99	2.09			
					15	10.79	2.05	10.58	2.08	10.39	2.11	10.30	2.12	10.22	2.13	10.06	2.16	9.92	2.18			

# 12. Capacity Table

## 12-5. AJ070MCJ4EH/EU

### HEATING

Combination (Capacity Index)				Combination (Total)	Combination (%)	Outdoor Temperature (°C, DB)	Indoor Temperature (°C, DB)															
							14		16		18		20		21		22		24			
							TC(kW)	PI(kW)	TC(kW)	PI(kW)	TC(kW)	PI(kW)	TC(kW)	PI(kW)	TC(kW)	PI(kW)	TC(kW)	PI(kW)	TC(kW)	PI(kW)		
2000	2000	2500	3500	10000	143%	-15	4.92	1.59	4.77	1.61	4.63	1.63	4.57	1.64	4.51	1.65	4.41	1.67	4.33	1.68		
						-10	5.90	1.67	5.73	1.70	5.59	1.72	5.52	1.73	5.46	1.74	5.35	1.76	5.25	1.77		
						-5	6.87	1.76	6.70	1.78	6.55	1.81	6.47	1.82	6.41	1.83	6.29	1.85	6.18	1.86		
						0	7.85	1.84	7.67	1.87	7.50	1.89	7.43	1.90	7.36	1.91	7.23	1.93	7.12	1.95		
						2	8.24	1.87	8.06	1.90	7.89	1.92	7.81	1.94	7.74	1.95	7.61	1.97	7.49	1.98		
						7	9.02	1.94	8.83	1.96	8.66	1.99	8.60	2.00	8.50	2.01	8.36	2.04	8.24	2.05		
						10	9.81	2.00	9.61	2.03	9.43	2.06	9.34	2.07	9.26	2.08	9.12	2.10	8.99	2.12		
2000	2500	2500	2500	9500	136%	-15	4.92	1.59	4.77	1.61	4.63	1.63	4.57	1.64	4.51	1.65	4.41	1.67	4.33	1.68		
						-10	5.90	1.67	5.73	1.70	5.59	1.72	5.52	1.73	5.46	1.74	5.35	1.76	5.25	1.77		
						-5	6.87	1.76	6.70	1.78	6.55	1.81	6.47	1.82	6.41	1.83	6.29	1.85	6.18	1.86		
						0	7.85	1.84	7.67	1.87	7.50	1.89	7.43	1.90	7.36	1.91	7.23	1.93	7.12	1.95		
						2	8.24	1.87	8.06	1.90	7.89	1.92	7.81	1.94	7.74	1.95	7.61	1.97	7.49	1.98		
						7	9.02	1.94	8.83	1.96	8.66	1.99	8.60	2.00	8.50	2.01	8.36	2.04	8.24	2.05		
						10	9.81	2.00	9.61	2.03	9.43	2.06	9.34	2.07	9.26	2.08	9.12	2.10	8.99	2.12		
2000	2500	2500	3500	10500	150%	-15	4.92	1.59	4.77	1.61	4.63	1.63	4.57	1.64	4.51	1.65	4.41	1.67	4.33	1.68		
						-10	5.90	1.67	5.73	1.70	5.59	1.72	5.52	1.73	5.46	1.74	5.35	1.76	5.25	1.77		
						-5	6.87	1.76	6.70	1.78	6.55	1.81	6.47	1.82	6.41	1.83	6.29	1.85	6.18	1.86		
						0	7.85	1.84	7.67	1.87	7.50	1.89	7.43	1.90	7.36	1.91	7.23	1.93	7.12	1.95		
						2	8.24	1.87	8.06	1.90	7.89	1.92	7.81	1.94	7.74	1.95	7.61	1.97	7.49	1.98		
						7	9.02	1.94	8.83	1.96	8.66	1.99	8.60	2.00	8.50	2.01	8.36	2.04	8.24	2.05		
						10	9.81	2.00	9.61	2.03	9.43	2.06	9.34	2.07	9.26	2.08	9.12	2.10	8.99	2.12		
2500	2500	2500	2500	10000	143%	-15	4.92	1.59	4.77	1.61	4.63	1.63	4.57	1.64	4.51	1.65	4.41	1.67	4.33	1.68		
						-10	5.90	1.67	5.73	1.70	5.59	1.72	5.52	1.73	5.46	1.74	5.35	1.76	5.25	1.77		
						-5	6.87	1.76	6.70	1.78	6.55	1.81	6.47	1.82	6.41	1.83	6.29	1.85	6.18	1.86		
						0	7.85	1.84	7.67	1.87	7.50	1.89	7.43	1.90	7.36	1.91	7.23	1.93	7.12	1.95		
						2	8.24	1.87	8.06	1.90	7.89	1.92	7.81	1.94	7.74	1.95	7.61	1.97	7.49	1.98		
						7	9.02	1.94	8.83	1.96	8.66	1.99	8.60	2.00	8.50	2.01	8.36	2.04	8.24	2.05		
						10	9.81	2.00	9.61	2.03	9.43	2.06	9.34	2.07	9.26	2.08	9.12	2.10	8.99	2.12		

### NOTE

- Cooling capacity is based on 27°CDB / 19°CWB (indoor temperature), 35°CDB (outdoor temperature).
- Heating capacity is based on 20°CDB (indoor temperature), 7°CDB/6°CWB (outdoor temperature).
- The above is the value for connecting with the following indoor units.
  - 2000, 2500, 3500, 5000W class: Wall Mounted
- Capacities are based on the following conditions:
  - Corresponding refrigerant piping length : 5m / - Level difference : 0m
- The total ability of connected a indoor unit is up to 10.5kW
- It is impossible to connect the indoor unit for one room only.
- This data is reference data for temperature capacity trend.

# 12. Capacity Table

## 12-6. AJ080MCJ4EH/EU

### COOLING

Combination (Capacity Index)				Combination (Total)	Combination (%)	Outdoor Temperature (°C, DB)	Indoor Temperature (°C, WB)													
							14		16		18		19		20		22		24	
							TC(kW)	PI(kW)	TC(kW)	PI(kW)	TC(kW)	PI(kW)	TC(kW)	PI(kW)	TC(kW)	PI(kW)	TC(kW)	PI(kW)	TC(kW)	PI(kW)
2000				2000	25%	10	1.76	0.45	2.55	0.50	2.66	0.55	2.71	0.56	2.76	0.58	2.87	0.61	2.98	0.63
						12	1.76	0.47	2.51	0.52	2.62	0.56	2.67	0.58	2.72	0.60	2.83	0.62	2.94	0.64
						14	1.76	0.49	2.47	0.54	2.57	0.58	2.63	0.60	2.68	0.61	2.79	0.64	2.90	0.66
						16	1.76	0.51	2.43	0.56	2.53	0.60	2.59	0.61	2.64	0.63	2.75	0.65	2.85	0.67
						18	1.76	0.54	2.39	0.58	2.49	0.62	2.54	0.63	2.60	0.65	2.70	0.67	2.81	0.68
						20	1.76	0.56	2.35	0.60	2.45	0.63	2.50	0.65	2.56	0.66	2.66	0.68	2.77	0.69
						21	1.76	0.57	2.33	0.61	2.43	0.64	2.48	0.66	2.54	0.67	2.64	0.69	2.75	0.70
						23	1.76	0.59	2.29	0.63	2.39	0.66	2.44	0.68	2.49	0.69	2.60	0.71	2.70	0.72
						25	1.76	0.61	2.25	0.65	2.35	0.68	2.40	0.69	2.45	0.70	2.56	0.72	2.66	0.73
						27	1.76	0.64	2.21	0.67	2.31	0.70	2.36	0.71	2.41	0.72	2.51	0.74	2.62	0.74
						29	1.76	0.66	2.17	0.69	2.27	0.72	2.32	0.73	2.37	0.74	2.47	0.75	2.58	0.76
						31	1.76	0.68	2.13	0.72	2.23	0.74	2.28	0.75	2.33	0.76	2.43	0.77	2.53	0.77
						33	1.76	0.71	2.09	0.74	2.19	0.76	2.24	0.77	2.29	0.78	2.39	0.79	2.49	0.79
						35	1.76	0.73	2.05	0.76	2.15	0.78	2.20	0.78	2.25	0.80	2.35	0.80	2.45	0.80
						37	1.76	0.75	2.01	0.78	2.11	0.80	2.16	0.81	2.21	0.82	2.31	0.82	2.41	0.82
						39	1.76	0.78	1.97	0.81	2.07	0.82	2.12	0.83	2.17	0.84	2.27	0.84	2.37	0.84
42	1.74	0.82	1.91	0.84	2.01	0.86	2.06	0.86	2.11	0.87	2.21	0.87	2.30	0.86						
44	1.65	0.84	1.88	0.86	1.97	0.88	2.02	0.88	2.07	0.89	2.17	0.89	2.26	0.88						
46	1.61	0.87	1.84	0.89	1.93	0.90	1.98	0.91	2.03	0.91	2.12	0.91	2.22	0.90						
2500				2500	31%	10	2.00	0.49	2.90	0.54	3.02	0.59	3.08	0.61	3.14	0.63	3.26	0.66	3.39	0.68
						12	2.00	0.51	2.85	0.56	2.97	0.61	3.03	0.63	3.09	0.64	3.22	0.67	3.34	0.69
						14	2.00	0.53	2.80	0.58	2.93	0.62	2.99	0.64	3.05	0.66	3.17	0.69	3.29	0.71
						16	2.00	0.55	2.76	0.60	2.88	0.64	2.94	0.66	3.00	0.68	3.12	0.70	3.24	0.72
						18	2.00	0.58	2.71	0.62	2.83	0.66	2.89	0.68	2.95	0.69	3.07	0.72	3.19	0.73
						20	2.00	0.60	2.67	0.65	2.79	0.68	2.85	0.70	2.90	0.71	3.02	0.73	3.14	0.75
						21	2.00	0.61	2.64	0.66	2.76	0.69	2.82	0.71	2.88	0.72	3.00	0.74	3.12	0.76
						23	2.00	0.64	2.60	0.68	2.72	0.71	2.78	0.73	2.83	0.74	2.95	0.76	3.07	0.77
						25	2.00	0.66	2.55	0.70	2.67	0.73	2.73	0.75	2.79	0.76	2.91	0.78	3.02	0.79
						27	2.00	0.68	2.51	0.72	2.62	0.75	2.68	0.77	2.74	0.78	2.86	0.79	2.98	0.80
						29	2.00	0.71	2.46	0.75	2.58	0.78	2.64	0.79	2.69	0.80	2.81	0.81	2.93	0.82
						31	2.00	0.73	2.42	0.77	2.53	0.80	2.59	0.81	2.65	0.82	2.76	0.83	2.88	0.83
						33	2.00	0.76	2.37	0.79	2.49	0.82	2.54	0.83	2.60	0.84	2.72	0.85	2.83	0.85
						35	2.00	0.79	2.33	0.82	2.44	0.84	2.50	0.84	2.56	0.86	2.67	0.87	2.78	0.87
						37	2.00	0.81	2.29	0.84	2.40	0.86	2.45	0.87	2.51	0.88	2.62	0.89	2.74	0.88
						39	2.00	0.84	2.24	0.87	2.35	0.89	2.41	0.90	2.46	0.90	2.58	0.91	2.69	0.90
42	1.98	0.88	2.18	0.91	2.29	0.92	2.34	0.93	2.40	0.93	2.51	0.93	2.62	0.93						
44	1.88	0.91	2.13	0.93	2.24	0.95	2.30	0.95	2.35	0.96	2.46	0.96	2.57	0.95						
46	1.83	0.94	2.09	0.96	2.20	0.97	2.25	0.98	2.30	0.98	2.41	0.98	2.53	0.97						



# 12. Capacity Table

## 12-6. AJ080MCJ4EH/EU

### COOLING

Combination (Capacity Index)				Combination (Total)	Combination (%)	Outdoor Temperature (°C, DB)	Indoor Temperature (°C, WB)															
							14		16		18		19		20		22		24			
							TC(kW)	PI(kW)	TC(kW)	PI(kW)	TC(kW)	PI(kW)	TC(kW)	PI(kW)	TC(kW)	PI(kW)	TC(kW)	PI(kW)	TC(kW)	PI(kW)		
3500				3500	44%	10	2.80	0.65	4.06	0.73	4.23	0.79	4.31	0.82	4.40	0.84	4.57	0.88	4.74	0.92		
						12	2.80	0.68	3.99	0.75	4.16	0.82	4.25	0.84	4.33	0.87	4.50	0.90	4.68	0.93		
						14	2.80	0.71	3.93	0.78	4.10	0.84	4.18	0.87	4.26	0.89	4.44	0.92	4.61	0.95		
						16	2.80	0.74	3.86	0.81	4.03	0.87	4.11	0.89	4.20	0.91	4.37	0.95	4.54	0.97		
						18	2.80	0.78	3.80	0.84	3.96	0.89	4.05	0.91	4.13	0.93	4.30	0.97	4.47	0.99		
						20	2.80	0.81	3.73	0.87	3.90	0.92	3.98	0.94	4.07	0.96	4.23	0.99	4.40	1.01		
						21	2.80	0.82	3.70	0.88	3.87	0.93	3.95	0.95	4.03	0.97	4.20	1.00	4.37	1.02		
						23	2.80	0.85	3.64	0.91	3.80	0.96	3.89	0.98	3.97	1.00	4.13	1.02	4.30	1.04		
						25	2.80	0.89	3.58	0.94	3.74	0.99	3.82	1.01	3.90	1.02	4.07	1.04	4.23	1.06		
						27	2.80	0.92	3.51	0.97	3.67	1.02	3.76	1.03	3.84	1.05	4.00	1.07	4.17	1.08		
						29	2.80	0.95	3.45	1.00	3.61	1.04	3.69	1.06	3.77	1.07	3.93	1.09	4.10	1.10		
						31	2.80	0.99	3.39	1.04	3.55	1.07	3.63	1.09	3.71	1.10	3.87	1.12	4.03	1.12		
						33	2.80	1.02	3.32	1.07	3.48	1.10	3.56	1.12	3.64	1.13	3.80	1.14	3.97	1.14		
						35	2.80	1.06	3.26	1.10	3.42	1.13	3.50	1.13	3.58	1.15	3.74	1.17	3.90	1.17		
						37	2.80	1.09	3.20	1.13	3.36	1.16	3.43	1.17	3.51	1.18	3.67	1.19	3.83	1.19		
						39	2.80	1.13	3.14	1.17	3.29	1.19	3.37	1.20	3.45	1.21	3.61	1.22	3.77	1.21		
42	2.77	1.18	3.05	1.22	3.20	1.24	3.28	1.25	3.35	1.26	3.51	1.26	3.67	1.25								
44	2.63	1.22	2.98	1.25	3.14	1.27	3.21	1.28	3.29	1.28	3.45	1.28	3.60	1.27								
46	2.56	1.26	2.92	1.29	3.07	1.31	3.15	1.31	3.23	1.32	3.38	1.31	3.54	1.30								
5000				5000	63%	10	3.92	0.88	5.68	0.98	5.92	1.06	6.04	1.10	6.16	1.13	6.40	1.19	6.64	1.23		
						12	3.92	0.92	5.59	1.02	5.82	1.10	5.94	1.13	6.06	1.16	6.30	1.22	6.55	1.25		
						14	3.92	0.96	5.50	1.05	5.73	1.13	5.85	1.16	5.97	1.19	6.21	1.24	6.45	1.28		
						16	3.92	1.00	5.41	1.09	5.64	1.17	5.76	1.20	5.88	1.23	6.12	1.27	6.35	1.30		
						18	3.92	1.04	5.32	1.13	5.55	1.20	5.67	1.23	5.79	1.26	6.02	1.30	6.26	1.33		
						20	3.92	1.08	5.23	1.17	5.46	1.24	5.58	1.26	5.69	1.29	5.93	1.33	6.16	1.35		
						21	3.92	1.11	5.18	1.19	5.41	1.25	5.53	1.28	5.65	1.31	5.88	1.34	6.12	1.37		
						23	3.92	1.15	5.10	1.23	5.32	1.29	5.44	1.32	5.56	1.34	5.79	1.37	6.02	1.39		
						25	3.92	1.19	5.01	1.27	5.23	1.33	5.35	1.35	5.46	1.37	5.69	1.40	5.93	1.42		
						27	3.92	1.24	4.92	1.31	5.14	1.37	5.26	1.39	5.37	1.41	5.60	1.44	5.83	1.45		
						29	3.92	1.28	4.83	1.35	5.05	1.40	5.17	1.43	5.28	1.44	5.51	1.47	5.74	1.48		
						31	3.92	1.33	4.74	1.39	4.97	1.44	5.08	1.46	5.19	1.48	5.42	1.50	5.64	1.51		
						33	3.92	1.38	4.65	1.44	4.88	1.48	4.99	1.50	5.10	1.52	5.32	1.53	5.55	1.54		
						35	3.92	1.42	4.57	1.48	4.79	1.52	4.90	1.52	5.01	1.55	5.23	1.57	5.46	1.57		
						37	3.92	1.47	4.48	1.52	4.70	1.57	4.81	1.58	4.92	1.59	5.14	1.60	5.36	1.60		
						39	3.92	1.52	4.39	1.57	4.61	1.61	4.72	1.62	4.83	1.63	5.05	1.64	5.27	1.63		
42	3.87	1.59	4.26	1.64	4.48	1.67	4.59	1.68	4.70	1.69	4.91	1.69	5.13	1.68								
44	3.68	1.64	4.18	1.69	4.39	1.71	4.50	1.72	4.61	1.73	4.82	1.73	5.04	1.71								
46	3.58	1.69	4.09	1.73	4.30	1.76	4.41	1.77	4.52	1.77	4.73	1.77	4.95	1.75								

# 12. Capacity Table

## 12-6. AJ080MCJ4EH/EU

### COOLING

Combination (Capacity Index)				Combination (Total)	Combination (%)	Outdoor Temperature (°C, DB)	Indoor Temperature (°C, WB)													
							14		16		18		19		20		22		24	
							TC(kW)	PI(kW)	TC(kW)	PI(kW)	TC(kW)	PI(kW)	TC(kW)	PI(kW)	TC(kW)	PI(kW)	TC(kW)	PI(kW)	TC(kW)	PI(kW)
6800				6800	85%	10	4.80	0.88	6.95	1.28	7.25	1.39	7.39	1.44	7.54	1.48	7.84	1.56	8.13	1.61
						12	4.80	0.92	6.84	1.33	7.13	1.44	7.28	1.48	7.43	1.52	7.72	1.59	8.02	1.64
						14	4.80	0.96	6.73	1.38	7.02	1.48	7.17	1.52	7.31	1.56	7.60	1.63	7.90	1.67
						16	4.80	1.00	6.62	1.43	6.91	1.53	7.05	1.57	7.20	1.60	7.49	1.66	7.78	1.71
						18	4.80	1.04	6.51	1.48	6.80	1.57	6.94	1.61	7.08	1.65	7.37	1.70	7.66	1.74
						20	4.80	1.08	6.40	1.53	6.69	1.62	6.83	1.66	6.97	1.69	7.26	1.74	7.55	1.77
						21	4.80	1.11	6.35	1.55	6.63	1.64	6.77	1.68	6.91	1.71	7.20	1.76	7.49	1.79
						23	4.80	1.15	6.24	1.61	6.52	1.69	6.66	1.72	6.80	1.75	7.09	1.80	7.37	1.83
						25	4.80	1.19	6.13	1.66	6.41	1.74	6.55	1.77	6.69	1.80	6.97	1.84	7.26	1.86
						27	4.80	1.24	6.02	1.71	6.30	1.79	6.44	1.82	6.58	1.84	6.86	1.88	7.14	1.90
						29	4.80	1.28	5.91	1.77	6.19	1.84	6.33	1.87	6.47	1.89	6.75	1.92	7.03	1.94
						31	4.80	1.33	5.81	1.82	6.08	1.89	6.22	1.92	6.36	1.94	6.63	1.97	6.91	1.97
						33	4.80	1.38	5.70	1.88	5.97	1.94	6.11	1.97	6.24	1.98	6.52	2.01	6.80	2.01
						35	4.80	1.42	5.59	1.94	5.86	2.00	6.00	1.99	6.13	2.03	6.41	2.05	6.68	2.05
						37	4.80	1.47	5.49	2.00	5.75	2.05	5.89	2.07	6.02	2.08	6.30	2.10	6.57	2.09
						39	4.80	1.52	5.38	2.06	5.65	2.10	5.78	2.12	5.91	2.13	6.18	2.14	6.46	2.14
42	4.74	1.59	5.22	2.15	5.48	2.19	5.62	2.20	5.75	2.21	6.02	2.21	6.29	2.20						
44	4.50	1.64	5.12	2.21	5.38	2.24	5.51	2.26	5.64	2.26	5.91	2.26	6.17	2.24						
46	4.38	1.69	5.01	2.27	5.27	2.30	5.40	2.31	5.53	2.32	5.80	2.31	6.06	2.29						
2000	2000			4000	50%	10	3.53	0.87	4.99	0.89	5.08	0.91	5.14	0.92	5.20	0.94	5.35	0.95	5.52	0.97
						12	3.53	0.89	4.85	0.91	4.95	0.94	5.01	0.95	5.08	0.96	5.23	0.98	5.41	1.00
						14	3.53	0.92	4.72	0.94	4.83	0.96	4.89	0.97	4.96	0.98	5.12	1.00	5.31	1.02
						16	3.53	0.94	4.60	0.96	4.71	0.98	4.78	0.99	4.85	1.00	5.02	1.02	5.21	1.04
						18	3.53	0.96	4.48	0.98	4.60	1.01	4.67	1.02	4.75	1.03	4.92	1.04	5.12	1.06
						20	3.53	0.99	4.36	1.01	4.49	1.03	4.57	1.04	4.65	1.05	4.83	1.07	5.03	1.09
						21	3.53	1.00	4.31	1.02	4.44	1.04	4.52	1.05	4.60	1.06	4.78	1.08	4.99	1.10
						23	3.53	1.03	4.20	1.05	4.34	1.07	4.42	1.08	4.51	1.09	4.70	1.11	4.91	1.13
						25	3.53	1.05	4.10	1.07	4.25	1.09	4.33	1.10	4.42	1.11	4.62	1.13	4.84	1.15
						27	3.53	1.08	4.01	1.10	4.16	1.12	4.25	1.13	4.34	1.14	4.55	1.16	4.78	1.18
						29	3.53	1.11	3.92	1.13	4.08	1.15	4.17	1.16	4.27	1.17	4.48	1.19	4.72	1.20
						31	3.53	1.13	3.84	1.15	4.01	1.18	4.10	1.19	4.20	1.19	4.42	1.21	4.66	1.23
						33	3.53	1.16	3.76	1.18	3.94	1.20	4.03	1.21	4.13	1.22	4.36	1.24	4.61	1.26
						35	3.53	1.19	3.69	1.21	3.87	1.23	4.00	1.24	4.08	1.25	4.31	1.27	4.57	1.29
						37	3.53	1.22	3.62	1.24	3.81	1.26	3.91	1.27	4.02	1.28	4.26	1.30	4.53	1.32
						39	3.53	1.25	3.56	1.27	3.76	1.29	3.86	1.30	3.98	1.31	4.22	1.33	4.49	1.35
42	3.53	1.30	3.48	1.32	3.69	1.34	3.80	1.35	3.92	1.36	4.17	1.38	4.46	1.40						
44	3.53	1.33	3.44	1.35	3.65	1.37	3.76	1.38	3.89	1.39	4.15	1.41	4.44	1.43						
46	3.53	1.37	3.39	1.39	3.61	1.41	3.73	1.42	3.86	1.43	4.13	1.44	4.42	1.46						

# 12. Capacity Table

## 12-6. AJ080MCJ4EH/EU

### COOLING

Combination (Capacity Index)				Combination (Total)	Combination (%)	Outdoor Temperature (°C, DB)	Indoor Temperature (°C, WB)															
							14		16		18		19		20		22		24			
							TC(kW)	PI(kW)	TC(kW)	PI(kW)	TC(kW)	PI(kW)	TC(kW)	PI(kW)	TC(kW)	PI(kW)	TC(kW)	PI(kW)	TC(kW)	PI(kW)		
2000	2500			4500	56%	10	4.07	1.00	5.73	1.03	5.84	1.05	5.91	1.07	5.98	1.08	6.15	1.10	6.34	1.12		
						12	4.07	1.03	5.58	1.06	5.69	1.08	5.76	1.09	5.84	1.10	6.02	1.13	6.22	1.15		
						14	4.07	1.06	5.43	1.08	5.55	1.11	5.63	1.12	5.71	1.13	5.89	1.15	6.10	1.17		
						16	4.07	1.08	5.29	1.11	5.42	1.13	5.50	1.14	5.58	1.16	5.77	1.18	5.99	1.20		
						18	4.07	1.11	5.15	1.14	5.29	1.16	5.37	1.17	5.46	1.18	5.66	1.21	5.89	1.23		
						20	4.07	1.14	5.02	1.16	5.17	1.19	5.25	1.20	5.34	1.21	5.55	1.23	5.79	1.25		
						21	4.07	1.15	4.96	1.18	5.11	1.20	5.19	1.21	5.29	1.22	5.50	1.25	5.74	1.27		
						23	4.07	1.18	4.83	1.21	4.99	1.23	5.09	1.24	5.18	1.25	5.40	1.28	5.65	1.30		
						25	4.07	1.21	4.72	1.24	4.89	1.26	4.98	1.27	5.09	1.28	5.31	1.31	5.57	1.33		
						27	4.07	1.24	4.61	1.27	4.79	1.29	4.89	1.30	4.99	1.31	5.23	1.34	5.49	1.36		
						29	4.07	1.27	4.51	1.30	4.69	1.32	4.80	1.33	4.91	1.35	5.15	1.37	5.42	1.39		
						31	4.07	1.31	4.42	1.33	4.61	1.36	4.71	1.37	4.83	1.38	5.08	1.40	5.36	1.42		
						33	4.07	1.34	4.33	1.36	4.53	1.39	4.64	1.40	4.76	1.41	5.01	1.43	5.30	1.45		
						35	4.07	1.37	4.24	1.40	4.45	1.42	4.60	1.43	4.69	1.44	4.96	1.47	5.25	1.49		
						37	4.07	1.41	4.17	1.43	4.38	1.46	4.50	1.47	4.63	1.48	4.90	1.50	5.21	1.52		
						39	4.07	1.44	4.10	1.47	4.32	1.49	4.44	1.50	4.57	1.51	4.86	1.54	5.17	1.56		
42	4.07	1.50	4.01	1.52	4.24	1.55	4.37	1.56	4.51	1.57	4.80	1.59	5.12	1.61								
44	4.07	1.54	3.95	1.56	4.20	1.58	4.33	1.59	4.47	1.61	4.77	1.63	5.10	1.65								
46	4.07	1.57	3.90	1.60	4.16	1.62	4.29	1.63	4.44	1.64	4.75	1.66	5.09	1.68								
2000	3500			5500	69%	10	4.86	1.20	6.86	1.23	6.99	1.26	7.06	1.28	7.15	1.29	7.35	1.32	7.59	1.34		
						12	4.86	1.23	6.67	1.26	6.81	1.29	6.89	1.31	6.98	1.32	7.19	1.35	7.44	1.37		
						14	4.86	1.26	6.49	1.29	6.64	1.32	6.73	1.34	6.82	1.35	7.04	1.38	7.30	1.40		
						16	4.86	1.29	6.32	1.32	6.48	1.35	6.57	1.37	6.67	1.38	6.90	1.41	7.16	1.43		
						18	4.86	1.33	6.16	1.36	6.32	1.39	6.42	1.40	6.53	1.41	6.76	1.44	7.04	1.47		
						20	4.86	1.36	6.00	1.39	6.18	1.42	6.28	1.43	6.39	1.45	6.64	1.47	6.92	1.50		
						21	4.86	1.38	5.92	1.41	6.11	1.44	6.21	1.45	6.32	1.46	6.58	1.49	6.86	1.52		
						23	4.86	1.41	5.78	1.44	5.97	1.47	6.08	1.49	6.20	1.50	6.46	1.53	6.76	1.55		
						25	4.86	1.45	5.64	1.48	5.84	1.51	5.96	1.52	6.08	1.54	6.35	1.56	6.66	1.59		
						27	4.86	1.49	5.51	1.52	5.72	1.54	5.84	1.56	5.97	1.57	6.25	1.60	6.57	1.62		
						29	4.86	1.52	5.39	1.55	5.61	1.58	5.74	1.60	5.87	1.61	6.16	1.64	6.48	1.66		
						31	4.86	1.56	5.28	1.59	5.51	1.62	5.64	1.63	5.77	1.65	6.07	1.67	6.41	1.70		
						33	4.86	1.60	5.17	1.63	5.41	1.66	5.54	1.67	5.69	1.69	5.99	1.71	6.34	1.74		
						35	4.86	1.64	5.07	1.67	5.32	1.70	5.50	1.71	5.61	1.73	5.92	1.75	6.28	1.78		
						37	4.86	1.69	4.98	1.71	5.24	1.74	5.38	1.76	5.53	1.77	5.86	1.79	6.23	1.82		
						39	4.86	1.73	4.90	1.76	5.17	1.78	5.31	1.80	5.47	1.81	5.81	1.84	6.18	1.86		
42	4.86	1.79	4.79	1.82	5.07	1.85	5.22	1.86	5.39	1.88	5.74	1.90	6.13	1.93								
44	4.86	1.84	4.72	1.87	5.02	1.89	5.17	1.91	5.34	1.92	5.70	1.95	6.10	1.97								
46	4.86	1.88	4.67	1.91	4.97	1.94	5.13	1.95	5.30	1.97	5.68	1.99	6.08	2.01								

# 12. Capacity Table

## 12-6. AJ080MCJ4EH/EU

### COOLING

Combination (Capacity Index)				Combination (Total)	Combination (%)	Outdoor Temperature (°C, DB)	Indoor Temperature (°C, WB)													
							14		16		18		19		20		22		24	
							TC(kW)	PI(kW)	TC(kW)	PI(kW)	TC(kW)	PI(kW)	TC(kW)	PI(kW)	TC(kW)	PI(kW)	TC(kW)	PI(kW)	TC(kW)	PI(kW)
2000	5000			7000	88%	10	6.36	1.57	8.98	1.61	9.15	1.65	9.25	1.67	9.36	1.69	9.62	1.72	9.93	1.76
						12	6.36	1.61	8.73	1.65	8.91	1.69	9.02	1.71	9.14	1.73	9.42	1.76	9.74	1.80
						14	6.36	1.65	8.50	1.69	8.69	1.73	8.81	1.75	8.93	1.77	9.22	1.80	9.55	1.84
						16	6.36	1.70	8.27	1.74	8.48	1.77	8.60	1.79	8.73	1.81	9.03	1.85	9.38	1.88
						18	6.36	1.74	8.06	1.78	8.28	1.82	8.41	1.83	8.54	1.85	8.86	1.89	9.21	1.92
						20	6.36	1.78	7.85	1.82	8.09	1.86	8.22	1.88	8.36	1.90	8.69	1.93	9.06	1.97
						21	6.36	1.81	7.76	1.84	7.99	1.88	8.13	1.90	8.28	1.92	8.61	1.95	8.98	1.99
						23	6.36	1.85	7.57	1.89	7.82	1.93	7.96	1.95	8.11	1.96	8.46	2.00	8.85	2.03
						25	6.36	1.90	7.39	1.94	7.65	1.98	7.80	1.99	7.96	2.01	8.32	2.05	8.72	2.08
						27	6.36	1.95	7.22	1.99	7.49	2.02	7.65	2.04	7.82	2.06	8.18	2.09	8.60	2.13
						29	6.36	2.00	7.06	2.04	7.35	2.07	7.51	2.09	7.68	2.11	8.06	2.14	8.49	2.18
						31	6.36	2.05	6.91	2.09	7.21	2.12	7.38	2.14	7.56	2.16	7.95	2.19	8.39	2.23
						33	6.36	2.10	6.77	2.14	7.08	2.17	7.26	2.19	7.44	2.21	7.85	2.24	8.30	2.28
						35	6.36	2.15	6.64	2.19	6.97	2.23	7.20	2.24	7.34	2.26	7.76	2.30	8.22	2.33
						37	6.36	2.21	6.52	2.25	6.86	2.28	7.05	2.30	7.24	2.32	7.67	2.35	8.15	2.38
						39	6.36	2.26	6.41	2.30	6.76	2.34	6.96	2.35	7.16	2.37	7.60	2.41	8.09	2.44
42	6.36	2.35	6.27	2.39	6.64	2.42	6.84	2.44	7.05	2.46	7.51	2.49	8.02	2.52						
44	6.36	2.41	6.18	2.44	6.57	2.48	6.77	2.50	6.99	2.52	7.47	2.55	7.99	2.58						
46	6.36	2.47	6.11	2.50	6.50	2.54	6.72	2.56	6.94	2.57	7.43	2.61	7.96	2.64						
2000	6800			8800	110%	10	6.36	1.57	9.29	1.69	9.46	1.73	9.57	1.75	9.69	1.77	9.96	1.81	10.28	1.85
						12	6.36	1.61	9.03	1.73	9.22	1.77	9.34	1.79	9.46	1.81	9.74	1.85	10.07	1.89
						14	6.36	1.65	8.79	1.78	8.99	1.82	9.11	1.84	9.24	1.86	9.54	1.89	9.88	1.93
						16	6.36	1.70	8.56	1.82	8.77	1.86	8.90	1.88	9.04	1.90	9.35	1.94	9.70	1.97
						18	6.36	1.74	8.34	1.87	8.57	1.91	8.70	1.92	8.84	1.94	9.16	1.98	9.53	2.02
						20	6.36	1.78	8.13	1.91	8.37	1.95	8.51	1.97	8.66	1.99	8.99	2.03	9.37	2.06
						21	6.36	1.81	8.03	1.94	8.27	1.97	8.41	1.99	8.57	2.01	8.91	2.05	9.30	2.08
						23	6.36	1.85	7.83	1.98	8.09	2.02	8.24	2.04	8.40	2.06	8.75	2.10	9.15	2.13
						25	6.36	1.90	7.64	2.03	7.92	2.07	8.07	2.09	8.24	2.11	8.60	2.15	9.02	2.18
						27	6.36	1.95	7.47	2.08	7.75	2.12	7.91	2.14	8.09	2.16	8.47	2.20	8.90	2.23
						29	6.36	2.00	7.30	2.14	7.60	2.17	7.77	2.19	7.95	2.21	8.34	2.25	8.78	2.28
						31	6.36	2.05	7.15	2.19	7.46	2.23	7.63	2.25	7.82	2.26	8.23	2.30	8.68	2.34
						33	6.36	2.10	7.01	2.24	7.33	2.28	7.51	2.30	7.70	2.32	8.12	2.35	8.59	2.39
						35	6.36	2.15	6.87	2.30	7.21	2.34	7.45	2.35	7.59	2.37	8.02	2.41	8.50	2.44
						37	6.36	2.21	6.75	2.36	7.10	2.39	7.29	2.41	7.50	2.43	7.94	2.47	8.43	2.50
						39	6.36	2.26	6.64	2.41	7.00	2.45	7.20	2.47	7.41	2.49	7.87	2.52	8.37	2.56
42	6.36	2.35	6.49	2.50	6.87	2.54	7.08	2.56	7.30	2.58	7.77	2.61	8.30	2.65						
44	6.36	2.41	6.40	2.56	6.79	2.60	7.01	2.62	7.24	2.64	7.73	2.67	8.26	2.71						
46	6.36	2.47	6.32	2.63	6.73	2.66	6.95	2.68	7.19	2.70	7.69	2.74	8.24	2.77						

# 12. Capacity Table

## 12-6. AJ080MCJ4EH/EU

### COOLING

Combination (Capacity Index)				Combination (Total)	Combination (%)	Outdoor Temperature (°C, DB)	Indoor Temperature (°C, WB)															
							14		16		18		19		20		22		24			
							TC(kW)	PI(kW)	TC(kW)	PI(kW)	TC(kW)	PI(kW)	TC(kW)	PI(kW)	TC(kW)	PI(kW)	TC(kW)	PI(kW)	TC(kW)	PI(kW)		
2500	2500			5000	63%	10	4.60	1.17	6.48	1.20	6.61	1.22	6.68	1.24	6.76	1.25	6.95	1.28	7.17	1.30		
						12	4.60	1.20	6.31	1.22	6.44	1.25	6.52	1.27	6.60	1.28	6.80	1.31	7.03	1.33		
						14	4.60	1.23	6.14	1.25	6.28	1.28	6.36	1.30	6.45	1.31	6.66	1.34	6.90	1.36		
						16	4.60	1.26	5.97	1.29	6.12	1.31	6.21	1.33	6.31	1.34	6.52	1.37	6.77	1.39		
						18	4.60	1.29	5.82	1.32	5.98	1.35	6.07	1.36	6.17	1.37	6.40	1.40	6.65	1.42		
						20	4.60	1.32	5.67	1.35	5.84	1.38	5.94	1.39	6.04	1.41	6.28	1.43	6.54	1.46		
						21	4.60	1.34	5.60	1.37	5.77	1.39	5.87	1.41	5.98	1.42	6.22	1.45	6.49	1.47		
						23	4.60	1.37	5.47	1.40	5.65	1.43	5.75	1.44	5.86	1.46	6.11	1.48	6.39	1.51		
						25	4.60	1.41	5.34	1.44	5.53	1.46	5.63	1.48	5.75	1.49	6.01	1.52	6.29	1.54		
						27	4.60	1.44	5.21	1.47	5.41	1.50	5.52	1.51	5.64	1.53	5.91	1.55	6.21	1.58		
						29	4.60	1.48	5.10	1.51	5.31	1.54	5.42	1.55	5.55	1.56	5.82	1.59	6.13	1.61		
						31	4.60	1.52	4.99	1.55	5.21	1.57	5.33	1.59	5.46	1.60	5.74	1.63	6.06	1.65		
						33	4.60	1.56	4.89	1.58	5.12	1.61	5.24	1.62	5.38	1.64	5.67	1.66	5.99	1.69		
						35	4.60	1.60	4.80	1.62	5.03	1.65	5.20	1.66	5.30	1.68	5.60	1.70	5.94	1.73		
						37	4.60	1.64	4.71	1.66	4.95	1.69	5.09	1.70	5.23	1.72	5.54	1.74	5.89	1.77		
						39	4.60	1.68	4.63	1.71	4.89	1.73	5.02	1.74	5.17	1.76	5.49	1.78	5.84	1.81		
42	4.60	1.74	4.53	1.77	4.79	1.80	4.94	1.81	5.09	1.82	5.43	1.85	5.79	1.87								
44	4.60	1.78	4.47	1.81	4.74	1.84	4.89	1.85	5.05	1.86	5.39	1.89	5.77	1.91								
46	4.60	1.83	4.41	1.86	4.70	1.88	4.85	1.90	5.02	1.91	5.37	1.93	5.75	1.96								
2500	3500			6000	75%	10	5.39	1.33	7.60	1.37	7.75	1.40	7.83	1.42	7.93	1.43	8.15	1.46	8.41	1.49		
						12	5.39	1.37	7.40	1.40	7.55	1.43	7.64	1.45	7.75	1.47	7.98	1.50	8.25	1.53		
						14	5.39	1.40	7.20	1.44	7.36	1.47	7.46	1.48	7.57	1.50	7.81	1.53	8.09	1.56		
						16	5.39	1.44	7.01	1.47	7.18	1.50	7.29	1.52	7.40	1.54	7.65	1.57	7.94	1.59		
						18	5.39	1.47	6.83	1.51	7.01	1.54	7.12	1.56	7.24	1.57	7.50	1.60	7.81	1.63		
						20	5.39	1.51	6.65	1.55	6.85	1.58	6.96	1.59	7.09	1.61	7.36	1.64	7.67	1.67		
						21	5.39	1.53	6.57	1.56	6.77	1.60	6.89	1.61	7.01	1.63	7.29	1.66	7.61	1.69		
						23	5.39	1.57	6.41	1.60	6.62	1.64	6.74	1.65	6.87	1.67	7.16	1.70	7.49	1.72		
						25	5.39	1.61	6.26	1.64	6.48	1.68	6.61	1.69	6.74	1.71	7.04	1.74	7.38	1.76		
						27	5.39	1.65	6.12	1.68	6.35	1.72	6.48	1.73	6.62	1.75	6.93	1.78	7.28	1.80		
						29	5.39	1.69	5.98	1.73	6.22	1.76	6.36	1.77	6.51	1.79	6.83	1.82	7.19	1.85		
						31	5.39	1.74	5.85	1.77	6.11	1.80	6.25	1.82	6.40	1.83	6.73	1.86	7.11	1.89		
						33	5.39	1.78	5.74	1.81	6.00	1.84	6.15	1.86	6.31	1.87	6.65	1.90	7.03	1.93		
						35	5.39	1.83	5.63	1.86	5.90	1.89	6.10	1.90	6.22	1.92	6.57	1.95	6.96	1.98		
						37	5.39	1.87	5.53	1.90	5.81	1.94	5.97	1.95	6.14	1.97	6.50	1.99	6.90	2.02		
						39	5.39	1.92	5.43	1.95	5.73	1.98	5.89	2.00	6.07	2.01	6.44	2.04	6.85	2.07		
42	5.39	1.99	5.31	2.02	5.62	2.05	5.79	2.07	5.97	2.08	6.37	2.11	6.79	2.14								
44	5.39	2.04	5.24	2.07	5.56	2.10	5.74	2.12	5.92	2.13	6.33	2.16	6.77	2.19								
46	5.39	2.09	5.18	2.12	5.51	2.15	5.69	2.17	5.88	2.18	6.29	2.21	6.74	2.24								

# 12. Capacity Table

## 12-6. AJ080MCJ4EH/EU

### COOLING

Combination (Capacity Index)				Combination (Total)	Combination (%)	Outdoor Temperature (°C, DB)	Indoor Temperature (°C, WB)													
							14		16		18		19		20		22		24	
							TC(kW)	PI(kW)	TC(kW)	PI(kW)	TC(kW)	PI(kW)	TC(kW)	PI(kW)	TC(kW)	PI(kW)	TC(kW)	PI(kW)	TC(kW)	PI(kW)
2500	5000			7500	94%	10	6.36	1.57	8.98	1.61	9.15	1.65	9.25	1.67	9.36	1.69	9.62	1.72	9.93	1.76
						12	6.36	1.61	8.73	1.65	8.91	1.69	9.02	1.71	9.14	1.73	9.42	1.76	9.74	1.80
						14	6.36	1.65	8.50	1.69	8.69	1.73	8.81	1.75	8.93	1.77	9.22	1.80	9.55	1.84
						16	6.36	1.70	8.27	1.74	8.48	1.77	8.60	1.79	8.73	1.81	9.03	1.85	9.38	1.88
						18	6.36	1.74	8.06	1.78	8.28	1.82	8.41	1.83	8.54	1.85	8.86	1.89	9.21	1.92
						20	6.36	1.78	7.85	1.82	8.09	1.86	8.22	1.88	8.36	1.90	8.69	1.93	9.06	1.97
						21	6.36	1.81	7.76	1.84	7.99	1.88	8.13	1.90	8.28	1.92	8.61	1.95	8.98	1.99
						23	6.36	1.85	7.57	1.89	7.82	1.93	7.96	1.95	8.11	1.96	8.46	2.00	8.85	2.03
						25	6.36	1.90	7.39	1.94	7.65	1.98	7.80	1.99	7.96	2.01	8.32	2.05	8.72	2.08
						27	6.36	1.95	7.22	1.99	7.49	2.02	7.65	2.04	7.82	2.06	8.18	2.09	8.60	2.13
						29	6.36	2.00	7.06	2.04	7.35	2.07	7.51	2.09	7.68	2.11	8.06	2.14	8.49	2.18
						31	6.36	2.05	6.91	2.09	7.21	2.12	7.38	2.14	7.56	2.16	7.95	2.19	8.39	2.23
						33	6.36	2.10	6.77	2.14	7.08	2.17	7.26	2.19	7.44	2.21	7.85	2.24	8.30	2.28
						35	6.36	2.15	6.64	2.19	6.97	2.23	7.20	2.24	7.34	2.26	7.76	2.30	8.22	2.33
						37	6.36	2.21	6.52	2.25	6.86	2.28	7.05	2.30	7.24	2.32	7.67	2.35	8.15	2.38
						39	6.36	2.26	6.41	2.30	6.76	2.34	6.96	2.35	7.16	2.37	7.60	2.41	8.09	2.44
42	6.36	2.35	6.27	2.39	6.64	2.42	6.84	2.44	7.05	2.46	7.51	2.49	8.02	2.52						
44	6.36	2.41	6.18	2.44	6.57	2.48	6.77	2.50	6.99	2.52	7.47	2.55	7.99	2.58						
46	6.36	2.47	6.11	2.50	6.50	2.54	6.72	2.56	6.94	2.57	7.43	2.61	7.96	2.64						
2500	6800			9300	116%	10	6.36	1.57	9.41	1.71	9.59	1.76	9.70	1.78	9.82	1.79	10.09	1.83	10.41	1.87
						12	6.36	1.61	9.16	1.76	9.35	1.80	9.46	1.82	9.59	1.84	9.87	1.87	10.21	1.91
						14	6.36	1.65	8.91	1.80	9.11	1.84	9.23	1.86	9.37	1.88	9.67	1.92	10.02	1.95
						16	6.36	1.70	8.68	1.84	8.89	1.88	9.02	1.90	9.16	1.92	9.47	1.96	9.83	2.00
						18	6.36	1.74	8.45	1.89	8.68	1.93	8.81	1.95	8.96	1.97	9.29	2.01	9.66	2.04
						20	6.36	1.78	8.24	1.94	8.48	1.98	8.62	2.00	8.77	2.01	9.11	2.05	9.50	2.09
						21	6.36	1.81	8.13	1.96	8.38	2.00	8.53	2.02	8.68	2.04	9.03	2.08	9.42	2.11
						23	6.36	1.85	7.93	2.01	8.20	2.05	8.35	2.07	8.51	2.09	8.87	2.12	9.28	2.16
						25	6.36	1.90	7.75	2.06	8.02	2.10	8.18	2.12	8.35	2.14	8.72	2.17	9.14	2.21
						27	6.36	1.95	7.57	2.11	7.86	2.15	8.02	2.17	8.20	2.19	8.58	2.22	9.01	2.26
						29	6.36	2.00	7.40	2.16	7.70	2.20	7.87	2.22	8.05	2.24	8.45	2.28	8.90	2.31
						31	6.36	2.05	7.25	2.22	7.56	2.26	7.74	2.27	7.92	2.29	8.34	2.33	8.80	2.36
						33	6.36	2.10	7.10	2.27	7.43	2.31	7.61	2.33	7.80	2.35	8.23	2.38	8.70	2.42
						35	6.36	2.15	6.97	2.33	7.31	2.37	7.55	2.38	7.70	2.40	8.13	2.44	8.62	2.47
						37	6.36	2.21	6.84	2.39	7.19	2.42	7.39	2.44	7.60	2.46	8.05	2.50	8.55	2.53
						39	6.36	2.26	6.73	2.44	7.09	2.48	7.29	2.50	7.51	2.52	7.97	2.56	8.48	2.59
42	6.36	2.35	6.57	2.54	6.96	2.57	7.17	2.59	7.40	2.61	7.88	2.65	8.41	2.68						
44	6.36	2.41	6.49	2.60	6.89	2.64	7.10	2.65	7.33	2.67	7.83	2.71	8.37	2.74						
46	6.36	2.47	6.41	2.66	6.82	2.70	7.05	2.72	7.28	2.74	7.79	2.77	8.35	2.80						

# 12. Capacity Table

## 12-6. AJ080MCJ4EH/EU

### COOLING

Combination (Capacity Index)				Combination (Total)	Combination (%)	Outdoor Temperature (°C, DB)	Indoor Temperature (°C, WB)															
							14		16		18		19		20		22		24			
							TC(kW)	PI(kW)	TC(kW)	PI(kW)	TC(kW)	PI(kW)	TC(kW)	PI(kW)	TC(kW)	PI(kW)	TC(kW)	PI(kW)	TC(kW)	PI(kW)		
3500	3500			7000	88%	10	6.19	1.75	8.73	1.79	8.89	1.84	8.99	1.86	9.10	1.88	9.36	1.92	9.66	1.96		
						12	6.19	1.79	8.49	1.84	8.67	1.88	8.77	1.90	8.89	1.92	9.15	1.96	9.47	2.00		
						14	6.19	1.84	8.26	1.88	8.45	1.92	8.56	1.95	8.68	1.97	8.96	2.01	9.29	2.04		
						16	6.19	1.89	8.04	1.93	8.24	1.97	8.36	1.99	8.49	2.01	8.78	2.05	9.12	2.09		
						18	6.19	1.93	7.83	1.98	8.05	2.02	8.17	2.04	8.31	2.06	8.61	2.10	8.96	2.14		
						20	6.19	1.98	7.64	2.03	7.86	2.07	7.99	2.09	8.13	2.11	8.45	2.15	8.81	2.18		
						21	6.19	2.01	7.54	2.05	7.77	2.09	7.90	2.11	8.05	2.13	8.37	2.17	8.74	2.21		
						23	6.19	2.06	7.36	2.10	7.60	2.14	7.74	2.16	7.89	2.18	8.22	2.22	8.60	2.26		
						25	6.19	2.11	7.18	2.15	7.44	2.20	7.58	2.22	7.74	2.24	8.08	2.27	8.47	2.31		
						27	6.19	2.16	7.02	2.21	7.29	2.25	7.44	2.27	7.60	2.29	7.96	2.33	8.36	2.36		
						29	6.19	2.22	6.86	2.26	7.14	2.30	7.30	2.32	7.47	2.34	7.84	2.38	8.25	2.42		
						31	6.19	2.28	6.72	2.32	7.01	2.36	7.17	2.38	7.35	2.40	7.73	2.44	8.15	2.47		
						33	6.19	2.33	6.58	2.38	6.89	2.42	7.06	2.44	7.24	2.46	7.63	2.49	8.07	2.53		
						35	6.19	2.39	6.46	2.44	6.77	2.48	7.00	2.49	7.13	2.52	7.54	2.55	7.99	2.59		
						37	6.19	2.45	6.34	2.50	6.67	2.54	6.85	2.56	7.04	2.58	7.46	2.61	7.92	2.65		
						39	6.19	2.52	6.24	2.56	6.58	2.60	6.76	2.62	6.96	2.64	7.39	2.67	7.87	2.71		
42	6.19	2.61	6.09	2.65	6.45	2.69	6.65	2.71	6.86	2.73	7.30	2.77	7.80	2.80								
44	6.19	2.68	6.01	2.72	6.38	2.76	6.59	2.78	6.80	2.80	7.26	2.83	7.76	2.87								
46	6.19	2.74	5.94	2.78	6.32	2.82	6.53	2.84	6.75	2.86	7.22	2.90	7.74	2.93								
3500	5000			8500	106%	10	6.50	1.61	9.16	1.65	9.34	1.69	9.44	1.71	9.56	1.73	9.82	1.76	10.14	1.80		
						12	6.50	1.65	8.91	1.69	9.10	1.73	9.21	1.75	9.33	1.77	9.61	1.80	9.94	1.84		
						14	6.50	1.69	8.67	1.73	8.87	1.77	8.99	1.79	9.12	1.81	9.41	1.84	9.75	1.88		
						16	6.50	1.73	8.45	1.77	8.66	1.81	8.78	1.83	8.92	1.85	9.22	1.89	9.57	1.92		
						18	6.50	1.78	8.23	1.82	8.45	1.86	8.58	1.88	8.72	1.89	9.04	1.93	9.40	1.96		
						20	6.50	1.82	8.02	1.86	8.26	1.90	8.39	1.92	8.54	1.94	8.87	1.97	9.25	2.01		
						21	6.50	1.85	7.92	1.89	8.16	1.92	8.30	1.94	8.45	1.96	8.79	2.00	9.17	2.03		
						23	6.50	1.89	7.72	1.93	7.98	1.97	8.13	1.99	8.28	2.01	8.63	2.04	9.03	2.08		
						25	6.50	1.94	7.54	1.98	7.81	2.02	7.96	2.04	8.13	2.06	8.49	2.09	8.90	2.13		
						27	6.50	1.99	7.37	2.03	7.65	2.07	7.81	2.09	7.98	2.11	8.35	2.14	8.78	2.17		
						29	6.50	2.04	7.21	2.08	7.50	2.12	7.67	2.14	7.84	2.16	8.23	2.19	8.66	2.22		
						31	6.50	2.09	7.05	2.13	7.36	2.17	7.53	2.19	7.71	2.21	8.12	2.24	8.56	2.28		
						33	6.50	2.15	6.91	2.19	7.23	2.22	7.41	2.24	7.60	2.26	8.01	2.29	8.47	2.33		
						35	6.50	2.20	6.78	2.24	7.11	2.28	7.35	2.29	7.49	2.31	7.92	2.35	8.39	2.38		
						37	6.50	2.26	6.66	2.30	7.00	2.33	7.19	2.35	7.40	2.37	7.83	2.40	8.32	2.44		
						39	6.50	2.31	6.55	2.35	6.90	2.39	7.10	2.41	7.31	2.42	7.76	2.46	8.26	2.49		
42	6.50	2.40	6.40	2.44	6.78	2.48	6.98	2.49	7.20	2.51	7.67	2.55	8.19	2.58								
44	6.50	2.46	6.31	2.50	6.70	2.54	6.92	2.55	7.14	2.57	7.62	2.61	8.15	2.64								
46	6.50	2.52	6.24	2.56	6.64	2.60	6.86	2.61	7.09	2.63	7.58	2.67	8.13	2.70								

# 12. Capacity Table

## 12-6. AJ080MCJ4EH/EU

### COOLING

Combination (Capacity Index)				Combination (Total)	Combination (%)	Outdoor Temperature (°C, DB)	Indoor Temperature (°C, WB)													
							14		16		18		19		20		22		24	
							TC(kW)	PI(kW)	TC(kW)	PI(kW)	TC(kW)	PI(kW)	TC(kW)	PI(kW)	TC(kW)	PI(kW)	TC(kW)	PI(kW)	TC(kW)	PI(kW)
3500	6800			10300	129%	10	6.50	1.61	9.60	1.73	9.78	1.77	9.89	1.79	10.01	1.81	10.29	1.85	10.62	1.89
						12	6.50	1.65	9.34	1.77	9.53	1.81	9.65	1.83	9.78	1.85	10.07	1.89	10.41	1.93
						14	6.50	1.69	9.09	1.81	9.30	1.86	9.42	1.88	9.55	1.89	9.86	1.93	10.22	1.97
						16	6.50	1.73	8.85	1.86	9.07	1.90	9.20	1.92	9.34	1.94	9.66	1.98	10.03	2.01
						18	6.50	1.78	8.62	1.91	8.85	1.95	8.99	1.97	9.14	1.98	9.47	2.02	9.85	2.06
						20	6.50	1.82	8.40	1.95	8.65	1.99	8.79	2.01	8.95	2.03	9.29	2.07	9.69	2.11
						21	6.50	1.85	8.29	1.98	8.55	2.02	8.70	2.04	8.85	2.06	9.21	2.09	9.61	2.13
						23	6.50	1.89	8.09	2.03	8.36	2.07	8.51	2.09	8.68	2.10	9.04	2.14	9.46	2.18
						25	6.50	1.94	7.90	2.08	8.18	2.12	8.34	2.14	8.51	2.15	8.89	2.19	9.32	2.23
						27	6.50	1.99	7.72	2.13	8.01	2.17	8.18	2.19	8.36	2.21	8.75	2.24	9.19	2.28
						29	6.50	2.04	7.55	2.18	7.86	2.22	8.03	2.24	8.21	2.26	8.62	2.30	9.08	2.33
						31	6.50	2.09	7.39	2.24	7.71	2.27	7.89	2.29	8.08	2.31	8.50	2.35	8.97	2.38
						33	6.50	2.15	7.24	2.29	7.58	2.33	7.76	2.35	7.96	2.37	8.39	2.40	8.87	2.44
						35	6.50	2.20	7.10	2.35	7.45	2.39	7.70	2.40	7.85	2.42	8.29	2.46	8.79	2.50
						37	6.50	2.26	6.98	2.41	7.34	2.44	7.54	2.46	7.75	2.48	8.21	2.52	8.72	2.55
						39	6.50	2.31	6.86	2.47	7.23	2.50	7.44	2.52	7.66	2.54	8.13	2.58	8.65	2.61
42	6.50	2.40	6.70	2.56	7.10	2.60	7.31	2.61	7.54	2.63	8.03	2.67	8.58	2.70						
44	6.50	2.46	6.61	2.62	7.02	2.66	7.24	2.68	7.48	2.69	7.98	2.73	8.54	2.76						
46	6.50	2.52	6.54	2.68	6.96	2.72	7.18	2.74	7.43	2.76	7.95	2.79	8.51	2.83						
5000	5000			10000	125%	10	8.61	1.67	8.95	1.71	9.29	1.74	9.47	1.76	9.64	1.78	10.00	1.81	10.36	1.85
						12	8.46	1.71	8.80	1.75	9.15	1.79	9.32	1.80	9.50	1.82	9.85	1.86	10.21	1.89
						14	8.31	1.76	8.65	1.80	9.00	1.83	9.17	1.85	9.35	1.87	9.70	1.90	10.06	1.94
						16	8.17	1.81	8.51	1.84	8.85	1.88	9.03	1.90	9.20	1.92	9.56	1.95	9.92	1.99
						18	8.02	1.85	8.36	1.89	8.70	1.93	8.88	1.95	9.05	1.96	9.41	2.00	9.77	2.04
						20	7.87	1.90	8.21	1.94	8.56	1.98	8.73	1.99	8.91	2.01	9.27	2.05	9.63	2.09
						21	7.80	1.93	8.14	1.96	8.48	2.00	8.66	2.02	8.84	2.04	9.19	2.07	9.56	2.11
						23	7.65	1.98	7.99	2.01	8.34	2.05	8.51	2.07	8.69	2.09	9.05	2.12	9.41	2.16
						25	7.50	2.03	7.84	2.06	8.19	2.10	8.37	2.12	8.55	2.14	8.90	2.18	9.27	2.21
						27	7.35	2.08	7.70	2.11	8.05	2.15	8.22	2.17	8.40	2.19	8.76	2.23	9.12	2.26
						29	7.21	2.13	7.55	2.17	7.90	2.20	8.08	2.22	8.26	2.24	8.62	2.28	8.98	2.32
						31	7.06	2.18	7.41	2.22	7.76	2.26	7.93	2.28	8.11	2.30	8.47	2.33	8.84	2.37
						33	6.92	2.23	7.26	2.27	7.61	2.31	7.79	2.33	7.97	2.35	8.33	2.39	8.70	2.43
						35	6.77	2.29	7.12	2.33	7.47	2.37	7.66	2.38	7.83	2.40	8.19	2.44	8.55	2.48
						37	6.63	2.34	6.97	2.38	7.32	2.42	7.50	2.44	7.68	2.46	8.04	2.50	8.41	2.54
						39	6.48	2.40	6.83	2.44	7.18	2.48	7.36	2.50	7.54	2.52	7.90	2.56	8.27	2.59
42	6.27	2.49	6.61	2.52	6.97	2.56	7.15	2.58	7.33	2.60	7.69	2.64	8.06	2.68						
44	6.12	2.54	6.47	2.58	6.83	2.62	7.00	2.64	7.19	2.66	7.55	2.70	7.92	2.74						
46	5.98	2.60	6.33	2.64	6.68	2.68	6.86	2.70	7.04	2.72	7.41	2.76	7.78	2.80						



# 12. Capacity Table

## 12-6. AJ080MCJ4EH/EU

### COOLING

Combination (Capacity Index)				Combination (Total)	Combination (%)	Outdoor Temperature (°C, DB)	Indoor Temperature (°C, WB)															
							14		16		18		19		20		22		24			
							TC(kW)	PI(kW)	TC(kW)	PI(kW)	TC(kW)	PI(kW)	TC(kW)	PI(kW)	TC(kW)	PI(kW)	TC(kW)	PI(kW)	TC(kW)	PI(kW)		
5000	6800			11800	148%	10	8.77	1.70	9.11	1.74	9.46	1.78	9.64	1.80	9.82	1.81	10.18	1.85	10.54	1.89		
						12	8.62	1.75	8.96	1.79	9.31	1.82	9.49	1.84	9.67	1.86	10.03	1.90	10.40	1.93		
						14	8.47	1.80	8.81	1.83	9.16	1.87	9.34	1.89	9.52	1.91	9.88	1.94	10.25	1.98		
						16	8.31	1.84	8.66	1.88	9.01	1.92	9.19	1.94	9.37	1.96	9.73	1.99	10.10	2.03		
						18	8.16	1.89	8.51	1.93	8.86	1.97	9.04	1.99	9.22	2.00	9.58	2.04	9.95	2.08		
						20	8.01	1.94	8.36	1.98	8.71	2.02	8.89	2.04	9.07	2.05	9.43	2.09	9.80	2.13		
						21	7.94	1.97	8.29	2.00	8.64	2.04	8.82	2.06	9.00	2.08	9.36	2.12	9.73	2.16		
						23	7.79	2.02	8.14	2.05	8.49	2.09	8.67	2.11	8.85	2.13	9.21	2.17	9.58	2.21		
						25	7.64	2.07	7.99	2.11	8.34	2.14	8.52	2.16	8.70	2.18	9.07	2.22	9.44	2.26		
						27	7.49	2.12	7.84	2.16	8.19	2.20	8.37	2.22	8.55	2.24	8.92	2.27	9.29	2.31		
						29	7.34	2.17	7.69	2.21	8.05	2.25	8.23	2.27	8.41	2.29	8.77	2.33	9.14	2.37		
						31	7.19	2.23	7.54	2.27	7.90	2.30	8.08	2.32	8.26	2.34	8.63	2.38	9.00	2.42		
						33	7.04	2.28	7.39	2.32	7.75	2.36	7.93	2.38	8.11	2.40	8.48	2.44	8.85	2.48		
						35	6.89	2.34	7.25	2.38	7.60	2.42	7.80	2.43	7.97	2.45	8.34	2.49	8.71	2.53		
						37	6.75	2.39	7.10	2.43	7.46	2.47	7.64	2.49	7.82	2.51	8.19	2.55	8.57	2.59		
						39	6.60	2.45	6.95	2.49	7.31	2.53	7.49	2.55	7.68	2.57	8.05	2.61	8.42	2.65		
42	6.38	2.54	6.73	2.58	7.10	2.62	7.28	2.64	7.46	2.66	7.83	2.70	8.21	2.74								
44	6.23	2.60	6.59	2.64	6.95	2.68	7.13	2.70	7.32	2.72	7.69	2.76	8.06	2.80								
46	6.09	2.66	6.44	2.70	6.81	2.74	6.99	2.76	7.17	2.78	7.54	2.82	7.92	2.86								
2000	2000	2000		6000	75%	10	5.30	1.30	7.48	1.33	7.62	1.36	7.71	1.38	7.80	1.40	8.02	1.42	8.28	1.45		
						12	5.30	1.33	7.28	1.37	7.43	1.40	7.52	1.41	7.62	1.43	7.85	1.46	8.11	1.49		
						14	5.30	1.37	7.08	1.40	7.24	1.43	7.34	1.45	7.44	1.46	7.68	1.49	7.96	1.52		
						16	5.30	1.40	6.89	1.43	7.07	1.46	7.17	1.48	7.28	1.49	7.53	1.52	7.81	1.55		
						18	5.30	1.44	6.72	1.47	6.90	1.50	7.00	1.52	7.12	1.53	7.38	1.56	7.68	1.59		
						20	5.30	1.47	6.55	1.50	6.74	1.54	6.85	1.55	6.97	1.57	7.24	1.60	7.55	1.62		
						21	5.30	1.49	6.46	1.52	6.66	1.55	6.78	1.57	6.90	1.58	7.17	1.61	7.49	1.64		
						23	5.30	1.53	6.31	1.56	6.51	1.59	6.63	1.61	6.76	1.62	7.05	1.65	7.37	1.68		
						25	5.30	1.57	6.16	1.60	6.38	1.63	6.50	1.65	6.63	1.66	6.93	1.69	7.26	1.72		
						27	5.30	1.61	6.02	1.64	6.25	1.67	6.37	1.69	6.51	1.70	6.82	1.73	7.16	1.76		
						29	5.30	1.65	5.88	1.68	6.12	1.71	6.26	1.73	6.40	1.74	6.72	1.77	7.07	1.80		
						31	5.30	1.69	5.76	1.72	6.01	1.75	6.15	1.77	6.30	1.78	6.62	1.81	6.99	1.84		
						33	5.30	1.73	5.64	1.77	5.90	1.80	6.05	1.81	6.20	1.83	6.54	1.85	6.92	1.88		
						35	5.30	1.78	5.54	1.81	5.81	1.84	6.00	1.85	6.12	1.87	6.46	1.90	6.85	1.92		
						37	5.30	1.82	5.44	1.85	5.72	1.88	5.87	1.90	6.04	1.91	6.39	1.94	6.79	1.97		
						39	5.30	1.87	5.34	1.90	5.64	1.93	5.80	1.94	5.97	1.96	6.34	1.99	6.74	2.01		
42	5.30	1.94	5.22	1.97	5.53	2.00	5.70	2.01	5.88	2.03	6.26	2.06	6.68	2.08								
44	5.30	1.99	5.15	2.02	5.47	2.05	5.64	2.06	5.83	2.08	6.22	2.10	6.65	2.13								
46	5.30	2.04	5.09	2.07	5.42	2.10	5.60	2.11	5.79	2.13	6.19	2.15	6.63	2.18								

# 12. Capacity Table

## 12-6. AJ080MCJ4EH/EU

### COOLING

Combination (Capacity Index)			Combination (Total)	Combination (%)	Outdoor Temperature (°C, DB)	Indoor Temperature (°C, WB)													
						14		16		18		19		20		22		24	
						TC(kW)	PI(kW)	TC(kW)	PI(kW)	TC(kW)	PI(kW)	TC(kW)	PI(kW)	TC(kW)	PI(kW)	TC(kW)	PI(kW)	TC(kW)	PI(kW)
2000	2000	2500	6500	81%	10	5.83	1.41	8.23	1.44	8.38	1.47	8.48	1.49	8.58	1.51	8.82	1.54	9.10	1.57
					12	5.83	1.44	8.00	1.48	8.17	1.51	8.27	1.53	8.38	1.54	8.63	1.57	8.93	1.61
					14	5.83	1.48	7.79	1.51	7.97	1.55	8.07	1.56	8.19	1.58	8.45	1.61	8.76	1.64
					16	5.83	1.51	7.58	1.55	7.77	1.58	7.88	1.60	8.01	1.62	8.28	1.65	8.60	1.68
					18	5.83	1.55	7.39	1.59	7.59	1.62	7.70	1.64	7.83	1.65	8.12	1.69	8.45	1.72
					20	5.83	1.59	7.20	1.63	7.41	1.66	7.53	1.68	7.67	1.69	7.96	1.72	8.30	1.75
					21	5.83	1.61	7.11	1.65	7.33	1.68	7.45	1.70	7.59	1.71	7.89	1.74	8.24	1.77
					23	5.83	1.65	6.94	1.69	7.17	1.72	7.30	1.74	7.44	1.75	7.75	1.78	8.11	1.81
					25	5.83	1.70	6.77	1.73	7.01	1.76	7.15	1.78	7.30	1.80	7.62	1.83	7.99	1.86
					27	5.83	1.74	6.62	1.77	6.87	1.81	7.01	1.82	7.16	1.84	7.50	1.87	7.88	1.90
					29	5.83	1.78	6.47	1.82	6.74	1.85	6.88	1.87	7.04	1.88	7.39	1.91	7.78	1.94
					31	5.83	1.83	6.33	1.86	6.61	1.90	6.76	1.91	6.93	1.93	7.29	1.96	7.69	1.99
					33	5.83	1.87	6.21	1.91	6.49	1.94	6.65	1.96	6.82	1.97	7.19	2.00	7.61	2.03
					35	5.83	1.92	6.09	1.96	6.39	1.99	6.60	2.00	6.73	2.02	7.11	2.05	7.53	2.08
					37	5.83	1.97	5.98	2.00	6.29	2.04	6.46	2.05	6.64	2.07	7.03	2.10	7.47	2.13
					39	5.83	2.02	5.88	2.05	6.20	2.09	6.38	2.10	6.56	2.12	6.97	2.15	7.42	2.18
42	5.83	2.10	5.75	2.13	6.08	2.16	6.27	2.18	6.46	2.19	6.89	2.22	7.35	2.25					
44	5.83	2.15	5.67	2.18	6.02	2.21	6.21	2.23	6.41	2.25	6.84	2.28	7.32	2.30					
46	5.83	2.20	5.60	2.24	5.96	2.27	6.16	2.28	6.37	2.30	6.81	2.33	7.30	2.36					
2000	2000	3500	7500	94%	10	6.63	1.56	9.35	1.60	9.53	1.64	9.63	1.66	9.75	1.67	10.02	1.71	10.34	1.74
					12	6.63	1.60	9.10	1.64	9.29	1.68	9.40	1.69	9.52	1.71	9.81	1.75	10.14	1.78
					14	6.63	1.64	8.85	1.68	9.05	1.72	9.17	1.73	9.30	1.75	9.60	1.79	9.95	1.82
					16	6.63	1.68	8.62	1.72	8.83	1.76	8.96	1.78	9.10	1.79	9.41	1.83	9.77	1.86
					18	6.63	1.72	8.39	1.76	8.62	1.80	8.76	1.82	8.90	1.84	9.22	1.87	9.60	1.90
					20	6.63	1.77	8.18	1.81	8.42	1.84	8.56	1.86	8.71	1.88	9.05	1.91	9.44	1.95
					21	6.63	1.79	8.08	1.83	8.33	1.87	8.47	1.88	8.62	1.90	8.97	1.94	9.36	1.97
					23	6.63	1.84	7.88	1.87	8.14	1.91	8.29	1.93	8.45	1.95	8.81	1.98	9.21	2.01
					25	6.63	1.88	7.70	1.92	7.97	1.96	8.12	1.98	8.29	1.99	8.66	2.03	9.08	2.06
					27	6.63	1.93	7.52	1.97	7.81	2.01	7.97	2.02	8.14	2.04	8.52	2.07	8.95	2.11
					29	6.63	1.98	7.35	2.02	7.65	2.05	7.82	2.07	8.00	2.09	8.40	2.12	8.84	2.16
					31	6.63	2.03	7.20	2.07	7.51	2.10	7.69	2.12	7.87	2.14	8.28	2.17	8.74	2.21
					33	6.63	2.08	7.05	2.12	7.38	2.16	7.56	2.17	7.75	2.19	8.17	2.22	8.64	2.26
					35	6.63	2.13	6.92	2.17	7.26	2.21	7.50	2.22	7.64	2.24	8.08	2.28	8.56	2.31
					37	6.63	2.19	6.79	2.23	7.15	2.26	7.34	2.28	7.55	2.30	7.99	2.33	8.49	2.36
					39	6.63	2.24	6.68	2.28	7.05	2.32	7.25	2.33	7.46	2.35	7.92	2.38	8.43	2.42
42	6.63	2.33	6.53	2.36	6.91	2.40	7.12	2.42	7.35	2.43	7.83	2.47	8.35	2.50					
44	6.63	2.39	6.44	2.42	6.84	2.46	7.06	2.48	7.28	2.49	7.78	2.53	8.32	2.56					
46	6.63	2.45	6.37	2.48	6.78	2.52	7.00	2.53	7.23	2.55	7.74	2.58	8.29	2.62					

# 12. Capacity Table

## 12-6. AJ080MCJ4EH/EU

### COOLING

Combination (Capacity Index)				Combination (Total)	Combination (%)	Outdoor Temperature (°C, DB)	Indoor Temperature (°C, WB)															
							14		16		18		19		20		22		24			
							TC(kW)	PI(kW)	TC(kW)	PI(kW)	TC(kW)	PI(kW)	TC(kW)	PI(kW)	TC(kW)	PI(kW)	TC(kW)	PI(kW)	TC(kW)	PI(kW)		
2000	2000	5000		9000	113%	10	8.60	1.54	8.94	1.57	9.28	1.60	9.46	1.62	9.63	1.63	9.98	1.67	10.34	1.70		
						12	8.45	1.58	8.79	1.61	9.13	1.64	9.31	1.66	9.48	1.68	9.84	1.71	10.20	1.74		
						14	8.30	1.62	8.64	1.65	8.99	1.69	9.16	1.70	9.34	1.72	9.69	1.75	10.05	1.79		
						16	8.15	1.66	8.49	1.70	8.84	1.73	9.01	1.75	9.19	1.76	9.54	1.80	9.90	1.83		
						18	8.01	1.71	8.35	1.74	8.69	1.77	8.87	1.79	9.04	1.81	9.40	1.84	9.76	1.87		
						20	7.86	1.75	8.20	1.78	8.55	1.82	8.72	1.83	8.90	1.85	9.25	1.89	9.61	1.92		
						21	7.78	1.77	8.13	1.81	8.47	1.84	8.65	1.86	8.82	1.87	9.18	1.91	9.54	1.94		
						23	7.64	1.82	7.98	1.85	8.33	1.89	8.50	1.90	8.68	1.92	9.04	1.95	9.40	1.99		
						25	7.49	1.86	7.83	1.90	8.18	1.93	8.36	1.95	8.53	1.97	8.89	2.00	9.26	2.04		
						27	7.34	1.91	7.69	1.95	8.04	1.98	8.21	2.00	8.39	2.01	8.75	2.05	9.11	2.08		
						29	7.20	1.96	7.54	1.99	7.89	2.03	8.07	2.05	8.25	2.06	8.60	2.10	8.97	2.13		
						31	7.05	2.01	7.40	2.04	7.75	2.08	7.92	2.09	8.10	2.11	8.46	2.15	8.83	2.18		
						33	6.91	2.06	7.25	2.09	7.60	2.13	7.78	2.14	7.96	2.16	8.32	2.20	8.68	2.23		
						35	6.76	2.11	7.11	2.14	7.46	2.18	7.65	2.19	7.81	2.21	8.18	2.25	8.54	2.28		
						37	6.62	2.16	6.96	2.19	7.32	2.23	7.49	2.25	7.67	2.26	8.03	2.30	8.40	2.34		
						39	6.47	2.21	6.82	2.24	7.17	2.28	7.35	2.30	7.53	2.32	7.89	2.35	8.26	2.39		
42	6.26	2.29	6.61	2.32	6.96	2.36	7.14	2.38	7.32	2.40	7.68	2.43	8.05	2.47								
44	6.11	2.34	6.46	2.38	6.82	2.41	7.00	2.43	7.18	2.45	7.54	2.49	7.91	2.52								
46	5.97	2.39	6.32	2.43	6.67	2.47	6.85	2.49	7.03	2.50	7.40	2.54	7.77	2.58								
2000	2000	6800		10800	135%	10	8.60	1.54	9.35	1.63	9.71	1.66	9.89	1.68	10.07	1.69	10.44	1.73	10.81	1.76		
						12	8.45	1.58	9.19	1.67	9.55	1.70	9.73	1.72	9.92	1.74	10.29	1.77	10.66	1.81		
						14	8.30	1.62	9.04	1.71	9.40	1.75	9.58	1.76	9.76	1.78	10.13	1.82	10.51	1.85		
						16	8.15	1.66	8.88	1.76	9.24	1.79	9.43	1.81	9.61	1.83	9.98	1.86	10.36	1.90		
						18	8.01	1.71	8.73	1.80	9.09	1.84	9.27	1.86	9.46	1.87	9.83	1.91	10.21	1.94		
						20	7.86	1.75	8.57	1.85	8.94	1.88	9.12	1.90	9.30	1.92	9.68	1.95	10.05	1.99		
						21	7.78	1.77	8.50	1.87	8.86	1.91	9.04	1.93	9.23	1.94	9.60	1.98	9.98	2.01		
						23	7.64	1.82	8.34	1.92	8.71	1.95	8.89	1.97	9.08	1.99	9.45	2.03	9.83	2.06		
						25	7.49	1.86	8.19	1.97	8.56	2.00	8.74	2.02	8.92	2.04	9.30	2.07	9.68	2.11		
						27	7.34	1.91	8.04	2.02	8.40	2.05	8.59	2.07	8.77	2.09	9.15	2.12	9.53	2.16		
						29	7.20	1.96	7.89	2.07	8.25	2.10	8.44	2.12	8.62	2.14	9.00	2.17	9.38	2.21		
						31	7.05	2.01	7.74	2.12	8.10	2.15	8.29	2.17	8.47	2.19	8.85	2.23	9.23	2.26		
						33	6.91	2.06	7.58	2.17	7.95	2.20	8.14	2.22	8.32	2.24	8.70	2.28	9.08	2.31		
						35	6.76	2.11	7.43	2.22	7.80	2.26	8.00	2.27	8.17	2.29	8.55	2.33	8.93	2.37		
						37	6.62	2.16	7.28	2.27	7.65	2.31	7.84	2.33	8.02	2.35	8.40	2.38	8.79	2.42		
						39	6.47	2.21	7.13	2.33	7.50	2.36	7.69	2.38	7.87	2.40	8.25	2.44	8.64	2.48		
42	6.26	2.29	6.91	2.41	7.28	2.45	7.46	2.46	7.65	2.48	8.03	2.52	8.42	2.56								
44	6.11	2.34	6.76	2.46	7.13	2.50	7.32	2.52	7.50	2.54	7.88	2.58	8.27	2.61								
46	5.97	2.39	6.61	2.52	6.98	2.56	7.17	2.58	7.36	2.60	7.74	2.63	8.12	2.67								

# 12. Capacity Table

## 12-6. AJ080MCJ4EH/EU

### COOLING

Combination (Capacity Index)			Combination (Total)	Combination (%)	Outdoor Temperature (°C, DB)	Indoor Temperature (°C, WB)													
						14		16		18		19		20		22		24	
						TC(kW)	PI(kW)	TC(kW)	PI(kW)	TC(kW)	PI(kW)	TC(kW)	PI(kW)	TC(kW)	PI(kW)	TC(kW)	PI(kW)	TC(kW)	PI(kW)
2000	2500	2500	7000	88%	10	6.36	1.51	8.98	1.55	9.15	1.59	9.25	1.60	9.36	1.62	9.62	1.66	9.93	1.69
					12	6.36	1.55	8.73	1.59	8.91	1.62	9.02	1.64	9.14	1.66	9.42	1.69	9.74	1.73
					14	6.36	1.59	8.50	1.63	8.69	1.66	8.81	1.68	8.93	1.70	9.22	1.73	9.55	1.76
					16	6.36	1.63	8.27	1.67	8.48	1.70	8.60	1.72	8.73	1.74	9.03	1.77	9.38	1.80
					18	6.36	1.67	8.06	1.71	8.28	1.74	8.41	1.76	8.54	1.78	8.86	1.81	9.21	1.84
					20	6.36	1.71	7.85	1.75	8.09	1.79	8.22	1.80	8.36	1.82	8.69	1.85	9.06	1.89
					21	6.36	1.73	7.76	1.77	7.99	1.81	8.13	1.82	8.28	1.84	8.61	1.88	8.98	1.91
					23	6.36	1.78	7.57	1.81	7.82	1.85	7.96	1.87	8.11	1.89	8.46	1.92	8.85	1.95
					25	6.36	1.82	7.39	1.86	7.65	1.90	7.80	1.91	7.96	1.93	8.32	1.96	8.72	2.00
					27	6.36	1.87	7.22	1.91	7.49	1.94	7.65	1.96	7.82	1.98	8.18	2.01	8.60	2.04
					29	6.36	1.92	7.06	1.95	7.35	1.99	7.51	2.01	7.68	2.02	8.06	2.06	8.49	2.09
					31	6.36	1.97	6.91	2.00	7.21	2.04	7.38	2.05	7.56	2.07	7.95	2.10	8.39	2.14
					33	6.36	2.02	6.77	2.05	7.08	2.09	7.26	2.10	7.44	2.12	7.85	2.15	8.30	2.19
					35	6.36	2.07	6.64	2.10	6.97	2.14	7.20	2.15	7.34	2.15	7.76	2.20	8.22	2.24
					37	6.36	2.12	6.52	2.16	6.86	2.19	7.05	2.21	7.24	2.22	7.67	2.26	8.15	2.29
					39	6.36	2.17	6.41	2.21	6.76	2.24	6.96	2.26	7.16	2.28	7.60	2.31	8.09	2.34
42	6.36	2.25	6.27	2.29	6.64	2.32	6.84	2.34	7.05	2.36	7.51	2.39	8.02	2.42					
44	6.36	2.31	6.18	2.35	6.57	2.38	6.77	2.40	6.99	2.41	7.47	2.45	7.99	2.48					
46	6.36	2.37	6.11	2.40	6.50	2.44	6.72	2.45	6.94	2.47	7.43	2.50	7.96	2.53					
2000	2500	3500	8000	100%	10	8.49	1.51	8.82	1.54	9.16	1.57	9.33	1.59	9.50	1.61	9.85	1.64	10.21	1.67
					12	8.34	1.55	8.68	1.58	9.01	1.61	9.19	1.63	9.36	1.65	9.71	1.68	10.06	1.71
					14	8.19	1.59	8.53	1.62	8.87	1.66	9.04	1.67	9.21	1.69	9.56	1.72	9.92	1.75
					16	8.05	1.63	8.38	1.66	8.72	1.70	8.90	1.71	9.07	1.73	9.42	1.76	9.78	1.80
					18	7.90	1.67	8.24	1.71	8.58	1.74	8.75	1.76	8.92	1.77	9.28	1.81	9.63	1.84
					20	7.76	1.72	8.09	1.75	8.43	1.78	8.61	1.80	8.78	1.82	9.13	1.85	9.49	1.88
					21	7.68	1.74	8.02	1.77	8.36	1.81	8.53	1.82	8.71	1.84	9.06	1.87	9.42	1.91
					23	7.54	1.78	7.88	1.82	8.22	1.85	8.39	1.87	8.57	1.89	8.92	1.92	9.28	1.95
					25	7.39	1.83	7.73	1.86	8.07	1.90	8.25	1.91	8.42	1.93	8.78	1.96	9.13	2.00
					27	7.25	1.88	7.59	1.91	7.93	1.94	8.10	1.96	8.28	1.98	8.63	2.01	8.99	2.05
					29	7.10	1.92	7.44	1.96	7.79	1.99	7.96	2.01	8.14	2.03	8.49	2.06	8.85	2.09
					31	6.96	1.97	7.30	2.00	7.65	2.04	7.82	2.06	8.00	2.07	8.35	2.11	8.71	2.14
					33	6.82	2.02	7.16	2.05	7.50	2.09	7.68	2.11	7.85	2.12	8.21	2.16	8.57	2.19
					35	6.67	2.07	7.01	2.10	7.36	2.14	7.55	2.15	7.71	2.15	8.07	2.21	8.43	2.24
					37	6.53	2.12	6.87	2.15	7.22	2.19	7.40	2.20	7.57	2.22	7.93	2.26	8.29	2.29
					39	6.39	2.17	6.73	2.20	7.08	2.24	7.25	2.26	7.43	2.27	7.79	2.31	8.15	2.34
42	6.18	2.25	6.52	2.28	6.87	2.32	7.04	2.33	7.22	2.35	7.58	2.39	7.94	2.42					
44	6.03	2.30	6.38	2.33	6.73	2.37	6.90	2.39	7.08	2.40	7.44	2.44	7.81	2.48					
46	5.89	2.35	6.24	2.39	6.59	2.42	6.76	2.44	6.94	2.46	7.30	2.49	7.67	2.53					

# 12. Capacity Table

## 12-6. AJ080MCJ4EH/EU

### COOLING

Combination (Capacity Index)				Combination (Total)	Combination (%)	Outdoor Temperature (°C, DB)	Indoor Temperature (°C, WB)															
							14		16		18		19		20		22		24			
							TC(kW)	PI(kW)	TC(kW)	PI(kW)	TC(kW)	PI(kW)	TC(kW)	PI(kW)	TC(kW)	PI(kW)	TC(kW)	PI(kW)	TC(kW)	PI(kW)		
2000	2500	5000		9500	119%	10	8.67	1.54	9.01	1.57	9.36	1.60	9.53	1.62	9.71	1.63	10.06	1.67	10.42	1.70		
						12	8.52	1.58	8.86	1.61	9.21	1.64	9.38	1.66	9.56	1.68	9.91	1.71	10.28	1.74		
						14	8.37	1.62	8.71	1.65	9.06	1.69	9.23	1.70	9.41	1.72	9.77	1.75	10.13	1.79		
						16	8.22	1.66	8.56	1.70	8.91	1.73	9.08	1.75	9.26	1.76	9.62	1.80	9.98	1.83		
						18	8.07	1.71	8.41	1.74	8.76	1.77	8.94	1.79	9.11	1.81	9.47	1.84	9.84	1.87		
						20	7.92	1.75	8.26	1.78	8.61	1.82	8.79	1.83	8.97	1.85	9.33	1.89	9.69	1.92		
						21	7.85	1.77	8.19	1.81	8.54	1.84	8.72	1.86	8.89	1.87	9.25	1.91	9.62	1.94		
						23	7.70	1.82	8.04	1.85	8.39	1.89	8.57	1.90	8.75	1.92	9.11	1.95	9.47	1.99		
						25	7.55	1.86	7.89	1.90	8.25	1.93	8.42	1.95	8.60	1.97	8.96	2.00	9.33	2.04		
						27	7.40	1.91	7.75	1.95	8.10	1.98	8.28	2.00	8.46	2.01	8.82	2.05	9.18	2.08		
						29	7.25	1.96	7.60	1.99	7.95	2.03	8.13	2.05	8.31	2.06	8.67	2.10	9.04	2.13		
						31	7.11	2.01	7.45	2.04	7.81	2.08	7.99	2.09	8.16	2.11	8.53	2.15	8.90	2.18		
						33	6.96	2.06	7.31	2.09	7.66	2.13	7.84	2.14	8.02	2.16	8.38	2.20	8.75	2.23		
						35	6.81	2.11	7.16	2.14	7.52	2.18	7.71	2.19	7.88	2.21	8.24	2.25	8.61	2.28		
						37	6.67	2.16	7.02	2.19	7.37	2.23	7.55	2.25	7.73	2.26	8.10	2.30	8.47	2.34		
						39	6.52	2.21	6.87	2.24	7.23	2.28	7.41	2.30	7.59	2.32	7.95	2.35	8.32	2.39		
42	6.31	2.29	6.66	2.32	7.01	2.36	7.19	2.38	7.37	2.40	7.74	2.43	8.11	2.47								
44	6.16	2.34	6.51	2.38	6.87	2.41	7.05	2.43	7.23	2.45	7.60	2.49	7.97	2.52								
46	6.02	2.39	6.37	2.43	6.73	2.47	6.91	2.49	7.09	2.50	7.46	2.54	7.83	2.58								
2000	2500	6800		11300	141%	10	8.67	1.54	9.35	1.63	9.71	1.66	9.89	1.68	10.07	1.69	10.44	1.73	10.81	1.76		
						12	8.52	1.58	9.19	1.67	9.55	1.70	9.73	1.72	9.92	1.74	10.29	1.77	10.66	1.81		
						14	8.37	1.62	9.04	1.71	9.40	1.75	9.58	1.76	9.76	1.78	10.13	1.82	10.51	1.85		
						16	8.22	1.66	8.88	1.76	9.24	1.79	9.43	1.81	9.61	1.83	9.98	1.86	10.36	1.90		
						18	8.07	1.71	8.73	1.80	9.09	1.84	9.27	1.86	9.46	1.87	9.83	1.91	10.21	1.94		
						20	7.92	1.75	8.57	1.85	8.94	1.88	9.12	1.90	9.30	1.92	9.68	1.95	10.05	1.99		
						21	7.85	1.77	8.50	1.87	8.86	1.91	9.04	1.93	9.23	1.94	9.60	1.98	9.98	2.01		
						23	7.70	1.82	8.34	1.92	8.71	1.95	8.89	1.97	9.08	1.99	9.45	2.03	9.83	2.06		
						25	7.55	1.86	8.19	1.97	8.56	2.00	8.74	2.02	8.92	2.04	9.30	2.07	9.68	2.11		
						27	7.40	1.91	8.04	2.02	8.40	2.05	8.59	2.07	8.77	2.09	9.15	2.12	9.53	2.16		
						29	7.25	1.96	7.89	2.07	8.25	2.10	8.44	2.12	8.62	2.14	9.00	2.17	9.38	2.21		
						31	7.11	2.01	7.74	2.12	8.10	2.15	8.29	2.17	8.47	2.19	8.85	2.23	9.23	2.26		
						33	6.96	2.06	7.58	2.17	7.95	2.20	8.14	2.22	8.32	2.24	8.70	2.28	9.08	2.31		
						35	6.81	2.11	7.43	2.22	7.80	2.26	8.00	2.27	8.17	2.29	8.55	2.33	8.93	2.37		
						37	6.67	2.16	7.28	2.27	7.65	2.31	7.84	2.33	8.02	2.35	8.40	2.38	8.79	2.42		
						39	6.52	2.21	7.13	2.33	7.50	2.36	7.69	2.38	7.87	2.40	8.25	2.44	8.64	2.48		
42	6.31	2.29	6.91	2.41	7.28	2.45	7.46	2.46	7.65	2.48	8.03	2.52	8.42	2.56								
44	6.16	2.34	6.76	2.46	7.13	2.50	7.32	2.52	7.50	2.54	7.88	2.58	8.27	2.61								
46	6.02	2.39	6.61	2.52	6.98	2.56	7.17	2.58	7.36	2.60	7.74	2.63	8.12	2.67								

# 12. Capacity Table

## 12-6. AJ080MCJ4EH/EU

### COOLING

Combination (Capacity Index)			Combination (Total)	Combination (%)	Outdoor Temperature (°C, DB)	Indoor Temperature (°C, WB)													
						14		16		18		19		20		22		24	
						TC(kW)	PI(kW)	TC(kW)	PI(kW)	TC(kW)	PI(kW)	TC(kW)	PI(kW)	TC(kW)	PI(kW)	TC(kW)	PI(kW)	TC(kW)	PI(kW)
2000	3500	3500	9000	113%	10	8.59	1.54	8.93	1.57	9.27	1.60	9.44	1.62	9.62	1.63	9.97	1.67	10.33	1.70
					12	8.44	1.58	8.78	1.61	9.12	1.64	9.30	1.66	9.47	1.68	9.82	1.71	10.18	1.74
					14	8.29	1.62	8.63	1.65	8.97	1.69	9.15	1.70	9.32	1.72	9.68	1.75	10.04	1.79
					16	8.14	1.66	8.48	1.70	8.83	1.73	9.00	1.75	9.18	1.76	9.53	1.80	9.89	1.83
					18	8.00	1.71	8.34	1.74	8.68	1.77	8.86	1.79	9.03	1.81	9.39	1.84	9.75	1.87
					20	7.85	1.75	8.19	1.78	8.53	1.82	8.71	1.83	8.89	1.85	9.24	1.89	9.60	1.92
					21	7.77	1.77	8.12	1.81	8.46	1.84	8.64	1.86	8.81	1.87	9.17	1.91	9.53	1.94
					23	7.63	1.82	7.97	1.85	8.32	1.89	8.49	1.90	8.67	1.92	9.02	1.95	9.39	1.99
					25	7.48	1.86	7.82	1.90	8.17	1.93	8.35	1.95	8.52	1.97	8.88	2.00	9.24	2.04
					27	7.33	1.91	7.68	1.95	8.03	1.98	8.20	2.00	8.38	2.01	8.74	2.05	9.10	2.08
					29	7.19	1.96	7.53	1.99	7.88	2.03	8.06	2.05	8.23	2.06	8.59	2.10	8.96	2.13
					31	7.04	2.01	7.39	2.04	7.74	2.08	7.91	2.09	8.09	2.11	8.45	2.15	8.81	2.18
					33	6.90	2.06	7.24	2.09	7.59	2.13	7.77	2.14	7.95	2.16	8.31	2.20	8.67	2.23
					35	6.75	2.11	7.10	2.14	7.45	2.18	7.64	2.19	7.80	2.21	8.17	2.25	8.53	2.28
					37	6.61	2.16	6.95	2.19	7.31	2.23	7.48	2.25	7.66	2.26	8.02	2.30	8.39	2.34
					39	6.46	2.21	6.81	2.24	7.16	2.28	7.34	2.30	7.52	2.32	7.88	2.35	8.25	2.39
42	6.25	2.29	6.60	2.32	6.95	2.36	7.13	2.38	7.31	2.40	7.67	2.43	8.04	2.47					
44	6.11	2.34	6.45	2.38	6.81	2.41	6.99	2.43	7.17	2.45	7.53	2.49	7.90	2.52					
46	5.96	2.39	6.31	2.43	6.67	2.47	6.85	2.49	7.03	2.50	7.39	2.54	7.76	2.58					
2000	3500	5000	10500	131%	10	9.00	1.59	9.35	1.62	9.71	1.65	9.89	1.67	10.07	1.69	10.44	1.72	10.81	1.75
					12	8.84	1.63	9.19	1.66	9.55	1.70	9.73	1.71	9.92	1.73	10.29	1.76	10.66	1.80
					14	8.68	1.67	9.04	1.71	9.40	1.74	9.58	1.76	9.76	1.77	10.13	1.81	10.51	1.84
					16	8.53	1.72	8.88	1.75	9.24	1.78	9.43	1.80	9.61	1.82	9.98	1.85	10.36	1.89
					18	8.37	1.76	8.73	1.79	9.09	1.83	9.27	1.85	9.46	1.86	9.83	1.90	10.21	1.93
					20	8.22	1.81	8.57	1.84	8.94	1.88	9.12	1.89	9.30	1.91	9.68	1.95	10.05	1.98
					21	8.14	1.83	8.50	1.86	8.86	1.90	9.04	1.92	9.23	1.93	9.60	1.97	9.98	2.00
					23	7.99	1.88	8.34	1.91	8.71	1.95	8.89	1.96	9.08	1.98	9.45	2.02	9.83	2.05
					25	7.83	1.92	8.19	1.96	8.56	1.99	8.74	2.01	8.92	2.03	9.30	2.07	9.68	2.10
					27	7.68	1.97	8.04	2.01	8.40	2.04	8.59	2.06	8.77	2.08	9.15	2.11	9.53	2.15
					29	7.53	2.02	7.89	2.06	8.25	2.09	8.44	2.11	8.62	2.13	9.00	2.16	9.38	2.20
					31	7.37	2.07	7.74	2.11	8.10	2.14	8.29	2.16	8.47	2.18	8.85	2.22	9.23	2.25
					33	7.22	2.12	7.58	2.16	7.95	2.19	8.14	2.21	8.32	2.23	8.70	2.27	9.08	2.30
					35	7.07	2.17	7.43	2.21	7.80	2.25	8.00	2.26	8.17	2.28	8.55	2.32	8.93	2.36
					37	6.92	2.23	7.28	2.26	7.65	2.30	7.84	2.32	8.02	2.34	8.40	2.37	8.79	2.41
					39	6.77	2.28	7.13	2.32	7.50	2.35	7.69	2.37	7.87	2.39	8.25	2.43	8.64	2.46
42	6.54	2.36	6.91	2.40	7.28	2.43	7.46	2.45	7.65	2.47	8.03	2.51	8.42	2.55					
44	6.39	2.42	6.76	2.45	7.13	2.49	7.32	2.51	7.50	2.53	7.88	2.57	8.27	2.60					
46	6.24	2.47	6.61	2.51	6.98	2.55	7.17	2.57	7.36	2.58	7.74	2.62	8.12	2.66					

# 12. Capacity Table

## 12-6. AJ080MCJ4EH/EU

### COOLING

Combination (Capacity Index)				Combination (Total)	Combination (%)	Outdoor Temperature (°C, DB)	Indoor Temperature (°C, WB)															
							14		16		18		19		20		22		24			
							TC(kW)	PI(kW)	TC(kW)	PI(kW)	TC(kW)	PI(kW)	TC(kW)	PI(kW)	TC(kW)	PI(kW)	TC(kW)	PI(kW)	TC(kW)	PI(kW)		
2000	5000	5000	12000	150%	10	9.00	1.59	9.35	1.65	9.71	1.68	9.89	1.70	10.07	1.72	10.44	1.75	10.81	1.79			
					12	8.84	1.63	9.19	1.69	9.55	1.73	9.73	1.74	9.92	1.76	10.29	1.80	10.66	1.83			
					14	8.68	1.67	9.04	1.74	9.40	1.77	9.58	1.79	9.76	1.81	10.13	1.84	10.51	1.88			
					16	8.53	1.72	8.88	1.78	9.24	1.82	9.43	1.83	9.61	1.85	9.98	1.89	10.36	1.92			
					18	8.37	1.76	8.73	1.83	9.09	1.86	9.27	1.88	9.46	1.90	9.83	1.93	10.21	1.97			
					20	8.22	1.81	8.57	1.87	8.94	1.91	9.12	1.93	9.30	1.94	9.68	1.98	10.05	2.02			
					21	8.14	1.83	8.50	1.90	8.86	1.93	9.04	1.95	9.23	1.97	9.60	2.00	9.98	2.04			
					23	7.99	1.88	8.34	1.94	8.71	1.98	8.89	2.00	9.08	2.02	9.45	2.05	9.83	2.09			
					25	7.83	1.92	8.19	1.99	8.56	2.03	8.74	2.05	8.92	2.07	9.30	2.10	9.68	2.14			
					27	7.68	1.97	8.04	2.04	8.40	2.08	8.59	2.10	8.77	2.12	9.15	2.15	9.53	2.19			
					29	7.53	2.02	7.89	2.09	8.25	2.13	8.44	2.15	8.62	2.17	9.00	2.20	9.38	2.24			
					31	7.37	2.07	7.74	2.14	8.10	2.18	8.29	2.20	8.47	2.22	8.85	2.25	9.23	2.29			
					33	7.22	2.12	7.58	2.20	7.95	2.23	8.14	2.25	8.32	2.27	8.70	2.31	9.08	2.34			
					35	7.07	2.17	7.43	2.25	7.80	2.29	8.00	2.30	8.17	2.32	8.55	2.36	8.93	2.40			
					37	6.92	2.23	7.28	2.30	7.65	2.34	7.84	2.36	8.02	2.38	8.40	2.42	8.79	2.45			
					39	6.77	2.28	7.13	2.36	7.50	2.39	7.69	2.41	7.87	2.43	8.25	2.47	8.64	2.51			
42	6.54	2.36	6.91	2.44	7.28	2.48	7.46	2.50	7.65	2.52	8.03	2.55	8.42	2.59								
44	6.39	2.42	6.76	2.50	7.13	2.53	7.32	2.55	7.50	2.57	7.88	2.61	8.27	2.65								
46	6.24	2.47	6.61	2.55	6.98	2.59	7.17	2.61	7.36	2.63	7.74	2.67	8.12	2.71								
2500	2500	2500	7500	94%	10	8.47	1.48	8.80	1.51	9.14	1.54	9.31	1.56	9.48	1.58	9.83	1.61	10.18	1.64			
					12	8.32	1.52	8.65	1.55	8.99	1.58	9.16	1.60	9.33	1.62	9.68	1.65	10.04	1.68			
					14	8.17	1.56	8.51	1.59	8.85	1.62	9.02	1.64	9.19	1.66	9.54	1.69	9.89	1.72			
					16	8.03	1.60	8.36	1.63	8.70	1.67	8.87	1.68	9.05	1.70	9.39	1.73	9.75	1.76			
					18	7.88	1.64	8.22	1.68	8.56	1.71	8.73	1.72	8.90	1.74	9.25	1.77	9.61	1.81			
					20	7.74	1.69	8.07	1.72	8.41	1.75	8.58	1.77	8.76	1.78	9.11	1.82	9.46	1.85			
					21	7.66	1.71	8.00	1.74	8.34	1.77	8.51	1.79	8.69	1.81	9.04	1.84	9.39	1.87			
					23	7.52	1.75	7.85	1.78	8.20	1.82	8.37	1.83	8.54	1.85	8.89	1.88	9.25	1.92			
					25	7.37	1.80	7.71	1.83	8.05	1.86	8.23	1.88	8.40	1.90	8.75	1.93	9.11	1.96			
					27	7.23	1.84	7.57	1.87	7.91	1.91	8.08	1.92	8.26	1.94	8.61	1.97	8.97	2.01			
					29	7.09	1.89	7.42	1.92	7.77	1.95	7.94	1.97	8.12	1.99	8.47	2.02	8.83	2.05			
					31	6.94	1.93	7.28	1.97	7.63	2.00	7.80	2.02	7.97	2.03	8.33	2.07	8.69	2.10			
					33	6.80	1.98	7.14	2.01	7.48	2.05	7.66	2.07	7.83	2.08	8.19	2.12	8.55	2.15			
					35	6.66	2.03	7.00	2.06	7.34	2.10	7.53	2.11	7.69	2.13	8.05	2.17	8.41	2.20			
					37	6.51	2.08	6.85	2.11	7.20	2.15	7.38	2.16	7.55	2.18	7.91	2.22	8.27	2.25			
					39	6.37	2.13	6.71	2.16	7.06	2.20	7.24	2.21	7.41	2.23	7.77	2.27	8.13	2.30			
42	6.16	2.20	6.50	2.24	6.85	2.27	7.03	2.29	7.20	2.31	7.56	2.34	7.92	2.38								
44	6.02	2.25	6.36	2.29	6.71	2.33	6.89	2.34	7.06	2.36	7.42	2.40	7.78	2.43								
46	5.88	2.31	6.22	2.34	6.57	2.38	6.75	2.40	6.92	2.41	7.28	2.45	7.65	2.48								

# 12. Capacity Table

## 12-6. AJ080MCJ4EH/EU

### COOLING

Combination (Capacity Index)			Combination (Total)	Combination (%)	Outdoor Temperature (°C, DB)	Indoor Temperature (°C, WB)													
						14		16		18		19		20		22		24	
						TC(kW)	PI(kW)	TC(kW)	PI(kW)	TC(kW)	PI(kW)	TC(kW)	PI(kW)	TC(kW)	PI(kW)	TC(kW)	PI(kW)	TC(kW)	PI(kW)
2500	2500	3500	8500	106%	10	8.56	1.50	8.89	1.53	9.23	1.57	9.41	1.58	9.58	1.60	9.93	1.63	10.29	1.66
					12	8.41	1.54	8.74	1.57	9.09	1.61	9.26	1.62	9.43	1.64	9.79	1.67	10.14	1.70
					14	8.26	1.58	8.60	1.62	8.94	1.65	9.11	1.66	9.29	1.68	9.64	1.71	10.00	1.74
					16	8.11	1.62	8.45	1.66	8.79	1.69	8.97	1.71	9.14	1.72	9.49	1.76	9.85	1.79
					18	7.96	1.67	8.30	1.70	8.65	1.73	8.82	1.75	9.00	1.77	9.35	1.80	9.71	1.83
					20	7.82	1.71	8.16	1.74	8.50	1.78	8.68	1.79	8.85	1.81	9.21	1.84	9.56	1.88
					21	7.74	1.73	8.08	1.77	8.43	1.80	8.60	1.81	8.78	1.83	9.13	1.86	9.49	1.90
					23	7.60	1.78	7.94	1.81	8.28	1.84	8.46	1.86	8.63	1.88	8.99	1.91	9.35	1.94
					25	7.45	1.82	7.79	1.85	8.14	1.89	8.31	1.91	8.49	1.92	8.85	1.96	9.21	1.99
					27	7.31	1.87	7.65	1.90	7.99	1.93	8.17	1.95	8.35	1.97	8.70	2.00	9.06	2.04
					29	7.16	1.91	7.50	1.95	7.85	1.98	8.03	2.00	8.20	2.02	8.56	2.05	8.92	2.08
					31	7.02	1.96	7.36	2.00	7.71	2.03	7.88	2.05	8.06	2.06	8.42	2.10	8.78	2.13
					33	6.87	2.01	7.21	2.04	7.56	2.08	7.74	2.10	7.92	2.11	8.28	2.15	8.64	2.18
					35	6.73	2.06	7.07	2.09	7.42	2.13	7.61	2.14	7.77	2.16	8.13	2.20	8.50	2.23
					37	6.58	2.11	6.93	2.14	7.28	2.18	7.45	2.19	7.63	2.21	7.99	2.25	8.36	2.28
					39	6.44	2.16	6.78	2.19	7.13	2.23	7.31	2.25	7.49	2.26	7.85	2.30	8.22	2.33
42	6.22	2.23	6.57	2.27	6.92	2.31	7.10	2.32	7.28	2.34	7.64	2.38	8.01	2.41					
44	6.08	2.29	6.43	2.32	6.78	2.36	6.96	2.38	7.14	2.39	7.50	2.43	7.87	2.46					
46	5.94	2.34	6.29	2.38	6.64	2.41	6.82	2.43	7.00	2.45	7.36	2.48	7.73	2.52					
2500	2500	5000	10000	125%	10	8.73	1.55	9.07	1.58	9.42	1.62	9.59	1.63	9.77	1.65	10.13	1.68	10.49	1.72
					12	8.57	1.59	8.92	1.63	9.27	1.66	9.44	1.68	9.62	1.69	9.98	1.73	10.34	1.76
					14	8.42	1.63	8.77	1.67	9.12	1.70	9.29	1.72	9.47	1.73	9.83	1.77	10.19	1.80
					16	8.27	1.68	8.62	1.71	8.97	1.74	9.14	1.76	9.32	1.78	9.68	1.81	10.05	1.85
					18	8.12	1.72	8.47	1.76	8.82	1.79	8.99	1.81	9.17	1.82	9.53	1.86	9.90	1.89
					20	7.97	1.77	8.32	1.80	8.67	1.83	8.85	1.85	9.03	1.87	9.39	1.90	9.75	1.94
					21	7.90	1.79	8.24	1.82	8.59	1.86	8.77	1.87	8.95	1.89	9.31	1.93	9.68	1.96
					23	7.75	1.83	8.09	1.87	8.45	1.90	8.62	1.92	8.80	1.94	9.17	1.97	9.53	2.01
					25	7.60	1.88	7.95	1.92	8.30	1.95	8.48	1.97	8.66	1.99	9.02	2.02	9.39	2.05
					27	7.45	1.93	7.80	1.96	8.15	2.00	8.33	2.02	8.51	2.03	8.87	2.07	9.24	2.10
					29	7.30	1.98	7.65	2.01	8.00	2.05	8.18	2.06	8.36	2.08	8.73	2.12	9.10	2.15
					31	7.15	2.03	7.50	2.06	7.86	2.10	8.04	2.11	8.22	2.13	8.58	2.17	8.95	2.20
					33	7.01	2.07	7.36	2.11	7.71	2.15	7.89	2.16	8.07	2.18	8.44	2.22	8.81	2.25
					35	6.86	2.13	7.21	2.16	7.57	2.20	7.76	2.21	7.93	2.23	8.29	2.27	8.67	2.30
					37	6.71	2.18	7.06	2.21	7.42	2.25	7.60	2.27	7.78	2.28	8.15	2.32	8.52	2.36
					39	6.57	2.23	6.92	2.26	7.28	2.30	7.46	2.32	7.64	2.34	8.01	2.37	8.38	2.41
42	6.35	2.31	6.70	2.34	7.06	2.38	7.24	2.40	7.42	2.42	7.79	2.45	8.16	2.49					
44	6.20	2.36	6.56	2.40	6.91	2.44	7.10	2.45	7.28	2.47	7.65	2.51	8.02	2.55					
46	6.06	2.42	6.41	2.45	6.77	2.49	6.95	2.51	7.14	2.53	7.51	2.56	7.88	2.60					



# 12. Capacity Table

## 12-6. AJ080MCJ4EH/EU

### COOLING

Combination (Capacity Index)				Combination (Total)	Combination (%)	Outdoor Temperature (°C, DB)	Indoor Temperature (°C, WB)															
							14		16		18		19		20		22		24			
							TC(kW)	PI(kW)	TC(kW)	PI(kW)	TC(kW)	PI(kW)	TC(kW)	PI(kW)	TC(kW)	PI(kW)	TC(kW)	PI(kW)	TC(kW)	PI(kW)		
2500	2500	6800		11800	148%	10	8.73	1.55	9.35	1.65	9.71	1.68	9.89	1.70	10.07	1.72	10.44	1.75	10.81	1.79		
						12	8.57	1.59	9.19	1.69	9.55	1.73	9.73	1.74	9.92	1.76	10.29	1.80	10.66	1.83		
						14	8.42	1.63	9.04	1.74	9.40	1.77	9.58	1.79	9.76	1.81	10.13	1.84	10.51	1.88		
						16	8.27	1.68	8.88	1.78	9.24	1.82	9.43	1.83	9.61	1.85	9.98	1.89	10.36	1.92		
						18	8.12	1.72	8.73	1.83	9.09	1.86	9.27	1.88	9.46	1.90	9.83	1.93	10.21	1.97		
						20	7.97	1.77	8.57	1.87	8.94	1.91	9.12	1.93	9.30	1.94	9.68	1.98	10.05	2.02		
						21	7.90	1.79	8.50	1.90	8.86	1.93	9.04	1.95	9.23	1.97	9.60	2.00	9.98	2.04		
						23	7.75	1.83	8.34	1.94	8.71	1.98	8.89	2.00	9.08	2.02	9.45	2.05	9.83	2.09		
						25	7.60	1.88	8.19	1.99	8.56	2.03	8.74	2.05	8.92	2.07	9.30	2.10	9.68	2.14		
						27	7.45	1.93	8.04	2.04	8.40	2.08	8.59	2.10	8.77	2.12	9.15	2.15	9.53	2.19		
						29	7.30	1.98	7.89	2.09	8.25	2.13	8.44	2.15	8.62	2.17	9.00	2.20	9.38	2.24		
						31	7.15	2.03	7.74	2.14	8.10	2.18	8.29	2.20	8.47	2.22	8.85	2.25	9.23	2.29		
						33	7.01	2.07	7.58	2.20	7.95	2.23	8.14	2.25	8.32	2.27	8.70	2.31	9.08	2.34		
						35	6.86	2.13	7.43	2.25	7.80	2.29	8.00	2.30	8.17	2.32	8.55	2.36	8.93	2.40		
						37	6.71	2.18	7.28	2.30	7.65	2.34	7.84	2.36	8.02	2.38	8.40	2.42	8.79	2.45		
						39	6.57	2.23	7.13	2.36	7.50	2.39	7.69	2.41	7.87	2.43	8.25	2.47	8.64	2.51		
42	6.35	2.31	6.91	2.44	7.28	2.48	7.46	2.50	7.65	2.52	8.03	2.55	8.42	2.59								
44	6.20	2.36	6.76	2.50	7.13	2.53	7.32	2.55	7.50	2.57	7.88	2.61	8.27	2.65								
46	6.06	2.42	6.61	2.55	6.98	2.59	7.17	2.61	7.36	2.63	7.74	2.67	8.12	2.71								
2500	3500	3500		9500	119%	10	8.65	1.53	8.99	1.56	9.33	1.59	9.51	1.61	9.68	1.63	10.04	1.66	10.40	1.69		
						12	8.50	1.57	8.84	1.60	9.18	1.64	9.36	1.65	9.53	1.67	9.89	1.70	10.25	1.73		
						14	8.35	1.61	8.69	1.65	9.03	1.68	9.21	1.69	9.38	1.71	9.74	1.74	10.10	1.78		
						16	8.20	1.65	8.54	1.69	8.89	1.72	9.06	1.74	9.24	1.75	9.59	1.79	9.96	1.82		
						18	8.05	1.70	8.39	1.73	8.74	1.76	8.91	1.78	9.09	1.80	9.45	1.83	9.81	1.87		
						20	7.90	1.74	8.24	1.78	8.59	1.81	8.77	1.83	8.94	1.84	9.30	1.88	9.67	1.91		
						21	7.83	1.76	8.17	1.80	8.52	1.83	8.69	1.85	8.87	1.87	9.23	1.90	9.59	1.93		
						23	7.68	1.81	8.02	1.84	8.37	1.88	8.55	1.89	8.72	1.91	9.08	1.95	9.45	1.98		
						25	7.53	1.86	7.87	1.89	8.22	1.92	8.40	1.94	8.58	1.96	8.94	1.99	9.30	2.03		
						27	7.38	1.90	7.73	1.94	8.08	1.97	8.26	1.99	8.43	2.01	8.79	2.04	9.16	2.07		
						29	7.24	1.95	7.58	1.98	7.93	2.02	8.11	2.04	8.29	2.05	8.65	2.09	9.02	2.12		
						31	7.09	2.00	7.44	2.03	7.79	2.07	7.96	2.08	8.14	2.10	8.51	2.14	8.87	2.17		
						33	6.94	2.05	7.29	2.08	7.64	2.12	7.82	2.13	8.00	2.15	8.36	2.19	8.73	2.22		
						35	6.80	2.10	7.14	2.13	7.50	2.17	7.69	2.18	7.86	2.20	8.22	2.24	8.59	2.27		
						37	6.65	2.15	7.00	2.18	7.35	2.22	7.53	2.24	7.71	2.25	8.08	2.29	8.44	2.32		
						39	6.51	2.20	6.86	2.23	7.21	2.27	7.39	2.29	7.57	2.31	7.93	2.34	8.30	2.38		
42	6.29	2.28	6.64	2.31	7.00	2.35	7.17	2.37	7.36	2.38	7.72	2.42	8.09	2.46								
44	6.15	2.33	6.50	2.37	6.85	2.40	7.03	2.42	7.21	2.44	7.58	2.47	7.95	2.51								
46	6.00	2.38	6.35	2.42	6.71	2.46	6.89	2.47	7.07	2.49	7.44	2.53	7.81	2.57								

# 12. Capacity Table

## 12-6. AJ080MCJ4EH/EU

### COOLING

Combination (Capacity Index)			Combination (Total)	Combination (%)	Outdoor Temperature (°C, DB)	Indoor Temperature (°C, WB)													
						14		16		18		19		20		22		24	
						TC(kW)	PI(kW)	TC(kW)	PI(kW)	TC(kW)	PI(kW)	TC(kW)	PI(kW)	TC(kW)	PI(kW)	TC(kW)	PI(kW)	TC(kW)	PI(kW)
2500	3500	5000	11000	138%	10	9.00	1.59	9.35	1.62	9.71	1.65	9.89	1.67	10.07	1.69	10.44	1.72	10.81	1.75
					12	8.84	1.63	9.19	1.66	9.55	1.70	9.73	1.71	9.92	1.73	10.29	1.76	10.66	1.80
					14	8.68	1.67	9.04	1.71	9.40	1.74	9.58	1.76	9.76	1.77	10.13	1.81	10.51	1.84
					16	8.53	1.72	8.88	1.75	9.24	1.78	9.43	1.80	9.61	1.82	9.98	1.85	10.36	1.89
					18	8.37	1.76	8.73	1.79	9.09	1.83	9.27	1.85	9.46	1.86	9.83	1.90	10.21	1.93
					20	8.22	1.81	8.57	1.84	8.94	1.88	9.12	1.89	9.30	1.91	9.68	1.95	10.05	1.98
					21	8.14	1.83	8.50	1.86	8.86	1.90	9.04	1.92	9.23	1.93	9.60	1.97	9.98	2.00
					23	7.99	1.88	8.34	1.91	8.71	1.95	8.89	1.96	9.08	1.98	9.45	2.02	9.83	2.05
					25	7.83	1.92	8.19	1.96	8.56	1.99	8.74	2.01	8.92	2.03	9.30	2.07	9.68	2.10
					27	7.68	1.97	8.04	2.01	8.40	2.04	8.59	2.06	8.77	2.08	9.15	2.11	9.53	2.15
					29	7.53	2.02	7.89	2.06	8.25	2.09	8.44	2.11	8.62	2.13	9.00	2.16	9.38	2.20
					31	7.37	2.07	7.74	2.11	8.10	2.14	8.29	2.16	8.47	2.18	8.85	2.22	9.23	2.25
					33	7.22	2.12	7.58	2.16	7.95	2.19	8.14	2.21	8.32	2.23	8.70	2.27	9.08	2.30
					35	7.07	2.17	7.43	2.21	7.80	2.25	8.00	2.26	8.17	2.28	8.55	2.32	8.93	2.36
					37	6.92	2.23	7.28	2.26	7.65	2.30	7.84	2.32	8.02	2.34	8.40	2.37	8.79	2.41
					39	6.77	2.28	7.13	2.32	7.50	2.35	7.69	2.37	7.87	2.39	8.25	2.43	8.64	2.46
42	6.54	2.36	6.91	2.40	7.28	2.43	7.46	2.45	7.65	2.47	8.03	2.51	8.42	2.55					
44	6.39	2.42	6.76	2.45	7.13	2.49	7.32	2.51	7.50	2.53	7.88	2.57	8.27	2.60					
46	6.24	2.47	6.61	2.51	6.98	2.55	7.17	2.57	7.36	2.58	7.74	2.62	8.12	2.66					
3500	3500	3500	10500	131%	10	9.00	1.59	9.35	1.62	9.71	1.65	9.89	1.67	10.07	1.69	10.44	1.72	10.81	1.75
					12	8.84	1.63	9.19	1.66	9.55	1.70	9.73	1.71	9.92	1.73	10.29	1.76	10.66	1.80
					14	8.68	1.67	9.04	1.71	9.40	1.74	9.58	1.76	9.76	1.77	10.13	1.81	10.51	1.84
					16	8.53	1.72	8.88	1.75	9.24	1.78	9.43	1.80	9.61	1.82	9.98	1.85	10.36	1.89
					18	8.37	1.76	8.73	1.79	9.09	1.83	9.27	1.85	9.46	1.86	9.83	1.90	10.21	1.93
					20	8.22	1.81	8.57	1.84	8.94	1.88	9.12	1.89	9.30	1.91	9.68	1.95	10.05	1.98
					21	8.14	1.83	8.50	1.86	8.86	1.90	9.04	1.92	9.23	1.93	9.60	1.97	9.98	2.00
					23	7.99	1.88	8.34	1.91	8.71	1.95	8.89	1.96	9.08	1.98	9.45	2.02	9.83	2.05
					25	7.83	1.92	8.19	1.96	8.56	1.99	8.74	2.01	8.92	2.03	9.30	2.07	9.68	2.10
					27	7.68	1.97	8.04	2.01	8.40	2.04	8.59	2.06	8.77	2.08	9.15	2.11	9.53	2.15
					29	7.53	2.02	7.89	2.06	8.25	2.09	8.44	2.11	8.62	2.13	9.00	2.16	9.38	2.20
					31	7.37	2.07	7.74	2.11	8.10	2.14	8.29	2.16	8.47	2.18	8.85	2.22	9.23	2.25
					33	7.22	2.12	7.58	2.16	7.95	2.19	8.14	2.21	8.32	2.23	8.70	2.27	9.08	2.30
					35	7.07	2.17	7.43	2.21	7.80	2.25	8.00	2.26	8.17	2.28	8.55	2.32	8.93	2.36
					37	6.92	2.23	7.28	2.26	7.65	2.30	7.84	2.32	8.02	2.34	8.40	2.37	8.79	2.41
					39	6.77	2.28	7.13	2.32	7.50	2.35	7.69	2.37	7.87	2.39	8.25	2.43	8.64	2.46
42	6.54	2.36	6.91	2.40	7.28	2.43	7.46	2.45	7.65	2.47	8.03	2.51	8.42	2.55					
44	6.39	2.42	6.76	2.45	7.13	2.49	7.32	2.51	7.50	2.53	7.88	2.57	8.27	2.60					
46	6.24	2.47	6.61	2.51	6.98	2.55	7.17	2.57	7.36	2.58	7.74	2.62	8.12	2.66					

# 12. Capacity Table

## 12-6. AJ080MCJ4EH/EU

### COOLING

Combination (Capacity Index)				Combination (Total)	Combination (%)	Outdoor Temperature (°C, DB)	Indoor Temperature (°C, WB)															
							14		16		18		19		20		22		24			
							TC(kW)	PI(kW)	TC(kW)	PI(kW)	TC(kW)	PI(kW)	TC(kW)	PI(kW)	TC(kW)	PI(kW)	TC(kW)	PI(kW)	TC(kW)	PI(kW)		
3500	3500	5000		12000	150%	10	9.00	1.61	9.35	1.65	9.71	1.68	9.89	1.70	10.07	1.72	10.44	1.75	10.81	1.79		
						12	8.84	1.66	9.19	1.69	9.55	1.73	9.73	1.74	9.92	1.76	10.29	1.80	10.66	1.83		
						14	8.68	1.70	9.04	1.74	9.40	1.77	9.58	1.79	9.76	1.81	10.13	1.84	10.51	1.88		
						16	8.53	1.75	8.88	1.78	9.24	1.82	9.43	1.83	9.61	1.85	9.98	1.89	10.36	1.92		
						18	8.37	1.79	8.73	1.83	9.09	1.86	9.27	1.88	9.46	1.90	9.83	1.93	10.21	1.97		
						20	8.22	1.84	8.57	1.87	8.94	1.91	9.12	1.93	9.30	1.94	9.68	1.98	10.05	2.02		
						21	8.14	1.86	8.50	1.90	8.86	1.93	9.04	1.95	9.23	1.97	9.60	2.00	9.98	2.04		
						23	7.99	1.91	8.34	1.94	8.71	1.98	8.89	2.00	9.08	2.02	9.45	2.05	9.83	2.09		
						25	7.83	1.96	8.19	1.99	8.56	2.03	8.74	2.05	8.92	2.07	9.30	2.10	9.68	2.14		
						27	7.68	2.01	8.04	2.04	8.40	2.08	8.59	2.10	8.77	2.12	9.15	2.15	9.53	2.19		
						29	7.53	2.06	7.89	2.09	8.25	2.13	8.44	2.15	8.62	2.17	9.00	2.20	9.38	2.24		
						31	7.37	2.11	7.74	2.14	8.10	2.18	8.29	2.20	8.47	2.22	8.85	2.25	9.23	2.29		
						33	7.22	2.16	7.58	2.20	7.95	2.23	8.14	2.25	8.32	2.27	8.70	2.31	9.08	2.34		
						35	7.07	2.21	7.43	2.25	7.80	2.29	8.00	2.30	8.17	2.32	8.55	2.36	8.93	2.40		
						37	6.92	2.27	7.28	2.30	7.65	2.34	7.84	2.36	8.02	2.38	8.40	2.42	8.79	2.45		
						39	6.77	2.32	7.13	2.36	7.50	2.39	7.69	2.41	7.87	2.43	8.25	2.47	8.64	2.51		
42	6.54	2.40	6.91	2.44	7.28	2.48	7.46	2.50	7.65	2.52	8.03	2.55	8.42	2.59								
44	6.39	2.46	6.76	2.50	7.13	2.53	7.32	2.55	7.50	2.57	7.88	2.61	8.27	2.65								
46	6.24	2.51	6.61	2.55	6.98	2.59	7.17	2.61	7.36	2.63	7.74	2.67	8.12	2.71								
2000	2000	2000	2000	8000	100%	10	8.50	1.50	8.83	1.53	9.17	1.57	9.34	1.58	9.52	1.60	9.87	1.63	10.22	1.66		
						12	8.35	1.54	8.69	1.57	9.03	1.61	9.20	1.62	9.37	1.64	9.72	1.67	10.08	1.70		
						14	8.21	1.58	8.54	1.62	8.88	1.65	9.05	1.66	9.23	1.68	9.58	1.71	9.93	1.74		
						16	8.06	1.62	8.39	1.66	8.74	1.69	8.91	1.71	9.08	1.72	9.43	1.76	9.79	1.79		
						18	7.91	1.67	8.25	1.70	8.59	1.73	8.76	1.75	8.94	1.77	9.29	1.80	9.64	1.83		
						20	7.77	1.71	8.10	1.74	8.45	1.78	8.62	1.79	8.79	1.81	9.14	1.84	9.50	1.88		
						21	7.69	1.73	8.03	1.77	8.37	1.80	8.55	1.81	8.72	1.83	9.07	1.86	9.43	1.90		
						23	7.55	1.78	7.89	1.81	8.23	1.84	8.40	1.86	8.58	1.88	8.93	1.91	9.29	1.94		
						25	7.40	1.82	7.74	1.85	8.08	1.89	8.26	1.91	8.43	1.92	8.79	1.96	9.15	1.99		
						27	7.26	1.87	7.60	1.90	7.94	1.93	8.12	1.95	8.29	1.97	8.65	2.00	9.00	2.04		
						29	7.11	1.91	7.45	1.95	7.80	1.98	7.97	2.00	8.15	2.02	8.50	2.05	8.86	2.08		
						31	6.97	1.96	7.31	2.00	7.66	2.03	7.83	2.05	8.01	2.06	8.36	2.10	8.72	2.13		
						33	6.83	2.01	7.17	2.04	7.51	2.08	7.69	2.10	7.86	2.11	8.22	2.15	8.58	2.18		
						35	6.68	2.06	7.02	2.09	7.37	2.13	7.56	2.14	7.72	2.16	8.08	2.20	8.44	2.23		
						37	6.54	2.11	6.88	2.14	7.23	2.18	7.40	2.19	7.58	2.21	7.94	2.25	8.30	2.28		
						39	6.40	2.16	6.74	2.19	7.09	2.23	7.26	2.25	7.44	2.26	7.80	2.30	8.16	2.33		
42	6.18	2.23	6.53	2.27	6.88	2.31	7.05	2.32	7.23	2.34	7.59	2.38	7.95	2.41								
44	6.04	2.29	6.39	2.32	6.74	2.36	6.91	2.38	7.09	2.39	7.45	2.43	7.82	2.46								
46	5.90	2.34	6.25	2.38	6.60	2.41	6.77	2.43	6.95	2.45	7.31	2.48	7.68	2.52								

# 12. Capacity Table

## 12-6. AJ080MCJ4EH/EU

### COOLING

Combination (Capacity Index)				Combination (Total)	Combination (%)	Outdoor Temperature (°C, DB)	Indoor Temperature (°C, WB)													
							14		16		18		19		20		22		24	
							TC(kW)	PI(kW)	TC(kW)	PI(kW)	TC(kW)	PI(kW)	TC(kW)	PI(kW)	TC(kW)	PI(kW)	TC(kW)	PI(kW)	TC(kW)	PI(kW)
2000	2000	2000	2500	8500	106%	10	8.55	1.50	8.88	1.53	9.22	1.57	9.39	1.58	9.57	1.60	9.92	1.63	10.27	1.66
						12	8.40	1.54	8.73	1.57	9.07	1.61	9.25	1.62	9.42	1.64	9.77	1.67	10.13	1.70
						14	8.25	1.58	8.59	1.62	8.93	1.65	9.10	1.66	9.27	1.68	9.63	1.71	9.98	1.74
						16	8.10	1.62	8.44	1.66	8.78	1.69	8.95	1.71	9.13	1.72	9.48	1.76	9.84	1.79
						18	7.95	1.67	8.29	1.70	8.64	1.73	8.81	1.75	8.98	1.77	9.34	1.80	9.70	1.83
						20	7.81	1.71	8.15	1.74	8.49	1.78	8.66	1.79	8.84	1.81	9.19	1.84	9.55	1.88
						21	7.73	1.73	8.07	1.77	8.42	1.80	8.59	1.81	8.77	1.83	9.12	1.86	9.48	1.90
						23	7.59	1.78	7.93	1.81	8.27	1.84	8.45	1.86	8.62	1.88	8.98	1.91	9.34	1.94
						25	7.44	1.82	7.78	1.85	8.13	1.89	8.30	1.91	8.48	1.92	8.83	1.96	9.19	1.99
						27	7.30	1.87	7.64	1.90	7.98	1.93	8.16	1.95	8.33	1.97	8.69	2.00	9.05	2.04
						29	7.15	1.91	7.49	1.95	7.84	1.98	8.01	2.00	8.19	2.02	8.55	2.05	8.91	2.08
						31	7.01	1.96	7.35	2.00	7.70	2.03	7.87	2.05	8.05	2.06	8.41	2.10	8.77	2.13
						33	6.86	2.01	7.20	2.04	7.55	2.08	7.73	2.10	7.91	2.11	8.26	2.15	8.63	2.18
						35	6.72	2.06	7.06	2.09	7.41	2.13	7.60	2.14	7.76	2.16	8.12	2.20	8.49	2.23
						37	6.57	2.11	6.92	2.14	7.27	2.18	7.44	2.19	7.62	2.21	7.98	2.25	8.35	2.28
						39	6.43	2.16	6.78	2.19	7.13	2.23	7.30	2.25	7.48	2.26	7.84	2.30	8.21	2.33
42	6.22	2.23	6.56	2.27	6.91	2.31	7.09	2.32	7.27	2.34	7.63	2.38	8.00	2.41						
44	6.07	2.29	6.42	2.32	6.77	2.36	6.95	2.38	7.13	2.39	7.49	2.43	7.86	2.46						
46	5.93	2.34	6.28	2.38	6.63	2.41	6.81	2.43	6.99	2.45	7.35	2.48	7.72	2.52						
2000	2000	2000	3500	9500	119%	10	8.64	1.53	8.97	1.56	9.32	1.59	9.49	1.61	9.67	1.63	10.02	1.66	10.38	1.69
						12	8.49	1.57	8.83	1.60	9.17	1.64	9.34	1.65	9.52	1.67	9.88	1.70	10.24	1.73
						14	8.34	1.61	8.68	1.65	9.02	1.68	9.20	1.69	9.37	1.71	9.73	1.74	10.09	1.78
						16	8.19	1.65	8.53	1.69	8.87	1.72	9.05	1.74	9.23	1.75	9.58	1.79	9.94	1.82
						18	8.04	1.70	8.38	1.73	8.73	1.76	8.90	1.78	9.08	1.80	9.44	1.83	9.80	1.87
						20	7.89	1.74	8.23	1.78	8.58	1.81	8.76	1.83	8.93	1.84	9.29	1.88	9.65	1.91
						21	7.82	1.76	8.16	1.80	8.51	1.83	8.68	1.85	8.86	1.87	9.22	1.90	9.58	1.93
						23	7.67	1.81	8.01	1.84	8.36	1.88	8.54	1.89	8.71	1.91	9.07	1.95	9.44	1.98
						25	7.52	1.86	7.86	1.89	8.21	1.92	8.39	1.94	8.57	1.96	8.93	1.99	9.29	2.03
						27	7.37	1.90	7.72	1.94	8.07	1.97	8.24	1.99	8.42	2.01	8.78	2.04	9.15	2.07
						29	7.23	1.95	7.57	1.98	7.92	2.02	8.10	2.04	8.28	2.05	8.64	2.09	9.00	2.12
						31	7.08	2.00	7.43	2.03	7.78	2.07	7.95	2.08	8.13	2.10	8.49	2.14	8.86	2.17
						33	6.93	2.05	7.28	2.08	7.63	2.12	7.81	2.13	7.99	2.15	8.35	2.19	8.72	2.22
						35	6.79	2.10	7.14	2.13	7.49	2.17	7.68	2.18	7.85	2.20	8.21	2.24	8.58	2.27
						37	6.64	2.15	6.99	2.18	7.34	2.22	7.52	2.24	7.70	2.25	8.07	2.29	8.43	2.32
						39	6.50	2.20	6.85	2.23	7.20	2.27	7.38	2.29	7.56	2.31	7.92	2.34	8.29	2.38
42	6.28	2.28	6.63	2.31	6.99	2.35	7.17	2.37	7.35	2.38	7.71	2.42	8.08	2.46						
44	6.14	2.33	6.49	2.37	6.84	2.40	7.02	2.42	7.20	2.44	7.57	2.47	7.94	2.51						
46	5.99	2.38	6.35	2.42	6.70	2.46	6.88	2.47	7.06	2.49	7.43	2.53	7.80	2.57						

# 12. Capacity Table

## 12-6. AJ080MCJ4EH/EU

### COOLING

Combination (Capacity Index)				Combination (Total)	Combination (%)	Outdoor Temperature (°C, DB)	Indoor Temperature (°C, WB)															
							14		16		18		19		20		22		24			
							TC(kW)	PI(kW)	TC(kW)	PI(kW)	TC(kW)	PI(kW)	TC(kW)	PI(kW)	TC(kW)	PI(kW)	TC(kW)	PI(kW)	TC(kW)	PI(kW)		
2000	2000	2000	5000	11000	138%	10	9.00	1.61	9.35	1.65	9.71	1.68	9.89	1.70	10.07	1.72	10.44	1.75	10.81	1.79		
						12	8.84	1.66	9.19	1.69	9.55	1.73	9.73	1.74	9.92	1.76	10.29	1.80	10.66	1.83		
						14	8.68	1.70	9.04	1.74	9.40	1.77	9.58	1.79	9.76	1.81	10.13	1.84	10.51	1.88		
						16	8.53	1.75	8.88	1.78	9.24	1.82	9.43	1.83	9.61	1.85	9.98	1.89	10.36	1.92		
						18	8.37	1.79	8.73	1.83	9.09	1.86	9.27	1.88	9.46	1.90	9.83	1.93	10.21	1.97		
						20	8.22	1.84	8.57	1.87	8.94	1.91	9.12	1.93	9.30	1.94	9.68	1.98	10.05	2.02		
						21	8.14	1.86	8.50	1.90	8.86	1.93	9.04	1.95	9.23	1.97	9.60	2.00	9.98	2.04		
						23	7.99	1.91	8.34	1.94	8.71	1.98	8.89	2.00	9.08	2.02	9.45	2.05	9.83	2.09		
						25	7.83	1.96	8.19	1.99	8.56	2.03	8.74	2.05	8.92	2.07	9.30	2.10	9.68	2.14		
						27	7.68	2.01	8.04	2.04	8.40	2.08	8.59	2.10	8.77	2.12	9.15	2.15	9.53	2.19		
						29	7.53	2.06	7.89	2.09	8.25	2.13	8.44	2.15	8.62	2.17	9.00	2.20	9.38	2.24		
						31	7.37	2.11	7.74	2.14	8.10	2.18	8.29	2.20	8.47	2.22	8.85	2.25	9.23	2.29		
						33	7.22	2.16	7.58	2.20	7.95	2.23	8.14	2.25	8.32	2.27	8.70	2.31	9.08	2.34		
						35	7.07	2.21	7.43	2.25	7.80	2.29	8.00	2.30	8.17	2.32	8.55	2.36	8.93	2.40		
						37	6.92	2.27	7.28	2.30	7.65	2.34	7.84	2.36	8.02	2.38	8.40	2.42	8.79	2.45		
						39	6.77	2.32	7.13	2.36	7.50	2.39	7.69	2.41	7.87	2.43	8.25	2.47	8.64	2.51		
42	6.54	2.40	6.91	2.44	7.28	2.48	7.46	2.50	7.65	2.52	8.03	2.55	8.42	2.59								
44	6.39	2.46	6.76	2.50	7.13	2.53	7.32	2.55	7.50	2.57	7.88	2.61	8.27	2.65								
46	6.24	2.51	6.61	2.55	6.98	2.59	7.17	2.61	7.36	2.63	7.74	2.67	8.12	2.71								
2000	2000	2500	2500	9000	113%	10	8.61	1.54	8.95	1.57	9.29	1.60	9.47	1.62	9.64	1.63	10.00	1.67	10.36	1.70		
						12	8.46	1.58	8.80	1.61	9.15	1.64	9.32	1.66	9.50	1.68	9.85	1.71	10.21	1.74		
						14	8.31	1.62	8.65	1.65	9.00	1.69	9.17	1.70	9.35	1.72	9.70	1.75	10.06	1.79		
						16	8.17	1.66	8.51	1.70	8.85	1.73	9.03	1.75	9.20	1.76	9.56	1.80	9.92	1.83		
						18	8.02	1.71	8.36	1.74	8.70	1.77	8.88	1.79	9.05	1.81	9.41	1.84	9.77	1.87		
						20	7.87	1.75	8.21	1.78	8.56	1.82	8.73	1.83	8.91	1.85	9.27	1.89	9.63	1.92		
						21	7.80	1.77	8.14	1.81	8.48	1.84	8.66	1.86	8.84	1.87	9.19	1.91	9.56	1.94		
						23	7.65	1.82	7.99	1.85	8.34	1.89	8.51	1.90	8.69	1.92	9.05	1.95	9.41	1.99		
						25	7.50	1.86	7.84	1.90	8.19	1.93	8.37	1.95	8.55	1.97	8.90	2.00	9.27	2.04		
						27	7.35	1.91	7.70	1.95	8.05	1.98	8.22	2.00	8.40	2.01	8.76	2.05	9.12	2.08		
						29	7.21	1.96	7.55	1.99	7.90	2.03	8.08	2.05	8.26	2.06	8.62	2.10	8.98	2.13		
						31	7.06	2.01	7.41	2.04	7.76	2.08	7.93	2.09	8.11	2.11	8.47	2.15	8.84	2.18		
						33	6.92	2.06	7.26	2.09	7.61	2.13	7.79	2.14	7.97	2.16	8.33	2.20	8.70	2.23		
						35	6.77	2.11	7.12	2.14	7.47	2.18	7.66	2.19	7.83	2.21	8.19	2.25	8.55	2.28		
						37	6.63	2.16	6.97	2.19	7.32	2.23	7.50	2.25	7.68	2.26	8.04	2.30	8.41	2.34		
						39	6.48	2.21	6.83	2.24	7.18	2.28	7.36	2.30	7.54	2.32	7.90	2.35	8.27	2.39		
42	6.27	2.29	6.61	2.32	6.97	2.36	7.15	2.38	7.33	2.40	7.69	2.43	8.06	2.47								
44	6.12	2.34	6.47	2.38	6.83	2.41	7.00	2.43	7.19	2.45	7.55	2.49	7.92	2.52								
46	5.98	2.39	6.33	2.43	6.68	2.47	6.86	2.49	7.04	2.50	7.41	2.54	7.78	2.58								

# 12. Capacity Table

## 12-6. AJ080MCJ4EH/EU

### COOLING

Combination (Capacity Index)				Combination (Total)	Combination (%)	Outdoor Temperature (°C, DB)	Indoor Temperature (°C, WB)													
							14		16		18		19		20		22		24	
							TC(kW)	PI(kW)	TC(kW)	PI(kW)	TC(kW)	PI(kW)	TC(kW)	PI(kW)	TC(kW)	PI(kW)	TC(kW)	PI(kW)	TC(kW)	PI(kW)
2000	2000	2500	3500	10000	125%	10	8.69	1.54	9.03	1.58	9.38	1.61	9.55	1.63	9.73	1.64	10.09	1.68	10.45	1.71
						12	8.54	1.58	8.88	1.62	9.23	1.65	9.41	1.67	9.58	1.68	9.94	1.72	10.30	1.75
						14	8.39	1.63	8.73	1.66	9.08	1.69	9.26	1.71	9.43	1.73	9.79	1.76	10.15	1.79
						16	8.24	1.67	8.58	1.70	8.93	1.74	9.11	1.75	9.29	1.77	9.64	1.80	10.01	1.84
						18	8.09	1.71	8.43	1.75	8.78	1.78	8.96	1.80	9.14	1.81	9.50	1.85	9.86	1.88
						20	7.94	1.76	8.29	1.79	8.64	1.83	8.81	1.84	8.99	1.86	9.35	1.89	9.72	1.93
						21	7.87	1.78	8.21	1.81	8.56	1.85	8.74	1.87	8.92	1.88	9.28	1.92	9.64	1.95
						23	7.72	1.83	8.06	1.86	8.41	1.89	8.59	1.91	8.77	1.93	9.13	1.96	9.50	2.00
						25	7.57	1.87	7.92	1.91	8.27	1.94	8.44	1.96	8.62	1.98	8.99	2.01	9.35	2.05
						27	7.42	1.92	7.77	1.95	8.12	1.99	8.30	2.01	8.48	2.02	8.84	2.06	9.21	2.09
						29	7.27	1.97	7.62	2.00	7.97	2.04	8.15	2.05	8.33	2.07	8.69	2.11	9.06	2.14
						31	7.13	2.02	7.47	2.05	7.83	2.09	8.01	2.10	8.19	2.12	8.55	2.16	8.92	2.19
						33	6.98	2.07	7.33	2.10	7.68	2.14	7.86	2.15	8.04	2.17	8.41	2.21	8.78	2.24
						35	6.83	2.12	7.18	2.15	7.54	2.19	7.73	2.20	7.90	2.22	8.26	2.26	8.63	2.29
						37	6.69	2.17	7.04	2.20	7.39	2.24	7.57	2.26	7.75	2.27	8.12	2.31	8.49	2.35
						39	6.54	2.22	6.89	2.25	7.25	2.29	7.43	2.31	7.61	2.33	7.97	2.36	8.35	2.40
42	6.32	2.30	6.67	2.33	7.03	2.37	7.21	2.39	7.39	2.41	7.76	2.44	8.13	2.48						
44	6.18	2.35	6.53	2.39	6.89	2.42	7.07	2.44	7.25	2.46	7.62	2.50	7.99	2.53						
46	6.03	2.41	6.39	2.44	6.74	2.48	6.93	2.50	7.11	2.52	7.48	2.55	7.85	2.59						
2000	2000	2500	5000	11500	144%	10	9.00	1.61	9.35	1.65	9.71	1.68	9.89	1.70	10.07	1.72	10.44	1.75	10.81	1.79
						12	8.84	1.66	9.19	1.69	9.55	1.73	9.73	1.74	9.92	1.76	10.29	1.80	10.66	1.83
						14	8.68	1.70	9.04	1.74	9.40	1.77	9.58	1.79	9.76	1.81	10.13	1.84	10.51	1.88
						16	8.53	1.75	8.88	1.78	9.24	1.82	9.43	1.83	9.61	1.85	9.98	1.89	10.36	1.92
						18	8.37	1.79	8.73	1.83	9.09	1.86	9.27	1.88	9.46	1.90	9.83	1.93	10.21	1.97
						20	8.22	1.84	8.57	1.87	8.94	1.91	9.12	1.93	9.30	1.94	9.68	1.98	10.05	2.02
						21	8.14	1.86	8.50	1.90	8.86	1.93	9.04	1.95	9.23	1.97	9.60	2.00	9.98	2.04
						23	7.99	1.91	8.34	1.94	8.71	1.98	8.89	2.00	9.08	2.02	9.45	2.05	9.83	2.09
						25	7.83	1.96	8.19	1.99	8.56	2.03	8.74	2.05	8.92	2.07	9.30	2.10	9.68	2.14
						27	7.68	2.01	8.04	2.04	8.40	2.08	8.59	2.10	8.77	2.12	9.15	2.15	9.53	2.19
						29	7.53	2.06	7.89	2.09	8.25	2.13	8.44	2.15	8.62	2.17	9.00	2.20	9.38	2.24
						31	7.37	2.11	7.74	2.14	8.10	2.18	8.29	2.20	8.47	2.22	8.85	2.25	9.23	2.29
						33	7.22	2.16	7.58	2.20	7.95	2.23	8.14	2.25	8.32	2.27	8.70	2.31	9.08	2.34
						35	7.07	2.21	7.43	2.25	7.80	2.29	8.00	2.30	8.17	2.32	8.55	2.36	8.93	2.40
						37	6.92	2.27	7.28	2.30	7.65	2.34	7.84	2.36	8.02	2.38	8.40	2.42	8.79	2.45
						39	6.77	2.32	7.13	2.36	7.50	2.39	7.69	2.41	7.87	2.43	8.25	2.47	8.64	2.51
42	6.54	2.40	6.91	2.44	7.28	2.48	7.46	2.50	7.65	2.52	8.03	2.55	8.42	2.59						
44	6.39	2.46	6.76	2.50	7.13	2.53	7.32	2.55	7.50	2.57	7.88	2.61	8.27	2.65						
46	6.24	2.51	6.61	2.55	6.98	2.59	7.17	2.61	7.36	2.63	7.74	2.67	8.12	2.71						

# 12. Capacity Table

## 12-6. AJ080MCJ4EH/EU

### COOLING

Combination (Capacity Index)				Combination (Total)	Combination (%)	Outdoor Temperature (°C, DB)	Indoor Temperature (°C, WB)															
							14		16		18		19		20		22		24			
							TC(kW)	PI(kW)	TC(kW)	PI(kW)	TC(kW)	PI(kW)	TC(kW)	PI(kW)	TC(kW)	PI(kW)	TC(kW)	PI(kW)	TC(kW)	PI(kW)		
2000	2000	3500	3500	11000	138%	10	9.00	1.60	9.35	1.63	9.71	1.67	9.89	1.68	10.07	1.70	10.44	1.74	10.81	1.77		
						12	8.84	1.64	9.19	1.68	9.55	1.71	9.73	1.73	9.92	1.75	10.29	1.78	10.66	1.81		
						14	8.68	1.69	9.04	1.72	9.40	1.76	9.58	1.77	9.76	1.79	10.13	1.82	10.51	1.86		
						16	8.53	1.73	8.88	1.77	9.24	1.80	9.43	1.82	9.61	1.84	9.98	1.87	10.36	1.90		
						18	8.37	1.78	8.73	1.81	9.09	1.85	9.27	1.86	9.46	1.88	9.83	1.92	10.21	1.95		
						20	8.22	1.82	8.57	1.86	8.94	1.89	9.12	1.91	9.30	1.93	9.68	1.96	10.05	2.00		
						21	8.14	1.85	8.50	1.88	8.86	1.92	9.04	1.93	9.23	1.95	9.60	1.99	9.98	2.02		
						23	7.99	1.89	8.34	1.93	8.71	1.96	8.89	1.98	9.08	2.00	9.45	2.03	9.83	2.07		
						25	7.83	1.94	8.19	1.98	8.56	2.01	8.74	2.03	8.92	2.05	9.30	2.08	9.68	2.12		
						27	7.68	1.99	8.04	2.03	8.40	2.06	8.59	2.08	8.77	2.10	9.15	2.13	9.53	2.17		
						29	7.53	2.04	7.89	2.08	8.25	2.11	8.44	2.13	8.62	2.15	9.00	2.18	9.38	2.22		
						31	7.37	2.09	7.74	2.13	8.10	2.16	8.29	2.18	8.47	2.20	8.85	2.24	9.23	2.27		
						33	7.22	2.14	7.58	2.18	7.95	2.21	8.14	2.23	8.32	2.25	8.70	2.29	9.08	2.32		
						35	7.07	2.19	7.43	2.23	7.80	2.27	8.00	2.28	8.17	2.30	8.55	2.34	8.93	2.38		
						37	6.92	2.25	7.28	2.28	7.65	2.32	7.84	2.34	8.02	2.36	8.40	2.39	8.79	2.43		
						39	6.77	2.30	7.13	2.34	7.50	2.37	7.69	2.39	7.87	2.41	8.25	2.45	8.64	2.49		
42	6.54	2.38	6.91	2.42	7.28	2.46	7.46	2.48	7.65	2.49	8.03	2.53	8.42	2.57								
44	6.39	2.44	6.76	2.47	7.13	2.51	7.32	2.53	7.50	2.55	7.88	2.59	8.27	2.63								
46	6.24	2.49	6.61	2.53	6.98	2.57	7.17	2.59	7.36	2.61	7.74	2.65	8.12	2.68								
2000	2500	2500	2500	9500	119%	10	8.67	1.54	9.01	1.57	9.36	1.60	9.53	1.62	9.71	1.63	10.06	1.67	10.42	1.70		
						12	8.52	1.58	8.86	1.61	9.21	1.64	9.38	1.66	9.56	1.68	9.91	1.71	10.28	1.74		
						14	8.37	1.62	8.71	1.65	9.06	1.69	9.23	1.70	9.41	1.72	9.77	1.75	10.13	1.79		
						16	8.22	1.66	8.56	1.70	8.91	1.73	9.08	1.75	9.26	1.76	9.62	1.80	9.98	1.83		
						18	8.07	1.71	8.41	1.74	8.76	1.77	8.94	1.79	9.11	1.81	9.47	1.84	9.84	1.87		
						20	7.92	1.75	8.26	1.78	8.61	1.82	8.79	1.83	8.97	1.85	9.33	1.89	9.69	1.92		
						21	7.85	1.77	8.19	1.81	8.54	1.84	8.72	1.86	8.89	1.87	9.25	1.91	9.62	1.94		
						23	7.70	1.82	8.04	1.85	8.39	1.89	8.57	1.90	8.75	1.92	9.11	1.95	9.47	1.99		
						25	7.55	1.86	7.89	1.90	8.25	1.93	8.42	1.95	8.60	1.97	8.96	2.00	9.33	2.04		
						27	7.40	1.91	7.75	1.95	8.10	1.98	8.28	2.00	8.46	2.01	8.82	2.05	9.18	2.08		
						29	7.25	1.96	7.60	1.99	7.95	2.03	8.13	2.05	8.31	2.06	8.67	2.10	9.04	2.13		
						31	7.11	2.01	7.45	2.04	7.81	2.08	7.99	2.09	8.16	2.11	8.53	2.15	8.90	2.18		
						33	6.96	2.06	7.31	2.09	7.66	2.13	7.84	2.14	8.02	2.16	8.38	2.20	8.75	2.23		
						35	6.81	2.11	7.16	2.14	7.52	2.18	7.71	2.19	7.88	2.21	8.24	2.25	8.61	2.28		
						37	6.67	2.16	7.02	2.19	7.37	2.23	7.55	2.25	7.73	2.26	8.10	2.30	8.47	2.34		
						39	6.52	2.21	6.87	2.24	7.23	2.28	7.41	2.30	7.59	2.32	7.95	2.35	8.32	2.39		
42	6.31	2.29	6.66	2.32	7.01	2.36	7.19	2.38	7.37	2.40	7.74	2.43	8.11	2.47								
44	6.16	2.34	6.51	2.38	6.87	2.41	7.05	2.43	7.23	2.45	7.60	2.49	7.97	2.52								
46	6.02	2.39	6.37	2.43	6.73	2.47	6.91	2.49	7.09	2.50	7.46	2.54	7.83	2.58								

# 12. Capacity Table

## 12-6. AJ080MCJ4EH/EU

### COOLING

Combination (Capacity Index)				Combination (Total)	Combination (%)	Outdoor Temperature (°C, DB)	Indoor Temperature (°C, WB)													
							14		16		18		19		20		22		24	
							TC(kW)	PI(kW)	TC(kW)	PI(kW)	TC(kW)	PI(kW)	TC(kW)	PI(kW)	TC(kW)	PI(kW)	TC(kW)	PI(kW)	TC(kW)	PI(kW)
2000	2500	2500	3500	10500	131%	10	9.00	1.59	9.35	1.62	9.71	1.65	9.89	1.67	10.07	1.69	10.44	1.72	10.81	1.75
						12	8.84	1.63	9.19	1.66	9.55	1.70	9.73	1.71	9.92	1.73	10.29	1.76	10.66	1.80
						14	8.68	1.67	9.04	1.71	9.40	1.74	9.58	1.76	9.76	1.77	10.13	1.81	10.51	1.84
						16	8.53	1.72	8.88	1.75	9.24	1.78	9.43	1.80	9.61	1.82	9.98	1.85	10.36	1.89
						18	8.37	1.76	8.73	1.79	9.09	1.83	9.27	1.85	9.46	1.86	9.83	1.90	10.21	1.93
						20	8.22	1.81	8.57	1.84	8.94	1.88	9.12	1.89	9.30	1.91	9.68	1.95	10.05	1.98
						21	8.14	1.83	8.50	1.86	8.86	1.90	9.04	1.92	9.23	1.93	9.60	1.97	9.98	2.00
						23	7.99	1.88	8.34	1.91	8.71	1.95	8.89	1.96	9.08	1.98	9.45	2.02	9.83	2.05
						25	7.83	1.92	8.19	1.96	8.56	1.99	8.74	2.01	8.92	2.03	9.30	2.07	9.68	2.10
						27	7.68	1.97	8.04	2.01	8.40	2.04	8.59	2.06	8.77	2.08	9.15	2.11	9.53	2.15
						29	7.53	2.02	7.89	2.06	8.25	2.09	8.44	2.11	8.62	2.13	9.00	2.16	9.38	2.20
						31	7.37	2.07	7.74	2.11	8.10	2.14	8.29	2.16	8.47	2.18	8.85	2.22	9.23	2.25
						33	7.22	2.12	7.58	2.16	7.95	2.19	8.14	2.21	8.32	2.23	8.70	2.27	9.08	2.30
						35	7.07	2.17	7.43	2.21	7.80	2.25	8.00	2.26	8.17	2.28	8.55	2.32	8.93	2.36
						37	6.92	2.23	7.28	2.26	7.65	2.30	7.84	2.32	8.02	2.34	8.40	2.37	8.79	2.41
						39	6.77	2.28	7.13	2.32	7.50	2.35	7.69	2.37	7.87	2.39	8.25	2.43	8.64	2.46
42	6.54	2.36	6.91	2.40	7.28	2.43	7.46	2.45	7.65	2.47	8.03	2.51	8.42	2.55						
44	6.39	2.42	6.76	2.45	7.13	2.49	7.32	2.51	7.50	2.53	7.88	2.57	8.27	2.60						
46	6.24	2.47	6.61	2.51	6.98	2.55	7.17	2.57	7.36	2.58	7.74	2.62	8.12	2.66						
2000	2500	2500	5000	12000	150%	10	9.00	1.61	9.35	1.65	9.71	1.68	9.89	1.70	10.07	1.72	10.44	1.75	10.81	1.79
						12	8.84	1.66	9.19	1.69	9.55	1.73	9.73	1.74	9.92	1.76	10.29	1.80	10.66	1.83
						14	8.68	1.70	9.04	1.74	9.40	1.77	9.58	1.79	9.76	1.81	10.13	1.84	10.51	1.88
						16	8.53	1.75	8.88	1.78	9.24	1.82	9.43	1.83	9.61	1.85	9.98	1.89	10.36	1.92
						18	8.37	1.79	8.73	1.83	9.09	1.86	9.27	1.88	9.46	1.90	9.83	1.93	10.21	1.97
						20	8.22	1.84	8.57	1.87	8.94	1.91	9.12	1.93	9.30	1.94	9.68	1.98	10.05	2.02
						21	8.14	1.86	8.50	1.90	8.86	1.93	9.04	1.95	9.23	1.97	9.60	2.00	9.98	2.04
						23	7.99	1.91	8.34	1.94	8.71	1.98	8.89	2.00	9.08	2.02	9.45	2.05	9.83	2.09
						25	7.83	1.96	8.19	1.99	8.56	2.03	8.74	2.05	8.92	2.07	9.30	2.10	9.68	2.14
						27	7.68	2.01	8.04	2.04	8.40	2.08	8.59	2.10	8.77	2.12	9.15	2.15	9.53	2.19
						29	7.53	2.06	7.89	2.09	8.25	2.13	8.44	2.15	8.62	2.17	9.00	2.20	9.38	2.24
						31	7.37	2.11	7.74	2.14	8.10	2.18	8.29	2.20	8.47	2.22	8.85	2.25	9.23	2.29
						33	7.22	2.16	7.58	2.20	7.95	2.23	8.14	2.25	8.32	2.27	8.70	2.31	9.08	2.34
						35	7.07	2.21	7.43	2.25	7.80	2.29	8.00	2.30	8.17	2.32	8.55	2.36	8.93	2.40
						37	6.92	2.27	7.28	2.30	7.65	2.34	7.84	2.36	8.02	2.38	8.40	2.42	8.79	2.45
						39	6.77	2.32	7.13	2.36	7.50	2.39	7.69	2.41	7.87	2.43	8.25	2.47	8.64	2.51
42	6.54	2.40	6.91	2.44	7.28	2.48	7.46	2.50	7.65	2.52	8.03	2.55	8.42	2.59						
44	6.39	2.46	6.76	2.50	7.13	2.53	7.32	2.55	7.50	2.57	7.88	2.61	8.27	2.65						
46	6.24	2.51	6.61	2.55	6.98	2.59	7.17	2.61	7.36	2.63	7.74	2.67	8.12	2.71						



# 12. Capacity Table

## 12-6. AJ080MCJ4EH/EU

### COOLING

Combination (Capacity Index)				Combination (Total)	Combination (%)	Outdoor Temperature (°C, DB)	Indoor Temperature (°C, WB)															
							14		16		18		19		20		22		24			
							TC(kW)	PI(kW)	TC(kW)	PI(kW)	TC(kW)	PI(kW)	TC(kW)	PI(kW)	TC(kW)	PI(kW)	TC(kW)	PI(kW)	TC(kW)	PI(kW)		
2000	2500	3500	3500	11500	144%	10	9.00	1.61	9.35	1.65	9.71	1.68	9.89	1.70	10.07	1.72	10.44	1.75	10.81	1.79		
						12	8.84	1.66	9.19	1.69	9.55	1.73	9.73	1.74	9.92	1.76	10.29	1.80	10.66	1.83		
						14	8.68	1.70	9.04	1.74	9.40	1.77	9.58	1.79	9.76	1.81	10.13	1.84	10.51	1.88		
						16	8.53	1.75	8.88	1.78	9.24	1.82	9.43	1.83	9.61	1.85	9.98	1.89	10.36	1.92		
						18	8.37	1.79	8.73	1.83	9.09	1.86	9.27	1.88	9.46	1.90	9.83	1.93	10.21	1.97		
						20	8.22	1.84	8.57	1.87	8.94	1.91	9.12	1.93	9.30	1.94	9.68	1.98	10.05	2.02		
						21	8.14	1.86	8.50	1.90	8.86	1.93	9.04	1.95	9.23	1.97	9.60	2.00	9.98	2.04		
						23	7.99	1.91	8.34	1.94	8.71	1.98	8.89	2.00	9.08	2.02	9.45	2.05	9.83	2.09		
						25	7.83	1.96	8.19	1.99	8.56	2.03	8.74	2.05	8.92	2.07	9.30	2.10	9.68	2.14		
						27	7.68	2.01	8.04	2.04	8.40	2.08	8.59	2.10	8.77	2.12	9.15	2.15	9.53	2.19		
						29	7.53	2.06	7.89	2.09	8.25	2.13	8.44	2.15	8.62	2.17	9.00	2.20	9.38	2.24		
						31	7.37	2.11	7.74	2.14	8.10	2.18	8.29	2.20	8.47	2.22	8.85	2.25	9.23	2.29		
						33	7.22	2.16	7.58	2.20	7.95	2.23	8.14	2.25	8.32	2.27	8.70	2.31	9.08	2.34		
						35	7.07	2.21	7.43	2.25	7.80	2.29	8.00	2.30	8.17	2.32	8.55	2.36	8.93	2.40		
						37	6.92	2.27	7.28	2.30	7.65	2.34	7.84	2.36	8.02	2.38	8.40	2.42	8.79	2.45		
						39	6.77	2.32	7.13	2.36	7.50	2.39	7.69	2.41	7.87	2.43	8.25	2.47	8.64	2.51		
42	6.54	2.40	6.91	2.44	7.28	2.48	7.46	2.50	7.65	2.52	8.03	2.55	8.42	2.59								
44	6.39	2.46	6.76	2.50	7.13	2.53	7.32	2.55	7.50	2.57	7.88	2.61	8.27	2.65								
46	6.24	2.51	6.61	2.55	6.98	2.59	7.17	2.61	7.36	2.63	7.74	2.67	8.12	2.71								
2500	2500	2500	2500	10000	125%	10	8.73	1.56	9.07	1.59	9.42	1.62	9.59	1.64	9.77	1.66	10.13	1.69	10.49	1.72		
						12	8.57	1.60	8.92	1.63	9.27	1.67	9.44	1.68	9.62	1.70	9.98	1.73	10.34	1.77		
						14	8.42	1.64	8.77	1.68	9.12	1.71	9.29	1.73	9.47	1.74	9.83	1.78	10.19	1.81		
						16	8.27	1.69	8.62	1.72	8.97	1.75	9.14	1.77	9.32	1.79	9.68	1.82	10.05	1.85		
						18	8.12	1.73	8.47	1.76	8.82	1.80	8.99	1.81	9.17	1.83	9.53	1.87	9.90	1.90		
						20	7.97	1.77	8.32	1.81	8.67	1.84	8.85	1.86	9.03	1.88	9.39	1.91	9.75	1.95		
						21	7.90	1.80	8.24	1.83	8.59	1.87	8.77	1.88	8.95	1.90	9.31	1.93	9.68	1.97		
						23	7.75	1.84	8.09	1.88	8.45	1.91	8.62	1.93	8.80	1.95	9.17	1.98	9.53	2.02		
						25	7.60	1.89	7.95	1.92	8.30	1.96	8.48	1.98	8.66	1.99	9.02	2.03	9.39	2.06		
						27	7.45	1.94	7.80	1.97	8.15	2.01	8.33	2.02	8.51	2.04	8.87	2.08	9.24	2.11		
						29	7.30	1.99	7.65	2.02	8.00	2.06	8.18	2.07	8.36	2.09	8.73	2.13	9.10	2.16		
						31	7.15	2.03	7.50	2.07	7.86	2.11	8.04	2.12	8.22	2.14	8.58	2.18	8.95	2.21		
						33	7.01	2.08	7.36	2.12	7.71	2.16	7.89	2.17	8.07	2.19	8.44	2.23	8.81	2.26		
						35	6.86	2.13	7.21	2.17	7.57	2.21	7.76	2.22	7.93	2.24	8.29	2.28	8.67	2.31		
						37	6.71	2.19	7.06	2.22	7.42	2.26	7.60	2.28	7.78	2.29	8.15	2.33	8.52	2.37		
						39	6.57	2.24	6.92	2.27	7.28	2.31	7.46	2.33	7.64	2.35	8.01	2.38	8.38	2.42		
42	6.35	2.32	6.70	2.35	7.06	2.39	7.24	2.41	7.42	2.43	7.79	2.47	8.16	2.50								
44	6.20	2.37	6.56	2.41	6.91	2.45	7.10	2.46	7.28	2.48	7.65	2.52	8.02	2.56								
46	6.06	2.43	6.41	2.46	6.77	2.50	6.95	2.52	7.14	2.54	7.51	2.58	7.88	2.61								

# 12. Capacity Table

## 12-6. AJ080MCJ4EH/EU

### COOLING

Combination (Capacity Index)				Combination (Total)	Combination (%)	Outdoor Temperature (°C, DB)	Indoor Temperature (°C, WB)													
							14		16		18		19		20		22		24	
							TC(kW)	PI(kW)	TC(kW)	PI(kW)	TC(kW)	PI(kW)	TC(kW)	PI(kW)	TC(kW)	PI(kW)	TC(kW)	PI(kW)	TC(kW)	PI(kW)
2500	2500	2500	3500	11000	138%	10	9.00	1.61	9.35	1.65	9.71	1.68	9.89	1.70	10.07	1.72	10.44	1.75	10.81	1.79
						12	8.84	1.66	9.19	1.69	9.55	1.73	9.73	1.74	9.92	1.76	10.29	1.80	10.66	1.83
						14	8.68	1.70	9.04	1.74	9.40	1.77	9.58	1.79	9.76	1.81	10.13	1.84	10.51	1.88
						16	8.53	1.75	8.88	1.78	9.24	1.82	9.43	1.83	9.61	1.85	9.98	1.89	10.36	1.92
						18	8.37	1.79	8.73	1.83	9.09	1.86	9.27	1.88	9.46	1.90	9.83	1.93	10.21	1.97
						20	8.22	1.84	8.57	1.87	8.94	1.91	9.12	1.93	9.30	1.94	9.68	1.98	10.05	2.02
						21	8.14	1.86	8.50	1.90	8.86	1.93	9.04	1.95	9.23	1.97	9.60	2.00	9.98	2.04
						23	7.99	1.91	8.34	1.94	8.71	1.98	8.89	2.00	9.08	2.02	9.45	2.05	9.83	2.09
						25	7.83	1.96	8.19	1.99	8.56	2.03	8.74	2.05	8.92	2.07	9.30	2.10	9.68	2.14
						27	7.68	2.01	8.04	2.04	8.40	2.08	8.59	2.10	8.77	2.12	9.15	2.15	9.53	2.19
						29	7.53	2.06	7.89	2.09	8.25	2.13	8.44	2.15	8.62	2.17	9.00	2.20	9.38	2.24
						31	7.37	2.11	7.74	2.14	8.10	2.18	8.29	2.20	8.47	2.22	8.85	2.25	9.23	2.29
						33	7.22	2.16	7.58	2.20	7.95	2.23	8.14	2.25	8.32	2.27	8.70	2.31	9.08	2.34
						35	7.07	2.21	7.43	2.25	7.80	2.29	8.00	2.30	8.17	2.32	8.55	2.36	8.93	2.40
						37	6.92	2.27	7.28	2.30	7.65	2.34	7.84	2.36	8.02	2.38	8.40	2.42	8.79	2.45
						39	6.77	2.32	7.13	2.36	7.50	2.39	7.69	2.41	7.87	2.43	8.25	2.47	8.64	2.51
						42	6.54	2.40	6.91	2.44	7.28	2.48	7.46	2.50	7.65	2.52	8.03	2.55	8.42	2.59
44	6.39	2.46	6.76	2.50	7.13	2.53	7.32	2.55	7.50	2.57	7.88	2.61	8.27	2.65						
46	6.24	2.51	6.61	2.55	6.98	2.59	7.17	2.61	7.36	2.63	7.74	2.67	8.12	2.71						
2500	2500	3500	3500	12000	150%	10	9.00	1.61	9.35	1.65	9.71	1.68	9.89	1.70	10.07	1.72	10.44	1.75	10.81	1.79
						12	8.84	1.66	9.19	1.69	9.55	1.73	9.73	1.74	9.92	1.76	10.29	1.80	10.66	1.83
						14	8.68	1.70	9.04	1.74	9.40	1.77	9.58	1.79	9.76	1.81	10.13	1.84	10.51	1.88
						16	8.53	1.75	8.88	1.78	9.24	1.82	9.43	1.83	9.61	1.85	9.98	1.89	10.36	1.92
						18	8.37	1.79	8.73	1.83	9.09	1.86	9.27	1.88	9.46	1.90	9.83	1.93	10.21	1.97
						20	8.22	1.84	8.57	1.87	8.94	1.91	9.12	1.93	9.30	1.94	9.68	1.98	10.05	2.02
						21	8.14	1.86	8.50	1.90	8.86	1.93	9.04	1.95	9.23	1.97	9.60	2.00	9.98	2.04
						23	7.99	1.91	8.34	1.94	8.71	1.98	8.89	2.00	9.08	2.02	9.45	2.05	9.83	2.09
						25	7.83	1.96	8.19	1.99	8.56	2.03	8.74	2.05	8.92	2.07	9.30	2.10	9.68	2.14
						27	7.68	2.01	8.04	2.04	8.40	2.08	8.59	2.10	8.77	2.12	9.15	2.15	9.53	2.19
						29	7.53	2.06	7.89	2.09	8.25	2.13	8.44	2.15	8.62	2.17	9.00	2.20	9.38	2.24
						31	7.37	2.11	7.74	2.14	8.10	2.18	8.29	2.20	8.47	2.22	8.85	2.25	9.23	2.29
						33	7.22	2.16	7.58	2.20	7.95	2.23	8.14	2.25	8.32	2.27	8.70	2.31	9.08	2.34
						35	7.07	2.21	7.43	2.25	7.80	2.29	8.00	2.30	8.17	2.32	8.55	2.36	8.93	2.40
						37	6.92	2.27	7.28	2.30	7.65	2.34	7.84	2.36	8.02	2.38	8.40	2.42	8.79	2.45
						39	6.77	2.32	7.13	2.36	7.50	2.39	7.69	2.41	7.87	2.43	8.25	2.47	8.64	2.51
						42	6.54	2.40	6.91	2.44	7.28	2.48	7.46	2.50	7.65	2.52	8.03	2.55	8.42	2.59
44	6.39	2.46	6.76	2.50	7.13	2.53	7.32	2.55	7.50	2.57	7.88	2.61	8.27	2.65						
46	6.24	2.51	6.61	2.55	6.98	2.59	7.17	2.61	7.36	2.63	7.74	2.67	8.12	2.71						

### NOTE

- Cooling capacity is based on 27°CDB / 19°CWB (indoor temperature), 35°CDB (outdoor temperature).
- Heating capacity is based on 20°CDB (indoor temperature), 7°CDB/6°CWB (outdoor temperature).
- The above is the value for connecting with the following indoor units.
  - 2000, 2500, 3500, 5000, 6800W class: Wall Mounted
- Capacities are based on the following conditions:
  - Corresponding refrigerant piping length : 5m / - Level difference : 0m
- The total ability of connected a indoor unit is up to 12kW
- It is impossible to connect the indoor unit for one room only.
- This data is reference data for temperature capacity trend.

# 12. Capacity Table

## 12-6. AJ080MCJ4EH/EU

### HEATING

Combination (Capacity Index)				Combination (Total)	Combination (%)	Outdoor Temperature (°C, DB)	Indoor Temperature (°C, DB)															
							14		16		18		20		21		22		24			
							TC(kW)	PI(kW)	TC(kW)	PI(kW)	TC(kW)	PI(kW)	TC(kW)	PI(kW)	TC(kW)	PI(kW)	TC(kW)	PI(kW)	TC(kW)	PI(kW)		
2000				2000	25%	-15	1.26	0.76	1.22	0.77	1.18	0.78	1.17	0.78	1.15	0.79	1.13	0.79	1.11	0.80		
						-10	1.51	0.79	1.47	0.81	1.43	0.82	1.41	0.82	1.40	0.83	1.37	0.83	1.34	0.84		
						-5	1.76	0.83	1.71	0.85	1.67	0.86	1.66	0.86	1.64	0.87	1.61	0.88	1.58	0.88		
						0	2.01	0.87	1.96	0.89	1.92	0.90	1.90	0.90	1.88	0.91	1.85	0.92	1.82	0.93		
						2	2.11	0.89	2.06	0.90	2.02	0.91	2.00	0.92	1.98	0.92	1.95	0.93	1.92	0.94		
						7	2.31	0.92	2.26	0.93	2.21	0.95	2.20	0.95	2.17	0.96	2.14	0.97	2.11	0.98		
						10	2.51	0.95	2.46	0.96	2.41	0.98	2.39	0.98	2.37	0.99	2.33	1.00	2.30	1.01		
2500				2500	31%	-15	1.89	0.91	1.83	0.93	1.78	0.94	1.75	0.95	1.73	0.95	1.69	0.96	1.66	0.97		
						-10	2.26	0.96	2.20	0.98	2.14	0.99	2.12	1.00	2.09	1.00	2.05	1.01	2.02	1.02		
						-5	2.64	1.01	2.57	1.02	2.51	1.04	2.48	1.04	2.46	1.05	2.41	1.06	2.37	1.07		
						0	3.01	1.06	2.94	1.07	2.88	1.09	2.85	1.09	2.82	1.10	2.77	1.11	2.73	1.12		
						2	3.16	1.08	3.09	1.09	3.03	1.11	3.00	1.11	2.97	1.12	2.92	1.13	2.87	1.14		
						7	3.46	1.11	3.39	1.13	3.32	1.14	3.30	1.15	3.26	1.16	3.21	1.17	3.16	1.18		
						10	3.76	1.15	3.69	1.17	3.62	1.18	3.59	1.19	3.55	1.20	3.50	1.21	3.45	1.22		
3500				3500	44%	-15	2.29	1.03	2.22	1.05	2.15	1.06	2.13	1.07	2.10	1.07	2.05	1.08	2.01	1.09		
						-10	2.74	1.09	2.67	1.10	2.60	1.12	2.57	1.12	2.54	1.13	2.49	1.14	2.44	1.15		
						-5	3.20	1.14	3.12	1.16	3.04	1.17	3.01	1.18	2.98	1.19	2.92	1.20	2.88	1.21		
						0	3.65	1.19	3.57	1.21	3.49	1.23	3.46	1.24	3.42	1.24	3.36	1.26	3.31	1.27		
						2	3.83	1.22	3.75	1.23	3.67	1.25	3.63	1.26	3.60	1.27	3.54	1.28	3.48	1.29		
						7	4.20	1.26	4.11	1.28	4.03	1.29	4.00	1.30	3.95	1.31	3.89	1.32	3.83	1.34		
						10	4.56	1.30	4.47	1.32	4.38	1.34	4.35	1.35	4.31	1.35	4.24	1.37	4.18	1.38		
5000				5000	63%	-15	3.43	1.39	3.33	1.41	3.23	1.43	3.19	1.44	3.15	1.45	3.08	1.46	3.02	1.47		
						-10	4.11	1.46	4.00	1.49	3.90	1.51	3.85	1.51	3.81	1.52	3.73	1.54	3.67	1.55		
						-5	4.80	1.54	4.67	1.56	4.57	1.58	4.52	1.59	4.47	1.60	4.39	1.61	4.31	1.63		
						0	5.48	1.61	5.35	1.63	5.24	1.65	5.18	1.66	5.13	1.67	5.04	1.69	4.97	1.71		
						2	5.75	1.64	5.62	1.66	5.50	1.68	5.45	1.69	5.40	1.70	5.31	1.72	5.23	1.74		
						7	6.30	1.69	6.16	1.72	6.04	1.74	6.00	1.75	5.93	1.76	5.83	1.78	5.75	1.80		
						10	6.84	1.75	6.70	1.78	6.58	1.80	6.52	1.81	6.46	1.82	6.36	1.84	6.27	1.86		
6800				6800	85%	-15	4.47	1.79	4.33	1.82	4.20	1.84	4.14	1.85	4.09	1.86	4.00	1.88	3.92	1.89		
						-10	5.35	1.88	5.20	1.91	5.07	1.94	5.01	1.95	4.95	1.96	4.85	1.98	4.77	1.99		
						-5	6.23	1.98	6.08	2.00	5.94	2.03	5.87	2.04	5.81	2.05	5.70	2.08	5.61	2.09		
						0	7.12	2.07	6.96	2.10	6.81	2.13	6.74	2.14	6.67	2.15	6.56	2.17	6.45	2.19		
						2	7.47	2.10	7.31	2.14	7.15	2.16	7.08	2.18	7.02	2.19	6.90	2.21	6.79	2.23		
						7	8.19	2.18	8.01	2.21	7.85	2.24	7.80	2.25	7.71	2.27	7.58	2.29	7.47	2.31		
						10	8.90	2.25	8.72	2.28	8.55	2.31	8.47	2.33	8.40	2.34	8.27	2.37	8.15	2.39		
						15	9.79	2.34	9.60	2.38	9.43	2.41	9.34	2.42	9.27	2.44	9.13	2.46	9.00	2.49		

# 12. Capacity Table

## 12-6. AJ080MCJ4EH/EU

### HEATING

Combination (Capacity Index)				Combination (Total)	Combination (%)	Outdoor Temperature (°C, DB)	Indoor Temperature (°C, DB)															
							14		16		18		20		21		22		24			
							TC(kW)	PI(kW)	TC(kW)	PI(kW)	TC(kW)	PI(kW)	TC(kW)	PI(kW)	TC(kW)	PI(kW)	TC(kW)	PI(kW)	TC(kW)	PI(kW)		
2000	2000			4000	50%	-15	2.52	0.97	2.44	0.98	2.37	1.00	2.34	1.00	2.31	1.01	2.26	1.02	2.21	1.03		
						-10	3.02	1.02	2.93	1.04	2.86	1.05	2.82	1.06	2.79	1.06	2.74	1.07	2.69	1.08		
						-5	3.52	1.07	3.43	1.09	3.35	1.10	3.31	1.11	3.28	1.11	3.22	1.13	3.16	1.14		
						0	4.02	1.12	3.92	1.14	3.84	1.15	3.80	1.16	3.76	1.17	3.70	1.18	3.64	1.19		
						2	4.22	1.14	4.12	1.16	4.04	1.17	4.00	1.18	3.96	1.19	3.89	1.20	3.83	1.21		
						7	4.62	1.18	4.52	1.20	4.43	1.21	4.40	1.22	4.35	1.23	4.28	1.24	4.21	1.25		
						10	5.02	1.22	4.92	1.24	4.82	1.25	4.78	1.26	4.74	1.27	4.66	1.28	4.60	1.30		
						15	5.52	1.27	5.41	1.29	5.32	1.31	5.27	1.31	5.23	1.32	5.15	1.34	5.08	1.35		
2000	2500			4500	56%	-15	2.92	1.12	2.83	1.14	2.75	1.15	2.71	1.16	2.68	1.17	2.62	1.18	2.56	1.19		
						-10	3.50	1.18	3.40	1.20	3.31	1.21	3.27	1.22	3.24	1.23	3.17	1.24	3.12	1.25		
						-5	4.08	1.24	3.97	1.26	3.88	1.27	3.84	1.28	3.80	1.29	3.73	1.30	3.67	1.31		
						0	4.66	1.30	4.55	1.31	4.45	1.33	4.41	1.34	4.36	1.35	4.29	1.36	4.22	1.37		
						2	4.89	1.32	4.78	1.34	4.68	1.36	4.63	1.36	4.59	1.37	4.51	1.39	4.44	1.40		
						7	5.35	1.36	5.24	1.38	5.13	1.40	5.10	1.41	5.04	1.42	4.96	1.44	4.89	1.45		
						10	5.82	1.41	5.70	1.43	5.59	1.45	5.54	1.46	5.49	1.47	5.41	1.48	5.33	1.50		
						15	6.40	1.47	6.28	1.49	6.16	1.51	6.11	1.52	6.06	1.53	5.97	1.54	5.88	1.56		
2000	3500			5500	69%	-15	3.43	1.40	3.33	1.42	3.23	1.44	3.19	1.45	3.15	1.45	3.08	1.47	3.02	1.48		
						-10	4.11	1.47	4.00	1.49	3.90	1.51	3.85	1.52	3.81	1.53	3.73	1.55	3.67	1.56		
						-5	4.80	1.55	4.67	1.57	4.57	1.59	4.52	1.60	4.47	1.61	4.39	1.62	4.31	1.64		
						0	5.48	1.62	5.35	1.64	5.24	1.66	5.18	1.67	5.13	1.68	5.04	1.70	4.97	1.72		
						2	5.75	1.65	5.62	1.67	5.50	1.69	5.45	1.70	5.40	1.71	5.31	1.73	5.23	1.75		
						7	6.30	1.70	6.16	1.73	6.04	1.75	6.00	1.76	5.93	1.77	5.83	1.79	5.75	1.81		
						10	6.84	1.76	6.70	1.79	6.58	1.81	6.52	1.82	6.46	1.83	6.36	1.85	6.27	1.87		
						15	7.53	1.83	7.38	1.86	7.25	1.88	7.19	1.89	7.13	1.91	7.02	1.93	6.92	1.95		
2000	5000			7000	88%	-15	4.47	1.72	4.33	1.74	4.20	1.77	4.14	1.78	4.09	1.79	4.00	1.80	3.92	1.82		
						-10	5.35	1.81	5.20	1.83	5.07	1.86	5.01	1.87	4.95	1.88	4.85	1.90	4.77	1.91		
						-5	6.23	1.90	6.08	1.92	5.94	1.95	5.87	1.96	5.81	1.97	5.70	1.99	5.61	2.01		
						0	7.12	1.98	6.96	2.01	6.81	2.04	6.74	2.05	6.67	2.07	6.56	2.09	6.45	2.11		
						2	7.47	2.02	7.31	2.05	7.15	2.08	7.08	2.09	7.02	2.10	6.90	2.12	6.79	2.14		
						7	8.19	2.09	8.01	2.12	7.85	2.15	7.80	2.16	7.71	2.18	7.58	2.20	7.47	2.22		
						10	8.90	2.16	8.72	2.19	8.55	2.22	8.47	2.24	8.40	2.25	8.27	2.27	8.15	2.29		
						15	9.79	2.25	9.60	2.28	9.43	2.31	9.34	2.33	9.27	2.34	9.13	2.36	9.00	2.39		
2000	6800			8800	110%	-15	4.65	1.79	4.50	1.82	4.37	1.84	4.31	1.85	4.26	1.86	4.16	1.88	4.08	1.89		
						-10	5.57	1.88	5.41	1.91	5.28	1.94	5.21	1.95	5.15	1.96	5.05	1.98	4.96	1.99		
						-5	6.49	1.98	6.33	2.00	6.18	2.03	6.11	2.04	6.05	2.05	5.94	2.08	5.84	2.09		
						0	7.41	2.07	7.24	2.10	7.09	2.13	7.01	2.14	6.95	2.15	6.83	2.17	6.72	2.19		
						2	7.78	2.10	7.61	2.14	7.45	2.16	7.38	2.18	7.31	2.19	7.18	2.21	7.07	2.23		
						7	8.52	2.18	8.34	2.21	8.17	2.24	8.12	2.25	8.03	2.27	7.89	2.29	7.78	2.31		
						10	9.26	2.25	9.07	2.28	8.90	2.31	8.82	2.33	8.75	2.34	8.61	2.37	8.48	2.39		
						15	10.19	2.34	9.99	2.38	9.81	2.41	9.73	2.42	9.65	2.44	9.50	2.46	9.37	2.49		

# 12. Capacity Table

## 12-6. AJ080MCJ4EH/EU

### HEATING

Combination (Capacity Index)				Combination (Total)	Combination (%)	Outdoor Temperature (°C, DB)	Indoor Temperature (°C, DB)															
							14		16		18		20		21		22		24			
							TC(kW)	PI(kW)	TC(kW)	PI(kW)	TC(kW)	PI(kW)	TC(kW)	PI(kW)	TC(kW)	PI(kW)	TC(kW)	PI(kW)	TC(kW)	PI(kW)		
2500	2500			5000	63%	-15	3.32	1.27	3.22	1.29	3.12	1.31	3.08	1.32	3.04	1.32	2.97	1.34	2.92	1.35		
						-10	3.98	1.34	3.87	1.36	3.77	1.38	3.72	1.38	3.68	1.39	3.61	1.41	3.54	1.42		
						-5	4.64	1.40	4.52	1.43	4.41	1.44	4.37	1.45	4.32	1.46	4.24	1.48	4.17	1.49		
						0	5.29	1.47	5.17	1.49	5.06	1.51	5.01	1.52	4.96	1.53	4.88	1.55	4.80	1.56		
						2	5.56	1.50	5.43	1.52	5.32	1.54	5.27	1.55	5.22	1.56	5.13	1.57	5.05	1.59		
						7	6.09	1.55	5.96	1.57	5.84	1.59	5.80	1.60	5.73	1.61	5.64	1.63	5.56	1.64		
						10	6.62	1.60	6.48	1.62	6.36	1.65	6.30	1.66	6.25	1.67	6.15	1.68	6.06	1.70		
2500	3500			6000	75%	-15	3.84	1.54	3.72	1.57	3.61	1.59	3.56	1.59	3.52	1.60	3.44	1.62	3.37	1.63		
						-10	4.59	1.62	4.47	1.65	4.35	1.67	4.30	1.68	4.25	1.69	4.17	1.70	4.09	1.72		
						-5	5.35	1.70	5.22	1.73	5.10	1.75	5.04	1.76	4.99	1.77	4.90	1.79	4.82	1.81		
						0	6.12	1.78	5.97	1.81	5.85	1.83	5.79	1.84	5.73	1.86	5.63	1.87	5.54	1.89		
						2	6.42	1.81	6.28	1.84	6.15	1.87	6.09	1.88	6.03	1.89	5.93	1.91	5.84	1.93		
						7	7.03	1.88	6.88	1.91	6.74	1.93	6.70	1.94	6.62	1.95	6.51	1.97	6.42	1.99		
						10	7.64	1.94	7.49	1.97	7.34	2.00	7.28	2.01	7.22	2.02	7.10	2.04	7.00	2.06		
2500	5000			7500	94%	-15	4.47	1.72	4.33	1.74	4.20	1.77	4.14	1.78	4.09	1.79	4.00	1.80	3.92	1.82		
						-10	5.35	1.81	5.20	1.83	5.07	1.86	5.01	1.87	4.95	1.88	4.85	1.90	4.77	1.91		
						-5	6.23	1.90	6.08	1.92	5.94	1.95	5.87	1.96	5.81	1.97	5.70	1.99	5.61	2.01		
						0	7.12	1.98	6.96	2.01	6.81	2.04	6.74	2.05	6.67	2.07	6.56	2.09	6.45	2.11		
						2	7.47	2.02	7.31	2.05	7.15	2.08	7.08	2.09	7.02	2.10	6.90	2.12	6.79	2.14		
						7	8.19	2.09	8.01	2.12	7.85	2.15	7.80	2.16	7.71	2.18	7.58	2.20	7.47	2.22		
						10	8.90	2.16	8.72	2.19	8.55	2.22	8.47	2.24	8.40	2.25	8.27	2.27	8.15	2.29		
2500	6800			9300	116%	-15	4.78	1.86	4.63	1.89	4.50	1.91	4.44	1.92	4.38	1.93	4.28	1.95	4.20	1.97		
						-10	5.73	1.96	5.57	1.99	5.43	2.01	5.36	2.02	5.30	2.04	5.19	2.06	5.10	2.07		
						-5	6.67	2.05	6.51	2.08	6.35	2.11	6.29	2.13	6.22	2.14	6.10	2.16	6.00	2.18		
						0	7.62	2.15	7.45	2.18	7.29	2.21	7.21	2.22	7.14	2.24	7.02	2.26	6.91	2.28		
						2	8.00	2.19	7.82	2.22	7.66	2.25	7.58	2.26	7.51	2.28	7.38	2.30	7.27	2.32		
						7	8.76	2.26	8.58	2.30	8.41	2.33	8.35	2.34	8.25	2.36	8.12	2.38	8.00	2.40		
						10	9.52	2.34	9.33	2.37	9.15	2.41	9.07	2.42	8.99	2.44	8.85	2.46	8.73	2.49		
3500	3500			7000	88%	-15	4.35	1.73	4.21	1.76	4.09	1.78	4.04	1.79	3.99	1.80	3.90	1.82	3.82	1.83		
						-10	5.21	1.82	5.07	1.85	4.94	1.88	4.88	1.89	4.82	1.90	4.73	1.92	4.64	1.93		
						-5	6.07	1.91	5.92	1.94	5.78	1.97	5.72	1.98	5.66	1.99	5.56	2.01	5.47	2.03		
						0	6.94	2.00	6.78	2.03	6.63	2.06	6.57	2.07	6.50	2.08	6.39	2.11	6.29	2.12		
						2	7.28	2.04	7.12	2.07	6.97	2.10	6.90	2.11	6.84	2.12	6.72	2.14	6.62	2.16		
						7	7.98	2.11	7.81	2.14	7.65	2.17	7.60	2.18	7.51	2.20	7.39	2.22	7.28	2.24		
						10	8.67	2.18	8.49	2.21	8.33	2.24	8.26	2.26	8.19	2.27	8.06	2.29	7.94	2.32		
15	9.54	2.27	9.35	2.30	9.18	2.33	9.10	2.35	9.03	2.36	8.89	2.39	8.77	2.41								

# 12. Capacity Table

## 12-6. AJ080MCJ4EH/EU

### HEATING

Combination (Capacity Index)			Combination (Total)	Combination (%)	Outdoor Temperature (°C, DB)	Indoor Temperature (°C, DB)													
						14		16		18		20		21		22		24	
						TC(kW)	PI(kW)	TC(kW)	PI(kW)	TC(kW)	PI(kW)	TC(kW)	PI(kW)	TC(kW)	PI(kW)	TC(kW)	PI(kW)	TC(kW)	PI(kW)
3500	5000		8500	106%	-15	4.65	1.79	4.50	1.82	4.37	1.84	4.31	1.85	4.26	1.86	4.16	1.88	4.08	1.89
					-10	5.57	1.88	5.41	1.91	5.28	1.94	5.21	1.95	5.15	1.96	5.05	1.98	4.96	1.99
					-5	6.49	1.98	6.33	2.00	6.18	2.03	6.11	2.04	6.05	2.05	5.94	2.08	5.84	2.09
					0	7.41	2.07	7.24	2.10	7.09	2.13	7.01	2.14	6.95	2.15	6.83	2.17	6.72	2.19
					2	7.78	2.10	7.61	2.14	7.45	2.16	7.38	2.18	7.31	2.19	7.18	2.21	7.07	2.23
					7	8.52	2.18	8.34	2.21	8.17	2.24	8.12	2.25	8.03	2.27	7.89	2.29	7.78	2.31
					10	9.26	2.25	9.07	2.28	8.90	2.31	8.82	2.33	8.75	2.34	8.61	2.37	8.48	2.39
3500	6800		10300	129%	-15	4.84	1.89	4.69	1.92	4.55	1.95	4.49	1.96	4.43	1.97	4.33	1.99	4.25	2.00
					-10	5.79	1.99	5.63	2.02	5.49	2.05	5.42	2.06	5.36	2.07	5.25	2.09	5.16	2.11
					-5	6.75	2.09	6.58	2.12	6.43	2.15	6.36	2.16	6.30	2.17	6.18	2.20	6.08	2.21
					0	7.71	2.19	7.53	2.22	7.37	2.25	7.30	2.26	7.23	2.28	7.10	2.30	6.99	2.32
					2	8.10	2.23	7.92	2.26	7.75	2.29	7.68	2.30	7.60	2.32	7.47	2.34	7.36	2.36
					7	8.87	2.30	8.68	2.34	8.51	2.37	8.45	2.38	8.35	2.40	8.21	2.42	8.09	2.45
					10	9.64	2.38	9.44	2.42	9.26	2.45	9.18	2.46	9.10	2.48	8.96	2.50	8.83	2.53
5000	5000		10000	125%	-15	4.87	1.86	4.71	1.89	4.58	1.91	4.52	1.92	4.46	1.93	4.36	1.95	4.27	1.97
					-10	5.83	1.96	5.67	1.99	5.52	2.01	5.46	2.02	5.40	2.04	5.29	2.06	5.19	2.07
					-5	6.79	2.05	6.62	2.08	6.47	2.11	6.40	2.13	6.33	2.14	6.21	2.16	6.11	2.18
					0	7.76	2.15	7.58	2.18	7.42	2.21	7.34	2.22	7.27	2.24	7.14	2.26	7.03	2.28
					2	8.15	2.19	7.96	2.22	7.80	2.25	7.72	2.26	7.65	2.28	7.52	2.30	7.40	2.32
					7	8.92	2.26	8.73	2.30	8.56	2.33	8.50	2.34	8.40	2.36	8.26	2.38	8.14	2.40
					10	9.70	2.34	9.50	2.37	9.32	2.41	9.23	2.42	9.16	2.44	9.01	2.46	8.88	2.49
5000	6800		11800	148%	-15	4.95	1.92	4.80	1.95	4.66	1.98	4.60	1.99	4.54	2.00	4.44	2.02	4.35	2.04
					-10	5.93	2.02	5.77	2.05	5.62	2.08	5.55	2.09	5.49	2.11	5.38	2.13	5.28	2.14
					-5	6.91	2.12	6.74	2.16	6.58	2.18	6.51	2.20	6.44	2.21	6.32	2.23	6.22	2.25
					0	7.90	2.22	7.71	2.26	7.55	2.29	7.47	2.30	7.40	2.31	7.27	2.34	7.16	2.36
					2	8.29	2.26	8.10	2.30	7.93	2.33	7.86	2.34	7.78	2.36	7.65	2.38	7.53	2.40
					7	9.08	2.34	8.88	2.38	8.71	2.41	8.65	2.42	8.55	2.44	8.41	2.46	8.29	2.49
					10	9.87	2.42	9.67	2.46	9.48	2.49	9.40	2.50	9.32	2.52	9.17	2.55	9.04	2.57
2000	2000	2000	6000	75%	-15	3.78	1.45	3.66	1.48	3.55	1.50	3.51	1.50	3.46	1.51	3.38	1.53	3.32	1.54
					-10	4.53	1.53	4.40	1.55	4.29	1.57	4.24	1.58	4.19	1.59	4.10	1.61	4.03	1.62
					-5	5.27	1.61	5.14	1.63	5.02	1.65	4.97	1.66	4.92	1.67	4.83	1.69	4.75	1.70
					0	6.02	1.68	5.89	1.71	5.76	1.73	5.70	1.74	5.65	1.75	5.55	1.77	5.46	1.78
					2	6.32	1.71	6.18	1.74	6.05	1.76	5.99	1.77	5.94	1.78	5.84	1.80	5.75	1.82
					7	6.93	1.77	6.78	1.80	6.64	1.82	6.60	1.83	6.52	1.84	6.42	1.86	6.32	1.88
					10	7.53	1.83	7.37	1.86	7.24	1.88	7.17	1.89	7.11	1.91	7.00	1.93	6.90	1.94
15	8.28	1.90	8.12	1.93	7.98	1.96	7.91	1.97	7.84	1.98	7.72	2.00	7.62	2.02					

# 12. Capacity Table

## 12-6. AJ080MCJ4EH/EU

### HEATING

Combination (Capacity Index)				Combination (Total)	Combination (%)	Outdoor Temperature (°C, DB)	Indoor Temperature (°C, DB)															
							14		16		18		20		21		22		24			
							TC(kW)	PI(kW)	TC(kW)	PI(kW)	TC(kW)	PI(kW)	TC(kW)	PI(kW)	TC(kW)	PI(kW)	TC(kW)	PI(kW)	TC(kW)	PI(kW)		
2000	2000	2500	6500	81%	-15	4.18	1.55	4.05	1.57	3.93	1.59	3.88	1.60	3.83	1.61	3.74	1.63	3.67	1.64			
					-10	5.01	1.63	4.87	1.66	4.74	1.68	4.69	1.69	4.63	1.70	4.54	1.71	4.46	1.73			
					-5	5.83	1.71	5.69	1.74	5.56	1.76	5.50	1.77	5.44	1.78	5.34	1.80	5.25	1.81			
					0	6.66	1.79	6.51	1.82	6.37	1.84	6.31	1.85	6.25	1.86	6.14	1.88	6.04	1.90			
					2	7.00	1.82	6.84	1.85	6.70	1.88	6.63	1.89	6.57	1.90	6.46	1.92	6.36	1.94			
					7	7.66	1.89	7.50	1.92	7.35	1.94	7.30	1.95	7.22	1.96	7.10	1.99	6.99	2.00			
					10	8.33	1.95	8.16	1.98	8.00	2.01	7.93	2.02	7.86	2.03	7.74	2.05	7.63	2.07			
2000	2000	3500	7500	94%	-15	4.69	1.71	4.55	1.73	4.42	1.76	4.36	1.77	4.30	1.78	4.20	1.79	4.12	1.81			
					-10	5.62	1.80	5.47	1.83	5.33	1.85	5.26	1.86	5.21	1.87	5.10	1.89	5.01	1.91			
					-5	6.55	1.89	6.39	1.92	6.24	1.94	6.17	1.95	6.11	1.96	5.99	1.98	5.90	2.00			
					0	7.48	1.98	7.31	2.01	7.16	2.03	7.08	2.04	7.02	2.06	6.89	2.08	6.79	2.10			
					2	7.86	2.01	7.68	2.04	7.52	2.07	7.45	2.08	7.38	2.09	7.25	2.11	7.14	2.13			
					7	8.61	2.08	8.42	2.11	8.25	2.14	8.20	2.15	8.10	2.17	7.97	2.19	7.85	2.21			
					10	9.35	2.15	9.16	2.18	8.99	2.21	8.91	2.23	8.83	2.24	8.69	2.26	8.57	2.28			
2000	2000	5000	9000	113%	-15	4.93	1.70	4.78	1.73	4.64	1.75	4.58	1.76	4.52	1.77	4.42	1.79	4.34	1.80			
					-10	5.91	1.79	5.75	1.82	5.60	1.84	5.53	1.85	5.47	1.86	5.36	1.88	5.27	1.90			
					-5	6.89	1.88	6.72	1.91	6.56	1.93	6.49	1.94	6.42	1.95	6.30	1.97	6.20	1.99			
					0	7.87	1.97	7.69	2.00	7.52	2.02	7.45	2.03	7.37	2.05	7.25	2.07	7.13	2.09			
					2	8.26	2.00	8.07	2.03	7.91	2.06	7.83	2.07	7.76	2.08	7.62	2.10	7.51	2.12			
					7	9.05	2.07	8.85	2.10	8.68	2.13	8.62	2.14	8.52	2.16	8.38	2.18	8.26	2.20			
					10	9.83	2.14	9.63	2.17	9.45	2.20	9.36	2.21	9.28	2.23	9.14	2.25	9.01	2.27			
2000	2000	6800	10800	135%	-15	5.01	1.71	4.85	1.73	4.71	1.76	4.65	1.77	4.59	1.78	4.49	1.79	4.40	1.81			
					-10	6.00	1.80	5.83	1.83	5.69	1.85	5.62	1.86	5.55	1.87	5.44	1.89	5.35	1.91			
					-5	6.99	1.89	6.82	1.92	6.66	1.94	6.59	1.95	6.52	1.96	6.40	1.98	6.29	2.00			
					0	7.99	1.98	7.80	2.01	7.64	2.03	7.56	2.04	7.49	2.06	7.35	2.08	7.24	2.10			
					2	8.39	2.01	8.20	2.04	8.03	2.07	7.95	2.08	7.87	2.09	7.74	2.11	7.62	2.13			
					7	9.18	2.08	8.99	2.11	8.81	2.14	8.75	2.15	8.65	2.17	8.51	2.19	8.38	2.21			
					10	9.98	2.15	9.78	2.18	9.59	2.21	9.51	2.23	9.42	2.24	9.27	2.26	9.14	2.28			
2000	2500	2500	7000	88%	-15	4.58	1.65	4.44	1.68	4.31	1.70	4.25	1.71	4.20	1.72	4.10	1.74	4.02	1.75			
					-10	5.49	1.74	5.33	1.77	5.20	1.79	5.14	1.80	5.08	1.81	4.97	1.83	4.89	1.84			
					-5	6.39	1.83	6.23	1.85	6.09	1.88	6.02	1.89	5.96	1.90	5.85	1.92	5.75	1.94			
					0	7.30	1.91	7.13	1.94	6.98	1.97	6.91	1.98	6.84	1.99	6.72	2.01	6.62	2.03			
					2	7.67	1.95	7.49	1.97	7.34	2.00	7.27	2.01	7.20	2.02	7.07	2.05	6.97	2.06			
					7	8.40	2.01	8.22	2.04	8.05	2.07	8.00	2.08	7.91	2.10	7.78	2.12	7.66	2.14			
					10	9.12	2.08	8.94	2.11	8.77	2.14	8.69	2.15	8.62	2.17	8.48	2.19	8.36	2.21			
15	10.04	2.16	9.84	2.20	9.67	2.23	9.58	2.24	9.51	2.25	9.36	2.28	9.23	2.30								







# 12. Capacity Table

## 12-6. AJ080MCJ4EH/EU

### HEATING

Combination (Capacity Index)				Combination (Total)	Combination (%)	Outdoor Temperature (°C, DB)	Indoor Temperature (°C, DB)													
							14		16		18		20		21		22		24	
							TC(kW)	PI(kW)	TC(kW)	PI(kW)	TC(kW)	PI(kW)	TC(kW)	PI(kW)	TC(kW)	PI(kW)	TC(kW)	PI(kW)	TC(kW)	PI(kW)
3500	3500	3500		10500	131%	-15	5.00	1.71	4.84	1.73	4.70	1.76	4.64	1.77	4.58	1.78	4.48	1.79	4.39	1.81
						-10	5.99	1.80	5.82	1.83	5.67	1.85	5.60	1.86	5.54	1.87	5.43	1.89	5.33	1.91
						-5	6.98	1.89	6.80	1.92	6.64	1.94	6.57	1.95	6.50	1.96	6.38	1.98	6.28	2.00
						0	7.97	1.98	7.78	2.01	7.62	2.03	7.54	2.04	7.47	2.06	7.34	2.08	7.22	2.10
						2	8.37	2.01	8.18	2.04	8.01	2.07	7.93	2.08	7.86	2.09	7.72	2.11	7.60	2.13
						7	9.16	2.08	8.97	2.11	8.79	2.14	8.73	2.15	8.63	2.17	8.49	2.19	8.36	2.21
						10	9.96	2.15	9.76	2.18	9.57	2.21	9.48	2.23	9.40	2.24	9.25	2.26	9.12	2.28
						15	10.95	2.24	10.74	2.27	10.55	2.30	10.46	2.31	10.37	2.33	10.21	2.35	10.07	2.38
3500	3500	5000		12000	150%	-15	5.32	1.73	5.16	1.76	5.01	1.78	4.94	1.79	4.88	1.80	4.77	1.82	4.68	1.83
						-10	6.38	1.82	6.20	1.85	6.04	1.88	5.97	1.89	5.90	1.90	5.78	1.92	5.68	1.93
						-5	7.43	1.91	7.25	1.94	7.08	1.97	7.00	1.98	6.93	1.99	6.80	2.01	6.69	2.03
						0	8.49	2.00	8.29	2.03	8.12	2.06	8.03	2.07	7.96	2.08	7.82	2.11	7.70	2.12
						2	8.91	2.04	8.71	2.07	8.53	2.10	8.45	2.11	8.37	2.12	8.22	2.14	8.10	2.16
						7	9.76	2.11	9.55	2.14	9.36	2.17	9.30	2.18	9.19	2.20	9.04	2.22	8.91	2.24
						10	10.61	2.18	10.39	2.21	10.20	2.24	10.10	2.26	10.02	2.27	9.86	2.29	9.72	2.32
						15	11.67	2.27	11.44	2.30	11.24	2.33	11.14	2.35	11.05	2.36	10.88	2.39	10.73	2.41
2000	2000	2000	2000	8000	100%	-15	4.88	1.67	4.72	1.69	4.59	1.72	4.53	1.73	4.47	1.74	4.37	1.75	4.28	1.77
						-10	5.84	1.76	5.68	1.78	5.54	1.81	5.47	1.82	5.41	1.83	5.30	1.85	5.21	1.86
						-5	6.81	1.84	6.64	1.87	6.48	1.90	6.41	1.91	6.35	1.92	6.23	1.94	6.13	1.95
						0	7.78	1.93	7.60	1.96	7.43	1.98	7.36	2.00	7.29	2.01	7.16	2.03	7.05	2.05
						2	8.16	1.96	7.98	1.99	7.82	2.02	7.74	2.03	7.67	2.04	7.53	2.07	7.42	2.08
						7	8.94	2.03	8.75	2.06	8.58	2.09	8.52	2.10	8.42	2.12	8.28	2.14	8.16	2.16
						10	9.72	2.10	9.52	2.13	9.34	2.16	9.26	2.17	9.18	2.19	9.03	2.21	8.90	2.23
						15	10.69	2.18	10.48	2.22	10.30	2.25	10.21	2.26	10.12	2.27	9.97	2.30	9.83	2.32
2000	2000	2000	2500	8500	106%	-15	4.91	1.67	4.76	1.69	4.62	1.72	4.56	1.73	4.50	1.74	4.40	1.75	4.32	1.77
						-10	5.88	1.76	5.72	1.78	5.57	1.81	5.51	1.82	5.45	1.83	5.34	1.85	5.24	1.86
						-5	6.86	1.84	6.68	1.87	6.53	1.90	6.46	1.91	6.39	1.92	6.27	1.94	6.17	1.95
						0	7.83	1.93	7.65	1.96	7.49	1.98	7.41	2.00	7.34	2.01	7.21	2.03	7.10	2.05
						2	8.22	1.96	8.04	1.99	7.87	2.02	7.79	2.03	7.72	2.04	7.59	2.07	7.47	2.08
						7	9.00	2.03	8.81	2.06	8.64	2.09	8.58	2.10	8.48	2.12	8.34	2.14	8.22	2.16
						10	9.79	2.10	9.59	2.13	9.41	2.16	9.32	2.17	9.24	2.19	9.09	2.21	8.97	2.23
						15	10.77	2.18	10.56	2.22	10.37	2.25	10.28	2.26	10.19	2.27	10.04	2.30	9.90	2.32
2000	2000	2000	3500	9500	119%	-15	4.95	1.70	4.80	1.73	4.66	1.75	4.60	1.76	4.54	1.77	4.44	1.79	4.35	1.80
						-10	5.93	1.79	5.77	1.82	5.62	1.84	5.55	1.85	5.49	1.86	5.38	1.88	5.28	1.90
						-5	6.91	1.88	6.74	1.91	6.58	1.93	6.51	1.94	6.44	1.95	6.32	1.97	6.22	1.99
						0	7.90	1.97	7.71	2.00	7.55	2.02	7.47	2.03	7.40	2.05	7.27	2.07	7.16	2.09
						2	8.29	2.00	8.10	2.03	7.93	2.06	7.86	2.07	7.78	2.08	7.65	2.10	7.53	2.12
						7	9.08	2.07	8.88	2.10	8.71	2.13	8.65	2.14	8.55	2.16	8.41	2.18	8.29	2.20
						10	9.87	2.14	9.67	2.17	9.48	2.20	9.40	2.21	9.32	2.23	9.17	2.25	9.04	2.27
						15	10.85	2.23	10.64	2.26	10.45	2.29	10.36	2.30	10.28	2.32	10.12	2.34	9.98	2.37

# 12. Capacity Table

## 12-6. AJ080MCJ4EH/EU

### HEATING

Combination (Capacity Index)				Combination (Total)	Combination (%)	Outdoor Temperature (°C, DB)	Indoor Temperature (°C, DB)															
							14		16		18		20		21		22		24			
							TC(kW)	PI(kW)	TC(kW)	PI(kW)	TC(kW)	PI(kW)	TC(kW)	PI(kW)	TC(kW)	PI(kW)	TC(kW)	PI(kW)	TC(kW)	PI(kW)		
2000	2000	2000	5000	11000	138%	-15	5.32	1.75	5.16	1.77	5.01	1.80	4.94	1.81	4.88	1.82	4.77	1.84	4.68	1.85		
						-10	6.38	1.84	6.20	1.87	6.04	1.89	5.97	1.90	5.90	1.91	5.78	1.93	5.68	1.95		
						-5	7.43	1.93	7.25	1.96	7.08	1.99	7.00	2.00	6.93	2.01	6.80	2.03	6.69	2.05		
						0	8.49	2.02	8.29	2.05	8.12	2.08	8.03	2.09	7.96	2.10	7.82	2.13	7.70	2.14		
						2	8.91	2.06	8.71	2.09	8.53	2.12	8.45	2.13	8.37	2.14	8.22	2.16	8.10	2.18		
						7	9.76	2.13	9.55	2.16	9.36	2.19	9.30	2.20	9.19	2.22	9.04	2.24	8.91	2.26		
						10	10.61	2.20	10.39	2.23	10.20	2.26	10.10	2.28	10.02	2.29	9.86	2.31	9.72	2.34		
2000	2000	2500	2500	9000	113%	-15	4.95	1.70	4.79	1.73	4.65	1.75	4.59	1.76	4.53	1.77	4.43	1.79	4.35	1.80		
						-10	5.92	1.79	5.76	1.82	5.61	1.84	5.55	1.85	5.48	1.86	5.37	1.88	5.28	1.90		
						-5	6.90	1.88	6.73	1.91	6.58	1.93	6.50	1.94	6.44	1.95	6.32	1.97	6.21	1.99		
						0	7.89	1.97	7.70	2.00	7.54	2.02	7.46	2.03	7.39	2.05	7.26	2.07	7.15	2.09		
						2	8.28	2.00	8.09	2.03	7.93	2.06	7.85	2.07	7.77	2.08	7.64	2.10	7.53	2.12		
						7	9.07	2.07	8.87	2.10	8.70	2.13	8.64	2.14	8.54	2.16	8.40	2.18	8.28	2.20		
						10	9.85	2.14	9.65	2.17	9.47	2.20	9.39	2.21	9.31	2.23	9.16	2.25	9.03	2.27		
2000	2000	2500	3500	10000	125%	-15	4.99	1.70	4.83	1.73	4.69	1.75	4.63	1.76	4.57	1.77	4.47	1.79	4.38	1.80		
						-10	5.97	1.79	5.81	1.82	5.66	1.84	5.59	1.85	5.53	1.86	5.42	1.88	5.32	1.90		
						-5	6.96	1.88	6.79	1.91	6.63	1.93	6.56	1.94	6.49	1.95	6.37	1.97	6.26	1.99		
						0	7.95	1.97	7.77	2.00	7.60	2.02	7.52	2.03	7.45	2.05	7.32	2.07	7.21	2.09		
						2	8.35	2.00	8.16	2.03	7.99	2.06	7.91	2.07	7.84	2.08	7.70	2.10	7.59	2.12		
						7	9.14	2.07	8.95	2.10	8.77	2.13	8.71	2.14	8.61	2.16	8.47	2.18	8.34	2.20		
						10	9.93	2.14	9.73	2.17	9.55	2.20	9.46	2.21	9.38	2.23	9.23	2.25	9.10	2.27		
2000	2000	2500	5000	11500	144%	-15	5.32	1.75	5.16	1.77	5.01	1.80	4.94	1.81	4.88	1.82	4.77	1.84	4.68	1.85		
						-10	6.38	1.84	6.20	1.87	6.04	1.89	5.97	1.90	5.90	1.91	5.78	1.93	5.68	1.95		
						-5	7.43	1.93	7.25	1.96	7.08	1.99	7.00	2.00	6.93	2.01	6.80	2.03	6.69	2.05		
						0	8.49	2.02	8.29	2.05	8.12	2.08	8.03	2.09	7.96	2.10	7.82	2.13	7.70	2.14		
						2	8.91	2.06	8.71	2.09	8.53	2.12	8.45	2.13	8.37	2.14	8.22	2.16	8.10	2.18		
						7	9.76	2.13	9.55	2.16	9.36	2.19	9.30	2.20	9.19	2.22	9.04	2.24	8.91	2.26		
						10	10.61	2.20	10.39	2.23	10.20	2.26	10.10	2.28	10.02	2.29	9.86	2.31	9.72	2.34		
2000	2000	3500	3500	11000	138%	-15	5.03	1.73	4.87	1.76	4.73	1.78	4.67	1.79	4.61	1.80	4.50	1.82	4.42	1.83		
						-10	6.02	1.82	5.85	1.85	5.70	1.88	5.64	1.89	5.57	1.90	5.46	1.92	5.36	1.93		
						-5	7.02	1.91	6.84	1.94	6.68	1.97	6.61	1.98	6.54	1.99	6.42	2.01	6.31	2.03		
						0	8.01	2.00	7.83	2.03	7.66	2.06	7.58	2.07	7.51	2.08	7.38	2.11	7.27	2.12		
						2	8.41	2.04	8.22	2.07	8.05	2.10	7.97	2.11	7.90	2.12	7.76	2.14	7.65	2.16		
						7	9.21	2.11	9.02	2.14	8.84	2.17	8.78	2.18	8.68	2.20	8.54	2.22	8.41	2.24		
						10	10.01	2.18	9.81	2.21	9.63	2.24	9.54	2.26	9.46	2.27	9.31	2.29	9.17	2.32		
15	11.02	2.27	10.80	2.30	10.61	2.33	10.52	2.35	10.43	2.36	10.27	2.39	10.13	2.41								

# 12. Capacity Table

## 12-6. AJ080MCJ4EH/EU

### HEATING

Combination (Capacity Index)				Combination (Total)	Combination (%)	Outdoor Temperature (°C, DB)	Indoor Temperature (°C, DB)															
							14		16		18		20		21		22		24			
							TC(kW)	PI(kW)	TC(kW)	PI(kW)	TC(kW)	PI(kW)	TC(kW)	PI(kW)	TC(kW)	PI(kW)	TC(kW)	PI(kW)	TC(kW)	PI(kW)		
2000	2500	2500	2500	9500	119%	-15	4.97	1.70	4.82	1.73	4.68	1.75	4.62	1.76	4.56	1.77	4.46	1.79	4.37	1.80		
						-10	5.96	1.79	5.79	1.82	5.65	1.84	5.58	1.85	5.52	1.86	5.40	1.88	5.31	1.90		
						-5	6.94	1.88	6.77	1.91	6.61	1.93	6.54	1.94	6.47	1.95	6.35	1.97	6.25	1.99		
						0	7.93	1.97	7.75	2.00	7.58	2.02	7.51	2.03	7.43	2.05	7.30	2.07	7.19	2.09		
						2	8.33	2.00	8.14	2.03	7.97	2.06	7.89	2.07	7.82	2.08	7.69	2.10	7.57	2.12		
						7	9.12	2.07	8.92	2.10	8.75	2.13	8.69	2.14	8.59	2.16	8.45	2.18	8.32	2.20		
						10	9.91	2.14	9.71	2.17	9.53	2.20	9.44	2.21	9.36	2.23	9.21	2.25	9.08	2.27		
2000	2500	2500	3500	10500	131%	-15	5.02	1.73	4.86	1.76	4.72	1.78	4.65	1.79	4.60	1.80	4.49	1.82	4.41	1.83		
						-10	6.01	1.82	5.84	1.85	5.69	1.88	5.62	1.89	5.56	1.90	5.45	1.92	5.35	1.93		
						-5	7.00	1.91	6.83	1.94	6.67	1.97	6.59	1.98	6.53	1.99	6.40	2.01	6.30	2.03		
						0	8.00	2.00	7.81	2.03	7.64	2.06	7.57	2.07	7.49	2.08	7.36	2.11	7.25	2.12		
						2	8.39	2.04	8.21	2.07	8.04	2.10	7.96	2.11	7.88	2.12	7.75	2.14	7.63	2.16		
						7	9.19	2.11	9.00	2.14	8.82	2.17	8.76	2.18	8.66	2.20	8.52	2.22	8.39	2.24		
						10	9.99	2.18	9.79	2.21	9.60	2.24	9.52	2.26	9.44	2.27	9.29	2.29	9.15	2.32		
2000	2500	2500	5000	12000	150%	-15	5.32	1.79	5.16	1.82	5.01	1.84	4.94	1.85	4.88	1.86	4.77	1.88	4.68	1.89		
						-10	6.38	1.88	6.20	1.91	6.04	1.94	5.97	1.95	5.90	1.96	5.78	1.98	5.68	1.99		
						-5	7.43	1.98	7.25	2.00	7.08	2.03	7.00	2.04	6.93	2.05	6.80	2.08	6.69	2.09		
						0	8.49	2.07	8.29	2.10	8.12	2.13	8.03	2.14	7.96	2.15	7.82	2.17	7.70	2.19		
						2	8.91	2.10	8.71	2.14	8.53	2.16	8.45	2.18	8.37	2.19	8.22	2.21	8.10	2.23		
						7	9.76	2.18	9.55	2.21	9.36	2.24	9.30	2.25	9.19	2.27	9.04	2.29	8.91	2.31		
						10	10.61	2.25	10.39	2.28	10.20	2.31	10.10	2.33	10.02	2.34	9.86	2.37	9.72	2.39		
2000	2500	3500	3500	11500	144%	-15	5.32	1.75	5.16	1.77	5.01	1.80	4.94	1.81	4.88	1.82	4.77	1.84	4.68	1.85		
						-10	6.38	1.84	6.20	1.87	6.04	1.89	5.97	1.90	5.90	1.91	5.78	1.93	5.68	1.95		
						-5	7.43	1.93	7.25	1.96	7.08	1.99	7.00	2.00	6.93	2.01	6.80	2.03	6.69	2.05		
						0	8.49	2.02	8.29	2.05	8.12	2.08	8.03	2.09	7.96	2.10	7.82	2.13	7.70	2.14		
						2	8.91	2.06	8.71	2.09	8.53	2.12	8.45	2.13	8.37	2.14	8.22	2.16	8.10	2.18		
						7	9.76	2.13	9.55	2.16	9.36	2.19	9.30	2.20	9.19	2.22	9.04	2.24	8.91	2.26		
						10	10.61	2.20	10.39	2.23	10.20	2.26	10.10	2.28	10.02	2.29	9.86	2.31	9.72	2.34		
2500	2500	2500	2500	10000	125%	-15	5.01	1.70	4.85	1.73	4.71	1.75	4.65	1.76	4.59	1.77	4.49	1.79	4.40	1.80		
						-10	6.00	1.79	5.83	1.82	5.69	1.84	5.62	1.85	5.55	1.86	5.44	1.88	5.35	1.90		
						-5	6.99	1.88	6.82	1.91	6.66	1.93	6.59	1.94	6.52	1.95	6.40	1.97	6.29	1.99		
						0	7.99	1.97	7.80	2.00	7.64	2.02	7.56	2.03	7.49	2.05	7.35	2.07	7.24	2.09		
						2	8.39	2.00	8.20	2.03	8.03	2.06	7.95	2.07	7.87	2.08	7.74	2.10	7.62	2.12		
						7	9.18	2.07	8.99	2.10	8.81	2.13	8.75	2.14	8.65	2.16	8.51	2.18	8.38	2.20		
						10	9.98	2.14	9.78	2.17	9.59	2.20	9.51	2.21	9.42	2.23	9.27	2.25	9.14	2.27		
					15	10.98	2.23	10.77	2.26	10.57	2.29	10.48	2.30	10.40	2.32	10.24	2.34	10.10	2.37			

# 12. Capacity Table

## 12-6. AJ080MCJ4EH/EU

### HEATING

Combination (Capacity Index)				Combination (Total)	Combination (%)	Outdoor Temperature (°C, DB)	Indoor Temperature (°C, DB)															
							14		16		18		20		21		22		24			
							TC(kW)	PI(kW)	TC(kW)	PI(kW)	TC(kW)	PI(kW)	TC(kW)	PI(kW)	TC(kW)	PI(kW)	TC(kW)	PI(kW)	TC(kW)	PI(kW)		
2500	2500	2500	3500	11000	138%	-15	5.32	1.73	5.16	1.76	5.01	1.78	4.94	1.79	4.88	1.80	4.77	1.82	4.68	1.83		
						-10	6.38	1.82	6.20	1.85	6.04	1.88	5.97	1.89	5.90	1.90	5.78	1.92	5.68	1.93		
						-5	7.43	1.91	7.25	1.94	7.08	1.97	7.00	1.98	6.93	1.99	6.80	2.01	6.69	2.03		
						0	8.49	2.00	8.29	2.03	8.12	2.06	8.03	2.07	7.96	2.08	7.82	2.11	7.70	2.12		
						2	8.91	2.04	8.71	2.07	8.53	2.10	8.45	2.11	8.37	2.12	8.22	2.14	8.10	2.16		
						7	9.76	2.11	9.55	2.14	9.36	2.17	9.30	2.18	9.19	2.20	9.04	2.22	8.91	2.24		
						10	10.61	2.18	10.39	2.21	10.20	2.24	10.10	2.26	10.02	2.27	9.86	2.29	9.72	2.32		
						15	11.67	2.27	11.44	2.30	11.24	2.33	11.14	2.35	11.05	2.36	10.88	2.39	10.73	2.41		
2500	2500	3500	3500	12000	150%	-15	5.32	1.75	5.16	1.77	5.01	1.80	4.88	1.82	4.82	1.83	4.77	1.84	4.68	1.85		
						-10	6.38	1.84	6.20	1.87	6.04	1.89	5.90	1.91	5.84	1.92	5.78	1.93	5.68	1.95		
						-5	7.43	1.93	7.25	1.96	7.08	1.99	6.93	2.01	6.86	2.02	6.80	2.03	6.69	2.05		
						0	8.49	2.02	8.29	2.05	8.12	2.08	7.96	2.10	7.88	2.11	7.82	2.13	7.70	2.14		
						2	8.91	2.06	8.71	2.09	8.53	2.12	8.37	2.14	8.29	2.15	8.22	2.16	8.10	2.18		
						7	9.97	2.15	9.76	2.18	9.57	2.21	9.30	2.20	9.32	2.25	9.24	2.26	9.11	2.28		
						10	10.61	2.20	10.39	2.23	10.20	2.26	10.02	2.29	9.94	2.30	9.86	2.31	9.72	2.34		
						15	11.67	2.29	11.44	2.32	11.24	2.35	11.05	2.38	10.96	2.40	10.88	2.41	10.73	2.43		

### NOTE

- Cooling capacity is based on 27°CDB / 19°CWB (indoor temperature), 35°CDB (outdoor temperature).
- Heating capacity is based on 20°CDB (indoor temperature), 7°CDB/6°CWB (outdoor temperature).
- The above is the value for connecting with the following indoor units.
  - 2000, 2500, 3500, 5000, 6800W class: Wall Mounted
- Capacities are based on the following conditions:
  - Corresponding refrigerant piping length : 5m / - Level difference : 0m
- The total ability of connected a indoor unit is up to 12kW
- It is impossible to connect the indoor unit for one room only.
- This data is reference data for temperature capacity trend.

# 12. Capacity Table

## 12-7. AJ100MCJ5EH/EU

### COOLING

Combination (Capacity Index)				Combination (Total)	Combination (%)	Outdoor Temperature (°C, DB)	Indoor Temperature (°C, WB)															
							14		16		18		19		20		22		24			
							TC(kW)	PI(kW)	TC(kW)	PI(kW)	TC(kW)	PI(kW)	TC(kW)	PI(kW)	TC(kW)	PI(kW)	TC(kW)	PI(kW)	TC(kW)	PI(kW)		
2000				2000	20%	10	1.60	0.41	2.32	0.45	2.42	0.49	2.46	0.51	2.51	0.52	2.61	0.55	2.71	0.57		
						12	1.60	0.42	2.28	0.47	2.38	0.51	2.43	0.52	2.48	0.54	2.57	0.56	2.67	0.58		
						14	1.60	0.44	2.24	0.48	2.34	0.52	2.39	0.54	2.44	0.55	2.53	0.57	2.63	0.59		
						16	1.60	0.46	2.21	0.50	2.30	0.54	2.35	0.55	2.40	0.56	2.50	0.59	2.59	0.60		
						18	1.60	0.48	2.17	0.52	2.27	0.55	2.31	0.57	2.36	0.58	2.46	0.60	2.55	0.61		
						20	1.60	0.50	2.13	0.54	2.23	0.57	2.28	0.58	2.32	0.59	2.42	0.61	2.52	0.62		
						21	1.60	0.51	2.12	0.55	2.21	0.58	2.26	0.59	2.30	0.60	2.40	0.62	2.50	0.63		
						23	1.60	0.53	2.08	0.57	2.17	0.59	2.22	0.61	2.27	0.62	2.36	0.63	2.46	0.64		
						25	1.60	0.55	2.04	0.58	2.14	0.61	2.18	0.62	2.23	0.63	2.32	0.65	2.42	0.65		
						27	1.60	0.57	2.01	0.60	2.10	0.63	2.15	0.64	2.19	0.65	2.29	0.66	2.38	0.67		
						29	1.60	0.59	1.97	0.62	2.06	0.65	2.11	0.66	2.16	0.66	2.25	0.68	2.34	0.68		
						31	1.60	0.61	1.94	0.64	2.03	0.66	2.07	0.67	2.12	0.68	2.21	0.69	2.30	0.69		
						33	1.60	0.63	1.90	0.66	1.99	0.68	2.04	0.69	2.08	0.70	2.17	0.71	2.27	0.71		
						35	1.60	0.65	1.86	0.68	1.95	0.70	2.00	0.70	2.04	0.72	2.14	0.72	2.23	0.72		
						37	1.60	0.68	1.83	0.70	1.92	0.72	1.96	0.73	2.01	0.73	2.10	0.74	2.19	0.74		
						39	1.60	0.70	1.79	0.72	1.88	0.74	1.93	0.75	1.97	0.75	2.06	0.75	2.15	0.75		
42	1.58	0.73	1.74	0.75	1.83	0.77	1.87	0.77	1.92	0.78	2.01	0.78	2.10	0.77								
44	1.50	0.76	1.71	0.78	1.79	0.79	1.84	0.79	1.88	0.80	1.97	0.80	2.06	0.79								
46	1.46	0.78	1.67	0.80	1.76	0.81	1.80	0.81	1.84	0.81	1.93	0.81	2.02	0.81								
2500				2500	25%	10	2.00	0.46	2.90	0.52	3.02	0.56	3.08	0.58	3.14	0.60	3.26	0.63	3.39	0.65		
						12	2.00	0.48	2.85	0.53	2.97	0.58	3.03	0.60	3.09	0.61	3.22	0.64	3.34	0.66		
						14	2.00	0.51	2.80	0.55	2.93	0.60	2.99	0.61	3.05	0.63	3.17	0.65	3.29	0.67		
						16	2.00	0.53	2.76	0.57	2.88	0.61	2.94	0.63	3.00	0.65	3.12	0.67	3.24	0.69		
						18	2.00	0.55	2.71	0.59	2.83	0.63	2.89	0.65	2.95	0.66	3.07	0.68	3.19	0.70		
						20	2.00	0.57	2.67	0.61	2.79	0.65	2.85	0.67	2.90	0.68	3.02	0.70	3.14	0.71		
						21	2.00	0.58	2.64	0.62	2.76	0.66	2.82	0.67	2.88	0.69	3.00	0.71	3.12	0.72		
						23	2.00	0.61	2.60	0.65	2.72	0.68	2.78	0.69	2.83	0.71	2.95	0.72	3.07	0.73		
						25	2.00	0.63	2.55	0.67	2.67	0.70	2.73	0.71	2.79	0.72	2.91	0.74	3.02	0.75		
						27	2.00	0.65	2.51	0.69	2.62	0.72	2.68	0.73	2.74	0.74	2.86	0.76	2.98	0.76		
						29	2.00	0.68	2.46	0.71	2.58	0.74	2.64	0.75	2.69	0.76	2.81	0.77	2.93	0.78		
						31	2.00	0.70	2.42	0.73	2.53	0.76	2.59	0.77	2.65	0.78	2.76	0.79	2.88	0.79		
						33	2.00	0.72	2.37	0.76	2.49	0.78	2.54	0.79	2.60	0.80	2.72	0.81	2.83	0.81		
						35	2.00	0.75	2.33	0.78	2.44	0.80	2.50	0.80	2.56	0.82	2.67	0.83	2.78	0.83		
						37	2.00	0.77	2.29	0.80	2.40	0.82	2.45	0.83	2.51	0.84	2.62	0.84	2.74	0.84		
						39	2.00	0.80	2.24	0.83	2.35	0.85	2.41	0.85	2.46	0.86	2.58	0.86	2.69	0.86		
42	1.98	0.84	2.18	0.86	2.29	0.88	2.34	0.88	2.40	0.89	2.51	0.89	2.62	0.88								
44	1.88	0.86	2.13	0.89	2.24	0.90	2.30	0.91	2.35	0.91	2.46	0.91	2.57	0.90								
46	1.83	0.89	2.09	0.91	2.20	0.93	2.25	0.93	2.30	0.93	2.41	0.93	2.53	0.92								

# 12. Capacity Table

## 12-7. AJ100MCJ5EH/EU

### COOLING

Combination (Capacity Index)				Combination (Total)	Combination (%)	Outdoor Temperature (°C, DB)	Indoor Temperature (°C, WB)													
							14		16		18		19		20		22		24	
							TC(kW)	PI(kW)	TC(kW)	PI(kW)	TC(kW)	PI(kW)	TC(kW)	PI(kW)	TC(kW)	PI(kW)	TC(kW)	PI(kW)	TC(kW)	PI(kW)
3500				3500	35%	10	2.80	0.62	4.06	0.69	4.23	0.75	4.31	0.77	4.40	0.80	4.57	0.84	4.74	0.87
						12	2.80	0.65	3.99	0.71	4.16	0.77	4.25	0.80	4.33	0.82	4.50	0.86	4.68	0.88
						14	2.80	0.68	3.93	0.74	4.10	0.80	4.18	0.82	4.26	0.84	4.44	0.88	4.61	0.90
						16	2.80	0.70	3.86	0.77	4.03	0.82	4.11	0.84	4.20	0.86	4.37	0.90	4.54	0.92
						18	2.80	0.73	3.80	0.79	3.96	0.84	4.05	0.87	4.13	0.89	4.30	0.92	4.47	0.94
						20	2.80	0.76	3.73	0.82	3.90	0.87	3.98	0.89	4.07	0.91	4.23	0.94	4.40	0.95
						21	2.80	0.78	3.70	0.84	3.87	0.88	3.95	0.90	4.03	0.92	4.20	0.95	4.37	0.96
						23	2.80	0.81	3.64	0.86	3.80	0.91	3.89	0.93	3.97	0.94	4.13	0.97	4.30	0.98
						25	2.80	0.84	3.58	0.89	3.74	0.93	3.82	0.95	3.90	0.97	4.07	0.99	4.23	1.00
						27	2.80	0.87	3.51	0.92	3.67	0.96	3.76	0.98	3.84	0.99	4.00	1.01	4.17	1.02
						29	2.80	0.90	3.45	0.95	3.61	0.99	3.69	1.00	3.77	1.02	3.93	1.03	4.10	1.04
						31	2.80	0.94	3.39	0.98	3.55	1.02	3.63	1.03	3.71	1.04	3.87	1.06	4.03	1.06
						33	2.80	0.97	3.32	1.01	3.48	1.04	3.56	1.06	3.64	1.07	3.80	1.08	3.97	1.08
						35	2.80	1.00	3.26	1.04	3.42	1.07	3.50	1.07	3.58	1.09	3.74	1.10	3.90	1.10
						37	2.80	1.03	3.20	1.07	3.36	1.10	3.43	1.11	3.51	1.12	3.67	1.13	3.83	1.13
						39	2.80	1.07	3.14	1.11	3.29	1.13	3.37	1.14	3.45	1.15	3.61	1.15	3.77	1.15
42	2.77	1.12	3.05	1.15	3.20	1.18	3.28	1.18	3.35	1.19	3.51	1.19	3.67	1.18						
44	2.63	1.16	2.98	1.19	3.14	1.21	3.21	1.21	3.29	1.22	3.45	1.22	3.60	1.21						
46	2.56	1.19	2.92	1.22	3.07	1.24	3.15	1.24	3.23	1.25	3.38	1.24	3.54	1.23						
5000				5000	50%	10	4.00	0.87	5.79	0.97	6.04	1.05	6.16	1.09	6.28	1.12	6.53	1.17	6.78	1.21
						12	4.00	0.91	5.70	1.00	5.94	1.08	6.07	1.12	6.19	1.15	6.43	1.20	6.68	1.24
						14	4.00	0.95	5.61	1.04	5.85	1.12	5.97	1.15	6.09	1.18	6.34	1.23	6.58	1.26
						16	4.00	0.99	5.52	1.08	5.76	1.15	5.88	1.18	6.00	1.21	6.24	1.25	6.48	1.29
						18	4.00	1.03	5.43	1.11	5.66	1.18	5.78	1.21	5.90	1.24	6.14	1.28	6.39	1.31
						20	4.00	1.07	5.34	1.15	5.57	1.22	5.69	1.25	5.81	1.27	6.05	1.31	6.29	1.34
						21	4.00	1.09	5.29	1.17	5.53	1.24	5.64	1.27	5.76	1.29	6.00	1.33	6.24	1.35
						23	4.00	1.13	5.20	1.21	5.43	1.27	5.55	1.30	5.67	1.32	5.91	1.36	6.14	1.38
						25	4.00	1.18	5.11	1.25	5.34	1.31	5.46	1.33	5.57	1.36	5.81	1.39	6.05	1.40
						27	4.00	1.22	5.02	1.29	5.25	1.35	5.37	1.37	5.48	1.39	5.72	1.42	5.95	1.43
						29	4.00	1.27	4.93	1.33	5.16	1.39	5.27	1.41	5.39	1.42	5.62	1.45	5.86	1.46
						31	4.00	1.31	4.84	1.38	5.07	1.42	5.18	1.44	5.30	1.46	5.53	1.48	5.76	1.49
						33	4.00	1.36	4.75	1.42	4.98	1.46	5.09	1.48	5.20	1.50	5.43	1.51	5.66	1.52
						35	4.00	1.40	4.66	1.46	4.89	1.50	5.00	1.50	5.11	1.53	5.34	1.55	5.57	1.55
						37	4.00	1.45	4.57	1.50	4.79	1.54	4.91	1.56	5.02	1.57	5.25	1.58	5.47	1.58
						39	4.00	1.50	4.48	1.55	4.70	1.59	4.82	1.60	4.93	1.61	5.15	1.62	5.38	1.61
42	3.95	1.57	4.35	1.62	4.57	1.65	4.68	1.66	4.79	1.67	5.01	1.67	5.24	1.66						
44	3.75	1.62	4.26	1.66	4.48	1.69	4.59	1.70	4.70	1.71	4.92	1.71	5.14	1.69						
46	3.65	1.67	4.18	1.71	4.39	1.73	4.50	1.74	4.61	1.75	4.83	1.74	5.05	1.73						

# 12. Capacity Table

## 12-7. AJ100MCJ5EH/EU

### COOLING

Combination (Capacity Index)				Combination (Total)	Combination (%)	Outdoor Temperature (°C, DB)	Indoor Temperature (°C, WB)															
							14		16		18		19		20		22		24			
							TC(kW)	PI(kW)	TC(kW)	PI(kW)	TC(kW)	PI(kW)	TC(kW)	PI(kW)	TC(kW)	PI(kW)	TC(kW)	PI(kW)	TC(kW)	PI(kW)		
6800				6800	68%	10	5.44	1.26	7.88	1.40	8.21	1.53	8.38	1.58	8.54	1.63	8.88	1.71	9.22	1.77		
						12	5.44	1.32	7.75	1.46	8.08	1.57	8.25	1.62	8.42	1.67	8.75	1.74	9.08	1.80		
						14	5.44	1.38	7.63	1.51	7.96	1.62	8.12	1.67	8.29	1.71	8.62	1.78	8.95	1.83		
						16	5.44	1.44	7.50	1.56	7.83	1.67	7.99	1.72	8.16	1.76	8.49	1.82	8.82	1.87		
						18	5.44	1.50	7.38	1.62	7.70	1.72	7.87	1.77	8.03	1.80	8.36	1.86	8.69	1.91		
						20	5.44	1.56	7.26	1.67	7.58	1.77	7.74	1.81	7.90	1.85	8.23	1.91	8.55	1.94		
						21	5.44	1.59	7.19	1.70	7.51	1.80	7.68	1.84	7.84	1.87	8.16	1.93	8.49	1.96		
						23	5.44	1.65	7.07	1.76	7.39	1.85	7.55	1.89	7.71	1.92	8.03	1.97	8.36	2.00		
						25	5.44	1.71	6.95	1.82	7.26	1.90	7.42	1.94	7.58	1.97	7.90	2.01	8.22	2.04		
						27	5.44	1.78	6.83	1.88	7.14	1.96	7.30	1.99	7.46	2.02	7.77	2.06	8.09	2.08		
						29	5.44	1.84	6.70	1.94	7.01	2.01	7.17	2.05	7.33	2.07	7.64	2.11	7.96	2.12		
						31	5.44	1.91	6.58	2.00	6.89	2.07	7.05	2.10	7.20	2.12	7.52	2.15	7.83	2.16		
						33	5.44	1.97	6.46	2.06	6.77	2.13	6.92	2.15	7.08	2.17	7.39	2.20	7.70	2.21		
						35	5.44	2.04	6.34	2.12	6.64	2.19	6.80	2.18	6.95	2.23	7.26	2.25	7.57	2.25		
						37	5.44	2.11	6.22	2.19	6.52	2.24	6.67	2.27	6.83	2.28	7.13	2.30	7.45	2.29		
						39	5.44	2.18	6.10	2.25	6.40	2.30	6.55	2.32	6.70	2.34	7.01	2.35	7.32	2.34		
						42	5.37	2.28	5.92	2.35	6.22	2.40	6.37	2.41	6.52	2.42	6.82	2.43	7.12	2.41		
44	5.10	2.35	5.80	2.42	6.09	2.46	6.24	2.47	6.39	2.48	6.69	2.48	7.00	2.46								
46	4.96	2.43	5.68	2.48	5.97	2.52	6.12	2.53	6.27	2.54	6.57	2.53	6.87	2.51								
2000	2000			4000	40%	10	3.53	0.89	4.99	0.91	5.08	0.93	5.14	0.94	5.20	0.95	5.35	0.97	5.52	0.99		
						12	3.53	0.91	4.85	0.93	4.95	0.95	5.01	0.96	5.08	0.97	5.23	0.99	5.41	1.01		
						14	3.53	0.93	4.72	0.95	4.83	0.97	4.89	0.98	4.96	0.99	5.12	1.01	5.31	1.03		
						16	3.53	0.95	4.60	0.98	4.71	1.00	4.78	1.01	4.85	1.02	5.02	1.04	5.21	1.06		
						18	3.53	0.98	4.48	1.00	4.60	1.02	4.67	1.03	4.75	1.04	4.92	1.06	5.12	1.08		
						20	3.53	1.00	4.36	1.02	4.49	1.05	4.57	1.06	4.65	1.07	4.83	1.09	5.03	1.11		
						21	3.53	1.02	4.31	1.04	4.44	1.06	4.52	1.07	4.60	1.08	4.78	1.10	4.99	1.12		
						23	3.53	1.04	4.20	1.06	4.34	1.08	4.42	1.09	4.51	1.10	4.70	1.12	4.91	1.14		
						25	3.53	1.07	4.10	1.09	4.25	1.11	4.33	1.12	4.42	1.13	4.62	1.15	4.84	1.17		
						27	3.53	1.10	4.01	1.12	4.16	1.14	4.25	1.15	4.34	1.16	4.55	1.18	4.78	1.20		
						29	3.53	1.12	3.92	1.14	4.08	1.17	4.17	1.18	4.27	1.19	4.48	1.21	4.72	1.22		
						31	3.53	1.15	3.84	1.17	4.01	1.19	4.10	1.20	4.20	1.21	4.42	1.23	4.66	1.25		
						33	3.53	1.18	3.76	1.20	3.94	1.22	4.03	1.23	4.13	1.24	4.36	1.26	4.61	1.28		
						35	3.53	1.21	3.69	1.23	3.87	1.25	4.00	1.26	4.08	1.27	4.31	1.29	4.57	1.31		
						37	3.53	1.24	3.62	1.26	3.81	1.28	3.91	1.29	4.02	1.30	4.26	1.32	4.53	1.34		
						39	3.53	1.27	3.56	1.29	3.76	1.31	3.86	1.32	3.98	1.33	4.22	1.35	4.49	1.37		
						42	3.53	1.32	3.48	1.34	3.69	1.36	3.80	1.37	3.92	1.38	4.17	1.40	4.46	1.42		
44	3.53	1.35	3.44	1.38	3.65	1.40	3.76	1.41	3.89	1.41	4.15	1.43	4.44	1.45								
46	3.53	1.39	3.39	1.41	3.61	1.43	3.73	1.44	3.86	1.45	4.13	1.47	4.42	1.48								



# 12. Capacity Table

## 12-7. AJ100MCJ5EH/EU

### COOLING

Combination (Capacity Index)				Combination (Total)	Combination (%)	Outdoor Temperature (°C, DB)	Indoor Temperature (°C, WB)													
							14		16		18		19		20		22		24	
							TC(kW)	PI(kW)	TC(kW)	PI(kW)	TC(kW)	PI(kW)	TC(kW)	PI(kW)	TC(kW)	PI(kW)	TC(kW)	PI(kW)	TC(kW)	PI(kW)
2000	2500			4500	45%	10	3.98	0.98	5.61	1.01	5.72	1.03	5.78	1.04	5.85	1.06	6.01	1.08	6.21	1.10
						12	3.98	1.01	5.46	1.03	5.57	1.06	5.64	1.07	5.71	1.08	5.89	1.10	6.09	1.12
						14	3.98	1.03	5.31	1.06	5.43	1.08	5.50	1.09	5.58	1.11	5.76	1.13	5.97	1.15
						16	3.98	1.06	5.17	1.08	5.30	1.11	5.38	1.12	5.46	1.13	5.65	1.15	5.86	1.17
						18	3.98	1.09	5.04	1.11	5.17	1.13	5.25	1.15	5.34	1.16	5.53	1.18	5.76	1.20
						20	3.98	1.11	4.91	1.14	5.05	1.16	5.14	1.17	5.23	1.19	5.43	1.21	5.66	1.23
						21	3.98	1.13	4.85	1.15	5.00	1.18	5.08	1.19	5.17	1.20	5.38	1.22	5.62	1.24
						23	3.98	1.16	4.73	1.18	4.89	1.21	4.98	1.22	5.07	1.23	5.29	1.25	5.53	1.27
						25	3.98	1.19	4.62	1.21	4.78	1.23	4.87	1.25	4.98	1.26	5.20	1.28	5.45	1.30
						27	3.98	1.22	4.51	1.24	4.68	1.26	4.78	1.28	4.88	1.29	5.11	1.31	5.37	1.33
						29	3.98	1.25	4.41	1.27	4.59	1.30	4.69	1.31	4.80	1.32	5.04	1.34	5.30	1.36
						31	3.98	1.28	4.32	1.30	4.51	1.33	4.61	1.34	4.72	1.35	4.97	1.37	5.24	1.39
						33	3.98	1.31	4.23	1.34	4.43	1.36	4.54	1.37	4.65	1.38	4.90	1.40	5.19	1.42
						35	3.98	1.35	4.15	1.37	4.35	1.39	4.50	1.40	4.59	1.41	4.85	1.44	5.14	1.46
						37	3.98	1.38	4.08	1.40	4.29	1.43	4.40	1.44	4.53	1.45	4.80	1.47	5.09	1.49
						39	3.98	1.41	4.01	1.44	4.23	1.46	4.35	1.47	4.48	1.48	4.75	1.50	5.06	1.52
42	3.98	1.47	3.92	1.49	4.15	1.51	4.27	1.52	4.41	1.54	4.70	1.56	5.01	1.58						
44	3.98	1.50	3.87	1.53	4.10	1.55	4.23	1.56	4.37	1.57	4.67	1.59	4.99	1.61						
46	3.98	1.54	3.82	1.57	4.07	1.59	4.20	1.60	4.34	1.61	4.64	1.63	4.98	1.65						
2000	3500			5500	55%	10	4.86	1.23	6.86	1.26	6.99	1.29	7.06	1.31	7.15	1.32	7.35	1.35	7.59	1.37
						12	4.86	1.26	6.67	1.29	6.81	1.32	6.89	1.34	6.98	1.35	7.19	1.38	7.44	1.40
						14	4.86	1.29	6.49	1.32	6.64	1.35	6.73	1.37	6.82	1.38	7.04	1.41	7.30	1.44
						16	4.86	1.32	6.32	1.36	6.48	1.39	6.57	1.40	6.67	1.41	6.90	1.44	7.16	1.47
						18	4.86	1.36	6.16	1.39	6.32	1.42	6.42	1.43	6.53	1.45	6.76	1.47	7.04	1.50
						20	4.86	1.39	6.00	1.42	6.18	1.45	6.28	1.47	6.39	1.48	6.64	1.51	6.92	1.54
						21	4.86	1.41	5.92	1.44	6.11	1.47	6.21	1.48	6.32	1.50	6.58	1.53	6.86	1.55
						23	4.86	1.45	5.78	1.48	5.97	1.51	6.08	1.52	6.20	1.53	6.46	1.56	6.76	1.59
						25	4.86	1.48	5.64	1.51	5.84	1.54	5.96	1.56	6.08	1.57	6.35	1.60	6.66	1.62
						27	4.86	1.52	5.51	1.55	5.72	1.58	5.84	1.59	5.97	1.61	6.25	1.64	6.57	1.66
						29	4.86	1.56	5.39	1.59	5.61	1.62	5.74	1.63	5.87	1.65	6.16	1.67	6.48	1.70
						31	4.86	1.60	5.28	1.63	5.51	1.66	5.64	1.67	5.77	1.69	6.07	1.71	6.41	1.74
						33	4.86	1.64	5.17	1.67	5.41	1.70	5.54	1.71	5.69	1.73	5.99	1.75	6.34	1.78
						35	4.86	1.68	5.07	1.71	5.32	1.74	5.50	1.75	5.61	1.77	5.92	1.79	6.28	1.82
						37	4.86	1.72	4.98	1.75	5.24	1.78	5.38	1.80	5.53	1.81	5.86	1.84	6.23	1.86
						39	4.86	1.77	4.90	1.80	5.17	1.83	5.31	1.84	5.47	1.85	5.81	1.88	6.18	1.90
42	4.86	1.83	4.79	1.86	5.07	1.89	5.22	1.91	5.39	1.92	5.74	1.95	6.13	1.97						
44	4.86	1.88	4.72	1.91	5.02	1.94	5.17	1.95	5.34	1.96	5.70	1.99	6.10	2.02						
46	4.86	1.93	4.67	1.96	4.97	1.98	5.13	2.00	5.30	2.01	5.68	2.04	6.08	2.06						

# 12. Capacity Table

## 12-7. AJ100MCJ5EH/EU

### COOLING

Combination (Capacity Index)				Combination (Total)	Combination (%)	Outdoor Temperature (°C, DB)	Indoor Temperature (°C, WB)															
							14		16		18		19		20		22		24			
							TC(kW)	PI(kW)	TC(kW)	PI(kW)	TC(kW)	PI(kW)	TC(kW)	PI(kW)	TC(kW)	PI(kW)	TC(kW)	PI(kW)	TC(kW)	PI(kW)		
2000	5000			7000	70%	10	6.19	1.54	8.73	1.58	8.89	1.62	8.99	1.63	9.10	1.65	9.36	1.69	9.66	1.72		
						12	6.19	1.58	8.49	1.62	8.67	1.65	8.77	1.67	8.89	1.69	9.15	1.72	9.47	1.76		
						14	6.19	1.62	8.26	1.66	8.45	1.69	8.56	1.71	8.68	1.73	8.96	1.76	9.29	1.80		
						16	6.19	1.66	8.04	1.70	8.24	1.73	8.36	1.75	8.49	1.77	8.78	1.80	9.12	1.84		
						18	6.19	1.70	7.83	1.74	8.05	1.78	8.17	1.79	8.31	1.81	8.61	1.85	8.96	1.88		
						20	6.19	1.74	7.64	1.78	7.86	1.82	7.99	1.84	8.13	1.85	8.45	1.89	8.81	1.92		
						21	6.19	1.77	7.54	1.80	7.77	1.84	7.90	1.86	8.05	1.88	8.37	1.91	8.74	1.94		
						23	6.19	1.81	7.36	1.85	7.60	1.89	7.74	1.90	7.89	1.92	8.22	1.95	8.60	1.99		
						25	6.19	1.86	7.18	1.89	7.44	1.93	7.58	1.95	7.74	1.97	8.08	2.00	8.47	2.03		
						27	6.19	1.90	7.02	1.94	7.29	1.98	7.44	2.00	7.60	2.01	7.96	2.05	8.36	2.08		
						29	6.19	1.95	6.86	1.99	7.14	2.03	7.30	2.04	7.47	2.06	7.84	2.09	8.25	2.13		
						31	6.19	2.00	6.72	2.04	7.01	2.08	7.17	2.09	7.35	2.11	7.73	2.14	8.15	2.18		
						33	6.19	2.05	6.58	2.09	6.89	2.13	7.06	2.14	7.24	2.16	7.63	2.19	8.07	2.23		
						35	6.19	2.11	6.46	2.14	6.77	2.18	7.00	2.19	7.13	2.21	7.54	2.25	7.99	2.28		
						37	6.19	2.16	6.34	2.20	6.67	2.23	6.85	2.25	7.04	2.27	7.46	2.30	7.92	2.33		
39	6.19	2.21	6.24	2.25	6.58	2.28	6.76	2.30	6.96	2.32	7.39	2.35	7.87	2.38								
42	6.19	2.30	6.09	2.33	6.45	2.37	6.65	2.39	6.86	2.40	7.30	2.43	7.80	2.47								
44	6.19	2.35	6.01	2.39	6.38	2.43	6.59	2.44	6.80	2.46	7.26	2.49	7.76	2.52								
46	6.19	2.41	5.94	2.45	6.32	2.48	6.53	2.50	6.75	2.52	7.22	2.55	7.74	2.58								
2000	6800			8800	88%	10	7.13	1.79	10.06	1.84	10.25	1.88	10.37	1.90	10.49	1.92	10.79	1.96	11.13	2.00		
						12	7.13	1.84	9.79	1.88	9.99	1.93	10.11	1.95	10.25	1.97	10.55	2.01	10.91	2.05		
						14	7.13	1.88	9.52	1.93	9.74	1.97	9.87	1.99	10.01	2.01	10.33	2.05	10.71	2.09		
						16	7.13	1.93	9.27	1.98	9.50	2.02	9.64	2.04	9.79	2.06	10.12	2.10	10.51	2.14		
						18	7.13	1.98	9.03	2.02	9.28	2.07	9.42	2.09	9.58	2.11	9.93	2.15	10.33	2.19		
						20	7.13	2.03	8.80	2.07	9.06	2.12	9.21	2.14	9.38	2.16	9.74	2.20	10.15	2.24		
						21	7.13	2.06	8.69	2.10	8.96	2.14	9.11	2.16	9.28	2.18	9.65	2.22	10.07	2.26		
						23	7.13	2.11	8.48	2.15	8.76	2.19	8.92	2.22	9.09	2.24	9.48	2.28	9.91	2.31		
						25	7.13	2.16	8.28	2.21	8.58	2.25	8.74	2.27	8.92	2.29	9.32	2.33	9.77	2.37		
						27	7.13	2.22	8.09	2.26	8.40	2.30	8.57	2.32	8.76	2.34	9.17	2.38	9.64	2.42		
						29	7.13	2.27	7.91	2.32	8.24	2.36	8.42	2.38	8.61	2.40	9.04	2.44	9.51	2.48		
						31	7.13	2.33	7.75	2.37	8.08	2.42	8.27	2.44	8.47	2.46	8.91	2.50	9.40	2.53		
						33	7.13	2.39	7.59	2.43	7.94	2.48	8.13	2.50	8.34	2.52	8.80	2.55	9.30	2.59		
						35	7.13	2.45	7.44	2.49	7.81	2.54	8.07	2.55	8.23	2.58	8.69	2.61	9.21	2.65		
						37	7.13	2.51	7.31	2.56	7.69	2.60	7.90	2.62	8.12	2.64	8.60	2.68	9.13	2.71		
39	7.13	2.58	7.19	2.62	7.58	2.66	7.80	2.68	8.03	2.70	8.52	2.74	9.07	2.78								
42	7.13	2.67	7.03	2.72	7.44	2.76	7.67	2.78	7.90	2.80	8.42	2.83	8.99	2.87								
44	7.13	2.74	6.93	2.78	7.36	2.82	7.59	2.84	7.84	2.86	8.37	2.90	8.95	2.94								
46	7.13	2.81	6.85	2.85	7.29	2.89	7.53	2.91	7.78	2.93	8.33	2.97	8.92	3.00								

# 12. Capacity Table

## 12-7. AJ100MCJ5EH/EU

### COOLING

Combination (Capacity Index)				Combination (Total)	Combination (%)	Outdoor Temperature (°C, DB)	Indoor Temperature (°C, WB)													
							14		16		18		19		20		22		24	
							TC(kW)	PI(kW)	TC(kW)	PI(kW)	TC(kW)	PI(kW)	TC(kW)	PI(kW)	TC(kW)	PI(kW)	TC(kW)	PI(kW)	TC(kW)	PI(kW)
2500	2500			5000	50%	10	4.42	1.12	6.23	1.15	6.35	1.18	6.42	1.19	6.50	1.21	6.68	1.23	6.90	1.26
						12	4.42	1.15	6.06	1.18	6.19	1.21	6.27	1.22	6.35	1.23	6.54	1.26	6.76	1.28
						14	4.42	1.18	5.90	1.21	6.04	1.24	6.12	1.25	6.20	1.26	6.40	1.29	6.63	1.31
						16	4.42	1.21	5.75	1.24	5.89	1.27	5.97	1.28	6.06	1.29	6.27	1.32	6.51	1.34
						18	4.42	1.24	5.60	1.27	5.75	1.30	5.84	1.31	5.93	1.32	6.15	1.35	6.40	1.37
						20	4.42	1.27	5.45	1.30	5.62	1.33	5.71	1.34	5.81	1.35	6.03	1.38	6.29	1.40
						21	4.42	1.29	5.39	1.32	5.55	1.34	5.65	1.36	5.75	1.37	5.98	1.40	6.24	1.42
						23	4.42	1.32	5.25	1.35	5.43	1.38	5.53	1.39	5.63	1.40	5.87	1.43	6.14	1.45
						25	4.42	1.36	5.13	1.38	5.31	1.41	5.42	1.42	5.53	1.44	5.77	1.46	6.05	1.49
						27	4.42	1.39	5.01	1.42	5.20	1.45	5.31	1.46	5.43	1.47	5.68	1.50	5.97	1.52
						29	4.42	1.43	4.90	1.45	5.10	1.48	5.21	1.49	5.33	1.51	5.60	1.53	5.89	1.55
						31	4.42	1.46	4.80	1.49	5.01	1.52	5.12	1.53	5.25	1.54	5.52	1.57	5.82	1.59
						33	4.42	1.50	4.70	1.53	4.92	1.55	5.04	1.57	5.17	1.58	5.45	1.60	5.76	1.63
						35	4.42	1.54	4.61	1.57	4.84	1.59	5.00	1.60	5.10	1.62	5.39	1.64	5.71	1.66
						37	4.42	1.58	4.53	1.60	4.76	1.63	4.89	1.64	5.03	1.65	5.33	1.68	5.66	1.70
						39	4.42	1.62	4.45	1.64	4.70	1.67	4.83	1.68	4.97	1.69	5.28	1.72	5.62	1.74
42	4.42	1.68	4.35	1.70	4.61	1.73	4.75	1.74	4.90	1.75	5.22	1.78	5.57	1.80						
44	4.42	1.72	4.30	1.75	4.56	1.77	4.70	1.78	4.86	1.80	5.18	1.82	5.55	1.84						
46	4.42	1.76	4.24	1.79	4.52	1.81	4.67	1.83	4.82	1.84	5.16	1.86	5.53	1.89						
2500	3500			6000	60%	10	5.30	1.29	7.48	1.33	7.62	1.36	7.71	1.37	7.80	1.39	8.02	1.42	8.28	1.45
						12	5.30	1.33	7.28	1.36	7.43	1.39	7.52	1.40	7.62	1.42	7.85	1.45	8.11	1.48
						14	5.30	1.36	7.08	1.39	7.24	1.42	7.34	1.44	7.44	1.45	7.68	1.48	7.96	1.51
						16	5.30	1.39	6.89	1.43	7.07	1.46	7.17	1.47	7.28	1.49	7.53	1.52	7.81	1.54
						18	5.30	1.43	6.72	1.46	6.90	1.49	7.00	1.51	7.12	1.52	7.38	1.55	7.68	1.58
						20	5.30	1.46	6.55	1.50	6.74	1.53	6.85	1.54	6.97	1.56	7.24	1.59	7.55	1.61
						21	5.30	1.48	6.46	1.52	6.66	1.55	6.78	1.56	6.90	1.58	7.17	1.60	7.49	1.63
						23	5.30	1.52	6.31	1.55	6.51	1.58	6.63	1.60	6.76	1.61	7.05	1.64	7.37	1.67
						25	5.30	1.56	6.16	1.59	6.38	1.62	6.50	1.64	6.63	1.65	6.93	1.68	7.26	1.71
						27	5.30	1.60	6.02	1.63	6.25	1.66	6.37	1.68	6.51	1.69	6.82	1.72	7.16	1.75
						29	5.30	1.64	5.88	1.67	6.12	1.70	6.26	1.72	6.40	1.73	6.72	1.76	7.07	1.79
						31	5.30	1.68	5.76	1.71	6.01	1.74	6.15	1.76	6.30	1.77	6.62	1.80	6.99	1.83
						33	5.30	1.72	5.64	1.76	5.90	1.79	6.05	1.80	6.20	1.82	6.54	1.84	6.92	1.87
						35	5.30	1.77	5.54	1.80	5.81	1.83	6.00	1.84	6.12	1.86	6.46	1.89	6.85	1.91
						37	5.30	1.81	5.44	1.84	5.72	1.87	5.87	1.89	6.04	1.90	6.39	1.93	6.79	1.96
						39	5.30	1.86	5.34	1.89	5.64	1.92	5.80	1.93	5.97	1.95	6.34	1.98	6.74	2.00
42	5.30	1.93	5.22	1.96	5.53	1.99	5.70	2.00	5.88	2.02	6.26	2.05	6.68	2.07						
44	5.30	1.98	5.15	2.01	5.47	2.04	5.64	2.05	5.83	2.07	6.22	2.09	6.65	2.12						
46	5.30	2.03	5.09	2.06	5.42	2.09	5.60	2.10	5.79	2.11	6.19	2.14	6.63	2.17						

# 12. Capacity Table

## 12-7. AJ100MCJ5EH/EU

### COOLING

Combination (Capacity Index)		Combination (Total)	Combination (%)	Outdoor Temperature (°C, DB)	Indoor Temperature (°C, WB)													
					14		16		18		19		20		22		24	
					TC(kW)	PI(kW)	TC(kW)	PI(kW)	TC(kW)	PI(kW)	TC(kW)	PI(kW)	TC(kW)	PI(kW)	TC(kW)	PI(kW)	TC(kW)	PI(kW)
2500	5000	7500	75%	10	6.63	1.64	9.35	1.69	9.53	1.73	9.63	1.75	9.75	1.76	10.02	1.80	10.34	1.84
				12	6.63	1.69	9.10	1.73	9.29	1.77	9.40	1.79	9.52	1.81	9.81	1.84	10.14	1.88
				14	6.63	1.73	8.85	1.77	9.05	1.81	9.17	1.83	9.30	1.85	9.60	1.88	9.95	1.92
				16	6.63	1.77	8.62	1.81	8.83	1.85	8.96	1.87	9.10	1.89	9.41	1.93	9.77	1.96
				18	6.63	1.82	8.39	1.86	8.62	1.90	8.76	1.92	8.90	1.94	9.22	1.97	9.60	2.01
				20	6.63	1.86	8.18	1.90	8.42	1.94	8.56	1.96	8.71	1.98	9.05	2.02	9.44	2.05
				21	6.63	1.89	8.08	1.93	8.33	1.97	8.47	1.99	8.62	2.00	8.97	2.04	9.36	2.08
				23	6.63	1.93	7.88	1.98	8.14	2.01	8.29	2.03	8.45	2.05	8.81	2.09	9.21	2.12
				25	6.63	1.98	7.70	2.02	7.97	2.06	8.12	2.08	8.29	2.10	8.66	2.14	9.08	2.17
				27	6.63	2.03	7.52	2.07	7.81	2.11	7.97	2.13	8.14	2.15	8.52	2.19	8.95	2.22
				29	6.63	2.09	7.35	2.13	7.65	2.17	7.82	2.18	8.00	2.20	8.40	2.24	8.84	2.27
				31	6.63	2.14	7.20	2.18	7.51	2.22	7.69	2.24	7.87	2.25	8.28	2.29	8.74	2.33
				33	6.63	2.19	7.05	2.23	7.38	2.27	7.56	2.29	7.75	2.31	8.17	2.34	8.64	2.38
				35	6.63	2.25	6.92	2.29	7.26	2.33	7.50	2.34	7.64	2.36	8.08	2.40	8.56	2.43
				37	6.63	2.31	6.79	2.35	7.15	2.38	7.34	2.40	7.55	2.42	7.99	2.46	8.49	2.49
				39	6.63	2.36	6.68	2.40	7.05	2.44	7.25	2.46	7.46	2.48	7.92	2.51	8.43	2.55
42	6.63	2.45	6.53	2.49	6.91	2.53	7.12	2.55	7.35	2.57	7.83	2.60	8.35	2.63				
44	6.63	2.51	6.44	2.55	6.84	2.59	7.06	2.61	7.28	2.63	7.78	2.66	8.32	2.70				
46	6.63	2.58	6.37	2.62	6.78	2.65	7.00	2.67	7.23	2.69	7.74	2.72	8.29	2.76				
2500	6800	9300	93%	10	7.20	1.79	10.16	1.84	10.35	1.88	10.47	1.90	10.60	1.92	10.89	1.96	11.24	2.00
				12	7.20	1.84	9.88	1.88	10.09	1.93	10.21	1.95	10.35	1.97	10.66	2.01	11.02	2.05
				14	7.20	1.88	9.62	1.93	9.84	1.97	9.97	1.99	10.11	2.01	10.44	2.05	10.81	2.09
				16	7.20	1.93	9.36	1.98	9.60	2.02	9.74	2.04	9.89	2.06	10.22	2.10	10.61	2.14
				18	7.20	1.98	9.12	2.02	9.37	2.07	9.51	2.09	9.67	2.11	10.02	2.15	10.43	2.19
				20	7.20	2.03	8.89	2.07	9.15	2.12	9.30	2.14	9.47	2.16	9.83	2.20	10.25	2.24
				21	7.20	2.06	8.78	2.10	9.05	2.14	9.20	2.16	9.37	2.18	9.74	2.22	10.17	2.26
				23	7.20	2.11	8.57	2.15	8.85	2.19	9.01	2.22	9.19	2.24	9.57	2.28	10.01	2.31
				25	7.20	2.16	8.36	2.21	8.66	2.25	8.83	2.27	9.01	2.29	9.41	2.33	9.87	2.37
				27	7.20	2.22	8.17	2.26	8.48	2.30	8.66	2.32	8.85	2.34	9.26	2.38	9.73	2.42
				29	7.20	2.27	7.99	2.32	8.32	2.36	8.50	2.38	8.69	2.40	9.12	2.44	9.61	2.48
				31	7.20	2.33	7.82	2.37	8.16	2.42	8.35	2.44	8.55	2.46	9.00	2.50	9.49	2.53
				33	7.20	2.39	7.66	2.43	8.02	2.48	8.22	2.50	8.42	2.52	8.88	2.55	9.39	2.59
				35	7.20	2.45	7.52	2.49	7.89	2.54	8.15	2.55	8.31	2.58	8.78	2.61	9.30	2.65
				37	7.20	2.51	7.38	2.56	7.77	2.60	7.98	2.62	8.20	2.64	8.69	2.68	9.22	2.71
				39	7.20	2.58	7.26	2.62	7.66	2.66	7.87	2.68	8.10	2.70	8.61	2.74	9.16	2.78
42	7.20	2.67	7.10	2.72	7.51	2.76	7.74	2.78	7.98	2.80	8.50	2.83	9.08	2.87				
44	7.20	2.74	7.00	2.78	7.43	2.82	7.67	2.84	7.92	2.86	8.45	2.90	9.04	2.94				
46	7.20	2.81	6.92	2.85	7.36	2.89	7.60	2.91	7.86	2.93	8.41	2.97	9.01	3.00				

# 12. Capacity Table

## 12-7. AJ100MCJ5EH/EU

### COOLING

Combination (Capacity Index)				Combination (Total)	Combination (%)	Outdoor Temperature (°C, DB)	Indoor Temperature (°C, WB)															
							14		16		18		19		20		22		24			
							TC(kW)	PI(kW)	TC(kW)	PI(kW)	TC(kW)	PI(kW)	TC(kW)	PI(kW)	TC(kW)	PI(kW)	TC(kW)	PI(kW)	TC(kW)	PI(kW)		
3500	3500			7000	70%	10	6.19	1.50	8.73	1.53	8.89	1.57	8.99	1.59	9.10	1.61	9.36	1.64	9.66	1.67		
						12	6.19	1.53	8.49	1.57	8.67	1.61	8.77	1.63	8.89	1.64	9.15	1.68	9.47	1.71		
						14	6.19	1.57	8.26	1.61	8.45	1.65	8.56	1.66	8.68	1.68	8.96	1.72	9.29	1.75		
						16	6.19	1.61	8.04	1.65	8.24	1.69	8.36	1.70	8.49	1.72	8.78	1.75	9.12	1.79		
						18	6.19	1.65	7.83	1.69	8.05	1.73	8.17	1.74	8.31	1.76	8.61	1.79	8.96	1.83		
						20	6.19	1.70	7.64	1.73	7.86	1.77	7.99	1.79	8.13	1.80	8.45	1.84	8.81	1.87		
						21	6.19	1.72	7.54	1.75	7.77	1.79	7.90	1.81	8.05	1.82	8.37	1.86	8.74	1.89		
						23	6.19	1.76	7.36	1.80	7.60	1.83	7.74	1.85	7.89	1.87	8.22	1.90	8.60	1.93		
						25	6.19	1.81	7.18	1.84	7.44	1.88	7.58	1.90	7.74	1.91	8.08	1.95	8.47	1.98		
						27	6.19	1.85	7.02	1.89	7.29	1.92	7.44	1.94	7.60	1.96	7.96	1.99	8.36	2.02		
						29	6.19	1.90	6.86	1.94	7.14	1.97	7.30	1.99	7.47	2.00	7.84	2.04	8.25	2.07		
						31	6.19	1.95	6.72	1.98	7.01	2.02	7.17	2.04	7.35	2.05	7.73	2.09	8.15	2.12		
						33	6.19	2.00	6.58	2.03	6.89	2.07	7.06	2.08	7.24	2.10	7.63	2.13	8.07	2.17		
						35	6.19	2.05	6.46	2.08	6.77	2.12	7.00	2.13	7.13	2.15	7.54	2.18	7.99	2.22		
						37	6.19	2.10	6.34	2.14	6.67	2.17	6.85	2.19	7.04	2.20	7.46	2.24	7.92	2.27		
						39	6.19	2.15	6.24	2.19	6.58	2.22	6.76	2.24	6.96	2.26	7.39	2.29	7.87	2.32		
42	6.19	2.23	6.09	2.27	6.45	2.30	6.65	2.32	6.86	2.34	7.30	2.37	7.80	2.40								
44	6.19	2.29	6.01	2.32	6.38	2.36	6.59	2.38	6.80	2.39	7.26	2.42	7.76	2.45								
46	6.19	2.35	5.94	2.38	6.32	2.42	6.53	2.43	6.75	2.45	7.22	2.48	7.74	2.51								
3500	5000			8500	85%	10	7.09	1.75	10.00	1.79	10.19	1.84	10.30	1.86	10.43	1.88	10.72	1.92	11.06	1.96		
						12	7.09	1.79	9.73	1.84	9.93	1.88	10.05	1.90	10.18	1.92	10.49	1.96	10.85	2.00		
						14	7.09	1.84	9.47	1.88	9.68	1.92	9.81	1.95	9.95	1.97	10.27	2.01	10.64	2.04		
						16	7.09	1.89	9.22	1.93	9.45	1.97	9.58	1.99	9.73	2.01	10.06	2.05	10.45	2.09		
						18	7.09	1.93	8.98	1.98	9.22	2.02	9.36	2.04	9.52	2.06	9.86	2.10	10.26	2.14		
						20	7.09	1.98	8.75	2.03	9.01	2.07	9.16	2.09	9.32	2.11	9.68	2.15	10.09	2.18		
						21	7.09	2.01	8.64	2.05	8.90	2.09	9.06	2.11	9.22	2.13	9.59	2.17	10.01	2.21		
						23	7.09	2.06	8.43	2.10	8.71	2.14	8.87	2.16	9.04	2.18	9.42	2.22	9.85	2.26		
						25	7.09	2.11	8.23	2.15	8.52	2.20	8.69	2.22	8.87	2.24	9.26	2.27	9.71	2.31		
						27	7.09	2.16	8.04	2.21	8.35	2.25	8.52	2.27	8.71	2.29	9.12	2.33	9.58	2.36		
						29	7.09	2.22	7.86	2.26	8.18	2.30	8.36	2.32	8.56	2.34	8.98	2.38	9.45	2.42		
						31	7.09	2.28	7.70	2.32	8.03	2.36	8.22	2.38	8.42	2.40	8.85	2.44	9.34	2.47		
						33	7.09	2.33	7.54	2.38	7.89	2.42	8.08	2.44	8.29	2.46	8.74	2.49	9.24	2.53		
						35	7.09	2.39	7.40	2.44	7.76	2.48	8.02	2.49	8.17	2.52	8.64	2.55	9.15	2.59		
						37	7.09	2.45	7.27	2.50	7.64	2.54	7.85	2.56	8.07	2.58	8.55	2.61	9.08	2.65		
						39	7.09	2.52	7.14	2.56	7.53	2.60	7.75	2.62	7.98	2.64	8.47	2.67	9.01	2.71		
42	7.09	2.61	6.98	2.65	7.39	2.69	7.62	2.71	7.86	2.73	8.37	2.77	8.93	2.80								
44	7.09	2.68	6.89	2.72	7.31	2.76	7.55	2.78	7.79	2.80	8.32	2.83	8.89	2.87								
46	7.09	2.74	6.81	2.78	7.25	2.82	7.48	2.84	7.73	2.86	8.28	2.90	8.87	2.93								

# 12. Capacity Table

## 12-7. AJ100MCJ5EH/EU

### COOLING

Combination (Capacity Index)				Combination (Total)	Combination (%)	Outdoor Temperature (°C, DB)	Indoor Temperature (°C, WB)															
							14		16		18		19		20		22		24			
							TC(kW)	PI(kW)	TC(kW)	PI(kW)	TC(kW)	PI(kW)	TC(kW)	PI(kW)	TC(kW)	PI(kW)	TC(kW)	PI(kW)	TC(kW)	PI(kW)		
3500	6800			10300	103%	10	759	1.90	10.71	1.94	10.91	1.99	11.03	2.01	11.17	2.04	11.48	2.08	11.85	2.12		
						12	759	1.94	10.42	1.99	10.63	2.04	10.76	2.06	10.91	2.08	11.23	2.13	11.62	2.17		
						14	759	1.99	10.14	2.04	10.37	2.09	10.51	2.11	10.66	2.13	11.00	2.17	11.40	2.22		
						16	759	2.04	9.87	2.09	10.12	2.14	10.26	2.16	10.42	2.18	10.78	2.22	11.19	2.27		
						18	759	2.10	9.61	2.14	9.88	2.19	10.03	2.21	10.19	2.23	10.57	2.28	10.99	2.32		
						20	759	2.15	9.37	2.20	9.65	2.24	9.81	2.26	9.98	2.29	10.37	2.33	10.81	2.37		
						21	759	2.18	9.25	2.22	9.54	2.27	9.70	2.29	9.88	2.31	10.27	2.35	10.72	2.40		
						23	759	2.23	9.03	2.28	9.33	2.32	9.50	2.35	9.68	2.37	10.09	2.41	10.55	2.45		
						25	759	2.29	8.81	2.34	9.13	2.38	9.31	2.40	9.50	2.42	9.92	2.47	10.40	2.51		
						27	759	2.35	8.61	2.39	8.94	2.44	9.13	2.46	9.32	2.48	9.76	2.52	10.26	2.56		
						29	759	2.41	8.42	2.45	8.77	2.50	8.96	2.52	9.16	2.54	9.62	2.58	10.13	2.62		
						31	759	2.47	8.24	2.51	8.60	2.56	8.80	2.58	9.02	2.60	9.48	2.64	10.01	2.68		
						33	759	2.53	8.08	2.58	8.45	2.62	8.66	2.64	8.88	2.66	9.36	2.71	9.90	2.74		
						35	759	2.60	7.92	2.64	8.31	2.69	8.59	2.70	8.76	2.73	9.25	2.77	9.81	2.81		
						37	759	2.66	7.78	2.71	8.19	2.75	8.41	2.77	8.64	2.79	9.16	2.83	9.72	2.87		
						39	759	2.73	7.65	2.77	8.07	2.82	8.30	2.84	8.54	2.86	9.07	2.90	9.65	2.94		
42	759	2.83	7.48	2.88	7.92	2.92	8.16	2.94	8.41	2.96	8.96	3.00	9.57	3.04								
44	759	2.90	7.38	2.95	7.83	2.99	8.08	3.01	8.34	3.03	8.91	3.07	9.53	3.11								
46	759	2.97	7.29	3.02	7.76	3.06	8.02	3.08	8.28	3.10	8.86	3.14	9.50	3.18								
5000	5000			10000	100%	10	756	1.86	10.67	1.91	10.87	1.95	10.99	1.98	11.13	2.00	11.44	2.04	11.81	2.08		
						12	756	1.91	10.38	1.96	10.60	2.00	10.73	2.02	10.87	2.04	11.19	2.09	11.58	2.13		
						14	756	1.96	10.10	2.00	10.33	2.05	10.47	2.07	10.62	2.09	10.96	2.13	11.36	2.17		
						16	756	2.01	9.84	2.05	10.08	2.10	10.23	2.12	10.38	2.14	10.74	2.18	11.15	2.22		
						18	756	2.06	9.58	2.10	9.84	2.15	9.99	2.17	10.16	2.19	10.53	2.23	10.95	2.27		
						20	756	2.11	9.34	2.16	9.61	2.20	9.77	2.22	9.94	2.24	10.33	2.28	10.77	2.32		
						21	756	2.14	9.22	2.18	9.50	2.23	9.67	2.25	9.84	2.27	10.23	2.31	10.68	2.35		
						23	756	2.19	9.00	2.24	9.29	2.28	9.46	2.30	9.65	2.32	10.05	2.36	10.52	2.40		
						25	756	2.25	8.78	2.29	9.10	2.34	9.27	2.36	9.46	2.38	9.89	2.42	10.36	2.46		
						27	756	2.30	8.58	2.35	8.91	2.39	9.09	2.41	9.29	2.44	9.73	2.48	10.22	2.52		
						29	756	2.36	8.39	2.41	8.74	2.45	8.93	2.47	9.13	2.49	9.58	2.53	10.09	2.57		
						31	756	2.42	8.22	2.47	8.57	2.51	8.77	2.53	8.98	2.55	9.45	2.59	9.97	2.63		
						33	756	2.48	8.05	2.53	8.42	2.57	8.63	2.59	8.85	2.61	9.33	2.66	9.87	2.69		
						35	756	2.55	7.90	2.59	8.28	2.64	8.56	2.65	8.72	2.68	9.22	2.72	9.77	2.76		
						37	756	2.61	7.76	2.66	8.16	2.70	8.38	2.72	8.61	2.74	9.12	2.78	9.69	2.82		
						39	756	2.68	7.63	2.72	8.04	2.76	8.27	2.79	8.51	2.81	9.04	2.85	9.62	2.88		
42	756	2.78	7.45	2.82	7.89	2.87	8.13	2.89	8.38	2.91	8.93	2.95	9.53	2.98								
44	756	2.85	7.35	2.89	7.81	2.93	8.05	2.96	8.31	2.98	8.88	3.01	9.49	3.05								
46	756	2.92	7.27	2.96	7.73	3.00	7.99	3.03	8.26	3.05	8.83	3.08	9.46	3.12								

# 12. Capacity Table

## 12-7. AJ100MCJ5EH/EU

### COOLING

Combination (Capacity Index)				Combination (Total)	Combination (%)	Outdoor Temperature (°C, DB)	Indoor Temperature (°C, WB)													
							14		16		18		19		20		22		24	
							TC(kW)	PI(kW)	TC(kW)	PI(kW)	TC(kW)	PI(kW)	TC(kW)	PI(kW)	TC(kW)	PI(kW)	TC(kW)	PI(kW)	TC(kW)	PI(kW)
5000	6800			11800	118%	10	7.79	1.94	11.00	1.99	11.20	2.04	11.33	2.06	11.47	2.08	11.79	2.13	12.17	2.17
						12	7.79	1.99	10.70	2.04	10.92	2.08	11.05	2.11	11.20	2.13	11.53	2.17	11.93	2.22
						14	7.79	2.04	10.41	2.09	10.65	2.13	10.79	2.16	10.94	2.18	11.29	2.22	11.70	2.26
						16	7.79	2.09	10.13	2.14	10.39	2.18	10.54	2.21	10.70	2.23	11.06	2.27	11.49	2.32
						18	7.79	2.14	9.87	2.19	10.14	2.24	10.30	2.26	10.47	2.28	10.85	2.33	11.29	2.37
						20	7.79	2.20	9.62	2.25	9.91	2.29	10.07	2.31	10.25	2.34	10.64	2.38	11.10	2.42
						21	7.79	2.22	9.50	2.27	9.79	2.32	9.96	2.34	10.14	2.36	10.55	2.41	11.01	2.45
						23	7.79	2.28	9.27	2.33	9.58	2.38	9.75	2.40	9.94	2.42	10.36	2.46	10.84	2.50
						25	7.79	2.34	9.05	2.39	9.37	2.43	9.55	2.46	9.75	2.48	10.19	2.52	10.68	2.56
						27	7.79	2.40	8.84	2.45	9.18	2.49	9.37	2.52	9.57	2.54	10.02	2.58	10.53	2.62
						29	7.79	2.46	8.65	2.51	9.00	2.55	9.20	2.58	9.41	2.60	9.88	2.64	10.40	2.68
						31	7.79	2.52	8.47	2.57	8.83	2.62	9.04	2.64	9.26	2.66	9.74	2.70	10.27	2.74
						33	7.79	2.59	8.29	2.63	8.68	2.68	8.89	2.70	9.12	2.72	9.61	2.77	10.17	2.81
						35	7.79	2.65	8.14	2.70	8.54	2.74	8.82	2.76	8.99	2.79	9.50	2.83	10.07	2.87
						37	7.79	2.72	7.99	2.77	8.40	2.81	8.63	2.83	8.87	2.85	9.40	2.90	9.98	2.94
						39	7.79	2.79	7.86	2.83	8.29	2.88	8.52	2.90	8.77	2.92	9.31	2.96	9.91	3.00
42	7.79	2.89	7.68	2.94	8.13	2.98	8.38	3.01	8.64	3.03	9.20	3.07	9.82	3.11						
44	7.79	2.97	7.58	3.01	8.04	3.06	8.30	3.08	8.57	3.10	9.15	3.14	9.78	3.18						
46	7.79	3.04	7.49	3.09	7.97	3.13	8.23	3.15	8.51	3.17	9.10	3.21	9.75	3.25						
6800	6800			13600	136%	10	10.23	1.99	10.63	2.03	11.04	2.07	11.25	2.09	11.46	2.11	11.88	2.15	12.30	2.20
						12	10.05	2.04	10.46	2.08	10.87	2.12	11.07	2.15	11.28	2.17	11.70	2.21	12.13	2.25
						14	9.88	2.09	10.28	2.14	10.69	2.18	10.90	2.20	11.11	2.22	11.53	2.26	11.95	2.31
						16	9.70	2.15	10.10	2.19	10.51	2.23	10.72	2.26	10.93	2.28	11.35	2.32	11.78	2.36
						18	9.52	2.20	9.93	2.25	10.34	2.29	10.55	2.31	10.76	2.33	11.18	2.38	11.61	2.42
						20	9.35	2.26	9.75	2.31	10.17	2.35	10.37	2.37	10.58	2.39	11.01	2.44	11.44	2.48
						21	9.26	2.29	9.67	2.33	10.08	2.38	10.29	2.40	10.50	2.42	10.92	2.47	11.35	2.51
						23	9.09	2.35	9.49	2.39	9.91	2.44	10.11	2.46	10.32	2.48	10.75	2.53	11.18	2.57
						25	8.91	2.41	9.32	2.45	9.73	2.50	9.94	2.52	10.15	2.54	10.58	2.59	11.01	2.63
						27	8.74	2.47	9.14	2.51	9.56	2.56	9.77	2.58	9.98	2.60	10.41	2.65	10.84	2.69
						29	8.56	2.53	8.97	2.58	9.39	2.62	9.60	2.64	9.81	2.67	10.24	2.71	10.67	2.76
						31	8.39	2.59	8.80	2.64	9.21	2.68	9.43	2.71	9.64	2.73	10.07	2.77	10.50	2.82
						33	8.22	2.66	8.63	2.70	9.04	2.75	9.25	2.77	9.47	2.79	9.90	2.84	10.33	2.88
						35	8.04	2.72	8.45	2.77	8.87	2.81	9.10	2.83	9.30	2.86	9.73	2.90	10.16	2.95
						37	7.87	2.79	8.28	2.83	8.70	2.88	8.91	2.90	9.13	2.93	9.56	2.97	9.99	3.02
						39	7.70	2.85	8.11	2.90	8.53	2.95	8.74	2.97	8.96	2.99	9.39	3.04	9.83	3.09
42	7.44	2.96	7.86	3.00	8.28	3.05	8.49	3.07	8.70	3.10	9.14	3.14	9.57	3.19						
44	7.27	3.02	7.69	3.07	8.11	3.12	8.32	3.14	8.54	3.17	8.97	3.21	9.41	3.26						
46	7.10	3.09	7.52	3.14	7.94	3.19	8.15	3.21	8.37	3.24	8.80	3.28	9.24	3.33						

# 12. Capacity Table

## 12-7. AJ100MCJ5EH/EU

### COOLING

Combination (Capacity Index)				Combination (Total)	Combination (%)	Outdoor Temperature (°C, DB)	Indoor Temperature (°C, WB)															
							14		16		18		19		20		22		24			
							TC(kW)	PI(kW)	TC(kW)	PI(kW)	TC(kW)	PI(kW)	TC(kW)	PI(kW)	TC(kW)	PI(kW)	TC(kW)	PI(kW)	TC(kW)	PI(kW)		
2000	2000	2000		6000	60%	10	5.30	1.31	7.48	1.35	7.62	1.38	7.71	1.39	7.80	1.41	8.02	1.44	8.28	1.47		
						12	5.30	1.35	7.28	1.38	7.43	1.41	7.52	1.43	7.62	1.44	7.85	1.47	8.11	1.50		
						14	5.30	1.38	7.08	1.41	7.24	1.45	7.34	1.46	7.44	1.48	7.68	1.51	7.96	1.53		
						16	5.30	1.42	6.89	1.45	7.07	1.48	7.17	1.50	7.28	1.51	7.53	1.54	7.81	1.57		
						18	5.30	1.45	6.72	1.48	6.90	1.52	7.00	1.53	7.12	1.55	7.38	1.58	7.68	1.60		
						20	5.30	1.49	6.55	1.52	6.74	1.55	6.85	1.57	6.97	1.58	7.24	1.61	7.55	1.64		
						21	5.30	1.51	6.46	1.54	6.66	1.57	6.78	1.59	6.90	1.60	7.17	1.63	7.49	1.66		
						23	5.30	1.55	6.31	1.58	6.51	1.61	6.63	1.62	6.76	1.64	7.05	1.67	7.37	1.70		
						25	5.30	1.59	6.16	1.62	6.38	1.65	6.50	1.66	6.63	1.68	6.93	1.71	7.26	1.74		
						27	5.30	1.63	6.02	1.66	6.25	1.69	6.37	1.70	6.51	1.72	6.82	1.75	7.16	1.78		
						29	5.30	1.67	5.88	1.70	6.12	1.73	6.26	1.75	6.40	1.76	6.72	1.79	7.07	1.82		
						31	5.30	1.71	5.76	1.74	6.01	1.77	6.15	1.79	6.30	1.80	6.62	1.83	6.99	1.86		
						33	5.30	1.75	5.64	1.78	5.90	1.82	6.05	1.83	6.20	1.85	6.54	1.87	6.92	1.90		
						35	5.30	1.80	5.54	1.83	5.81	1.86	6.00	1.87	6.12	1.89	6.46	1.92	6.85	1.94		
						37	5.30	1.84	5.44	1.87	5.72	1.90	5.87	1.92	6.04	1.93	6.39	1.96	6.79	1.99		
						39	5.30	1.89	5.34	1.92	5.64	1.95	5.80	1.97	5.97	1.98	6.34	2.01	6.74	2.04		
42	5.30	1.96	5.22	1.99	5.53	2.02	5.70	2.04	5.88	2.05	6.26	2.08	6.68	2.11								
44	5.30	2.01	5.15	2.04	5.47	2.07	5.64	2.09	5.83	2.10	6.22	2.13	6.65	2.15								
46	5.30	2.06	5.09	2.09	5.42	2.12	5.60	2.13	5.79	2.15	6.19	2.18	6.63	2.20								
2000	2000	2500		6500	65%	10	5.74	1.41	8.10	1.45	8.26	1.48	8.35	1.50	8.45	1.52	8.69	1.55	8.97	1.58		
						12	5.74	1.45	7.88	1.48	8.05	1.52	8.15	1.53	8.25	1.55	8.50	1.58	8.79	1.61		
						14	5.74	1.48	7.67	1.52	7.85	1.55	7.95	1.57	8.06	1.59	8.32	1.62	8.62	1.65		
						16	5.74	1.52	7.47	1.56	7.66	1.59	7.76	1.61	7.88	1.62	8.15	1.66	8.47	1.69		
						18	5.74	1.56	7.28	1.60	7.47	1.63	7.59	1.65	7.71	1.66	7.99	1.69	8.32	1.72		
						20	5.74	1.60	7.09	1.64	7.30	1.67	7.42	1.69	7.55	1.70	7.84	1.73	8.18	1.76		
						21	5.74	1.62	7.00	1.66	7.22	1.69	7.34	1.71	7.47	1.72	7.77	1.75	8.11	1.78		
						23	5.74	1.66	6.83	1.70	7.06	1.73	7.19	1.75	7.33	1.76	7.63	1.79	7.99	1.82		
						25	5.74	1.70	6.67	1.74	6.91	1.77	7.04	1.79	7.19	1.80	7.51	1.84	7.87	1.87		
						27	5.74	1.75	6.52	1.78	6.77	1.82	6.91	1.83	7.06	1.85	7.39	1.88	7.76	1.91		
						29	5.74	1.79	6.37	1.83	6.63	1.86	6.78	1.88	6.93	1.89	7.28	1.92	7.66	1.95		
						31	5.74	1.84	6.24	1.87	6.51	1.91	6.66	1.92	6.82	1.94	7.18	1.97	7.57	2.00		
						33	5.74	1.88	6.11	1.92	6.40	1.95	6.55	1.97	6.72	1.98	7.08	2.01	7.49	2.04		
						35	5.74	1.93	6.00	1.97	6.29	2.00	6.50	2.01	6.63	2.03	7.00	2.06	7.42	2.09		
						37	5.74	1.98	5.89	2.01	6.19	2.05	6.36	2.06	6.54	2.08	6.93	2.11	7.36	2.14		
						39	5.74	2.03	5.79	2.06	6.11	2.10	6.28	2.11	6.46	2.13	6.86	2.16	7.30	2.19		
42	5.74	2.11	5.66	2.14	5.99	2.17	6.17	2.19	6.37	2.20	6.78	2.23	7.24	2.26								
44	5.74	2.16	5.58	2.19	5.93	2.23	6.12	2.24	6.31	2.26	6.74	2.29	7.21	2.32								
46	5.74	2.21	5.52	2.25	5.87	2.28	6.07	2.29	6.27	2.31	6.71	2.34	7.19	2.37								



# 12. Capacity Table

## 12-7. AJ100MCJ5EH/EU

### COOLING

Combination (Capacity Index)				Combination (Total)	Combination (%)	Outdoor Temperature (°C, DB)	Indoor Temperature (°C, WB)															
							14		16		18		19		20		22		24			
							TC(kW)	PI(kW)	TC(kW)	PI(kW)	TC(kW)	PI(kW)	TC(kW)	PI(kW)	TC(kW)	PI(kW)	TC(kW)	PI(kW)	TC(kW)	PI(kW)		
2000	2000	3500		7500	75%	10	6.63	1.59	9.35	1.63	9.53	1.67	9.63	1.69	9.75	1.70	10.02	1.74	10.34	1.78		
						12	6.63	1.63	9.10	1.67	9.29	1.71	9.40	1.73	9.52	1.74	9.81	1.78	10.14	1.81		
						14	6.63	1.67	8.85	1.71	9.05	1.75	9.17	1.77	9.30	1.78	9.60	1.82	9.95	1.85		
						16	6.63	1.71	8.62	1.75	8.83	1.79	8.96	1.81	9.10	1.83	9.41	1.86	9.77	1.90		
						18	6.63	1.75	8.39	1.79	8.62	1.83	8.76	1.85	8.90	1.87	9.22	1.90	9.60	1.94		
						20	6.63	1.80	8.18	1.84	8.42	1.88	8.56	1.90	8.71	1.91	9.05	1.95	9.44	1.98		
						21	6.63	1.82	8.08	1.86	8.33	1.90	8.47	1.92	8.62	1.94	8.97	1.97	9.36	2.01		
						23	6.63	1.87	7.88	1.91	8.14	1.95	8.29	1.96	8.45	1.98	8.81	2.02	9.21	2.05		
						25	6.63	1.92	7.70	1.96	7.97	1.99	8.12	2.01	8.29	2.03	8.66	2.06	9.08	2.10		
						27	6.63	1.96	7.52	2.00	7.81	2.04	7.97	2.06	8.14	2.08	8.52	2.11	8.95	2.15		
						29	6.63	2.01	7.35	2.05	7.65	2.09	7.82	2.11	8.00	2.13	8.40	2.16	8.84	2.20		
						31	6.63	2.07	7.20	2.10	7.51	2.14	7.69	2.16	7.87	2.18	8.28	2.21	8.74	2.25		
						33	6.63	2.12	7.05	2.16	7.38	2.19	7.56	2.21	7.75	2.23	8.17	2.26	8.64	2.30		
						35	6.63	2.17	6.92	2.21	7.26	2.25	7.50	2.26	7.64	2.28	8.08	2.32	8.56	2.35		
						37	6.63	2.23	6.79	2.27	7.15	2.30	7.34	2.32	7.55	2.34	7.99	2.37	8.49	2.40		
						39	6.63	2.28	6.68	2.32	7.05	2.36	7.25	2.38	7.46	2.39	7.92	2.43	8.43	2.46		
42	6.63	2.37	6.53	2.41	6.91	2.44	7.12	2.46	7.35	2.48	7.83	2.51	8.35	2.54								
44	6.63	2.43	6.44	2.47	6.84	2.50	7.06	2.52	7.28	2.54	7.78	2.57	8.32	2.60								
46	6.63	2.49	6.37	2.53	6.78	2.56	7.00	2.58	7.23	2.60	7.74	2.63	8.29	2.66								
2000	2000	5000		9000	90%	10	7.68	1.83	10.83	1.88	11.04	1.92	11.16	1.95	11.30	1.97	11.61	2.01	11.99	2.05		
						12	7.68	1.88	10.54	1.93	10.76	1.97	10.89	1.99	11.03	2.01	11.36	2.06	11.75	2.10		
						14	7.68	1.93	10.26	1.97	10.49	2.02	10.63	2.04	10.78	2.06	11.13	2.10	11.53	2.14		
						16	7.68	1.98	9.99	2.02	10.24	2.07	10.38	2.09	10.54	2.11	10.90	2.15	11.32	2.19		
						18	7.68	2.03	9.73	2.07	9.99	2.12	10.14	2.14	10.31	2.16	10.69	2.20	11.12	2.24		
						20	7.68	2.08	9.48	2.12	9.76	2.17	9.92	2.19	10.10	2.21	10.49	2.25	10.93	2.29		
						21	7.68	2.10	9.36	2.15	9.65	2.19	9.81	2.21	9.99	2.24	10.39	2.28	10.84	2.32		
						23	7.68	2.16	9.13	2.20	9.44	2.25	9.61	2.27	9.79	2.29	10.21	2.33	10.68	2.37		
						25	7.68	2.21	8.92	2.26	9.23	2.30	9.41	2.32	9.61	2.34	10.04	2.38	10.52	2.42		
						27	7.68	2.27	8.71	2.31	9.05	2.36	9.23	2.38	9.43	2.40	9.88	2.44	10.38	2.48		
						29	7.68	2.33	8.52	2.37	8.87	2.41	9.06	2.44	9.27	2.46	9.73	2.50	10.24	2.54		
						31	7.68	2.39	8.34	2.43	8.70	2.47	8.91	2.49	9.12	2.52	9.59	2.56	10.12	2.59		
						33	7.68	2.45	8.17	2.49	8.55	2.53	8.76	2.55	8.98	2.58	9.47	2.61	10.02	2.65		
						35	7.68	2.51	8.02	2.55	8.41	2.60	8.69	2.61	8.86	2.64	9.36	2.68	9.92	2.71		
						37	7.68	2.57	7.87	2.62	8.28	2.66	8.51	2.68	8.74	2.70	9.26	2.74	9.84	2.78		
						39	7.68	2.64	7.74	2.68	8.16	2.72	8.40	2.74	8.64	2.76	9.18	2.80	9.76	2.84		
42	7.68	2.74	7.57	2.78	8.01	2.82	8.25	2.84	8.51	2.86	9.07	2.90	9.68	2.94								
44	7.68	2.80	7.46	2.85	7.92	2.89	8.18	2.91	8.44	2.93	9.01	2.97	9.64	3.01								
46	7.68	2.87	7.38	2.92	7.85	2.96	8.11	2.98	8.38	3.00	8.97	3.04	9.61	3.08								

# 12. Capacity Table

## 12-7. AJ100MCJ5EH/EU

### COOLING

Combination (Capacity Index)				Combination (Total)	Combination (%)	Outdoor Temperature (°C, DB)	Indoor Temperature (°C, WB)															
							14		16		18		19		20		22		24			
							TC(kW)	PI(kW)	TC(kW)	PI(kW)	TC(kW)	PI(kW)	TC(kW)	PI(kW)	TC(kW)	PI(kW)	TC(kW)	PI(kW)	TC(kW)	PI(kW)		
2000	2000	6800		10800	108%	10	793	1.88	1118	1.93	1139	1.98	1152	2.00	1166	2.02	1199	2.06	1237	2.10		
						12	793	1.93	1088	1.98	1111	2.02	1124	2.05	1139	2.07	1173	2.11	1213	2.15		
						14	793	1.98	1059	2.03	1083	2.07	1097	2.09	1113	2.12	1149	2.16	1190	2.20		
						16	793	2.03	1031	2.08	1056	2.12	1072	2.14	1088	2.17	1125	2.21	1168	2.25		
						18	793	2.08	1004	2.13	1031	2.17	1047	2.19	1064	2.22	1103	2.26	1148	2.30		
						20	793	2.13	979	2.18	1007	2.23	1024	2.25	1042	2.27	1082	2.31	1129	2.35		
						21	793	2.16	966	2.21	996	2.25	1013	2.27	1031	2.30	1073	2.34	1119	2.38		
						23	793	2.22	943	2.26	974	2.31	992	2.33	1011	2.35	1054	2.39	1102	2.43		
						25	793	2.27	920	2.32	953	2.36	972	2.38	992	2.41	1036	2.45	1086	2.49		
						27	793	2.33	899	2.38	934	2.42	953	2.44	974	2.46	1019	2.50	1071	2.54		
						29	793	2.39	880	2.44	915	2.48	935	2.50	957	2.52	1004	2.56	1057	2.60		
						31	793	2.45	861	2.50	898	2.54	919	2.56	941	2.58	990	2.62	1045	2.66		
						33	793	2.51	844	2.56	883	2.60	904	2.62	927	2.64	978	2.69	1034	2.72		
						35	793	2.58	828	2.62	868	2.67	897	2.68	914	2.71	966	2.75	1024	2.79		
						37	793	2.64	813	2.69	855	2.73	878	2.75	903	2.77	956	2.81	1015	2.85		
						39	793	2.71	799	2.75	843	2.80	867	2.82	892	2.84	947	2.88	1008	2.92		
42	793	2.81	781	2.85	827	2.90	852	2.92	879	2.94	936	2.98	999	3.02								
44	793	2.88	771	2.92	818	2.97	844	2.99	871	3.01	930	3.05	995	3.09								
46	793	2.95	761	3.00	810	3.04	837	3.06	865	3.08	926	3.12	992	3.16								
2000	2500	2500		7000	70%	10	619	1.48	873	1.52	889	1.56	899	1.57	910	1.59	936	1.62	966	1.66		
						12	619	1.52	849	1.56	867	1.59	877	1.61	889	1.63	915	1.66	947	1.69		
						14	619	1.56	826	1.60	845	1.63	856	1.65	868	1.67	896	1.70	929	1.73		
						16	619	1.60	804	1.63	824	1.67	836	1.69	849	1.70	878	1.74	912	1.77		
						18	619	1.64	783	1.67	805	1.71	817	1.73	831	1.74	861	1.78	896	1.81		
						20	619	1.68	764	1.72	786	1.75	799	1.77	813	1.79	845	1.82	881	1.85		
						21	619	1.70	754	1.74	777	1.77	790	1.79	805	1.81	837	1.84	874	1.87		
						23	619	1.74	736	1.78	760	1.82	774	1.83	789	1.85	822	1.88	860	1.91		
						25	619	1.79	718	1.83	744	1.86	758	1.88	774	1.89	808	1.93	847	1.96		
						27	619	1.83	702	1.87	729	1.91	744	1.92	760	1.94	796	1.97	836	2.00		
						29	619	1.88	686	1.92	714	1.95	730	1.97	747	1.99	784	2.02	825	2.05		
						31	619	1.93	672	1.97	701	2.00	717	2.02	735	2.03	773	2.07	815	2.10		
						33	619	1.98	658	2.01	689	2.05	706	2.07	724	2.08	763	2.11	807	2.14		
						35	619	2.03	646	2.06	677	2.10	700	2.11	713	2.13	754	2.16	799	2.19		
						37	619	2.08	634	2.11	667	2.15	685	2.17	704	2.18	746	2.21	792	2.24		
						39	619	2.13	624	2.17	658	2.20	676	2.22	696	2.23	739	2.27	787	2.30		
42	619	2.21	609	2.25	645	2.28	665	2.30	686	2.31	730	2.35	780	2.38								
44	619	2.27	601	2.30	638	2.34	659	2.35	680	2.37	726	2.40	776	2.43								
46	619	2.32	594	2.36	632	2.39	653	2.41	675	2.42	722	2.46	774	2.49								

# 12. Capacity Table

## 12-7. AJ100MCJ5EH/EU

### COOLING

Combination (Capacity Index)				Combination (Total)	Combination (%)	Outdoor Temperature (°C, DB)	Indoor Temperature (°C, WB)													
							14		16		18		19		20		22		24	
							TC(kW)	PI(kW)	TC(kW)	PI(kW)	TC(kW)	PI(kW)	TC(kW)	PI(kW)	TC(kW)	PI(kW)	TC(kW)	PI(kW)	TC(kW)	PI(kW)
2000	2500	3500		8000	80%	10	7.07	1.65	9.97	1.69	10.16	1.73	10.28	1.75	10.40	1.77	10.69	1.81	11.03	1.85
						12	7.07	1.69	9.70	1.73	9.90	1.77	10.02	1.79	10.16	1.81	10.46	1.85	10.82	1.89
						14	7.07	1.74	9.44	1.78	9.66	1.82	9.79	1.84	9.93	1.86	10.24	1.89	10.61	1.93
						16	7.07	1.78	9.19	1.82	9.42	1.86	9.56	1.88	9.70	1.90	10.04	1.94	10.42	1.97
						18	7.07	1.82	8.95	1.87	9.20	1.91	9.34	1.92	9.49	1.94	9.84	1.98	10.24	2.02
						20	7.07	1.87	8.73	1.91	8.99	1.95	9.13	1.97	9.29	1.99	9.65	2.03	10.06	2.06
						21	7.07	1.89	8.62	1.94	8.88	1.97	9.03	1.99	9.20	2.01	9.57	2.05	9.98	2.08
						23	7.07	1.94	8.41	1.98	8.69	2.02	8.84	2.04	9.02	2.06	9.40	2.10	9.83	2.13
						25	7.07	1.99	8.21	2.03	8.50	2.07	8.67	2.09	8.84	2.11	9.24	2.15	9.68	2.18
						27	7.07	2.04	8.02	2.08	8.33	2.12	8.50	2.14	8.68	2.16	9.09	2.20	9.55	2.23
						29	7.07	2.10	7.84	2.14	8.16	2.17	8.34	2.19	8.53	2.21	8.96	2.25	9.43	2.28
						31	7.07	2.15	7.68	2.19	8.01	2.23	8.20	2.25	8.40	2.26	8.83	2.30	9.32	2.34
						33	7.07	2.20	7.52	2.24	7.87	2.28	8.06	2.30	8.27	2.32	8.72	2.35	9.22	2.39
						35	7.07	2.26	7.38	2.30	7.74	2.34	8.00	2.35	8.15	2.37	8.62	2.41	9.13	2.44
						37	7.07	2.32	7.25	2.36	7.62	2.39	7.83	2.41	8.05	2.43	8.53	2.47	9.05	2.50
						39	7.07	2.37	7.13	2.41	7.52	2.45	7.73	2.47	7.96	2.49	8.45	2.52	8.99	2.56
42	7.07	2.46	6.97	2.50	7.38	2.54	7.60	2.56	7.84	2.58	8.35	2.61	8.91	2.65						
44	7.07	2.53	6.87	2.56	7.30	2.60	7.53	2.62	7.77	2.64	8.30	2.67	8.87	2.71						
46	7.07	2.59	6.79	2.63	7.23	2.66	7.46	2.68	7.72	2.70	8.25	2.74	8.85	2.77						
2000	2500	5000		9500	95%	10	7.76	1.83	10.95	1.88	11.15	1.92	11.28	1.95	11.42	1.97	11.73	2.01	12.11	2.05
						12	7.76	1.88	10.65	1.93	10.87	1.97	11.00	1.99	11.15	2.01	11.48	2.06	11.87	2.10
						14	7.76	1.93	10.36	1.97	10.60	2.02	10.74	2.04	10.89	2.06	11.24	2.10	11.65	2.14
						16	7.76	1.98	10.09	2.02	10.34	2.07	10.49	2.09	10.65	2.11	11.01	2.15	11.44	2.19
						18	7.76	2.03	9.83	2.07	10.10	2.12	10.25	2.14	10.42	2.16	10.80	2.20	11.23	2.24
						20	7.76	2.08	9.58	2.12	9.86	2.17	10.02	2.19	10.20	2.21	10.60	2.25	11.05	2.29
						21	7.76	2.10	9.46	2.15	9.75	2.19	9.92	2.21	10.10	2.24	10.50	2.28	10.96	2.32
						23	7.76	2.16	9.23	2.20	9.53	2.25	9.71	2.27	9.90	2.29	10.31	2.33	10.79	2.37
						25	7.76	2.21	9.01	2.26	9.33	2.30	9.51	2.32	9.71	2.34	10.14	2.38	10.63	2.42
						27	7.76	2.27	8.80	2.31	9.14	2.36	9.33	2.38	9.53	2.40	9.98	2.44	10.48	2.48
						29	7.76	2.33	8.61	2.37	8.96	2.41	9.16	2.44	9.37	2.46	9.83	2.50	10.35	2.54
						31	7.76	2.39	8.43	2.43	8.79	2.47	9.00	2.49	9.22	2.52	9.69	2.56	10.23	2.59
						33	7.76	2.45	8.26	2.49	8.64	2.53	8.85	2.55	9.08	2.58	9.57	2.61	10.12	2.65
						35	7.76	2.51	8.10	2.55	8.50	2.60	8.78	2.61	8.95	2.64	9.46	2.68	10.02	2.71
						37	7.76	2.57	7.95	2.62	8.37	2.66	8.59	2.68	8.83	2.70	9.36	2.74	9.94	2.78
						39	7.76	2.64	7.82	2.68	8.25	2.72	8.48	2.74	8.73	2.76	9.27	2.80	9.87	2.84
42	7.76	2.74	7.64	2.78	8.09	2.82	8.34	2.84	8.60	2.86	9.16	2.90	9.78	2.94						
44	7.76	2.80	7.54	2.85	8.01	2.89	8.26	2.91	8.53	2.93	9.10	2.97	9.74	3.01						
46	7.76	2.87	7.45	2.92	7.93	2.96	8.19	2.98	8.47	3.00	9.06	3.04	9.71	3.08						

# 12. Capacity Table

## 12-7. AJ100MCJ5EH/EU

### COOLING

Combination (Capacity Index)				Combination (Total)	Combination (%)	Outdoor Temperature (°C, DB)	Indoor Temperature (°C, WB)													
							14		16		18		19		20		22		24	
							TC(kW)	PI(kW)	TC(kW)	PI(kW)	TC(kW)	PI(kW)	TC(kW)	PI(kW)	TC(kW)	PI(kW)	TC(kW)	PI(kW)	TC(kW)	PI(kW)
2000	2500	6800		11300	113%	10	774	1.88	10.92	1.93	11.13	1.98	11.25	2.00	11.39	2.02	11.71	2.06	12.08	2.10
						12	774	1.93	10.62	1.98	10.85	2.02	10.98	2.05	11.12	2.07	11.46	2.11	11.85	2.15
						14	774	1.98	10.34	2.03	10.58	2.07	10.71	2.09	10.87	2.12	11.22	2.16	11.62	2.20
						16	774	2.03	10.07	2.08	10.32	2.12	10.46	2.14	10.63	2.17	10.99	2.21	11.41	2.25
						18	774	2.08	9.80	2.13	10.07	2.17	10.23	2.19	10.40	2.22	10.77	2.26	11.21	2.30
						20	774	2.13	9.56	2.18	9.84	2.23	10.00	2.25	10.18	2.27	10.57	2.31	11.02	2.35
						21	774	2.16	9.44	2.21	9.73	2.25	9.89	2.27	10.07	2.30	10.47	2.34	10.93	2.38
						23	774	2.22	9.21	2.26	9.51	2.31	9.69	2.33	9.87	2.35	10.29	2.39	10.76	2.43
						25	774	2.27	8.99	2.32	9.31	2.36	9.49	2.38	9.68	2.41	10.12	2.45	10.60	2.49
						27	774	2.33	8.78	2.38	9.12	2.42	9.31	2.44	9.51	2.46	9.96	2.50	10.46	2.54
						29	774	2.39	8.59	2.44	8.94	2.48	9.14	2.50	9.35	2.52	9.81	2.56	10.33	2.60
						31	774	2.45	8.41	2.50	8.77	2.54	8.98	2.56	9.19	2.58	9.67	2.62	10.20	2.66
						33	774	2.51	8.24	2.56	8.62	2.60	8.83	2.62	9.06	2.64	9.55	2.69	10.10	2.72
						35	774	2.58	8.08	2.62	8.48	2.67	8.76	2.68	8.93	2.71	9.44	2.75	10.00	2.79
						37	774	2.64	7.94	2.69	8.35	2.73	8.57	2.75	8.81	2.77	9.34	2.81	9.92	2.85
						39	774	2.71	7.80	2.75	8.23	2.80	8.46	2.82	8.71	2.84	9.25	2.88	9.84	2.92
42	774	2.81	7.63	2.85	8.08	2.90	8.32	2.92	8.58	2.94	9.14	2.98	9.76	3.02						
44	774	2.88	7.53	2.92	7.99	2.97	8.24	2.99	8.51	3.01	9.08	3.05	9.72	3.09						
46	774	2.95	7.43	3.00	7.91	3.04	8.17	3.06	8.45	3.08	9.04	3.12	9.69	3.16						
2000	3500	3500		9000	90%	10	768	1.83	10.83	1.87	11.04	1.92	11.16	1.94	11.30	1.96	11.61	2.00	11.99	2.04
						12	768	1.87	10.54	1.92	10.76	1.96	10.89	1.98	11.03	2.01	11.36	2.05	11.75	2.09
						14	768	1.92	10.26	1.97	10.49	2.01	10.63	2.03	10.78	2.05	11.13	2.09	11.53	2.13
						16	768	1.97	9.99	2.01	10.24	2.06	10.38	2.08	10.54	2.10	10.90	2.14	11.32	2.18
						18	768	2.02	9.73	2.06	9.99	2.11	10.14	2.13	10.31	2.15	10.69	2.19	11.12	2.23
						20	768	2.07	9.48	2.12	9.76	2.16	9.92	2.18	10.10	2.20	10.49	2.24	10.93	2.28
						21	768	2.10	9.36	2.14	9.65	2.18	9.81	2.21	9.99	2.23	10.39	2.27	10.84	2.31
						23	768	2.15	9.13	2.19	9.44	2.24	9.61	2.26	9.79	2.28	10.21	2.32	10.68	2.36
						25	768	2.20	8.92	2.25	9.23	2.29	9.41	2.31	9.61	2.33	10.04	2.37	10.52	2.41
						27	768	2.26	8.71	2.31	9.05	2.35	9.23	2.37	9.43	2.39	9.88	2.43	10.38	2.47
						29	768	2.32	8.52	2.36	8.87	2.41	9.06	2.43	9.27	2.45	9.73	2.49	10.24	2.53
						31	768	2.38	8.34	2.42	8.70	2.46	8.91	2.49	9.12	2.51	9.59	2.55	10.12	2.58
						33	768	2.44	8.17	2.48	8.55	2.52	8.76	2.55	8.98	2.57	9.47	2.60	10.02	2.64
						35	768	2.50	8.02	2.54	8.41	2.59	8.69	2.60	8.86	2.63	9.36	2.67	9.92	2.70
						37	768	2.56	7.87	2.61	8.28	2.65	8.51	2.67	8.74	2.69	9.26	2.73	9.84	2.77
						39	768	2.63	7.74	2.67	8.16	2.71	8.40	2.73	8.64	2.75	9.18	2.79	9.76	2.83
42	768	2.73	7.57	2.77	8.01	2.81	8.25	2.83	8.51	2.85	9.07	2.89	9.68	2.93						
44	768	2.79	7.46	2.84	7.92	2.88	8.18	2.90	8.44	2.92	9.01	2.96	9.64	2.99						
46	768	2.86	7.38	2.91	7.85	2.95	8.11	2.97	8.38	2.99	8.97	3.03	9.61	3.06						

# 12. Capacity Table

## 12-7. AJ100MCJ5EH/EU

### COOLING

Combination (Capacity Index)				Combination (Total)	Combination (%)	Outdoor Temperature (°C, DB)	Indoor Temperature (°C, WB)															
							14		16		18		19		20		22		24			
							TC(kW)	PI(kW)	TC(kW)	PI(kW)	TC(kW)	PI(kW)	TC(kW)	PI(kW)	TC(kW)	PI(kW)	TC(kW)	PI(kW)	TC(kW)	PI(kW)		
2000	3500	5000		10500	105%	10	789	1.87	11.13	1.92	11.34	1.96	11.47	1.98	11.61	2.01	11.94	2.05	12.32	2.09		
						12	789	1.92	10.83	1.96	11.06	2.01	11.19	2.03	11.34	2.05	11.68	2.09	12.08	2.14		
						14	789	1.96	10.54	2.01	10.78	2.06	10.92	2.08	11.08	2.10	11.43	2.14	11.85	2.18		
						16	789	2.01	10.26	2.06	10.52	2.11	10.67	2.13	10.83	2.15	11.20	2.19	11.63	2.23		
						18	789	2.06	10.00	2.11	10.27	2.16	10.43	2.18	10.60	2.20	10.98	2.24	11.43	2.28		
						20	789	2.12	9.74	2.16	10.03	2.21	10.19	2.23	10.37	2.25	10.78	2.29	11.23	2.33		
						21	789	2.14	9.62	2.19	9.92	2.24	10.08	2.26	10.27	2.28	10.68	2.32	11.14	2.36		
						23	789	2.20	9.39	2.25	9.70	2.29	9.87	2.31	10.06	2.33	10.49	2.37	10.97	2.41		
						25	789	2.26	9.16	2.30	9.49	2.35	9.67	2.37	9.87	2.39	10.31	2.43	10.81	2.47		
						27	789	2.31	8.95	2.36	9.29	2.40	9.49	2.42	9.69	2.45	10.15	2.49	10.66	2.53		
						29	789	2.37	8.76	2.42	9.11	2.46	9.31	2.48	9.53	2.50	10.00	2.54	10.53	2.58		
						31	789	2.43	8.57	2.48	8.94	2.52	9.15	2.54	9.37	2.56	9.86	2.60	10.40	2.64		
						33	789	2.49	8.40	2.54	8.79	2.58	9.00	2.60	9.23	2.62	9.73	2.67	10.29	2.70		
						35	789	2.56	8.24	2.60	8.64	2.65	8.93	2.66	9.10	2.69	9.62	2.73	10.19	2.77		
						37	789	2.62	8.09	2.67	8.51	2.71	8.74	2.73	8.98	2.75	9.52	2.79	10.11	2.83		
						39	789	2.69	7.96	2.73	8.39	2.78	8.63	2.80	8.88	2.82	9.43	2.86	10.03	2.89		
42	789	2.79	7.78	2.83	8.23	2.88	8.48	2.90	8.75	2.92	9.32	2.96	9.95	3.00								
44	789	2.86	7.67	2.90	8.14	2.95	8.40	2.97	8.67	2.99	9.26	3.03	9.90	3.06								
46	789	2.93	7.58	2.97	8.07	3.02	8.33	3.04	8.61	3.06	9.21	3.10	9.87	3.13								
2000	3500	6800		12300	123%	10	792	1.92	11.17	1.97	11.38	2.01	11.51	2.04	11.65	2.06	11.98	2.10	12.36	2.14		
						12	792	1.97	10.87	2.01	11.09	2.06	11.23	2.08	11.38	2.11	11.72	2.15	12.12	2.19		
						14	792	2.02	10.57	2.06	10.82	2.11	10.96	2.13	11.12	2.16	11.47	2.20	11.89	2.24		
						16	792	2.07	10.30	2.11	10.55	2.16	10.70	2.18	10.87	2.21	11.24	2.25	11.67	2.29		
						18	792	2.12	10.03	2.17	10.30	2.21	10.46	2.24	10.63	2.26	11.02	2.30	11.46	2.34		
						20	792	2.17	9.77	2.22	10.06	2.27	10.23	2.29	10.41	2.31	10.81	2.35	11.27	2.39		
						21	792	2.20	9.65	2.25	9.95	2.29	10.12	2.32	10.30	2.34	10.71	2.38	11.18	2.42		
						23	792	2.26	9.42	2.30	9.73	2.35	9.91	2.37	10.10	2.39	10.52	2.44	11.01	2.48		
						25	792	2.31	9.19	2.36	9.52	2.41	9.71	2.43	9.91	2.45	10.35	2.49	10.85	2.53		
						27	792	2.37	8.98	2.42	9.33	2.47	9.52	2.49	9.73	2.51	10.18	2.55	10.70	2.59		
						29	792	2.43	8.79	2.48	9.14	2.53	9.34	2.55	9.56	2.57	10.03	2.61	10.56	2.65		
						31	792	2.50	8.60	2.54	8.97	2.59	9.18	2.61	9.40	2.63	9.89	2.67	10.44	2.71		
						33	792	2.56	8.43	2.61	8.82	2.65	9.03	2.67	9.26	2.69	9.77	2.74	10.33	2.78		
						35	792	2.62	8.27	2.67	8.67	2.71	8.96	2.73	9.13	2.76	9.65	2.80	10.23	2.84		
						37	792	2.69	8.12	2.74	8.54	2.78	8.77	2.80	9.02	2.82	9.55	2.86	10.14	2.90		
						39	792	2.76	7.98	2.80	8.42	2.85	8.66	2.87	8.91	2.89	9.46	2.93	10.07	2.97		
42	792	2.86	7.80	2.91	8.26	2.95	8.51	2.97	8.78	2.99	9.35	3.04	9.98	3.07								
44	792	2.93	7.70	2.98	8.17	3.02	8.43	3.04	8.70	3.07	9.29	3.11	9.94	3.14								
46	792	3.01	7.60	3.05	8.09	3.10	8.36	3.12	8.64	3.14	9.25	3.18	9.91	3.22								

# 12. Capacity Table

## 12-5. AJ070MCJ4EH/EU

### COOLING

Combination (Capacity Index)				Combination (Total)	Combination (%)	Outdoor Temperature (°C, DB)	Indoor Temperature (°C, WB)													
							14		16		18		19		20		22		24	
							TC(kW)	PI(kW)	TC(kW)	PI(kW)	TC(kW)	PI(kW)	TC(kW)	PI(kW)	TC(kW)	PI(kW)	TC(kW)	PI(kW)	TC(kW)	PI(kW)
2000	5000	5000		12000	120%	10	787	1.91	11.09	1.96	11.30	2.01	11.43	2.03	11.57	2.05	11.90	2.09	12.28	2.14
						12	787	1.96	10.79	2.01	11.02	2.05	11.15	2.08	11.30	2.10	11.64	2.14	12.04	2.18
						14	787	2.01	10.50	2.06	10.74	2.10	10.89	2.13	11.04	2.15	11.40	2.19	11.81	2.23
						16	787	2.06	10.23	2.11	10.48	2.15	10.63	2.18	10.80	2.20	11.17	2.24	11.59	2.28
						18	787	2.11	9.96	2.16	10.23	2.21	10.39	2.23	10.56	2.25	10.95	2.29	11.39	2.33
						20	787	2.17	9.71	2.21	10.00	2.26	10.16	2.28	10.34	2.30	10.74	2.35	11.20	2.39
						21	787	2.19	9.59	2.24	9.88	2.29	10.05	2.31	10.23	2.33	10.64	2.37	11.11	2.41
						23	787	2.25	9.35	2.30	9.66	2.34	9.84	2.36	10.03	2.39	10.45	2.43	10.93	2.47
						25	787	2.31	9.13	2.35	9.46	2.40	9.64	2.42	9.84	2.44	10.28	2.48	10.77	2.52
						27	787	2.36	8.92	2.41	9.26	2.46	9.46	2.48	9.66	2.50	10.12	2.54	10.63	2.58
						29	787	2.43	8.73	2.47	9.08	2.52	9.28	2.54	9.50	2.56	9.96	2.60	10.49	2.64
						31	787	2.49	8.54	2.53	8.91	2.58	9.12	2.60	9.34	2.62	9.83	2.66	10.37	2.70
						33	787	2.55	8.37	2.60	8.76	2.64	8.97	2.66	9.20	2.68	9.70	2.73	10.26	2.76
						35	787	2.61	8.21	2.66	8.61	2.71	8.90	2.72	9.07	2.75	9.59	2.79	10.16	2.83
						37	787	2.68	8.06	2.73	8.48	2.77	8.71	2.79	8.95	2.81	9.49	2.85	10.07	2.89
						39	787	2.75	7.93	2.79	8.36	2.84	8.60	2.86	8.85	2.88	9.40	2.92	10.00	2.96
42	787	2.85	7.75	2.90	8.20	2.94	8.45	2.96	8.72	2.98	9.29	3.02	9.91	3.06						
44	787	2.92	7.65	2.97	8.12	3.01	8.37	3.03	8.64	3.05	9.23	3.09	9.87	3.13						
46	787	3.00	7.55	3.04	8.04	3.08	8.30	3.11	8.58	3.13	9.18	3.17	9.84	3.20						
2000	5000	6800		13800	138%	10	10.41	1.99	10.82	2.04	11.24	2.08	11.45	2.10	11.66	2.12	12.08	2.16	12.52	2.21
						12	10.23	2.05	10.64	2.09	11.06	2.13	11.27	2.15	11.48	2.17	11.91	2.22	12.34	2.26
						14	10.05	2.10	10.46	2.14	10.88	2.19	11.09	2.21	11.30	2.23	11.73	2.27	12.16	2.32
						16	9.87	2.16	10.28	2.20	10.70	2.24	10.91	2.26	11.12	2.29	11.55	2.33	11.99	2.37
						18	9.69	2.21	10.10	2.26	10.52	2.30	10.73	2.32	10.95	2.34	11.38	2.39	11.81	2.43
						20	9.51	2.27	9.93	2.31	10.34	2.36	10.56	2.38	10.77	2.40	11.20	2.45	11.64	2.49
						21	9.42	2.30	9.84	2.34	10.26	2.39	10.47	2.41	10.68	2.43	11.11	2.47	11.55	2.52
						23	9.24	2.36	9.66	2.40	10.08	2.45	10.29	2.47	10.51	2.49	10.94	2.53	11.38	2.58
						25	9.07	2.42	9.48	2.46	9.90	2.51	10.12	2.53	10.33	2.55	10.76	2.60	11.20	2.64
						27	8.89	2.48	9.31	2.52	9.73	2.57	9.94	2.59	10.16	2.61	10.59	2.66	11.03	2.70
						29	8.71	2.54	9.13	2.58	9.55	2.63	9.77	2.65	9.98	2.68	10.42	2.72	10.86	2.77
						31	8.54	2.60	8.95	2.65	9.38	2.69	9.59	2.72	9.81	2.74	10.24	2.78	10.68	2.83
						33	8.36	2.67	8.78	2.71	9.20	2.76	9.42	2.78	9.63	2.80	10.07	2.85	10.51	2.89
						35	8.18	2.73	8.60	2.78	9.03	2.82	9.26	2.84	9.46	2.87	9.90	2.92	10.34	2.96
						37	8.01	2.80	8.43	2.84	8.85	2.89	9.07	2.91	9.29	2.94	9.72	2.98	10.17	3.03
						39	784	2.86	8.26	2.91	8.68	2.96	8.90	2.98	9.11	3.00	9.55	3.05	10.00	3.10
42	757	2.97	8.00	3.01	8.42	3.06	8.64	3.08	8.86	3.11	9.30	3.15	9.74	3.20						
44	740	3.03	7.82	3.08	8.25	3.13	8.47	3.15	8.69	3.18	9.13	3.22	9.57	3.27						
46	723	3.11	7.65	3.15	8.08	3.20	8.30	3.22	8.52	3.25	8.96	3.30	9.40	3.34						

# 12. Capacity Table

## 12-7. AJ100MCJ5EH/EU

### COOLING

Combination (Capacity Index)				Combination (Total)	Combination (%)	Outdoor Temperature (°C, DB)	Indoor Temperature (°C, WB)															
							14		16		18		19		20		22		24			
							TC(kW)	PI(kW)	TC(kW)	PI(kW)	TC(kW)	PI(kW)	TC(kW)	PI(kW)	TC(kW)	PI(kW)	TC(kW)	PI(kW)	TC(kW)	PI(kW)		
2000	6800	6800		15600	156%	10	11.02	2.01	11.45	2.05	11.89	2.09	12.11	2.11	12.34	2.14	12.79	2.18	13.25	2.22		
						12	10.83	2.06	11.26	2.10	11.70	2.15	11.92	2.17	12.15	2.19	12.60	2.23	13.06	2.28		
						14	10.64	2.12	11.07	2.16	11.51	2.20	11.74	2.22	11.96	2.25	12.41	2.29	12.87	2.33		
						16	10.45	2.17	10.88	2.21	11.32	2.26	11.55	2.28	11.77	2.30	12.23	2.35	12.69	2.39		
						18	10.26	2.23	10.69	2.27	11.14	2.32	11.36	2.34	11.58	2.36	12.04	2.40	12.50	2.45		
						20	10.07	2.29	10.50	2.33	10.95	2.37	11.17	2.40	11.40	2.42	11.85	2.46	12.32	2.51		
						21	9.97	2.31	10.41	2.36	10.85	2.40	11.08	2.43	11.30	2.45	11.76	2.49	12.22	2.54		
						23	9.78	2.37	10.22	2.42	10.67	2.46	10.89	2.49	11.12	2.51	11.58	2.55	12.04	2.60		
						25	9.60	2.43	10.03	2.48	10.48	2.52	10.71	2.55	10.93	2.57	11.39	2.61	11.86	2.66		
						27	9.41	2.50	9.85	2.54	10.29	2.59	10.52	2.61	10.75	2.63	11.21	2.68	11.67	2.72		
						29	9.22	2.56	9.66	2.60	10.11	2.65	10.33	2.67	10.56	2.69	11.02	2.74	11.49	2.79		
						31	9.03	2.62	9.48	2.67	9.92	2.71	10.15	2.74	10.38	2.76	10.84	2.80	11.31	2.85		
						33	8.85	2.69	9.29	2.73	9.74	2.78	9.97	2.80	10.19	2.82	10.66	2.87	11.12	2.92		
						35	8.66	2.75	9.11	2.80	9.55	2.84	9.80	2.86	10.01	2.89	10.47	2.94	10.94	2.98		
						37	8.48	2.82	8.92	2.86	9.37	2.91	9.60	2.93	9.83	2.96	10.29	3.00	10.76	3.05		
						39	8.29	2.88	8.74	2.93	9.19	2.98	9.42	3.00	9.65	3.02	10.11	3.07	10.58	3.12		
42	8.02	2.99	8.46	3.03	8.91	3.08	9.14	3.10	9.37	3.13	9.84	3.18	10.31	3.22								
44	7.83	3.06	8.28	3.10	8.73	3.15	8.96	3.18	9.19	3.20	9.66	3.25	10.13	3.29								
46	7.65	3.13	8.10	3.17	8.55	3.22	8.78	3.25	9.01	3.27	9.48	3.32	9.95	3.37								
2500	2500	2500		7500	75%	10	6.63	1.58	9.35	1.62	9.53	1.66	9.63	1.68	9.75	1.70	10.02	1.73	10.34	1.77		
						12	6.63	1.62	9.10	1.66	9.29	1.70	9.40	1.72	9.52	1.74	9.81	1.77	10.14	1.81		
						14	6.63	1.66	8.85	1.70	9.05	1.74	9.17	1.76	9.30	1.78	9.60	1.81	9.95	1.85		
						16	6.63	1.70	8.62	1.74	8.83	1.78	8.96	1.80	9.10	1.82	9.41	1.85	9.77	1.89		
						18	6.63	1.75	8.39	1.79	8.62	1.82	8.76	1.84	8.90	1.86	9.22	1.90	9.60	1.93		
						20	6.63	1.79	8.18	1.83	8.42	1.87	8.56	1.89	8.71	1.90	9.05	1.94	9.44	1.97		
						21	6.63	1.81	8.08	1.85	8.33	1.89	8.47	1.91	8.62	1.93	8.97	1.96	9.36	2.00		
						23	6.63	1.86	7.88	1.90	8.14	1.94	8.29	1.96	8.45	1.97	8.81	2.01	9.21	2.04		
						25	6.63	1.91	7.70	1.95	7.97	1.98	8.12	2.00	8.29	2.02	8.66	2.05	9.08	2.09		
						27	6.63	1.96	7.52	1.99	7.81	2.03	7.97	2.05	8.14	2.07	8.52	2.10	8.95	2.14		
						29	6.63	2.01	7.35	2.04	7.65	2.08	7.82	2.10	8.00	2.12	8.40	2.15	8.84	2.19		
						31	6.63	2.06	7.20	2.10	7.51	2.13	7.69	2.15	7.87	2.17	8.28	2.20	8.74	2.24		
						33	6.63	2.11	7.05	2.15	7.38	2.18	7.56	2.20	7.75	2.22	8.17	2.25	8.64	2.29		
						35	6.63	2.16	6.92	2.20	7.26	2.24	7.50	2.25	7.64	2.27	8.08	2.31	8.56	2.34		
						37	6.63	2.22	6.79	2.26	7.15	2.29	7.34	2.31	7.55	2.33	7.99	2.36	8.49	2.39		
						39	6.63	2.27	6.68	2.31	7.05	2.35	7.25	2.37	7.46	2.38	7.92	2.42	8.43	2.45		
42	6.63	2.36	6.53	2.40	6.91	2.43	7.12	2.45	7.35	2.47	7.83	2.50	8.35	2.53								
44	6.63	2.42	6.44	2.46	6.84	2.49	7.06	2.51	7.28	2.53	7.78	2.56	8.32	2.59								
46	6.63	2.48	6.37	2.52	6.78	2.55	7.00	2.57	7.23	2.59	7.74	2.62	8.29	2.65								

# 12. Capacity Table

## 12-7. AJ100MCJ5EH/EU

### COOLING

Combination (Capacity Index)				Combination (Total)	Combination (%)	Outdoor Temperature (°C, DB)	Indoor Temperature (°C, WB)															
							14		16		18		19		20		22		24			
							TC(kW)	PI(kW)	TC(kW)	PI(kW)	TC(kW)	PI(kW)	TC(kW)	PI(kW)	TC(kW)	PI(kW)	TC(kW)	PI(kW)	TC(kW)	PI(kW)		
2500	2500	3500		8500	85%	10	7.51	1.76	10.60	1.80	10.80	1.84	10.92	1.86	11.05	1.89	11.36	1.93	11.72	1.96		
						12	7.51	1.80	10.31	1.84	10.52	1.89	10.65	1.91	10.79	1.93	11.12	1.97	11.49	2.01		
						14	7.51	1.85	10.03	1.89	10.26	1.93	10.40	1.95	10.55	1.97	10.88	2.01	11.28	2.05		
						16	7.51	1.89	9.77	1.94	10.01	1.98	10.15	2.00	10.31	2.02	10.66	2.06	11.07	2.10		
						18	7.51	1.94	9.51	1.98	9.77	2.03	9.92	2.05	10.09	2.07	10.45	2.11	10.88	2.14		
						20	7.51	1.99	9.27	2.03	9.55	2.08	9.70	2.10	9.87	2.12	10.26	2.16	10.69	2.19		
						21	7.51	2.02	9.16	2.06	9.44	2.10	9.60	2.12	9.77	2.14	10.16	2.18	10.61	2.22		
						23	7.51	2.07	8.93	2.11	9.23	2.15	9.40	2.17	9.58	2.19	9.98	2.23	10.44	2.27		
						25	7.51	2.12	8.72	2.16	9.03	2.20	9.21	2.22	9.40	2.24	9.82	2.28	10.29	2.32		
						27	7.51	2.17	8.52	2.22	8.85	2.26	9.03	2.28	9.23	2.30	9.66	2.34	10.15	2.37		
						29	7.51	2.23	8.33	2.27	8.67	2.31	8.86	2.33	9.07	2.35	9.52	2.39	10.02	2.43		
						31	7.51	2.29	8.16	2.33	8.51	2.37	8.71	2.39	8.92	2.41	9.38	2.45	9.90	2.48		
						33	7.51	2.34	7.99	2.39	8.36	2.43	8.57	2.45	8.79	2.47	9.26	2.50	9.80	2.54		
						35	7.51	2.40	7.84	2.45	8.23	2.49	8.50	2.50	8.66	2.53	9.16	2.56	9.70	2.60		
						37	7.51	2.46	7.70	2.51	8.10	2.55	8.32	2.57	8.55	2.59	9.06	2.62	9.62	2.66		
						39	7.51	2.53	7.57	2.57	7.99	2.61	8.21	2.63	8.45	2.65	8.97	2.68	9.55	2.72		
42	7.51	2.62	7.40	2.66	7.84	2.70	8.07	2.72	8.33	2.74	8.87	2.78	9.47	2.82								
44	7.51	2.69	7.30	2.73	7.75	2.77	8.00	2.79	8.26	2.81	8.81	2.84	9.43	2.88								
46	7.51	2.75	7.21	2.79	7.68	2.83	7.93	2.85	8.20	2.87	8.77	2.91	9.40	2.95								
2500	2500	5000		10000	100%	10	7.82	1.83	11.03	1.88	11.24	1.92	11.37	1.95	11.51	1.97	11.83	2.01	12.21	2.05		
						12	7.82	1.88	10.73	1.93	10.96	1.97	11.09	1.99	11.24	2.01	11.57	2.06	11.97	2.10		
						14	7.82	1.93	10.44	1.97	10.68	2.02	10.82	2.04	10.98	2.06	11.33	2.10	11.74	2.14		
						16	7.82	1.98	10.17	2.02	10.42	2.07	10.57	2.09	10.73	2.11	11.10	2.15	11.53	2.19		
						18	7.82	2.03	9.91	2.07	10.18	2.12	10.33	2.14	10.50	2.16	10.88	2.20	11.32	2.24		
						20	7.82	2.08	9.65	2.12	9.94	2.17	10.10	2.19	10.28	2.21	10.68	2.25	11.13	2.29		
						21	7.82	2.10	9.53	2.15	9.83	2.19	9.99	2.21	10.18	2.24	10.58	2.28	11.04	2.32		
						23	7.82	2.16	9.30	2.20	9.61	2.25	9.78	2.27	9.97	2.29	10.39	2.33	10.87	2.37		
						25	7.82	2.21	9.08	2.26	9.40	2.30	9.59	2.32	9.78	2.34	10.22	2.38	10.71	2.42		
						27	7.82	2.27	8.87	2.31	9.21	2.36	9.40	2.38	9.61	2.40	10.06	2.44	10.57	2.48		
						29	7.82	2.33	8.68	2.37	9.03	2.41	9.23	2.44	9.44	2.46	9.91	2.50	10.43	2.54		
						31	7.82	2.39	8.49	2.43	8.86	2.47	9.07	2.49	9.29	2.52	9.77	2.56	10.31	2.59		
						33	7.82	2.45	8.32	2.49	8.71	2.53	8.92	2.55	9.15	2.58	9.65	2.61	10.20	2.65		
						35	7.82	2.51	8.16	2.55	8.56	2.60	8.85	2.61	9.02	2.64	9.53	2.68	10.10	2.71		
						37	7.82	2.57	8.02	2.62	8.43	2.66	8.66	2.68	8.90	2.70	9.43	2.74	10.02	2.78		
						39	7.82	2.64	7.88	2.68	8.31	2.72	8.55	2.74	8.80	2.76	9.34	2.80	9.94	2.84		
42	7.82	2.74	7.71	2.78	8.16	2.82	8.41	2.84	8.67	2.86	9.23	2.90	9.86	2.94								
44	7.82	2.80	7.60	2.85	8.07	2.89	8.33	2.91	8.60	2.93	9.18	2.97	9.82	3.01								
46	7.82	2.87	7.51	2.92	8.00	2.96	8.26	2.98	8.54	3.00	9.13	3.04	9.79	3.08								



# 12. Capacity Table

## 12-7. AJ100MCJ5EH/EU

### COOLING

Combination (Capacity Index)				Combination (Total)	Combination (%)	Outdoor Temperature (°C, DB)	Indoor Temperature (°C, WB)													
							14		16		18		19		20		22		24	
							TC(kW)	PI(kW)	TC(kW)	PI(kW)	TC(kW)	PI(kW)	TC(kW)	PI(kW)	TC(kW)	PI(kW)	TC(kW)	PI(kW)	TC(kW)	PI(kW)
2500	2500	6800		11800	118%	10	784	1.91	11.06	1.96	11.27	2.01	11.39	2.03	11.53	2.05	11.86	2.09	12.23	2.14
						12	784	1.96	10.76	2.01	10.98	2.05	11.11	2.08	11.26	2.10	11.60	2.14	11.99	2.18
						14	784	2.01	10.47	2.06	10.71	2.10	10.85	2.13	11.00	2.15	11.36	2.19	11.77	2.23
						16	784	2.06	10.19	2.11	10.45	2.15	10.60	2.18	10.76	2.20	11.13	2.24	11.55	2.28
						18	784	2.11	9.93	2.16	10.20	2.21	10.36	2.23	10.53	2.25	10.91	2.29	11.35	2.33
						20	784	2.17	9.68	2.21	9.96	2.26	10.13	2.28	10.30	2.30	10.70	2.35	11.16	2.39
						21	784	2.19	9.56	2.24	9.85	2.29	10.02	2.31	10.20	2.33	10.61	2.37	11.07	2.41
						23	784	2.25	9.32	2.30	9.63	2.34	9.81	2.36	10.00	2.39	10.42	2.43	10.90	2.47
						25	784	2.31	9.10	2.35	9.43	2.40	9.61	2.42	9.81	2.44	10.24	2.48	10.74	2.52
						27	784	2.36	8.89	2.41	9.23	2.46	9.42	2.48	9.63	2.50	10.08	2.54	10.59	2.58
						29	784	2.43	8.70	2.47	9.05	2.52	9.25	2.54	9.46	2.56	9.93	2.60	10.46	2.64
						31	784	2.49	8.51	2.53	8.88	2.58	9.09	2.60	9.31	2.62	9.79	2.66	10.33	2.70
						33	784	2.55	8.34	2.60	8.73	2.64	8.94	2.66	9.17	2.68	9.67	2.73	10.22	2.76
						35	784	2.61	8.18	2.66	8.58	2.71	8.87	2.72	9.04	2.75	9.55	2.79	10.13	2.83
						37	784	2.68	8.04	2.73	8.45	2.77	8.68	2.79	8.92	2.81	9.45	2.85	10.04	2.89
						39	784	2.75	7.90	2.79	8.33	2.84	8.57	2.86	8.82	2.88	9.37	2.92	9.97	2.96
42	784	2.85	7.72	2.90	8.18	2.94	8.43	2.96	8.69	2.98	9.26	3.02	9.88	3.06						
44	784	2.92	7.62	2.97	8.09	3.01	8.35	3.03	8.62	3.05	9.20	3.09	9.84	3.13						
46	784	3.00	7.53	3.04	8.01	3.08	8.28	3.11	8.55	3.13	9.15	3.17	9.81	3.20						
2500	3500	3500		9500	95%	10	775	1.83	10.93	1.87	11.14	1.92	11.26	1.94	11.40	1.96	11.72	2.00	12.10	2.04
						12	775	1.87	10.64	1.92	10.86	1.96	10.99	1.98	11.14	2.01	11.47	2.05	11.86	2.09
						14	775	1.92	10.35	1.97	10.59	2.01	10.73	2.03	10.88	2.05	11.23	2.09	11.63	2.13
						16	775	1.97	10.08	2.01	10.33	2.06	10.48	2.08	10.64	2.10	11.00	2.14	11.42	2.18
						18	775	2.02	9.82	2.06	10.08	2.11	10.24	2.13	10.41	2.15	10.79	2.19	11.22	2.23
						20	775	2.07	9.57	2.12	9.85	2.16	10.01	2.18	10.19	2.20	10.58	2.24	11.03	2.28
						21	775	2.10	9.45	2.14	9.74	2.18	9.90	2.21	10.08	2.23	10.49	2.27	10.94	2.31
						23	775	2.15	9.22	2.19	9.52	2.24	9.70	2.26	9.88	2.28	10.30	2.32	10.77	2.36
						25	775	2.20	9.00	2.25	9.32	2.29	9.50	2.31	9.70	2.33	10.13	2.37	10.62	2.41
						27	775	2.26	8.79	2.31	9.13	2.35	9.32	2.37	9.52	2.39	9.97	2.43	10.47	2.47
						29	775	2.32	8.60	2.36	8.95	2.41	9.15	2.43	9.36	2.45	9.82	2.49	10.34	2.53
						31	775	2.38	8.42	2.42	8.78	2.46	8.99	2.49	9.20	2.51	9.68	2.55	10.22	2.58
						33	775	2.44	8.25	2.48	8.63	2.52	8.84	2.55	9.07	2.57	9.56	2.60	10.11	2.64
						35	775	2.50	8.09	2.54	8.49	2.59	8.77	2.60	8.94	2.63	9.45	2.67	10.01	2.70
						37	775	2.56	7.95	2.61	8.36	2.65	8.58	2.67	8.82	2.69	9.35	2.73	9.93	2.77
						39	775	2.63	7.81	2.67	8.24	2.71	8.47	2.73	8.72	2.75	9.26	2.79	9.85	2.83
42	775	2.73	7.64	2.77	8.09	2.81	8.33	2.83	8.59	2.85	9.15	2.89	9.77	2.93						
44	775	2.79	7.53	2.84	8.00	2.88	8.25	2.90	8.52	2.92	9.09	2.96	9.73	2.99						
46	775	2.86	7.44	2.91	7.92	2.95	8.18	2.97	8.46	2.99	9.05	3.03	9.70	3.06						

# 12. Capacity Table

## 12-7. AJ100MCJ5EH/EU

### COOLING

Combination (Capacity Index)				Combination (Total)	Combination (%)	Outdoor Temperature (°C, DB)	Indoor Temperature (°C, WB)													
							14		16		18		19		20		22		24	
							TC(kW)	PI(kW)	TC(kW)	PI(kW)	TC(kW)	PI(kW)	TC(kW)	PI(kW)	TC(kW)	PI(kW)	TC(kW)	PI(kW)	TC(kW)	PI(kW)
2500	3500	5000		11000	110%	10	769	1.87	10.85	1.92	11.05	1.96	11.17	1.98	11.31	2.01	11.63	2.05	12.00	2.09
						12	769	1.92	10.55	1.96	10.77	2.01	10.90	2.03	11.05	2.05	11.38	2.09	11.76	2.14
						14	769	1.96	10.27	2.01	10.50	2.06	10.64	2.08	10.79	2.10	11.14	2.14	11.54	2.18
						16	769	2.01	10.00	2.06	10.25	2.11	10.39	2.13	10.55	2.15	10.91	2.19	11.33	2.23
						18	769	2.06	9.74	2.11	10.00	2.16	10.16	2.18	10.32	2.20	10.70	2.24	11.13	2.28
						20	769	2.12	9.49	2.16	9.77	2.21	9.93	2.23	10.11	2.25	10.50	2.29	10.95	2.33
						21	769	2.14	9.37	2.19	9.66	2.24	9.82	2.26	10.00	2.28	10.40	2.32	10.86	2.36
						23	769	2.20	9.14	2.25	9.45	2.29	9.62	2.31	9.80	2.33	10.22	2.37	10.69	2.41
						25	769	2.26	8.93	2.30	9.24	2.35	9.42	2.37	9.62	2.39	10.05	2.43	10.53	2.47
						27	769	2.31	8.72	2.36	9.06	2.40	9.24	2.42	9.44	2.45	9.89	2.49	10.39	2.53
						29	769	2.37	8.53	2.42	8.88	2.46	9.07	2.48	9.28	2.50	9.74	2.54	10.26	2.58
						31	769	2.43	8.35	2.48	8.71	2.52	8.92	2.54	9.13	2.56	9.61	2.60	10.14	2.64
						33	769	2.49	8.18	2.54	8.56	2.58	8.77	2.60	8.99	2.62	9.48	2.67	10.03	2.70
						35	769	2.56	8.03	2.60	8.42	2.65	8.70	2.66	8.87	2.69	9.37	2.73	9.93	2.77
						37	769	2.62	7.88	2.67	8.29	2.71	8.51	2.73	8.75	2.75	9.27	2.79	9.85	2.83
						39	769	2.69	7.75	2.73	8.17	2.78	8.41	2.80	8.65	2.82	9.19	2.86	9.78	2.89
42	769	2.79	7.58	2.83	8.02	2.88	8.26	2.90	8.52	2.92	9.08	2.96	9.69	3.00						
44	769	2.86	7.47	2.90	7.93	2.95	8.19	2.97	8.45	2.99	9.02	3.03	9.65	3.06						
46	769	2.93	7.38	2.97	7.86	3.02	8.12	3.04	8.39	3.06	8.98	3.10	9.62	3.13						
2500	3500	6800		12800	128%	10	8.01	1.95	11.29	2.00	11.51	2.05	11.64	2.07	11.78	2.10	12.11	2.14	12.50	2.18
						12	8.01	2.00	10.99	2.05	11.22	2.10	11.35	2.12	11.50	2.14	11.85	2.19	12.25	2.23
						14	8.01	2.05	10.69	2.10	10.94	2.15	11.08	2.17	11.24	2.19	11.60	2.24	12.02	2.28
						16	8.01	2.10	10.41	2.15	10.67	2.20	10.82	2.22	10.99	2.25	11.37	2.29	11.80	2.33
						18	8.01	2.16	10.14	2.21	10.42	2.25	10.58	2.28	10.75	2.30	11.14	2.34	11.59	2.38
						20	8.01	2.21	9.88	2.26	10.18	2.31	10.34	2.33	10.53	2.35	10.93	2.40	11.40	2.44
						21	8.01	2.24	9.76	2.29	10.06	2.34	10.23	2.36	10.42	2.38	10.83	2.42	11.31	2.47
						23	8.01	2.30	9.52	2.35	9.84	2.39	10.02	2.42	10.21	2.44	10.64	2.48	11.13	2.52
						25	8.01	2.36	9.30	2.40	9.63	2.45	9.81	2.47	10.02	2.50	10.46	2.54	10.97	2.58
						27	8.01	2.42	9.08	2.46	9.43	2.51	9.63	2.53	9.83	2.56	10.30	2.60	10.82	2.64
						29	8.01	2.48	8.88	2.53	9.25	2.57	9.45	2.59	9.67	2.62	10.14	2.66	10.68	2.70
						31	8.01	2.54	8.70	2.59	9.07	2.63	9.28	2.66	9.51	2.68	10.00	2.72	10.55	2.76
						33	8.01	2.61	8.52	2.65	8.91	2.70	9.13	2.72	9.37	2.74	9.87	2.79	10.44	2.83
						35	8.01	2.67	8.36	2.72	8.77	2.76	9.06	2.78	9.23	2.81	9.76	2.85	10.34	2.89
						37	8.01	2.74	8.21	2.79	8.63	2.83	8.87	2.85	9.12	2.88	9.66	2.92	10.25	2.96
						39	8.01	2.81	8.07	2.86	8.51	2.90	8.75	2.92	9.01	2.94	9.57	2.99	10.18	3.03
42	8.01	2.91	7.89	2.96	8.35	3.01	8.61	3.03	8.87	3.05	9.45	3.09	10.09	3.13						
44	8.01	2.99	7.78	3.03	8.26	3.08	8.52	3.10	8.80	3.12	9.39	3.16	10.05	3.20						
46	8.01	3.06	7.69	3.11	8.18	3.15	8.45	3.17	8.74	3.19	9.35	3.24	10.02	3.28						

# 12. Capacity Table

## 12-7. AJ100MCJ5EH/EU

### COOLING

Combination (Capacity Index)				Combination (Total)	Combination (%)	Outdoor Temperature (°C, DB)	Indoor Temperature (°C, WB)															
							14		16		18		19		20		22		24			
							TC(kW)	PI(kW)	TC(kW)	PI(kW)	TC(kW)	PI(kW)	TC(kW)	PI(kW)	TC(kW)	PI(kW)	TC(kW)	PI(kW)	TC(kW)	PI(kW)		
2500	5000	5000		12500	125%	10	795	1.95	11.22	2.00	11.43	2.04	11.56	2.07	11.70	2.09	12.03	2.13	12.41	2.18		
						12	795	1.99	10.91	2.04	11.14	2.09	11.28	2.11	11.43	2.14	11.77	2.18	12.17	2.22		
						14	795	2.05	10.62	2.09	10.86	2.14	11.01	2.16	11.17	2.19	11.52	2.23	11.94	2.27		
						16	795	2.10	10.34	2.15	10.60	2.19	10.75	2.22	10.92	2.24	11.29	2.28	11.72	2.32		
						18	795	2.15	10.07	2.20	10.35	2.25	10.51	2.27	10.68	2.29	11.07	2.33	11.52	2.38		
						20	795	2.21	9.82	2.25	10.11	2.30	10.27	2.32	10.46	2.34	10.86	2.39	11.32	2.43		
						21	795	2.23	9.70	2.28	9.99	2.33	10.16	2.35	10.35	2.37	10.76	2.42	11.23	2.46		
						23	795	2.29	9.46	2.34	9.77	2.38	9.95	2.41	10.14	2.43	10.57	2.47	11.06	2.51		
						25	795	2.35	9.23	2.40	9.56	2.44	9.75	2.46	9.95	2.49	10.39	2.53	10.89	2.57		
						27	795	2.41	9.02	2.46	9.37	2.50	9.56	2.52	9.77	2.55	10.23	2.59	10.75	2.63		
						29	795	2.47	8.82	2.52	9.18	2.56	9.39	2.59	9.60	2.61	10.08	2.65	10.61	2.69		
						31	795	2.53	8.64	2.58	9.01	2.63	9.22	2.65	9.45	2.67	9.94	2.71	10.48	2.75		
						33	795	2.60	8.46	2.64	8.86	2.69	9.07	2.71	9.30	2.73	9.81	2.78	10.37	2.82		
						35	795	2.66	8.30	2.71	8.71	2.75	9.00	2.77	9.17	2.80	9.69	2.84	10.27	2.88		
						37	795	2.73	8.15	2.78	8.58	2.82	8.81	2.84	9.06	2.87	9.59	2.91	10.19	2.95		
						39	795	2.80	8.02	2.85	8.46	2.89	8.70	2.91	8.95	2.93	9.50	2.97	10.11	3.01		
42	795	2.90	7.84	2.95	8.30	3.00	8.55	3.02	8.82	3.04	9.39	3.08	10.02	3.12								
44	795	2.98	7.73	3.02	8.21	3.07	8.47	3.09	8.74	3.11	9.33	3.15	9.98	3.19								
46	795	3.05	7.64	3.10	8.13	3.14	8.40	3.16	8.68	3.18	9.29	3.22	9.95	3.26								
2500	5000	6800		14300	143%	10	1052	1.92	10.94	1.96	11.36	2.00	11.57	2.02	11.78	2.05	12.22	2.09	12.65	2.13		
						12	1034	1.97	10.76	2.02	11.18	2.06	11.39	2.08	11.60	2.10	12.04	2.14	12.47	2.18		
						14	1016	2.03	10.57	2.07	11.00	2.11	11.21	2.13	11.42	2.15	11.86	2.19	12.30	2.23		
						16	998	2.08	10.39	2.12	10.82	2.16	11.03	2.18	11.24	2.21	11.68	2.25	12.12	2.29		
						18	980	2.13	10.21	2.18	10.64	2.22	10.85	2.24	11.06	2.26	11.50	2.30	11.94	2.34		
						20	962	2.19	10.03	2.23	10.46	2.27	10.67	2.30	10.89	2.32	11.32	2.36	11.76	2.40		
						21	952	2.22	9.94	2.26	10.37	2.30	10.58	2.32	10.80	2.34	11.23	2.39	11.68	2.43		
						23	934	2.27	9.76	2.32	10.19	2.36	10.40	2.38	10.62	2.40	11.06	2.45	11.50	2.49		
						25	917	2.33	9.58	2.37	10.01	2.42	10.23	2.44	10.44	2.46	10.88	2.50	11.32	2.55		
						27	899	2.39	9.41	2.43	9.83	2.48	10.05	2.50	10.26	2.52	10.70	2.56	11.15	2.61		
						29	881	2.45	9.23	2.49	9.65	2.54	9.87	2.56	10.09	2.58	10.53	2.62	10.97	2.67		
						31	863	2.51	9.05	2.55	9.48	2.60	9.69	2.62	9.91	2.64	10.35	2.69	10.80	2.73		
						33	845	2.57	8.87	2.62	9.30	2.66	9.52	2.68	9.74	2.70	10.18	2.75	10.63	2.79		
						35	827	2.63	8.70	2.68	9.13	2.72	9.36	2.74	9.56	2.77	10.00	2.81	10.45	2.86		
						37	810	2.70	8.52	2.74	8.95	2.79	9.17	2.81	9.39	2.83	9.83	2.88	10.28	2.92		
						39	792	2.76	8.34	2.81	8.78	2.85	8.99	2.88	9.21	2.90	9.66	2.94	10.11	2.99		
42	766	2.86	8.08	2.91	8.51	2.95	8.73	2.97	8.95	3.00	9.40	3.04	9.85	3.09								
44	748	2.93	7.91	2.97	8.34	3.02	8.56	3.04	8.78	3.06	9.23	3.11	9.68	3.16								
46	731	3.00	7.73	3.04	8.17	3.09	8.39	3.11	8.61	3.13	9.05	3.18	9.51	3.23								

# 12. Capacity Table

## 12-7. AJ100MCJ5EH/EU

### COOLING

Combination (Capacity Index)			Combination (Total)	Combination (%)	Outdoor Temperature (°C, DB)	Indoor Temperature (°C, WB)													
						14		16		18		19		20		22		24	
						TC(kW)	PI(kW)	TC(kW)	PI(kW)	TC(kW)	PI(kW)	TC(kW)	PI(kW)	TC(kW)	PI(kW)	TC(kW)	PI(kW)	TC(kW)	PI(kW)
2500	6800	6800	16100	161%	10	11.02	2.01	11.45	2.05	11.89	2.09	12.11	2.11	12.34	2.14	12.79	2.18	13.25	2.22
					12	10.83	2.06	11.26	2.10	11.70	2.15	11.92	2.17	12.15	2.19	12.60	2.23	13.06	2.28
					14	10.64	2.12	11.07	2.16	11.51	2.20	11.74	2.22	11.96	2.25	12.41	2.29	12.87	2.33
					16	10.45	2.17	10.88	2.21	11.32	2.26	11.55	2.28	11.77	2.30	12.23	2.35	12.69	2.39
					18	10.26	2.23	10.69	2.27	11.14	2.32	11.36	2.34	11.58	2.36	12.04	2.40	12.50	2.45
					20	10.07	2.29	10.50	2.33	10.95	2.37	11.17	2.40	11.40	2.42	11.85	2.46	12.32	2.51
					21	9.97	2.31	10.41	2.36	10.85	2.40	11.08	2.43	11.30	2.45	11.76	2.49	12.22	2.54
					23	9.78	2.37	10.22	2.42	10.67	2.46	10.89	2.49	11.12	2.51	11.58	2.55	12.04	2.60
					25	9.60	2.43	10.03	2.48	10.48	2.52	10.71	2.55	10.93	2.57	11.39	2.61	11.86	2.66
					27	9.41	2.50	9.85	2.54	10.29	2.59	10.52	2.61	10.75	2.63	11.21	2.68	11.67	2.72
					29	9.22	2.56	9.66	2.60	10.11	2.65	10.33	2.67	10.56	2.69	11.02	2.74	11.49	2.79
					31	9.03	2.62	9.48	2.67	9.92	2.71	10.15	2.74	10.38	2.76	10.84	2.80	11.31	2.85
					33	8.85	2.69	9.29	2.73	9.74	2.78	9.97	2.80	10.19	2.82	10.66	2.87	11.12	2.92
					35	8.66	2.75	9.11	2.80	9.55	2.84	9.80	2.86	10.01	2.89	10.47	2.94	10.94	2.98
					37	8.48	2.82	8.92	2.86	9.37	2.91	9.60	2.93	9.83	2.96	10.29	3.00	10.76	3.05
					39	8.29	2.88	8.74	2.93	9.19	2.98	9.42	3.00	9.65	3.02	10.11	3.07	10.58	3.12
42	8.02	2.99	8.46	3.03	8.91	3.08	9.14	3.10	9.37	3.13	9.84	3.18	10.31	3.22					
44	7.83	3.06	8.28	3.10	8.73	3.15	8.96	3.18	9.19	3.20	9.66	3.25	10.13	3.29					
46	7.65	3.13	8.10	3.17	8.55	3.22	8.78	3.25	9.01	3.27	9.48	3.32	9.95	3.37					
3500	3500	3500	10500	105%	10	7.90	1.86	11.14	1.91	11.36	1.95	11.48	1.98	11.62	2.00	11.95	2.04	12.33	2.08
					12	7.90	1.91	10.84	1.96	11.07	2.00	11.20	2.02	11.35	2.04	11.69	2.09	12.09	2.13
					14	7.90	1.96	10.55	2.00	10.79	2.05	10.93	2.07	11.09	2.09	11.45	2.13	11.86	2.17
					16	7.90	2.01	10.27	2.05	10.53	2.10	10.68	2.12	10.84	2.14	11.22	2.18	11.64	2.22
					18	7.90	2.06	10.01	2.10	10.28	2.15	10.44	2.17	10.61	2.19	11.00	2.23	11.44	2.27
					20	7.90	2.11	9.75	2.16	10.04	2.20	10.21	2.22	10.39	2.24	10.79	2.28	11.25	2.32
					21	7.90	2.14	9.63	2.18	9.93	2.23	10.10	2.25	10.28	2.27	10.69	2.31	11.16	2.35
					23	7.90	2.19	9.40	2.24	9.71	2.28	9.88	2.30	10.08	2.32	10.50	2.36	10.98	2.40
					25	7.90	2.25	9.17	2.29	9.50	2.34	9.68	2.36	9.88	2.38	10.32	2.42	10.82	2.46
					27	7.90	2.30	8.96	2.35	9.31	2.39	9.50	2.41	9.70	2.44	10.16	2.48	10.67	2.52
					29	7.90	2.36	8.77	2.41	9.12	2.45	9.32	2.47	9.54	2.49	10.01	2.53	10.54	2.57
					31	7.90	2.42	8.58	2.47	8.95	2.51	9.16	2.53	9.38	2.55	9.87	2.59	10.41	2.63
					33	7.90	2.48	8.41	2.53	8.80	2.57	9.01	2.59	9.24	2.61	9.74	2.66	10.30	2.69
					35	7.90	2.55	8.25	2.59	8.65	2.64	8.94	2.65	9.11	2.68	9.63	2.72	10.20	2.76
					37	7.90	2.61	8.10	2.66	8.52	2.70	8.75	2.72	8.99	2.74	9.53	2.78	10.12	2.82
					39	7.90	2.68	7.96	2.72	8.40	2.76	8.64	2.79	8.89	2.81	9.44	2.85	10.05	2.88
42	7.90	2.78	7.78	2.82	8.24	2.87	8.49	2.89	8.76	2.91	9.33	2.95	9.96	2.98					
44	7.90	2.85	7.68	2.89	8.15	2.93	8.41	2.96	8.68	2.98	9.27	3.01	9.91	3.05					
46	7.90	2.92	7.59	2.96	8.08	3.00	8.34	3.03	8.62	3.05	9.22	3.08	9.88	3.12					

# 12. Capacity Table

## 12-7. AJ100MCJ5EH/EU

### COOLING

Combination (Capacity Index)				Combination (Total)	Combination (%)	Outdoor Temperature (°C, DB)	Indoor Temperature (°C, WB)													
							14		16		18		19		20		22		24	
							TC(kW)	PI(kW)	TC(kW)	PI(kW)	TC(kW)	PI(kW)	TC(kW)	PI(kW)	TC(kW)	PI(kW)	TC(kW)	PI(kW)	TC(kW)	PI(kW)
3500	3500	5000		12000	120%	10	787	190	11.11	195	11.32	2.00	11.44	2.02	11.58	2.04	11.91	2.09	12.29	2.13
						12	787	195	10.81	2.00	11.03	2.05	11.16	2.07	11.31	2.09	11.65	2.13	12.05	2.18
						14	787	2.00	10.52	2.05	10.76	2.09	10.90	2.12	11.05	2.14	11.41	2.18	11.82	2.22
						16	787	2.05	10.24	2.10	10.49	2.15	10.64	2.17	10.81	2.19	11.18	2.23	11.60	2.27
						18	787	2.10	9.97	2.20	10.24	2.20	10.40	2.22	10.57	2.24	10.96	2.28	11.40	2.32
						20	787	2.16	9.72	2.25	10.01	2.25	10.17	2.27	10.35	2.29	10.75	2.34	11.21	2.38
						21	787	2.18	9.60	2.23	9.89	2.28	10.06	2.30	10.24	2.32	10.65	2.36	11.12	2.40
						23	787	2.24	9.36	2.29	9.67	2.33	9.85	2.35	10.04	2.38	10.47	2.42	10.95	2.46
						25	787	2.30	9.14	2.34	9.47	2.39	9.65	2.41	9.85	2.43	10.29	2.47	10.79	2.52
						27	787	2.36	8.93	2.40	9.27	2.45	9.47	2.47	9.67	2.49	10.13	2.53	10.64	2.57
						29	787	2.42	8.74	2.46	9.09	2.51	9.29	2.53	9.51	2.55	9.98	2.59	10.50	2.63
						31	787	2.48	8.55	2.52	8.92	2.57	9.13	2.59	9.35	2.61	9.84	2.65	10.38	2.69
						33	787	2.54	8.38	2.59	8.77	2.63	8.98	2.65	9.21	2.67	9.71	2.72	10.27	2.75
						35	787	2.60	8.22	2.65	8.62	2.70	8.91	2.71	9.08	2.74	9.60	2.78	10.17	2.82
						37	787	2.67	8.07	2.72	8.49	2.76	8.72	2.78	8.96	2.80	9.50	2.84	10.08	2.88
						39	787	2.74	7.94	2.78	8.37	2.83	8.61	2.85	8.86	2.87	9.41	2.91	10.01	2.95
42	787	2.84	7.76	2.89	8.21	2.93	8.46	2.95	8.73	2.97	9.30	3.01	9.92	3.05						
44	787	2.91	7.65	2.96	8.13	3.00	8.38	3.02	8.65	3.04	9.24	3.08	9.88	3.12						
46	787	2.98	7.56	3.03	8.05	3.07	8.31	3.09	8.59	3.11	9.19	3.15	9.85	3.19						
3500	3500	6800		13800	138%	10	10.41	1.99	10.82	2.03	11.24	2.07	11.45	2.09	11.66	2.11	12.08	2.15	12.52	2.20
						12	10.23	2.04	10.64	2.08	11.06	2.12	11.27	2.15	11.48	2.17	11.91	2.21	12.34	2.25
						14	10.05	2.09	10.46	2.14	10.88	2.18	11.09	2.20	11.30	2.22	11.73	2.26	12.16	2.31
						16	9.87	2.15	10.28	2.19	10.70	2.23	10.91	2.26	11.12	2.28	11.55	2.32	11.99	2.36
						18	9.69	2.20	10.10	2.25	10.52	2.29	10.73	2.31	10.95	2.33	11.38	2.38	11.81	2.42
						20	9.51	2.26	9.93	2.31	10.34	2.35	10.56	2.37	10.77	2.39	11.20	2.44	11.64	2.48
						21	9.42	2.29	9.84	2.33	10.26	2.38	10.47	2.40	10.68	2.42	11.11	2.47	11.55	2.51
						23	9.24	2.35	9.66	2.39	10.08	2.44	10.29	2.46	10.51	2.48	10.94	2.53	11.38	2.57
						25	9.07	2.41	9.48	2.45	9.90	2.50	10.12	2.52	10.33	2.54	10.76	2.59	11.20	2.63
						27	8.89	2.47	9.31	2.51	9.73	2.56	9.94	2.58	10.16	2.60	10.59	2.65	11.03	2.69
						29	8.71	2.53	9.13	2.58	9.55	2.62	9.77	2.64	9.98	2.67	10.42	2.71	10.86	2.76
						31	8.54	2.59	8.95	2.64	9.38	2.68	9.59	2.71	9.81	2.73	10.24	2.77	10.68	2.82
						33	8.36	2.66	8.78	2.70	9.20	2.75	9.42	2.77	9.63	2.79	10.07	2.84	10.51	2.88
						35	8.18	2.72	8.60	2.77	9.03	2.81	9.26	2.83	9.46	2.86	9.90	2.90	10.34	2.95
						37	8.01	2.79	8.43	2.83	8.85	2.88	9.07	2.90	9.29	2.93	9.72	2.97	10.17	3.02
						39	7.84	2.85	8.26	2.90	8.68	2.95	8.90	2.97	9.11	2.99	9.55	3.04	10.00	3.09
42	7.57	2.96	8.00	3.00	8.42	3.05	8.64	3.07	8.86	3.10	9.30	3.14	9.74	3.19						
44	7.40	3.02	7.82	3.07	8.25	3.12	8.47	3.14	8.69	3.17	9.13	3.21	9.57	3.26						
46	7.23	3.09	7.65	3.14	8.08	3.19	8.30	3.21	8.52	3.24	8.96	3.28	9.40	3.33						

# 12. Capacity Table

## 12-7. AJ100MCJ5EH/EU

### COOLING

Combination (Capacity Index)			Combination (Total)	Combination (%)	Outdoor Temperature (°C, DB)	Indoor Temperature (°C, WB)													
						14		16		18		19		20		22		24	
						TC(kW)	PI(kW)	TC(kW)	PI(kW)	TC(kW)	PI(kW)	TC(kW)	PI(kW)	TC(kW)	PI(kW)	TC(kW)	PI(kW)	TC(kW)	PI(kW)
3500	5000	5000	13500	135%	10	10.36	1.98	10.76	2.02	11.18	2.06	11.38	2.08	11.59	2.11	12.02	2.15	12.45	2.19
					12	10.18	2.03	10.58	2.07	11.00	2.12	11.21	2.14	11.42	2.16	11.84	2.20	12.27	2.24
					14	10.00	2.09	10.40	2.13	10.82	2.17	11.03	2.19	11.24	2.21	11.67	2.26	12.10	2.30
					16	9.82	2.14	10.23	2.18	10.64	2.23	10.85	2.25	11.06	2.27	11.49	2.31	11.92	2.36
					18	9.64	2.20	10.05	2.24	10.47	2.28	10.68	2.30	10.89	2.33	11.32	2.37	11.75	2.41
					20	9.46	2.25	9.87	2.30	10.29	2.34	10.50	2.36	10.71	2.38	11.14	2.43	11.58	2.47
					21	9.37	2.28	9.78	2.33	10.20	2.37	10.41	2.39	10.62	2.41	11.05	2.46	11.49	2.50
					23	9.20	2.34	9.61	2.38	10.02	2.43	10.24	2.45	10.45	2.47	10.88	2.52	11.32	2.56
					25	9.02	2.40	9.43	2.44	9.85	2.49	10.06	2.51	10.27	2.53	10.71	2.58	11.14	2.62
					27	8.84	2.46	9.26	2.50	9.67	2.55	9.89	2.57	10.10	2.59	10.53	2.64	10.97	2.68
					29	8.67	2.52	9.08	2.57	9.50	2.61	9.71	2.63	9.93	2.66	10.36	2.70	10.80	2.75
					31	8.49	2.58	8.91	2.63	9.33	2.67	9.54	2.70	9.75	2.72	10.19	2.76	10.63	2.81
					33	8.32	2.65	8.73	2.69	9.15	2.74	9.37	2.76	9.58	2.78	10.01	2.83	10.46	2.87
					35	8.14	2.71	8.56	2.76	8.98	2.80	9.21	2.82	9.41	2.85	9.84	2.89	10.28	2.94
					37	7.97	2.78	8.38	2.82	8.81	2.87	9.02	2.89	9.24	2.92	9.67	2.96	10.11	3.01
					39	7.79	2.84	8.21	2.89	8.64	2.94	8.85	2.96	9.07	2.98	9.50	3.03	9.94	3.07
42	7.53	2.94	7.95	2.99	8.38	3.04	8.59	3.06	8.81	3.08	9.25	3.13	9.69	3.18					
44	7.36	3.01	7.78	3.06	8.21	3.11	8.42	3.13	8.64	3.15	9.08	3.20	9.52	3.25					
46	7.19	3.08	7.61	3.13	8.04	3.18	8.25	3.20	8.47	3.22	8.91	3.27	9.35	3.32					
3500	5000	6800	15300	153%	10	11.02	1.96	11.45	2.01	11.89	2.05	12.11	2.07	12.34	2.09	12.79	2.13	13.25	2.17
					12	10.83	2.02	11.26	2.06	11.70	2.10	11.92	2.12	12.15	2.14	12.60	2.19	13.06	2.23
					14	10.64	2.07	11.07	2.11	11.51	2.16	11.74	2.18	11.96	2.20	12.41	2.24	12.87	2.28
					16	10.45	2.13	10.88	2.17	11.32	2.21	11.55	2.23	11.77	2.25	12.23	2.30	12.69	2.34
					18	10.26	2.18	10.69	2.22	11.14	2.27	11.36	2.29	11.58	2.31	12.04	2.35	12.50	2.40
					20	10.07	2.24	10.50	2.28	10.95	2.32	11.17	2.35	11.40	2.37	11.85	2.41	12.32	2.45
					21	9.97	2.27	10.41	2.31	10.85	2.35	11.08	2.37	11.30	2.40	11.76	2.44	12.22	2.48
					23	9.78	2.32	10.22	2.37	10.67	2.41	10.89	2.43	11.12	2.46	11.58	2.50	12.04	2.54
					25	9.60	2.38	10.03	2.43	10.48	2.47	10.71	2.49	10.93	2.51	11.39	2.56	11.86	2.60
					27	9.41	2.44	9.85	2.49	10.29	2.53	10.52	2.55	10.75	2.58	11.21	2.62	11.67	2.66
					29	9.22	2.50	9.66	2.55	10.11	2.59	10.33	2.62	10.56	2.64	11.02	2.68	11.49	2.73
					31	9.03	2.57	9.48	2.61	9.92	2.66	10.15	2.68	10.38	2.70	10.84	2.75	11.31	2.79
					33	8.85	2.63	9.29	2.67	9.74	2.72	9.97	2.74	10.19	2.76	10.66	2.81	11.12	2.85
					35	8.66	2.69	9.11	2.74	9.55	2.78	9.80	2.80	10.01	2.83	10.47	2.87	10.94	2.92
					37	8.48	2.76	8.92	2.80	9.37	2.85	9.60	2.87	9.83	2.89	10.29	2.94	10.76	2.99
					39	8.29	2.82	8.74	2.87	9.19	2.92	9.42	2.94	9.65	2.96	10.11	3.01	10.58	3.05
42	8.02	2.92	8.46	2.97	8.91	3.02	9.14	3.04	9.37	3.06	9.84	3.11	10.31	3.16					
44	7.83	2.99	8.28	3.04	8.73	3.09	8.96	3.11	9.19	3.13	9.66	3.18	10.13	3.23					
46	7.65	3.06	8.10	3.11	8.55	3.16	8.78	3.18	9.01	3.20	9.48	3.25	9.95	3.30					

# 12. Capacity Table

## 12-7. AJ100MCJ5EH/EU

### COOLING

Combination (Capacity Index)				Combination (Total)	Combination (%)	Outdoor Temperature (°C, DB)	Indoor Temperature (°C, WB)															
							14		16		18		19		20		22		24			
							TC(kW)	PI(kW)	TC(kW)	PI(kW)	TC(kW)	PI(kW)	TC(kW)	PI(kW)	TC(kW)	PI(kW)	TC(kW)	PI(kW)	TC(kW)	PI(kW)		
3500	6800	6800		17100	171%	10	11.02	2.04	11.45	2.09	11.89	2.13	12.11	2.15	12.34	2.17	12.79	2.22	13.25	2.26		
						12	10.83	2.10	11.26	2.14	11.70	2.18	11.92	2.21	12.15	2.23	12.60	2.27	13.06	2.32		
						14	10.64	2.15	11.07	2.20	11.51	2.24	11.74	2.26	11.96	2.28	12.41	2.33	12.87	2.37		
						16	10.45	2.21	10.88	2.25	11.32	2.30	11.55	2.32	11.77	2.34	12.23	2.39	12.69	2.43		
						18	10.26	2.27	10.69	2.31	11.14	2.36	11.36	2.38	11.58	2.40	12.04	2.45	12.50	2.49		
						20	10.07	2.33	10.50	2.37	10.95	2.42	11.17	2.44	11.40	2.46	11.85	2.51	12.32	2.55		
						21	9.97	2.36	10.41	2.40	10.85	2.45	11.08	2.47	11.30	2.49	11.76	2.54	12.22	2.58		
						23	9.78	2.42	10.22	2.46	10.67	2.51	10.89	2.53	11.12	2.55	11.58	2.60	12.04	2.64		
						25	9.60	2.48	10.03	2.52	10.48	2.57	10.71	2.59	10.93	2.61	11.39	2.66	11.86	2.71		
						27	9.41	2.54	9.85	2.58	10.29	2.63	10.52	2.65	10.75	2.68	11.21	2.72	11.67	2.77		
						29	9.22	2.60	9.66	2.65	10.11	2.69	10.33	2.72	10.56	2.74	11.02	2.79	11.49	2.83		
						31	9.03	2.67	9.48	2.71	9.92	2.76	10.15	2.78	10.38	2.81	10.84	2.85	11.31	2.90		
						33	8.85	2.73	9.29	2.78	9.74	2.83	9.97	2.85	10.19	2.87	10.66	2.92	11.12	2.97		
						35	8.66	2.80	9.11	2.85	9.55	2.89	9.80	2.91	10.01	2.94	10.47	2.99	10.94	3.03		
						37	8.48	2.87	8.92	2.91	9.37	2.96	9.60	2.98	9.83	3.01	10.29	3.06	10.76	3.10		
						39	8.29	2.93	8.74	2.98	9.19	3.03	9.42	3.05	9.65	3.08	10.11	3.13	10.58	3.17		
42	8.02	3.04	8.46	3.09	8.91	3.14	9.14	3.16	9.37	3.18	9.84	3.23	10.31	3.28								
44	7.83	3.11	8.28	3.16	8.73	3.21	8.96	3.23	9.19	3.26	9.66	3.30	10.13	3.35								
46	7.65	3.18	8.10	3.23	8.55	3.28	8.78	3.30	9.01	3.33	9.48	3.38	9.95	3.43								
5000	5000	5000		15000	150%	10	11.02	1.96	11.45	2.00	11.89	2.04	12.11	2.06	12.34	2.08	12.79	2.12	13.25	2.17		
						12	10.83	2.01	11.26	2.05	11.70	2.09	11.92	2.12	12.15	2.14	12.60	2.18	13.06	2.22		
						14	10.64	2.06	11.07	2.11	11.51	2.15	11.74	2.17	11.96	2.19	12.41	2.23	12.87	2.27		
						16	10.45	2.12	10.88	2.16	11.32	2.20	11.55	2.22	11.77	2.25	12.23	2.29	12.69	2.33		
						18	10.26	2.17	10.69	2.22	11.14	2.26	11.36	2.28	11.58	2.30	12.04	2.34	12.50	2.39		
						20	10.07	2.23	10.50	2.27	10.95	2.32	11.17	2.34	11.40	2.36	11.85	2.40	12.32	2.45		
						21	9.97	2.26	10.41	2.30	10.85	2.34	11.08	2.37	11.30	2.39	11.76	2.43	12.22	2.47		
						23	9.78	2.32	10.22	2.36	10.67	2.40	10.89	2.42	11.12	2.45	11.58	2.49	12.04	2.53		
						25	9.60	2.37	10.03	2.42	10.48	2.46	10.71	2.48	10.93	2.51	11.39	2.55	11.86	2.59		
						27	9.41	2.43	9.85	2.48	10.29	2.52	10.52	2.54	10.75	2.57	11.21	2.61	11.67	2.65		
						29	9.22	2.49	9.66	2.54	10.11	2.58	10.33	2.61	10.56	2.63	11.02	2.67	11.49	2.72		
						31	9.03	2.56	9.48	2.60	9.92	2.65	10.15	2.67	10.38	2.69	10.84	2.74	11.31	2.78		
						33	8.85	2.62	9.29	2.66	9.74	2.71	9.97	2.73	10.19	2.75	10.66	2.80	11.12	2.84		
						35	8.66	2.68	9.11	2.73	9.55	2.77	9.80	2.79	10.01	2.82	10.47	2.86	10.94	2.91		
						37	8.48	2.75	8.92	2.79	9.37	2.84	9.60	2.86	9.83	2.88	10.29	2.93	10.76	2.98		
						39	8.29	2.81	8.74	2.86	9.19	2.90	9.42	2.93	9.65	2.95	10.11	3.00	10.58	3.04		
42	8.02	2.91	8.46	2.96	8.91	3.01	9.14	3.03	9.37	3.05	9.84	3.10	10.31	3.14								
44	7.83	2.98	8.28	3.03	8.73	3.07	8.96	3.10	9.19	3.12	9.66	3.17	10.13	3.21								
46	7.65	3.05	8.10	3.10	8.55	3.14	8.78	3.17	9.01	3.19	9.48	3.24	9.95	3.28								

# 12. Capacity Table

## 12-7. AJ100MCJ5EH/EU

### COOLING

Combination (Capacity Index)				Combination (Total)	Combination (%)	Outdoor Temperature (°C, DB)	Indoor Temperature (°C, WB)													
							14		16		18		19		20		22		24	
							TC(kW)	PI(kW)	TC(kW)	PI(kW)	TC(kW)	PI(kW)	TC(kW)	PI(kW)	TC(kW)	PI(kW)	TC(kW)	PI(kW)	TC(kW)	PI(kW)
5000	5000	6800		16800	168%	10	11.02	2.04	11.45	2.09	11.89	2.13	12.11	2.15	12.34	2.17	12.79	2.22	13.25	2.26
						12	10.83	2.10	11.26	2.14	11.70	2.18	11.92	2.21	12.15	2.23	12.60	2.27	13.06	2.32
						14	10.64	2.15	11.07	2.20	11.51	2.24	11.74	2.26	11.96	2.28	12.41	2.33	12.87	2.37
						16	10.45	2.21	10.88	2.25	11.32	2.30	11.55	2.32	11.77	2.34	12.23	2.39	12.69	2.43
						18	10.26	2.27	10.69	2.31	11.14	2.36	11.36	2.38	11.58	2.40	12.04	2.45	12.50	2.49
						20	10.07	2.33	10.50	2.37	10.95	2.42	11.17	2.44	11.40	2.46	11.85	2.51	12.32	2.55
						21	9.97	2.36	10.41	2.40	10.85	2.45	11.08	2.47	11.30	2.49	11.76	2.54	12.22	2.58
						23	9.78	2.42	10.22	2.46	10.67	2.51	10.89	2.53	11.12	2.55	11.58	2.60	12.04	2.64
						25	9.60	2.48	10.03	2.52	10.48	2.57	10.71	2.59	10.93	2.61	11.39	2.66	11.86	2.71
						27	9.41	2.54	9.85	2.58	10.29	2.63	10.52	2.65	10.75	2.68	11.21	2.72	11.67	2.77
						29	9.22	2.60	9.66	2.65	10.11	2.69	10.33	2.72	10.56	2.74	11.02	2.79	11.49	2.83
						31	9.03	2.67	9.48	2.71	9.92	2.76	10.15	2.78	10.38	2.81	10.84	2.85	11.31	2.90
						33	8.85	2.73	9.29	2.78	9.74	2.83	9.97	2.85	10.19	2.87	10.66	2.92	11.12	2.97
						35	8.66	2.80	9.11	2.85	9.55	2.89	9.80	2.91	10.01	2.94	10.47	2.99	10.94	3.03
						37	8.48	2.87	8.92	2.91	9.37	2.96	9.60	2.98	9.83	3.01	10.29	3.06	10.76	3.10
						39	8.29	2.93	8.74	2.98	9.19	3.03	9.42	3.05	9.65	3.08	10.11	3.13	10.58	3.17
42	8.02	3.04	8.46	3.09	8.91	3.14	9.14	3.16	9.37	3.18	9.84	3.23	10.31	3.28						
44	7.83	3.11	8.28	3.16	8.73	3.21	8.96	3.23	9.19	3.26	9.66	3.30	10.13	3.35						
46	7.65	3.18	8.10	3.23	8.55	3.28	8.78	3.30	9.01	3.33	9.48	3.38	9.95	3.43						
2000	2000	2000	2000	8000	80%	10	7.07	1.67	7.97	1.71	10.16	1.76	10.28	1.78	10.40	1.79	10.69	1.83	11.03	1.87
						12	7.07	1.71	7.70	1.76	9.90	1.80	10.02	1.82	10.16	1.84	10.46	1.87	10.82	1.91
						14	7.07	1.76	7.44	1.80	9.66	1.84	9.79	1.86	9.93	1.88	10.24	1.92	10.61	1.95
						16	7.07	1.80	7.19	1.84	9.42	1.88	9.56	1.90	9.70	1.92	10.04	1.96	10.42	2.00
						18	7.07	1.85	6.95	1.89	9.20	1.93	9.34	1.95	9.49	1.97	9.84	2.01	10.24	2.04
						20	7.07	1.89	6.73	1.94	8.99	1.98	9.13	2.00	9.29	2.01	9.65	2.05	10.06	2.09
						21	7.07	1.92	6.62	1.96	8.88	2.00	9.03	2.02	9.20	2.04	9.57	2.08	9.98	2.11
						23	7.07	1.97	6.41	2.01	8.69	2.05	8.84	2.07	9.02	2.09	9.40	2.12	9.83	2.16
						25	7.07	2.02	6.21	2.06	8.50	2.10	8.67	2.12	8.84	2.14	9.24	2.17	9.68	2.21
						27	7.07	2.07	6.02	2.11	8.33	2.15	8.50	2.17	8.68	2.19	9.09	2.22	9.55	2.26
						29	7.07	2.12	5.84	2.16	8.16	2.20	8.34	2.22	8.53	2.24	8.96	2.28	9.43	2.31
						31	7.07	2.18	5.68	2.22	8.01	2.26	8.20	2.27	8.40	2.29	8.83	2.33	9.32	2.36
						33	7.07	2.23	5.52	2.27	7.87	2.31	8.06	2.33	8.27	2.35	8.72	2.38	9.22	2.42
						35	7.07	2.29	5.38	2.33	7.74	2.37	7.90	2.38	8.15	2.40	8.62	2.44	9.13	2.47
						37	7.07	2.35	5.25	2.39	7.62	2.42	7.83	2.44	8.05	2.46	8.53	2.50	9.05	2.53
						39	7.07	2.40	5.13	2.44	7.52	2.48	7.73	2.50	7.96	2.52	8.45	2.56	8.99	2.59
42	7.07	2.50	4.97	2.54	7.38	2.57	7.60	2.59	7.84	2.61	8.35	2.65	8.91	2.68						
44	7.07	2.56	4.87	2.60	7.30	2.64	7.53	2.65	7.77	2.67	8.30	2.71	8.87	2.74						
46	7.07	2.62	4.79	2.66	7.23	2.70	7.46	2.72	7.72	2.74	8.25	2.77	8.85	2.80						



# 12. Capacity Table

## 12-7. AJ100MCJ5EH/EU

### COOLING

Combination (Capacity Index)				Combination (Total)	Combination (%)	Outdoor Temperature (°C, DB)	Indoor Temperature (°C, WB)															
							14		16		18		19		20		22		24			
							TC(kW)	PI(kW)	TC(kW)	PI(kW)	TC(kW)	PI(kW)	TC(kW)	PI(kW)	TC(kW)	PI(kW)	TC(kW)	PI(kW)	TC(kW)	PI(kW)		
2000	2000	2000	2500	8500	85%	10	751	1.77	10.60	1.82	10.80	1.86	10.92	1.88	11.05	1.90	11.36	1.94	11.72	1.98		
						12	751	1.81	10.31	1.86	10.52	1.90	10.65	1.92	10.79	1.94	11.12	1.98	11.49	2.02		
						14	751	1.86	10.03	1.91	10.26	1.95	10.40	1.97	10.55	1.99	10.88	2.03	11.28	2.07		
						16	751	1.91	9.77	1.95	10.01	1.99	10.15	2.02	10.31	2.04	10.66	2.08	11.07	2.11		
						18	751	1.96	9.51	2.00	9.77	2.04	9.92	2.06	10.09	2.08	10.45	2.12	10.88	2.16		
						20	751	2.01	9.27	2.05	9.55	2.09	9.70	2.11	9.87	2.13	10.26	2.17	10.69	2.21		
						21	751	2.03	9.16	2.08	9.44	2.12	9.60	2.14	9.77	2.16	10.16	2.20	10.61	2.24		
						23	751	2.08	8.93	2.13	9.23	2.17	9.40	2.19	9.58	2.21	9.98	2.25	10.44	2.29		
						25	751	2.14	8.72	2.18	9.03	2.22	9.21	2.24	9.40	2.26	9.82	2.30	10.29	2.34		
						27	751	2.19	8.52	2.23	8.85	2.28	9.03	2.30	9.23	2.32	9.66	2.36	10.15	2.39		
						29	751	2.25	8.33	2.29	8.67	2.33	8.86	2.35	9.07	2.37	9.52	2.41	10.02	2.45		
						31	751	2.30	8.16	2.35	8.51	2.39	8.71	2.41	8.92	2.43	9.38	2.47	9.90	2.50		
						33	751	2.36	7.99	2.41	8.36	2.45	8.57	2.47	8.79	2.49	9.26	2.52	9.80	2.56		
						35	751	2.42	7.84	2.46	8.23	2.51	8.50	2.52	8.66	2.55	9.16	2.58	9.70	2.62		
						37	751	2.48	7.70	2.53	8.10	2.57	8.32	2.59	8.55	2.61	9.06	2.64	9.62	2.68		
						39	751	2.55	7.57	2.59	7.99	2.63	8.21	2.65	8.45	2.67	8.97	2.71	9.55	2.74		
42	751	2.64	7.40	2.68	7.84	2.72	8.07	2.74	8.33	2.76	8.87	2.80	9.47	2.84								
44	751	2.71	7.30	2.75	7.75	2.79	8.00	2.81	8.26	2.83	8.81	2.87	9.43	2.90								
46	751	2.78	7.21	2.82	7.68	2.86	7.93	2.88	8.20	2.90	8.77	2.93	9.40	2.97								
2000	2000	2000	3500	9500	95%	10	776	1.84	10.95	1.89	11.15	1.93	11.28	1.95	11.42	1.98	11.73	2.02	12.11	2.06		
						12	776	1.89	10.65	1.93	10.87	1.98	11.00	2.00	11.15	2.02	11.48	2.06	11.87	2.10		
						14	776	1.93	10.36	1.98	10.60	2.03	10.74	2.05	10.89	2.07	11.24	2.11	11.65	2.15		
						16	776	1.98	10.09	2.03	10.34	2.07	10.49	2.10	10.65	2.12	11.01	2.16	11.44	2.20		
						18	776	2.03	9.83	2.08	10.10	2.12	10.25	2.15	10.42	2.17	10.80	2.21	11.23	2.25		
						20	776	2.09	9.58	2.13	9.86	2.18	10.02	2.20	10.20	2.22	10.60	2.26	11.05	2.30		
						21	776	2.11	9.46	2.16	9.75	2.20	9.92	2.22	10.10	2.24	10.50	2.29	10.96	2.32		
						23	776	2.17	9.23	2.21	9.53	2.26	9.71	2.28	9.90	2.30	10.31	2.34	10.79	2.38		
						25	776	2.22	9.01	2.27	9.33	2.31	9.51	2.33	9.71	2.35	10.14	2.39	10.63	2.43		
						27	776	2.28	8.80	2.32	9.14	2.37	9.33	2.39	9.53	2.41	9.98	2.45	10.48	2.49		
						29	776	2.34	8.61	2.38	8.96	2.42	9.16	2.45	9.37	2.47	9.83	2.51	10.35	2.54		
						31	776	2.40	8.43	2.44	8.79	2.48	9.00	2.50	9.22	2.52	9.69	2.56	10.23	2.60		
						33	776	2.46	8.26	2.50	8.64	2.54	8.85	2.56	9.08	2.59	9.57	2.62	10.12	2.66		
						35	776	2.52	8.10	2.56	8.50	2.61	8.78	2.62	8.95	2.65	9.46	2.69	10.02	2.72		
						37	776	2.58	7.95	2.63	8.37	2.67	8.59	2.69	8.83	2.71	9.36	2.75	9.94	2.79		
						39	776	2.65	7.82	2.69	8.25	2.73	8.48	2.75	8.73	2.77	9.27	2.81	9.87	2.85		
42	776	2.75	7.64	2.79	8.09	2.83	8.34	2.85	8.60	2.87	9.16	2.91	9.78	2.95								
44	776	2.82	7.54	2.86	8.01	2.90	8.26	2.92	8.53	2.94	9.10	2.98	9.74	3.02								
46	776	2.89	7.45	2.93	7.93	2.97	8.19	2.99	8.47	3.01	9.06	3.05	9.71	3.09								

# 12. Capacity Table

## 12-7. AJ100MCJ5EH/EU

### COOLING

Combination (Capacity Index)				Combination (Total)	Combination (%)	Outdoor Temperature (°C, DB)	Indoor Temperature (°C, WB)													
							14		16		18		19		20		22		24	
							TC(kW)	PI(kW)	TC(kW)	PI(kW)	TC(kW)	PI(kW)	TC(kW)	PI(kW)	TC(kW)	PI(kW)	TC(kW)	PI(kW)	TC(kW)	PI(kW)
2000	2000	2000	5000	11000	110%	10	768	1.89	10.83	1.94	11.04	1.98	11.16	2.01	11.30	2.03	11.61	2.07	11.99	2.11
						12	768	1.94	10.54	1.98	10.76	2.03	10.89	2.05	11.03	2.08	11.36	2.12	11.75	2.16
						14	768	1.99	10.26	2.03	10.49	2.08	10.63	2.10	10.78	2.12	11.13	2.17	11.53	2.21
						16	768	2.04	9.99	2.08	10.24	2.13	10.38	2.15	10.54	2.17	10.90	2.22	11.32	2.26
						18	768	2.09	9.73	2.14	9.99	2.18	10.14	2.20	10.31	2.22	10.69	2.27	11.12	2.31
						20	768	2.14	9.48	2.19	9.76	2.23	9.92	2.26	10.10	2.28	10.49	2.32	10.93	2.36
						21	768	2.17	9.36	2.22	9.65	2.26	9.81	2.28	9.99	2.30	10.39	2.35	10.84	2.39
						23	768	2.22	9.13	2.27	9.44	2.32	9.61	2.34	9.79	2.36	10.21	2.40	10.68	2.44
						25	768	2.28	8.92	2.33	9.23	2.37	9.41	2.39	9.61	2.42	10.04	2.46	10.52	2.50
						27	768	2.34	8.71	2.38	9.05	2.43	9.23	2.45	9.43	2.47	9.88	2.51	10.38	2.55
						29	768	2.40	8.52	2.44	8.87	2.49	9.06	2.51	9.27	2.53	9.73	2.57	10.24	2.61
						31	768	2.46	8.34	2.51	8.70	2.55	8.91	2.57	9.12	2.59	9.59	2.63	10.12	2.67
						33	768	2.52	8.17	2.57	8.55	2.61	8.76	2.63	8.98	2.65	9.47	2.70	10.02	2.73
						35	768	2.59	8.02	2.63	8.41	2.68	8.69	2.69	8.86	2.72	9.36	2.76	9.92	2.80
						37	768	2.65	7.87	2.70	8.28	2.74	8.51	2.76	8.74	2.78	9.26	2.82	9.84	2.86
						39	768	2.72	7.74	2.76	8.16	2.81	8.40	2.83	8.64	2.85	9.18	2.89	9.76	2.93
42	768	2.82	7.57	2.87	8.01	2.91	8.25	2.93	8.51	2.95	9.07	2.99	9.68	3.03						
44	768	2.89	7.46	2.94	7.92	2.98	8.18	3.00	8.44	3.02	9.01	3.06	9.64	3.10						
46	768	2.96	7.38	3.01	7.85	3.05	8.11	3.07	8.38	3.09	8.97	3.13	9.61	3.17						
2000	2000	2000	6800	12800	128%	10	8.02	1.97	11.32	2.02	11.53	2.06	11.66	2.09	11.81	2.11	12.14	2.16	12.52	2.20
						12	8.02	2.02	11.01	2.07	11.24	2.11	11.38	2.14	11.53	2.16	11.87	2.20	12.28	2.25
						14	8.02	2.07	10.72	2.12	10.96	2.16	11.11	2.19	11.27	2.21	11.63	2.25	12.05	2.30
						16	8.02	2.12	10.43	2.17	10.69	2.22	10.85	2.24	11.01	2.26	11.39	2.31	11.83	2.35
						18	8.02	2.17	10.16	2.22	10.44	2.27	10.60	2.29	10.77	2.32	11.17	2.36	11.62	2.40
						20	8.02	2.23	9.91	2.28	10.20	2.32	10.37	2.35	10.55	2.37	10.96	2.41	11.42	2.46
						21	8.02	2.26	9.78	2.31	10.08	2.35	10.25	2.38	10.44	2.40	10.86	2.44	11.33	2.48
						23	8.02	2.31	9.54	2.36	9.86	2.41	10.04	2.43	10.23	2.46	10.67	2.50	11.16	2.54
						25	8.02	2.37	9.32	2.42	9.65	2.47	9.84	2.49	10.04	2.51	10.49	2.56	10.99	2.60
						27	8.02	2.43	9.10	2.48	9.45	2.53	9.65	2.55	9.86	2.57	10.32	2.62	10.84	2.66
						29	8.02	2.50	8.90	2.54	9.27	2.59	9.47	2.61	9.69	2.64	10.17	2.68	10.70	2.72
						31	8.02	2.56	8.71	2.61	9.09	2.65	9.30	2.68	9.53	2.70	10.03	2.74	10.58	2.78
						33	8.02	2.62	8.54	2.67	8.93	2.72	9.15	2.74	9.39	2.76	9.90	2.81	10.46	2.85
						35	8.02	2.69	8.38	2.74	8.79	2.78	9.08	2.80	9.25	2.83	9.78	2.87	10.36	2.91
						37	8.02	2.76	8.23	2.81	8.65	2.85	8.89	2.87	9.14	2.90	9.68	2.94	10.28	2.98
						39	8.02	2.83	8.09	2.88	8.53	2.92	8.77	2.94	9.03	2.96	9.59	3.01	10.20	3.05
42	8.02	2.94	7.91	2.98	8.37	3.03	8.63	3.05	8.89	3.07	9.47	3.11	10.11	3.15						
44	8.02	3.01	7.80	3.06	8.28	3.10	8.54	3.12	8.82	3.14	9.42	3.19	10.07	3.23						
46	8.02	3.08	7.71	3.13	8.20	3.17	8.47	3.20	8.76	3.22	9.37	3.26	10.04	3.30						

# 12. Capacity Table

## 12-7. AJ100MCJ5EH/EU

### COOLING

Combination (Capacity Index)				Combination (Total)	Combination (%)	Outdoor Temperature (°C, DB)	Indoor Temperature (°C, WB)													
							14		16		18		19		20		22		24	
							TC(kW)	PI(kW)	TC(kW)	PI(kW)	TC(kW)	PI(kW)	TC(kW)	PI(kW)	TC(kW)	PI(kW)	TC(kW)	PI(kW)	TC(kW)	PI(kW)
2000	2000	2500	2500	9000	90%	10	7.69	1.84	10.85	1.89	11.05	1.93	11.17	1.95	11.31	1.98	11.63	2.02	12.00	2.06
						12	7.69	1.89	10.55	1.93	10.77	1.98	10.90	2.00	11.05	2.02	11.38	2.06	11.76	2.10
						14	7.69	1.93	10.27	1.98	10.50	2.03	10.64	2.05	10.79	2.07	11.14	2.11	11.54	2.15
						16	7.69	1.98	10.00	2.03	10.25	2.07	10.39	2.10	10.55	2.12	10.91	2.16	11.33	2.20
						18	7.69	2.03	9.74	2.08	10.00	2.12	10.16	2.15	10.32	2.17	10.70	2.21	11.13	2.25
						20	7.69	2.09	9.49	2.13	9.77	2.18	9.93	2.20	10.11	2.22	10.50	2.26	10.95	2.30
						21	7.69	2.11	9.37	2.16	9.66	2.20	9.82	2.22	10.00	2.24	10.40	2.29	10.86	2.32
						23	7.69	2.17	9.14	2.21	9.45	2.26	9.62	2.28	9.80	2.30	10.22	2.34	10.69	2.38
						25	7.69	2.22	8.93	2.27	9.24	2.31	9.42	2.33	9.62	2.35	10.05	2.39	10.53	2.43
						27	7.69	2.28	8.72	2.32	9.06	2.37	9.24	2.39	9.44	2.41	9.89	2.45	10.39	2.49
						29	7.69	2.34	8.53	2.38	8.88	2.42	9.07	2.45	9.28	2.47	9.74	2.51	10.26	2.54
						31	7.69	2.40	8.35	2.44	8.71	2.48	8.92	2.50	9.13	2.52	9.61	2.56	10.14	2.60
						33	7.69	2.46	8.18	2.50	8.56	2.54	8.77	2.56	8.99	2.59	9.48	2.62	10.03	2.66
						35	7.69	2.52	8.03	2.56	8.42	2.61	8.70	2.62	8.87	2.65	9.37	2.69	9.93	2.72
						37	7.69	2.58	7.88	2.63	8.29	2.67	8.51	2.69	8.75	2.71	9.27	2.75	9.85	2.79
						39	7.69	2.65	7.75	2.69	8.17	2.73	8.41	2.75	8.65	2.77	9.19	2.81	9.78	2.85
42	7.69	2.75	7.58	2.79	8.02	2.83	8.26	2.85	8.52	2.87	9.08	2.91	9.69	2.95						
44	7.69	2.82	7.47	2.86	7.93	2.90	8.19	2.92	8.45	2.94	9.02	2.98	9.65	3.02						
46	7.69	2.89	7.38	2.93	7.86	2.97	8.12	2.99	8.39	3.01	8.98	3.05	9.62	3.09						
2000	2000	2500	3500	10000	100%	10	7.82	1.84	11.03	1.89	11.24	1.93	11.37	1.95	11.51	1.98	11.83	2.02	12.21	2.06
						12	7.82	1.89	10.73	1.93	10.96	1.98	11.09	2.00	11.24	2.02	11.57	2.06	11.97	2.10
						14	7.82	1.93	10.44	1.98	10.68	2.03	10.82	2.05	10.98	2.07	11.33	2.11	11.74	2.15
						16	7.82	1.98	10.17	2.03	10.42	2.07	10.57	2.10	10.73	2.12	11.10	2.16	11.53	2.20
						18	7.82	2.03	9.91	2.08	10.18	2.12	10.33	2.15	10.50	2.17	10.88	2.21	11.32	2.25
						20	7.82	2.09	9.65	2.13	9.94	2.18	10.10	2.20	10.28	2.22	10.68	2.26	11.13	2.30
						21	7.82	2.11	9.53	2.16	9.83	2.20	9.99	2.22	10.18	2.24	10.58	2.29	11.04	2.32
						23	7.82	2.17	9.30	2.21	9.61	2.26	9.78	2.28	9.97	2.30	10.39	2.34	10.87	2.38
						25	7.82	2.22	9.08	2.27	9.40	2.31	9.59	2.33	9.78	2.35	10.22	2.39	10.71	2.43
						27	7.82	2.28	8.87	2.32	9.21	2.37	9.40	2.39	9.61	2.41	10.06	2.45	10.57	2.49
						29	7.82	2.34	8.68	2.38	9.03	2.42	9.23	2.45	9.44	2.47	9.91	2.51	10.43	2.54
						31	7.82	2.40	8.49	2.44	8.86	2.48	9.07	2.50	9.29	2.52	9.77	2.56	10.31	2.60
						33	7.82	2.46	8.32	2.50	8.71	2.54	8.92	2.56	9.15	2.59	9.65	2.62	10.20	2.66
						35	7.82	2.52	8.16	2.56	8.56	2.61	8.85	2.62	9.02	2.65	9.53	2.69	10.10	2.72
						37	7.82	2.58	8.02	2.63	8.43	2.67	8.66	2.69	8.90	2.71	9.43	2.75	10.02	2.79
						39	7.82	2.65	7.88	2.69	8.31	2.73	8.55	2.75	8.80	2.77	9.34	2.81	9.94	2.85
42	7.82	2.75	7.71	2.79	8.16	2.83	8.41	2.85	8.67	2.87	9.23	2.91	9.86	2.95						
44	7.82	2.82	7.60	2.86	8.07	2.90	8.33	2.92	8.60	2.94	9.18	2.98	9.82	3.02						
46	7.82	2.89	7.51	2.93	8.00	2.97	8.26	2.99	8.54	3.01	9.13	3.05	9.79	3.09						

# 12. Capacity Table

## 12-7. AJ100MCJ5EH/EU

### COOLING

Combination (Capacity Index)				Combination (Total)	Combination (%)	Outdoor Temperature (°C, DB)	Indoor Temperature (°C, WB)													
							14		16		18		19		20		22		24	
							TC(kW)	PI(kW)	TC(kW)	PI(kW)	TC(kW)	PI(kW)	TC(kW)	PI(kW)	TC(kW)	PI(kW)	TC(kW)	PI(kW)	TC(kW)	PI(kW)
2000	2000	2500	5000	11500	115%	10	7.78	1.92	10.97	1.97	11.18	2.01	11.30	2.04	11.44	2.06	11.76	2.10	12.14	2.14
						12	7.78	1.97	10.67	2.01	10.89	2.06	11.03	2.08	11.17	2.11	11.51	2.15	11.90	2.21
						14	7.78	2.02	10.39	2.06	10.62	2.11	10.76	2.13	10.92	2.16	11.27	2.20	11.67	2.24
						16	7.78	2.07	10.11	2.11	10.36	2.16	10.51	2.18	10.67	2.21	11.04	2.25	11.46	2.29
						18	7.78	2.12	9.85	2.17	10.12	2.21	10.27	2.24	10.44	2.26	10.82	2.30	11.26	2.34
						20	7.78	2.17	9.60	2.22	9.88	2.27	10.05	2.29	10.22	2.31	10.62	2.35	11.07	2.39
						21	7.78	2.20	9.48	2.25	9.77	2.29	9.94	2.32	10.12	2.34	10.52	2.38	10.98	2.42
						23	7.78	2.26	9.25	2.30	9.56	2.35	9.73	2.37	9.92	2.39	10.34	2.44	10.81	2.48
						25	7.78	2.31	9.03	2.36	9.35	2.41	9.53	2.43	9.73	2.45	10.16	2.49	10.65	2.53
						27	7.78	2.37	8.82	2.42	9.16	2.47	9.35	2.49	9.55	2.51	10.00	2.55	10.51	2.59
						29	7.78	2.43	8.63	2.48	8.98	2.53	9.18	2.55	9.39	2.57	9.85	2.61	10.37	2.65
						31	7.78	2.50	8.45	2.54	8.81	2.59	9.02	2.61	9.24	2.63	9.72	2.67	10.25	2.71
						33	7.78	2.56	8.28	2.61	8.66	2.65	8.87	2.67	9.10	2.69	9.59	2.74	10.14	2.78
						35	7.78	2.62	8.12	2.67	8.52	2.71	8.80	2.73	8.97	2.76	9.48	2.80	10.05	2.84
						37	7.78	2.69	7.97	2.74	8.39	2.78	8.61	2.80	8.85	2.82	9.38	2.86	9.96	2.90
						39	7.78	2.76	7.84	2.80	8.27	2.85	8.50	2.87	8.75	2.89	9.29	2.93	9.89	2.97
42	7.78	2.86	7.66	2.91	8.11	2.95	8.36	2.97	8.62	2.99	9.18	3.04	9.80	3.07						
44	7.78	2.93	7.56	2.98	8.03	3.02	8.28	3.04	8.55	3.07	9.13	3.11	9.76	3.14						
46	7.78	3.01	7.47	3.05	7.95	3.10	8.21	3.12	8.49	3.14	9.08	3.18	9.73	3.22						
2000	2000	2500	6800	13300	133%	10	10.30	1.96	10.70	2.01	11.11	2.05	11.32	2.07	11.53	2.09	11.95	2.13	12.38	2.17
						12	10.12	2.02	10.53	2.06	10.94	2.10	11.15	2.12	11.35	2.14	11.78	2.19	12.21	2.23
						14	9.94	2.07	10.35	2.11	10.76	2.16	10.97	2.18	11.18	2.20	11.60	2.24	12.03	2.28
						16	9.76	2.13	10.17	2.17	10.58	2.21	10.79	2.23	11.00	2.25	11.43	2.30	11.86	2.34
						18	9.59	2.18	9.99	2.22	10.41	2.27	10.62	2.29	10.83	2.31	11.25	2.35	11.69	2.40
						20	9.41	2.24	9.82	2.28	10.23	2.32	10.44	2.35	10.65	2.37	11.08	2.41	11.51	2.45
						21	9.32	2.27	9.73	2.31	10.15	2.35	10.35	2.37	10.57	2.40	10.99	2.44	11.43	2.48
						23	9.15	2.32	9.55	2.37	9.97	2.41	10.18	2.43	10.39	2.46	10.82	2.50	11.25	2.54
						25	8.97	2.38	9.38	2.43	9.80	2.47	10.01	2.49	10.22	2.51	10.65	2.56	11.08	2.60
						27	8.79	2.44	9.20	2.49	9.62	2.53	9.83	2.55	10.05	2.58	10.47	2.62	10.91	2.66
						29	8.62	2.50	9.03	2.55	9.45	2.59	9.66	2.62	9.87	2.64	10.30	2.68	10.74	2.73
						31	8.44	2.57	8.86	2.61	9.28	2.66	9.49	2.68	9.70	2.70	10.13	2.75	10.57	2.79
						33	8.27	2.63	8.68	2.67	9.10	2.72	9.32	2.74	9.53	2.76	9.96	2.81	10.40	2.85
						35	8.10	2.69	8.51	2.74	8.93	2.78	9.16	2.80	9.36	2.83	9.79	2.87	10.23	2.92
						37	7.92	2.76	8.34	2.80	8.76	2.85	8.97	2.87	9.19	2.89	9.62	2.94	10.06	2.99
						39	7.75	2.82	8.17	2.87	8.59	2.92	8.80	2.94	9.02	2.96	9.45	3.01	9.89	3.05
42	7.49	2.92	7.91	2.97	8.33	3.02	8.55	3.04	8.76	3.06	9.20	3.11	9.64	3.16						
44	7.32	2.99	7.74	3.04	8.16	3.09	8.38	3.11	8.59	3.13	9.03	3.18	9.47	3.23						
46	7.15	3.06	7.57	3.11	7.99	3.16	8.21	3.18	8.42	3.20	8.86	3.25	9.30	3.30						

# 12. Capacity Table

## 12-7. AJ100MCJ5EH/EU

### COOLING

Combination (Capacity Index)				Combination (Total)	Combination (%)	Outdoor Temperature (°C, DB)	Indoor Temperature (°C, WB)															
							14		16		18		19		20		22		24			
							TC(kW)	PI(kW)	TC(kW)	PI(kW)	TC(kW)	PI(kW)	TC(kW)	PI(kW)	TC(kW)	PI(kW)	TC(kW)	PI(kW)	TC(kW)	PI(kW)		
2000	2000	3500	3500	11000	110%	10	7.69	1.88	10.85	1.93	11.05	1.98	11.17	2.00	11.31	2.02	11.63	2.06	12.00	2.10		
						12	7.69	1.93	10.55	1.98	10.77	2.02	10.90	2.05	11.05	2.07	11.38	2.11	11.76	2.15		
						14	7.69	1.98	10.27	2.03	10.50	2.07	10.64	2.09	10.79	2.12	11.14	2.16	11.54	2.20		
						16	7.69	2.03	10.00	2.08	10.25	2.12	10.39	2.14	10.55	2.17	10.91	2.21	11.33	2.25		
						18	7.69	2.08	9.74	2.13	10.00	2.17	10.16	2.19	10.32	2.22	10.70	2.26	11.13	2.30		
						20	7.69	2.13	9.49	2.18	9.77	2.23	9.93	2.25	10.11	2.27	10.50	2.31	10.95	2.35		
						21	7.69	2.16	9.37	2.21	9.66	2.25	9.82	2.27	10.00	2.30	10.40	2.34	10.86	2.38		
						23	7.69	2.22	9.14	2.26	9.45	2.31	9.62	2.33	9.80	2.35	10.22	2.39	10.69	2.43		
						25	7.69	2.27	8.93	2.32	9.24	2.36	9.42	2.38	9.62	2.41	10.05	2.45	10.53	2.49		
						27	7.69	2.33	8.72	2.38	9.06	2.42	9.24	2.44	9.44	2.46	9.89	2.50	10.39	2.54		
						29	7.69	2.39	8.53	2.44	8.88	2.48	9.07	2.50	9.28	2.52	9.74	2.56	10.26	2.60		
						31	7.69	2.45	8.35	2.50	8.71	2.54	8.92	2.56	9.13	2.58	9.61	2.62	10.14	2.66		
						33	7.69	2.51	8.18	2.56	8.56	2.60	8.77	2.62	8.99	2.64	9.48	2.69	10.03	2.72		
						35	7.69	2.58	8.03	2.62	8.42	2.67	8.70	2.68	8.87	2.71	9.37	2.75	9.93	2.79		
						37	7.69	2.64	7.88	2.69	8.29	2.73	8.51	2.75	8.75	2.77	9.27	2.81	9.85	2.85		
						39	7.69	2.71	7.75	2.75	8.17	2.80	8.41	2.82	8.65	2.84	9.19	2.88	9.78	2.92		
42	7.69	2.81	7.58	2.85	8.02	2.90	8.26	2.92	8.52	2.94	9.08	2.98	9.69	3.02								
44	7.69	2.88	7.47	2.92	7.93	2.97	8.19	2.99	8.45	3.01	9.02	3.05	9.65	3.09								
46	7.69	2.95	7.38	3.00	7.86	3.04	8.12	3.06	8.39	3.08	8.98	3.12	9.62	3.16								
2000	2000	3500	5000	12500	125%	10	7.95	1.96	11.22	2.01	11.43	2.06	11.56	2.08	11.70	2.10	12.03	2.15	12.41	2.19		
						12	7.95	2.01	10.91	2.06	11.14	2.11	11.28	2.13	11.43	2.15	11.77	2.20	12.17	2.24		
						14	7.95	2.06	10.62	2.11	10.86	2.16	11.01	2.18	11.17	2.20	11.52	2.25	11.94	2.29		
						16	7.95	2.11	10.34	2.16	10.60	2.21	10.75	2.23	10.92	2.25	11.29	2.30	11.72	2.34		
						18	7.95	2.17	10.07	2.21	10.35	2.26	10.51	2.28	10.68	2.31	11.07	2.35	11.52	2.39		
						20	7.95	2.22	9.82	2.27	10.11	2.32	10.27	2.34	10.46	2.36	10.86	2.41	11.32	2.45		
						21	7.95	2.25	9.70	2.30	9.99	2.34	10.16	2.37	10.35	2.39	10.76	2.43	11.23	2.48		
						23	7.95	2.31	9.46	2.35	9.77	2.40	9.95	2.42	10.14	2.45	10.57	2.49	11.06	2.53		
						25	7.95	2.37	9.23	2.41	9.56	2.46	9.75	2.48	9.95	2.50	10.39	2.55	10.89	2.59		
						27	7.95	2.43	9.02	2.47	9.37	2.52	9.56	2.54	9.77	2.56	10.23	2.61	10.75	2.65		
						29	7.95	2.49	8.82	2.54	9.18	2.58	9.39	2.60	9.60	2.63	10.08	2.67	10.61	2.71		
						31	7.95	2.55	8.64	2.60	9.01	2.64	9.22	2.67	9.45	2.69	9.94	2.73	10.48	2.77		
						33	7.95	2.62	8.46	2.66	8.86	2.71	9.07	2.73	9.30	2.75	9.81	2.80	10.37	2.84		
						35	7.95	2.68	8.30	2.73	8.71	2.77	9.00	2.79	9.17	2.82	9.69	2.86	10.27	2.90		
						37	7.95	2.75	8.15	2.80	8.58	2.84	8.81	2.86	9.06	2.89	9.59	2.93	10.19	2.97		
						39	7.95	2.82	8.02	2.87	8.46	2.91	8.70	2.93	8.95	2.95	9.50	3.00	10.11	3.04		
42	7.95	2.93	7.84	2.97	8.30	3.02	8.55	3.04	8.82	3.06	9.39	3.10	10.02	3.14								
44	7.95	3.00	7.73	3.04	8.21	3.09	8.47	3.11	8.74	3.13	9.33	3.17	9.98	3.21								
46	7.95	3.07	7.64	3.12	8.13	3.16	8.40	3.19	8.68	3.21	9.29	3.25	9.95	3.29								

# 12. Capacity Table

## 12-7. AJ100MCJ5EH/EU

### COOLING

Combination (Capacity Index)				Combination (Total)	Combination (%)	Outdoor Temperature (°C, DB)	Indoor Temperature (°C, WB)															
							14		16		18		19		20		22		24			
							TC(kW)	PI(kW)	TC(kW)	PI(kW)	TC(kW)	PI(kW)	TC(kW)	PI(kW)	TC(kW)	PI(kW)	TC(kW)	PI(kW)	TC(kW)	PI(kW)		
2000	2000	3500	6800	14300	143%	10	10.52	1.94	10.94	1.98	11.36	2.02	11.57	2.04	11.78	2.06	12.22	2.10	12.65	2.14		
						12	10.34	1.99	10.76	2.03	11.18	2.07	11.39	2.09	11.60	2.11	12.04	2.15	12.47	2.20		
						14	10.16	2.04	10.57	2.08	11.00	2.12	11.21	2.15	11.42	2.17	11.86	2.21	12.30	2.25		
						16	9.98	2.09	10.39	2.14	10.82	2.18	11.03	2.20	11.24	2.22	11.68	2.26	12.12	2.31		
						18	9.80	2.15	10.21	2.19	10.64	2.23	10.85	2.26	11.06	2.28	11.50	2.32	11.94	2.36		
						20	9.62	2.21	10.03	2.25	10.46	2.29	10.67	2.31	10.89	2.33	11.32	2.38	11.76	2.42		
						21	9.52	2.23	9.94	2.28	10.37	2.32	10.58	2.34	10.80	2.36	11.23	2.40	11.68	2.45		
						23	9.34	2.29	9.76	2.33	10.19	2.38	10.40	2.40	10.62	2.42	11.06	2.46	11.50	2.51		
						25	9.17	2.35	9.58	2.39	10.01	2.44	10.23	2.46	10.44	2.48	10.88	2.52	11.32	2.57		
						27	8.99	2.41	9.41	2.45	9.83	2.50	10.05	2.52	10.26	2.54	10.70	2.58	11.15	2.63		
						29	8.81	2.47	9.23	2.51	9.65	2.56	9.87	2.58	10.09	2.60	10.53	2.64	10.97	2.69		
						31	8.63	2.53	9.05	2.57	9.48	2.62	9.69	2.64	9.91	2.66	10.35	2.71	10.80	2.75		
						33	8.45	2.59	8.87	2.64	9.30	2.68	9.52	2.70	9.74	2.72	10.18	2.77	10.63	2.81		
						35	8.27	2.65	8.70	2.70	9.13	2.74	9.36	2.76	9.56	2.79	10.00	2.83	10.45	2.88		
						37	8.10	2.72	8.52	2.76	8.95	2.81	9.17	2.83	9.39	2.85	9.83	2.90	10.28	2.94		
						39	7.92	2.78	8.34	2.83	8.78	2.87	8.99	2.90	9.21	2.92	9.66	2.96	10.11	3.01		
42	7.66	2.88	8.08	2.93	8.51	2.97	8.73	3.00	8.95	3.02	9.40	3.06	9.85	3.11								
44	7.48	2.95	7.91	3.00	8.34	3.04	8.56	3.06	8.78	3.09	9.23	3.13	9.68	3.18								
46	7.31	3.02	7.73	3.06	8.17	3.11	8.39	3.13	8.61	3.16	9.05	3.20	9.51	3.25								
2000	2000	5000	5000	14000	140%	10	10.46	2.00	10.87	2.04	11.28	2.08	11.50	2.11	11.71	2.13	12.14	2.17	12.57	2.21		
						12	10.28	2.05	10.69	2.10	11.10	2.14	11.32	2.16	11.53	2.18	11.96	2.22	12.39	2.27		
						14	10.09	2.11	10.51	2.15	10.92	2.19	11.14	2.22	11.35	2.24	11.78	2.28	12.22	2.32		
						16	9.91	2.16	10.33	2.21	10.75	2.25	10.96	2.27	11.17	2.29	11.60	2.34	12.04	2.38		
						18	9.73	2.22	10.15	2.26	10.57	2.31	10.78	2.33	10.99	2.35	11.43	2.39	11.86	2.44		
						20	9.55	2.28	9.97	2.32	10.39	2.37	10.60	2.39	10.82	2.41	11.25	2.45	11.69	2.50		
						21	9.46	2.31	9.88	2.35	10.30	2.39	10.51	2.42	10.73	2.44	11.16	2.48	11.60	2.53		
						23	9.28	2.37	9.70	2.41	10.12	2.45	10.34	2.48	10.55	2.50	10.99	2.54	11.43	2.59		
						25	9.11	2.43	9.52	2.47	9.95	2.52	10.16	2.54	10.37	2.56	10.81	2.60	11.25	2.65		
						27	8.93	2.49	9.35	2.53	9.77	2.58	9.98	2.60	10.20	2.62	10.63	2.67	11.08	2.71		
						29	8.75	2.55	9.17	2.59	9.59	2.64	9.81	2.66	10.02	2.68	10.46	2.73	10.90	2.78		
						31	8.57	2.61	8.99	2.66	9.42	2.70	9.63	2.73	9.85	2.75	10.29	2.79	10.73	2.84		
						33	8.40	2.68	8.82	2.72	9.24	2.77	9.46	2.79	9.67	2.81	10.11	2.86	10.56	2.91		
						35	8.22	2.74	8.64	2.79	9.07	2.83	9.30	2.85	9.50	2.88	9.94	2.93	10.38	2.97		
						37	8.04	2.81	8.47	2.85	8.89	2.90	9.11	2.92	9.33	2.95	9.77	2.99	10.21	3.04		
						39	7.87	2.87	8.29	2.92	8.72	2.97	8.94	2.99	9.15	3.01	9.59	3.06	10.04	3.11		
42	7.61	2.98	8.03	3.02	8.46	3.07	8.68	3.09	8.90	3.12	9.34	3.16	9.79	3.21								
44	7.43	3.05	7.86	3.09	8.29	3.14	8.50	3.16	8.72	3.19	9.17	3.24	9.61	3.28								
46	7.26	3.12	7.68	3.16	8.11	3.21	8.33	3.24	8.55	3.26	9.00	3.31	9.45	3.35								

# 12. Capacity Table

## 12-7. AJ100MCJ5EH/EU

### COOLING

Combination (Capacity Index)				Combination (Total)	Combination (%)	Outdoor Temperature (°C, DB)	Indoor Temperature (°C, WB)															
							14		16		18		19		20		22		24			
							TC(kW)	PI(kW)	TC(kW)	PI(kW)	TC(kW)	PI(kW)	TC(kW)	PI(kW)	TC(kW)	PI(kW)	TC(kW)	PI(kW)	TC(kW)	PI(kW)		
2000	2000	5000	6800	15800	158%	10	11.02	2.01	11.45	2.06	11.89	2.10	12.11	2.12	12.34	2.14	12.79	2.19	13.25	2.23		
						12	10.83	2.07	11.26	2.11	11.70	2.15	11.92	2.18	12.15	2.20	12.60	2.24	13.06	2.28		
						14	10.64	2.12	11.07	2.17	11.51	2.21	11.74	2.23	11.96	2.25	12.41	2.30	12.87	2.34		
						16	10.45	2.18	10.88	2.22	11.32	2.27	11.55	2.29	11.77	2.31	12.23	2.35	12.69	2.40		
						18	10.26	2.24	10.69	2.28	11.14	2.32	11.36	2.35	11.58	2.37	12.04	2.41	12.50	2.46		
						20	10.07	2.29	10.50	2.34	10.95	2.38	11.17	2.40	11.40	2.43	11.85	2.47	12.32	2.52		
						21	9.97	2.32	10.41	2.37	10.85	2.41	11.08	2.43	11.30	2.46	11.76	2.50	12.22	2.55		
						23	9.78	2.38	10.22	2.43	10.67	2.47	10.89	2.49	11.12	2.52	11.58	2.56	12.04	2.61		
						25	9.60	2.44	10.03	2.49	10.48	2.53	10.71	2.56	10.93	2.58	11.39	2.62	11.86	2.67		
						27	9.41	2.50	9.85	2.55	10.29	2.59	10.52	2.62	10.75	2.64	11.21	2.69	11.67	2.73		
						29	9.22	2.57	9.66	2.61	10.11	2.66	10.33	2.68	10.56	2.70	11.02	2.75	11.49	2.79		
						31	9.03	2.63	9.48	2.68	9.92	2.72	10.15	2.74	10.38	2.77	10.84	2.81	11.31	2.86		
						33	8.85	2.69	9.29	2.74	9.74	2.79	9.97	2.81	10.19	2.83	10.66	2.88	11.12	2.93		
						35	8.66	2.76	9.11	2.81	9.55	2.85	9.80	2.87	10.01	2.90	10.47	2.95	10.94	2.99		
						37	8.48	2.83	8.92	2.87	9.37	2.92	9.60	2.94	9.83	2.97	10.29	3.01	10.76	3.06		
						39	8.29	2.89	8.74	2.94	9.19	2.99	9.42	3.01	9.65	3.04	10.11	3.08	10.58	3.13		
42	8.02	3.00	8.46	3.04	8.91	3.09	9.14	3.12	9.37	3.14	9.84	3.19	10.31	3.23								
44	7.83	3.07	8.28	3.11	8.73	3.16	8.96	3.19	9.19	3.21	9.66	3.26	10.13	3.31								
46	7.65	3.14	8.10	3.19	8.55	3.23	8.78	3.26	9.01	3.28	9.48	3.33	9.95	3.38								
2000	2500	2500	2500	9500	95%	10	7.76	1.84	10.95	1.89	11.15	1.93	11.28	1.95	11.42	1.98	11.73	2.02	12.11	2.06		
						12	7.76	1.89	10.65	1.93	10.87	1.98	11.00	2.00	11.15	2.02	11.48	2.06	11.87	2.10		
						14	7.76	1.93	10.36	1.98	10.60	2.03	10.74	2.05	10.89	2.07	11.24	2.11	11.65	2.15		
						16	7.76	1.98	10.09	2.03	10.34	2.07	10.49	2.10	10.65	2.12	11.01	2.16	11.44	2.20		
						18	7.76	2.03	9.83	2.08	10.10	2.12	10.25	2.15	10.42	2.17	10.80	2.21	11.23	2.25		
						20	7.76	2.09	9.58	2.13	9.86	2.18	10.02	2.20	10.20	2.22	10.60	2.26	11.05	2.30		
						21	7.76	2.11	9.46	2.16	9.75	2.20	9.92	2.22	10.10	2.24	10.50	2.29	10.96	2.32		
						23	7.76	2.17	9.23	2.21	9.53	2.26	9.71	2.28	9.90	2.30	10.31	2.34	10.79	2.38		
						25	7.76	2.22	9.01	2.27	9.33	2.31	9.51	2.33	9.71	2.35	10.14	2.39	10.63	2.43		
						27	7.76	2.28	8.80	2.32	9.14	2.37	9.33	2.39	9.53	2.41	9.98	2.45	10.48	2.49		
						29	7.76	2.34	8.61	2.38	8.96	2.42	9.16	2.45	9.37	2.47	9.83	2.51	10.35	2.54		
						31	7.76	2.40	8.43	2.44	8.79	2.48	9.00	2.50	9.22	2.52	9.69	2.56	10.23	2.60		
						33	7.76	2.46	8.26	2.50	8.64	2.54	8.85	2.56	9.08	2.59	9.57	2.62	10.12	2.66		
						35	7.76	2.52	8.10	2.56	8.50	2.61	8.78	2.62	8.95	2.65	9.46	2.69	10.02	2.72		
						37	7.76	2.58	7.95	2.63	8.37	2.67	8.59	2.69	8.83	2.71	9.36	2.75	9.94	2.79		
						39	7.76	2.65	7.82	2.69	8.25	2.73	8.48	2.75	8.73	2.77	9.27	2.81	9.87	2.85		
42	7.76	2.75	7.64	2.79	8.09	2.83	8.34	2.85	8.60	2.87	9.16	2.91	9.78	2.95								
44	7.76	2.82	7.54	2.86	8.01	2.90	8.26	2.92	8.53	2.94	9.10	2.98	9.74	3.02								
46	7.76	2.89	7.45	2.93	7.93	2.97	8.19	2.99	8.47	3.01	9.06	3.05	9.71	3.09								

# 12. Capacity Table

## 12-7. AJ100MCJ5EH/EU

### COOLING

Combination (Capacity Index)				Combination (Total)	Combination (%)	Outdoor Temperature (°C, DB)	Indoor Temperature (°C, WB)															
							14		16		18		19		20		22		24			
							TC(kW)	PI(kW)	TC(kW)	PI(kW)	TC(kW)	PI(kW)	TC(kW)	PI(kW)	TC(kW)	PI(kW)	TC(kW)	PI(kW)	TC(kW)	PI(kW)		
2000	2500	2500	3500	10500	105%	10	790	1.88	11.14	1.92	11.36	1.97	11.48	1.99	11.62	2.01	11.95	2.06	12.33	2.10		
						12	790	1.92	10.84	1.97	11.07	2.02	11.20	2.04	11.35	2.06	11.69	2.10	12.09	2.14		
						14	790	1.97	10.55	2.02	10.79	2.06	10.93	2.09	11.09	2.11	11.45	2.15	11.86	2.19		
						16	790	2.02	10.27	2.07	10.53	2.11	10.68	2.14	10.84	2.16	11.22	2.20	11.64	2.24		
						18	790	2.07	10.01	2.12	10.28	2.16	10.44	2.19	10.61	2.21	11.00	2.25	11.44	2.29		
						20	790	2.13	9.75	2.17	10.04	2.22	10.21	2.24	10.39	2.26	10.79	2.30	11.25	2.34		
						21	790	2.15	9.63	2.20	9.93	2.24	10.10	2.27	10.28	2.29	10.69	2.33	11.16	2.37		
						23	790	2.21	9.40	2.25	9.71	2.30	9.88	2.32	10.08	2.34	10.50	2.38	10.98	2.42		
						25	790	2.26	9.17	2.31	9.50	2.35	9.68	2.38	9.88	2.40	10.32	2.44	10.82	2.48		
						27	790	2.32	8.96	2.37	9.31	2.41	9.50	2.43	9.70	2.45	10.16	2.50	10.67	2.54		
						29	790	2.38	8.77	2.43	9.12	2.47	9.32	2.49	9.54	2.51	10.01	2.55	10.54	2.59		
						31	790	2.44	8.58	2.49	8.95	2.53	9.16	2.55	9.38	2.57	9.87	2.61	10.41	2.65		
						33	790	2.50	8.41	2.55	8.80	2.59	9.01	2.61	9.24	2.63	9.74	2.68	10.30	2.71		
						35	790	2.57	8.25	2.61	8.65	2.66	8.94	2.67	9.11	2.70	9.63	2.74	10.20	2.78		
						37	790	2.63	8.10	2.68	8.52	2.72	8.75	2.74	8.99	2.76	9.53	2.80	10.12	2.84		
						39	790	2.70	7.96	2.74	8.40	2.79	8.64	2.81	8.89	2.83	9.44	2.87	10.05	2.91		
42	790	2.80	7.78	2.84	8.24	2.89	8.49	2.91	8.76	2.93	9.33	2.97	9.96	3.01								
44	790	2.87	7.68	2.91	8.15	2.96	8.41	2.98	8.68	3.00	9.27	3.04	9.91	3.08								
46	790	2.94	7.59	2.98	8.08	3.03	8.34	3.05	8.62	3.07	9.22	3.11	9.88	3.15								
2000	2500	2500	5000	12000	120%	10	785	1.92	11.07	1.97	11.28	2.01	11.41	2.04	11.55	2.06	11.87	2.10	12.25	2.14		
						12	785	1.97	10.77	2.01	10.99	2.06	11.13	2.08	11.28	2.11	11.61	2.15	12.01	2.19		
						14	785	2.02	10.48	2.06	10.72	2.11	10.86	2.13	11.02	2.16	11.37	2.20	11.78	2.24		
						16	785	2.07	10.20	2.11	10.46	2.16	10.61	2.18	10.77	2.21	11.14	2.25	11.57	2.29		
						18	785	2.12	9.94	2.17	10.21	2.21	10.37	2.24	10.54	2.26	10.92	2.30	11.36	2.34		
						20	785	2.17	9.69	2.22	9.97	2.27	10.14	2.29	10.32	2.31	10.72	2.35	11.17	2.39		
						21	785	2.20	9.57	2.25	9.86	2.29	10.03	2.32	10.21	2.34	10.62	2.38	11.08	2.42		
						23	785	2.26	9.33	2.30	9.64	2.35	9.82	2.37	10.01	2.39	10.43	2.44	10.91	2.48		
						25	785	2.31	9.11	2.36	9.44	2.41	9.62	2.43	9.82	2.45	10.26	2.49	10.75	2.53		
						27	785	2.37	8.90	2.42	9.24	2.47	9.43	2.49	9.64	2.51	10.09	2.55	10.60	2.59		
						29	785	2.43	8.71	2.48	9.06	2.53	9.26	2.55	9.47	2.57	9.94	2.61	10.47	2.65		
						31	785	2.50	8.52	2.54	8.89	2.59	9.10	2.61	9.32	2.63	9.80	2.67	10.34	2.71		
						33	785	2.56	8.35	2.61	8.74	2.65	8.95	2.67	9.18	2.69	9.68	2.74	10.23	2.78		
						35	785	2.62	8.19	2.67	8.59	2.71	8.88	2.73	9.05	2.76	9.57	2.80	10.14	2.84		
						37	785	2.69	8.05	2.74	8.46	2.78	8.69	2.80	8.93	2.82	9.46	2.86	10.05	2.90		
						39	785	2.76	7.91	2.80	8.34	2.85	8.58	2.87	8.83	2.89	9.38	2.93	9.98	2.97		
42	785	2.86	7.73	2.91	8.19	2.95	8.44	2.97	8.70	2.99	9.27	3.04	9.89	3.07								
44	785	2.93	7.63	2.98	8.10	3.02	8.35	3.04	8.62	3.07	9.21	3.11	9.85	3.14								
46	785	3.01	7.54	3.05	8.02	3.10	8.29	3.12	8.56	3.14	9.16	3.18	9.82	3.22								



# 12. Capacity Table

## 12-7. AJ100MCJ5EH/EU

### COOLING

Combination (Capacity Index)				Combination (Total)	Combination (%)	Outdoor Temperature (°C, DB)	Indoor Temperature (°C, WB)															
							14		16		18		19		20		22		24			
							TC(kW)	PI(kW)	TC(kW)	PI(kW)	TC(kW)	PI(kW)	TC(kW)	PI(kW)	TC(kW)	PI(kW)	TC(kW)	PI(kW)	TC(kW)	PI(kW)		
2000	2500	2500	6800	13800	138%	10	10.41	2.00	10.82	2.04	11.24	2.08	11.45	2.11	11.66	2.13	12.08	2.17	12.52	2.21		
						12	10.23	2.05	10.64	2.10	11.06	2.14	11.27	2.16	11.48	2.18	11.91	2.22	12.34	2.27		
						14	10.05	2.11	10.46	2.15	10.88	2.19	11.09	2.22	11.30	2.24	11.73	2.28	12.16	2.32		
						16	9.87	2.16	10.28	2.21	10.70	2.25	10.91	2.27	11.12	2.29	11.55	2.34	11.99	2.38		
						18	9.69	2.22	10.10	2.26	10.52	2.31	10.73	2.33	10.95	2.35	11.38	2.39	11.81	2.44		
						20	9.51	2.28	9.93	2.32	10.34	2.37	10.56	2.39	10.77	2.41	11.20	2.45	11.64	2.50		
						21	9.42	2.31	9.84	2.35	10.26	2.39	10.47	2.42	10.68	2.44	11.11	2.48	11.55	2.53		
						23	9.24	2.37	9.66	2.41	10.08	2.45	10.29	2.48	10.51	2.50	10.94	2.54	11.38	2.59		
						25	9.07	2.43	9.48	2.47	9.90	2.52	10.12	2.54	10.33	2.56	10.76	2.60	11.20	2.65		
						27	8.89	2.49	9.31	2.53	9.73	2.58	9.94	2.60	10.16	2.62	10.59	2.67	11.03	2.71		
						29	8.71	2.55	9.13	2.59	9.55	2.64	9.77	2.66	9.98	2.68	10.42	2.73	10.86	2.78		
						31	8.54	2.61	8.95	2.66	9.38	2.70	9.59	2.73	9.81	2.75	10.24	2.79	10.68	2.84		
						33	8.36	2.68	8.78	2.72	9.20	2.77	9.42	2.79	9.63	2.81	10.07	2.86	10.51	2.91		
						35	8.18	2.74	8.60	2.79	9.03	2.83	9.26	2.85	9.46	2.88	9.90	2.93	10.34	2.97		
						37	8.01	2.81	8.43	2.85	8.85	2.90	9.07	2.92	9.29	2.95	9.72	2.99	10.17	3.04		
						39	7.84	2.87	8.26	2.92	8.68	2.97	8.90	2.99	9.11	3.01	9.55	3.06	10.00	3.11		
42	7.57	2.98	8.00	3.02	8.42	3.07	8.64	3.09	8.86	3.12	9.30	3.16	9.74	3.21								
44	7.40	3.05	7.82	3.09	8.25	3.14	8.47	3.16	8.69	3.19	9.13	3.24	9.57	3.28								
46	7.23	3.12	7.65	3.16	8.08	3.21	8.30	3.24	8.52	3.26	8.96	3.31	9.40	3.35								
2000	2500	3500	3500	11500	115%	10	7.78	1.91	10.97	1.96	11.18	2.01	11.30	2.03	11.44	2.05	11.76	2.09	12.14	2.14		
						12	7.78	1.96	10.67	2.01	10.89	2.05	11.03	2.08	11.17	2.10	11.51	2.14	11.90	2.18		
						14	7.78	2.01	10.39	2.06	10.62	2.10	10.76	2.13	10.92	2.15	11.27	2.19	11.67	2.23		
						16	7.78	2.06	10.11	2.11	10.36	2.15	10.51	2.18	10.67	2.20	11.04	2.24	11.46	2.28		
						18	7.78	2.11	9.85	2.16	10.12	2.21	10.27	2.23	10.44	2.25	10.82	2.29	11.26	2.33		
						20	7.78	2.17	9.60	2.21	9.88	2.26	10.05	2.28	10.22	2.30	10.62	2.35	11.07	2.39		
						21	7.78	2.19	9.48	2.24	9.77	2.29	9.94	2.31	10.12	2.33	10.52	2.37	10.98	2.41		
						23	7.78	2.25	9.25	2.30	9.56	2.34	9.73	2.36	9.92	2.39	10.34	2.43	10.81	2.47		
						25	7.78	2.31	9.03	2.35	9.35	2.40	9.53	2.42	9.73	2.44	10.16	2.48	10.65	2.52		
						27	7.78	2.36	8.82	2.41	9.16	2.46	9.35	2.48	9.55	2.50	10.00	2.54	10.51	2.58		
						29	7.78	2.43	8.63	2.47	8.98	2.52	9.18	2.54	9.39	2.56	9.85	2.60	10.37	2.64		
						31	7.78	2.49	8.45	2.53	8.81	2.58	9.02	2.60	9.24	2.62	9.72	2.66	10.25	2.70		
						33	7.78	2.55	8.28	2.60	8.66	2.64	8.87	2.66	9.10	2.68	9.59	2.73	10.14	2.76		
						35	7.78	2.61	8.12	2.66	8.52	2.71	8.80	2.72	8.97	2.75	9.48	2.79	10.05	2.83		
						37	7.78	2.68	7.97	2.73	8.39	2.77	8.61	2.79	8.85	2.81	9.38	2.85	9.96	2.89		
						39	7.78	2.75	7.84	2.79	8.27	2.84	8.50	2.86	8.75	2.88	9.29	2.92	9.89	2.96		
42	7.78	2.85	7.66	2.90	8.11	2.94	8.36	2.96	8.62	2.98	9.18	3.02	9.80	3.06								
44	7.78	2.92	7.56	2.97	8.03	3.01	8.28	3.03	8.55	3.05	9.13	3.09	9.76	3.13								
46	7.78	3.00	7.47	3.04	7.95	3.08	8.21	3.11	8.49	3.13	9.08	3.17	9.73	3.20								

# 12. Capacity Table

## 12-7. AJ100MCJ5EH/EU

### COOLING

Combination (Capacity Index)				Combination (Total)	Combination (%)	Outdoor Temperature (°C, DB)	Indoor Temperature (°C, WB)															
							14		16		18		19		20		22		24			
							TC(kW)	PI(kW)	TC(kW)	PI(kW)	TC(kW)	PI(kW)	TC(kW)	PI(kW)	TC(kW)	PI(kW)	TC(kW)	PI(kW)	TC(kW)	PI(kW)		
2000	2500	3500	5000	13000	130%	10	10.23	1.96	10.63	2.00	11.04	2.04	11.25	2.06	11.46	2.08	11.88	2.12	12.30	2.17		
						12	10.05	2.01	10.46	2.05	10.87	2.09	11.07	2.12	11.28	2.14	11.70	2.18	12.13	2.22		
						14	9.88	2.06	10.28	2.11	10.69	2.15	10.90	2.17	11.11	2.19	11.53	2.23	11.95	2.27		
						16	9.70	2.12	10.10	2.16	10.51	2.20	10.72	2.22	10.93	2.25	11.35	2.29	11.78	2.33		
						18	9.52	2.17	9.93	2.22	10.34	2.26	10.55	2.28	10.76	2.30	11.18	2.34	11.61	2.39		
						20	9.35	2.23	9.75	2.27	10.17	2.32	10.37	2.34	10.58	2.36	11.01	2.40	11.44	2.45		
						21	9.26	2.26	9.67	2.30	10.08	2.34	10.29	2.37	10.50	2.39	10.92	2.43	11.35	2.47		
						23	9.09	2.32	9.49	2.36	9.91	2.40	10.11	2.42	10.32	2.45	10.75	2.49	11.18	2.53		
						25	8.91	2.37	9.32	2.42	9.73	2.46	9.94	2.48	10.15	2.51	10.58	2.55	11.01	2.59		
						27	8.74	2.43	9.14	2.48	9.56	2.52	9.77	2.54	9.98	2.57	10.41	2.61	10.84	2.65		
						29	8.56	2.49	8.97	2.54	9.39	2.58	9.60	2.61	9.81	2.63	10.24	2.67	10.67	2.72		
						31	8.39	2.56	8.80	2.60	9.21	2.65	9.43	2.67	9.64	2.69	10.07	2.74	10.50	2.78		
						33	8.22	2.62	8.63	2.66	9.04	2.71	9.25	2.73	9.47	2.75	9.90	2.80	10.33	2.84		
						35	8.04	2.68	8.45	2.73	8.87	2.77	9.10	2.79	9.30	2.82	9.73	2.86	10.16	2.91		
						37	7.87	2.75	8.28	2.79	8.70	2.84	8.91	2.86	9.13	2.88	9.56	2.93	9.99	2.98		
						39	7.70	2.81	8.11	2.86	8.53	2.90	8.74	2.93	8.96	2.95	9.39	3.00	9.83	3.04		
42	7.44	2.91	7.86	2.96	8.28	3.01	8.49	3.03	8.70	3.05	9.14	3.10	9.57	3.14								
44	7.27	2.98	7.69	3.03	8.11	3.07	8.32	3.10	8.54	3.12	8.97	3.17	9.41	3.21								
46	7.10	3.05	7.52	3.10	7.94	3.14	8.15	3.17	8.37	3.19	8.80	3.24	9.24	3.28								
2000	2500	3500	6800	14800	148%	10	10.65	1.97	11.07	2.01	11.49	2.06	11.71	2.08	11.92	2.10	12.36	2.14	12.80	2.18		
						12	10.46	2.02	10.88	2.07	11.31	2.11	11.52	2.13	11.74	2.15	12.18	2.19	12.62	2.24		
						14	10.28	2.08	10.70	2.12	11.12	2.16	11.34	2.18	11.56	2.21	12.00	2.25	12.44	2.29		
						16	10.09	2.13	10.52	2.18	10.94	2.22	11.16	2.24	11.38	2.26	11.82	2.30	12.26	2.35		
						18	9.91	2.19	10.33	2.23	10.76	2.27	10.98	2.30	11.19	2.32	11.63	2.36	12.08	2.40		
						20	9.73	2.25	10.15	2.29	10.58	2.33	10.80	2.35	11.01	2.38	11.46	2.42	11.90	2.46		
						21	9.64	2.27	10.06	2.32	10.49	2.36	10.71	2.38	10.92	2.40	11.37	2.45	11.81	2.49		
						23	9.45	2.33	9.88	2.38	10.31	2.42	10.53	2.44	10.74	2.46	11.19	2.51	11.63	2.55		
						25	9.27	2.39	9.70	2.44	10.13	2.48	10.35	2.50	10.56	2.52	11.01	2.57	11.46	2.61		
						27	9.09	2.45	9.52	2.50	9.95	2.54	10.17	2.56	10.39	2.58	10.83	2.63	11.28	2.67		
						29	8.91	2.51	9.34	2.56	9.77	2.60	9.99	2.62	10.21	2.65	10.65	2.69	11.10	2.74		
						31	8.73	2.57	9.16	2.62	9.59	2.66	9.81	2.69	10.03	2.71	10.47	2.75	10.93	2.80		
						33	8.55	2.64	8.98	2.68	9.41	2.73	9.63	2.75	9.85	2.77	10.30	2.82	10.75	2.86		
						35	8.37	2.70	8.80	2.75	9.23	2.79	9.47	2.81	9.67	2.84	10.12	2.88	10.57	2.93		
						37	8.19	2.77	8.62	2.81	9.06	2.86	9.28	2.88	9.50	2.90	9.95	2.95	10.40	3.00		
						39	8.01	2.83	8.44	2.88	8.88	2.93	9.10	2.95	9.32	2.97	9.77	3.02	10.23	3.06		
42	7.75	2.93	8.18	2.98	8.61	3.03	8.84	3.05	9.06	3.07	9.51	3.12	9.96	3.17								
44	7.57	3.00	8.00	3.05	8.44	3.10	8.66	3.12	8.88	3.14	9.33	3.19	9.79	3.24								
46	7.39	3.07	7.82	3.12	8.26	3.17	8.48	3.19	8.71	3.21	9.16	3.26	9.62	3.31								

# 12. Capacity Table

## 12-7. AJ100MCJ5EH/EU

### COOLING

Combination (Capacity Index)				Combination (Total)	Combination (%)	Outdoor Temperature (°C, DB)	Indoor Temperature (°C, WB)															
							14		16		18		19		20		22		24			
							TC(kW)	PI(kW)	TC(kW)	PI(kW)	TC(kW)	PI(kW)	TC(kW)	PI(kW)	TC(kW)	PI(kW)	TC(kW)	PI(kW)	TC(kW)	PI(kW)		
2000	2500	5000	5000	14500	145%	10	10.57	1.96	10.98	2.01	11.41	2.05	11.62	2.07	11.83	2.09	12.27	2.13	12.71	2.17		
						12	10.39	2.02	10.80	2.06	11.22	2.10	11.44	2.12	11.65	2.14	12.09	2.19	12.53	2.23		
						14	10.20	2.07	10.62	2.11	11.04	2.16	11.26	2.18	11.47	2.20	11.91	2.24	12.35	2.28		
						16	10.02	2.13	10.44	2.17	10.86	2.21	11.08	2.23	11.29	2.25	11.73	2.30	12.17	2.34		
						18	9.84	2.18	10.26	2.22	10.68	2.27	10.90	2.29	11.11	2.31	11.55	2.35	11.99	2.40		
						20	9.66	2.24	10.08	2.28	10.50	2.32	10.72	2.35	10.93	2.37	11.37	2.41	11.81	2.45		
						21	9.57	2.27	9.99	2.31	10.41	2.35	10.63	2.37	10.84	2.40	11.28	2.44	11.73	2.48		
						23	9.38	2.32	9.81	2.37	10.23	2.41	10.45	2.43	10.66	2.46	11.10	2.50	11.55	2.54		
						25	9.20	2.38	9.63	2.43	10.05	2.47	10.27	2.49	10.49	2.51	10.93	2.56	11.37	2.60		
						27	9.02	2.44	9.45	2.49	9.87	2.53	10.09	2.55	10.31	2.58	10.75	2.62	11.20	2.66		
						29	8.84	2.50	9.27	2.55	9.70	2.59	9.91	2.62	10.13	2.64	10.57	2.68	11.02	2.73		
						31	8.67	2.57	9.09	2.61	9.52	2.66	9.74	2.68	9.95	2.70	10.40	2.75	10.85	2.79		
						33	8.49	2.63	8.91	2.67	9.34	2.72	9.56	2.74	9.78	2.76	10.22	2.81	10.67	2.85		
						35	8.31	2.69	8.73	2.74	9.16	2.78	9.40	2.80	9.60	2.83	10.05	2.87	10.50	2.92		
						37	8.13	2.76	8.56	2.80	8.99	2.85	9.21	2.87	9.43	2.89	9.87	2.94	10.32	2.99		
						39	7.95	2.82	8.38	2.87	8.81	2.92	9.03	2.94	9.25	2.96	9.70	3.01	10.15	3.05		
42	7.69	2.92	8.12	2.97	8.55	3.02	8.77	3.04	8.99	3.06	9.44	3.11	9.89	3.16								
44	7.51	2.99	7.94	3.04	8.38	3.09	8.60	3.11	8.82	3.13	9.26	3.18	9.72	3.23								
46	7.34	3.06	7.77	3.11	8.20	3.16	8.42	3.18	8.64	3.20	9.09	3.25	9.55	3.30								
2000	2500	5000	6800	16300	163%	10	11.02	2.01	11.45	2.06	11.89	2.10	12.11	2.12	12.34	2.14	12.79	2.19	13.25	2.23		
						12	10.83	2.07	11.26	2.11	11.70	2.15	11.92	2.18	12.15	2.20	12.60	2.24	13.06	2.28		
						14	10.64	2.12	11.07	2.17	11.51	2.21	11.74	2.23	11.96	2.25	12.41	2.30	12.87	2.34		
						16	10.45	2.18	10.88	2.22	11.32	2.27	11.55	2.29	11.77	2.31	12.23	2.35	12.69	2.40		
						18	10.26	2.24	10.69	2.28	11.14	2.32	11.36	2.35	11.58	2.37	12.04	2.41	12.50	2.46		
						20	10.07	2.29	10.50	2.34	10.95	2.38	11.17	2.40	11.40	2.43	11.85	2.47	12.32	2.52		
						21	9.97	2.32	10.41	2.37	10.85	2.41	11.08	2.43	11.30	2.46	11.76	2.50	12.22	2.55		
						23	9.78	2.38	10.22	2.43	10.67	2.47	10.89	2.49	11.12	2.52	11.58	2.56	12.04	2.61		
						25	9.60	2.44	10.03	2.49	10.48	2.53	10.71	2.56	10.93	2.58	11.39	2.62	11.86	2.67		
						27	9.41	2.50	9.85	2.55	10.29	2.59	10.52	2.62	10.75	2.64	11.21	2.69	11.67	2.73		
						29	9.22	2.57	9.66	2.61	10.11	2.66	10.33	2.68	10.56	2.70	11.02	2.75	11.49	2.79		
						31	9.03	2.63	9.48	2.68	9.92	2.72	10.15	2.74	10.38	2.77	10.84	2.81	11.31	2.86		
						33	8.85	2.69	9.29	2.74	9.74	2.79	9.97	2.81	10.19	2.83	10.66	2.88	11.12	2.93		
						35	8.66	2.76	9.11	2.81	9.55	2.85	9.80	2.87	10.01	2.90	10.47	2.95	10.94	2.99		
						37	8.48	2.83	8.92	2.87	9.37	2.92	9.60	2.94	9.83	2.97	10.29	3.01	10.76	3.06		
						39	8.29	2.89	8.74	2.94	9.19	2.99	9.42	3.01	9.65	3.04	10.11	3.08	10.58	3.13		
42	8.02	3.00	8.46	3.04	8.91	3.09	9.14	3.12	9.37	3.14	9.84	3.19	10.31	3.23								
44	7.83	3.07	8.28	3.11	8.73	3.16	8.96	3.19	9.19	3.21	9.66	3.26	10.13	3.31								
46	7.65	3.14	8.10	3.19	8.55	3.23	8.78	3.26	9.01	3.28	9.48	3.33	9.95	3.38								

# 12. Capacity Table

## 12-7. AJ100MCJ5EH/EU

### COOLING

Combination (Capacity Index)				Combination (Total)	Combination (%)	Outdoor Temperature (°C, DB)	Indoor Temperature (°C, WB)															
							14		16		18		19		20		22		24			
							TC(kW)	PI(kW)	TC(kW)	PI(kW)	TC(kW)	PI(kW)	TC(kW)	PI(kW)	TC(kW)	PI(kW)	TC(kW)	PI(kW)	TC(kW)	PI(kW)		
2000	3500	3500	3500	12500	125%	10	795	1.95	11.22	2.00	11.43	2.05	11.56	2.07	11.70	2.10	12.03	2.14	12.41	2.18		
						12	795	2.00	10.91	2.05	11.14	2.10	11.28	2.12	11.43	2.14	11.77	2.19	12.17	2.23		
						14	795	2.05	10.62	2.10	10.86	2.15	11.01	2.17	11.17	2.19	11.52	2.24	11.94	2.28		
						16	795	2.10	10.34	2.15	10.60	2.20	10.75	2.22	10.92	2.25	11.29	2.29	11.72	2.33		
						18	795	2.16	10.07	2.21	10.35	2.25	10.51	2.28	10.68	2.30	11.07	2.34	11.52	2.38		
						20	795	2.21	9.82	2.26	10.11	2.31	10.27	2.33	10.46	2.35	10.86	2.40	11.32	2.44		
						21	795	2.24	9.70	2.29	9.99	2.34	10.16	2.36	10.35	2.38	10.76	2.42	11.23	2.47		
						23	795	2.30	9.46	2.35	9.77	2.39	9.95	2.42	10.14	2.44	10.57	2.48	11.06	2.52		
						25	795	2.36	9.23	2.40	9.56	2.45	9.75	2.47	9.95	2.50	10.39	2.54	10.89	2.58		
						27	795	2.42	9.02	2.46	9.37	2.51	9.56	2.53	9.77	2.56	10.23	2.60	10.75	2.64		
						29	795	2.48	8.82	2.53	9.18	2.57	9.39	2.59	9.60	2.62	10.08	2.66	10.61	2.70		
						31	795	2.54	8.64	2.59	9.01	2.63	9.22	2.66	9.45	2.68	9.94	2.72	10.48	2.76		
						33	795	2.61	8.46	2.65	8.86	2.70	9.07	2.72	9.30	2.74	9.81	2.79	10.37	2.83		
						35	795	2.67	8.30	2.72	8.71	2.76	9.00	2.78	9.17	2.81	9.69	2.85	10.27	2.89		
						37	795	2.74	8.15	2.79	8.58	2.83	8.81	2.85	9.06	2.88	9.59	2.92	10.19	2.96		
						39	795	2.81	8.02	2.86	8.46	2.90	8.70	2.92	8.95	2.94	9.50	2.99	10.11	3.03		
42	795	2.91	7.84	2.96	8.30	3.01	8.55	3.03	8.82	3.05	9.39	3.09	10.02	3.13								
44	795	2.99	7.73	3.03	8.21	3.08	8.47	3.10	8.74	3.12	9.33	3.16	9.98	3.20								
46	795	3.06	7.64	3.11	8.13	3.15	8.40	3.17	8.68	3.19	9.29	3.24	9.95	3.28								
2000	3500	3500	5000	14000	140%	10	10.48	1.99	10.89	2.04	11.31	2.08	11.52	2.10	11.73	2.12	12.16	2.16	12.60	2.21		
						12	10.30	2.05	10.71	2.09	11.13	2.13	11.34	2.15	11.55	2.17	11.98	2.22	12.42	2.26		
						14	10.12	2.10	10.53	2.14	10.95	2.19	11.16	2.21	11.37	2.23	11.81	2.27	12.24	2.32		
						16	9.93	2.16	10.35	2.20	10.77	2.24	10.98	2.26	11.20	2.29	11.63	2.33	12.07	2.37		
						18	9.75	2.21	10.17	2.26	10.59	2.30	10.80	2.32	11.02	2.34	11.45	2.39	11.89	2.43		
						20	9.57	2.27	9.99	2.31	10.41	2.36	10.62	2.38	10.84	2.40	11.27	2.45	11.71	2.49		
						21	9.48	2.30	9.90	2.34	10.32	2.39	10.54	2.41	10.75	2.43	11.19	2.47	11.63	2.52		
						23	9.30	2.36	9.72	2.40	10.14	2.45	10.36	2.47	10.57	2.49	11.01	2.53	11.45	2.58		
						25	9.13	2.42	9.54	2.46	9.97	2.51	10.18	2.53	10.40	2.55	10.83	2.60	11.28	2.64		
						27	8.95	2.48	9.37	2.52	9.79	2.57	10.00	2.59	10.22	2.61	10.66	2.66	11.10	2.70		
						29	8.77	2.54	9.19	2.58	9.61	2.63	9.83	2.65	10.05	2.68	10.48	2.72	10.93	2.77		
						31	8.59	2.60	9.01	2.65	9.44	2.69	9.65	2.72	9.87	2.74	10.31	2.78	10.75	2.83		
						33	8.41	2.67	8.84	2.71	9.26	2.76	9.48	2.78	9.70	2.80	10.13	2.85	10.58	2.89		
						35	8.24	2.73	8.66	2.78	9.09	2.82	9.32	2.84	9.52	2.87	9.96	2.92	10.41	2.96		
						37	8.06	2.80	8.48	2.84	8.91	2.89	9.13	2.91	9.35	2.94	9.79	2.98	10.24	3.03		
						39	7.89	2.86	8.31	2.91	8.74	2.96	8.96	2.98	9.17	3.00	9.62	3.05	10.06	3.10		
42	7.62	2.97	8.05	3.01	8.48	3.06	8.70	3.08	8.91	3.11	9.36	3.15	9.81	3.20								
44	7.45	3.03	7.87	3.08	8.30	3.13	8.52	3.15	8.74	3.18	9.19	3.22	9.64	3.27								
46	7.27	3.11	7.70	3.15	8.13	3.20	8.35	3.22	8.57	3.25	9.01	3.30	9.47	3.34								

# 12. Capacity Table

## 12-7. AJ100MCJ5EH/EU

### COOLING

Combination (Capacity Index)				Combination (Total)	Combination (%)	Outdoor Temperature (°C, DB)	Indoor Temperature (°C, WB)													
							14		16		18		19		20		22		24	
							TC(kW)	PI(kW)	TC(kW)	PI(kW)	TC(kW)	PI(kW)	TC(kW)	PI(kW)	TC(kW)	PI(kW)	TC(kW)	PI(kW)	TC(kW)	PI(kW)
2000	3500	3500	6800	15800	158%	10	11.02	2.01	11.45	2.05	11.89	2.09	12.11	2.11	12.34	2.14	12.79	2.18	13.25	2.22
						12	10.83	2.06	11.26	2.10	11.70	2.15	11.92	2.17	12.15	2.19	12.60	2.23	13.06	2.28
						14	10.64	2.12	11.07	2.16	11.51	2.20	11.74	2.22	11.96	2.25	12.41	2.29	12.87	2.33
						16	10.45	2.17	10.88	2.21	11.32	2.26	11.55	2.28	11.77	2.30	12.23	2.35	12.69	2.39
						18	10.26	2.23	10.69	2.27	11.14	2.32	11.36	2.34	11.58	2.36	12.04	2.40	12.50	2.45
						20	10.07	2.29	10.50	2.33	10.95	2.37	11.17	2.40	11.40	2.42	11.85	2.46	12.32	2.51
						21	9.97	2.31	10.41	2.36	10.85	2.40	11.08	2.43	11.30	2.45	11.76	2.49	12.22	2.54
						23	9.78	2.37	10.22	2.42	10.67	2.46	10.89	2.49	11.12	2.51	11.58	2.55	12.04	2.60
						25	9.60	2.43	10.03	2.48	10.48	2.52	10.71	2.55	10.93	2.57	11.39	2.61	11.86	2.66
						27	9.41	2.50	9.85	2.54	10.29	2.59	10.52	2.61	10.75	2.63	11.21	2.68	11.67	2.72
						29	9.22	2.56	9.66	2.60	10.11	2.65	10.33	2.67	10.56	2.69	11.02	2.74	11.49	2.79
						31	9.03	2.62	9.48	2.67	9.92	2.71	10.15	2.74	10.38	2.76	10.84	2.80	11.31	2.85
						33	8.85	2.69	9.29	2.73	9.74	2.78	9.97	2.80	10.19	2.82	10.66	2.87	11.12	2.92
						35	8.66	2.75	9.11	2.80	9.55	2.84	9.80	2.86	10.01	2.89	10.47	2.94	10.94	2.98
						37	8.48	2.82	8.92	2.86	9.37	2.91	9.60	2.93	9.83	2.96	10.29	3.00	10.76	3.05
						39	8.29	2.88	8.74	2.93	9.19	2.98	9.42	3.00	9.65	3.02	10.11	3.07	10.58	3.12
42	8.02	2.99	8.46	3.03	8.91	3.08	9.14	3.10	9.37	3.13	9.84	3.18	10.31	3.22						
44	7.83	3.06	8.28	3.10	8.73	3.15	8.96	3.18	9.19	3.20	9.66	3.25	10.13	3.29						
46	7.65	3.13	8.10	3.17	8.55	3.22	8.78	3.25	9.01	3.27	9.48	3.32	9.95	3.37						
2000	3500	5000	5000	15500	155%	10	11.02	2.00	11.45	2.04	11.89	2.08	12.11	2.11	12.34	2.13	12.79	2.17	13.25	2.21
						12	10.83	2.05	11.26	2.10	11.70	2.14	11.92	2.16	12.15	2.18	12.60	2.22	13.06	2.27
						14	10.64	2.11	11.07	2.15	11.51	2.19	11.74	2.22	11.96	2.24	12.41	2.28	12.87	2.32
						16	10.45	2.16	10.88	2.21	11.32	2.25	11.55	2.27	11.77	2.29	12.23	2.34	12.69	2.38
						18	10.26	2.22	10.69	2.26	11.14	2.31	11.36	2.33	11.58	2.35	12.04	2.39	12.50	2.44
						20	10.07	2.28	10.50	2.32	10.95	2.37	11.17	2.39	11.40	2.41	11.85	2.45	12.32	2.50
						21	9.97	2.31	10.41	2.35	10.85	2.39	11.08	2.42	11.30	2.44	11.76	2.48	12.22	2.53
						23	9.78	2.37	10.22	2.41	10.67	2.45	10.89	2.48	11.12	2.50	11.58	2.54	12.04	2.59
						25	9.60	2.43	10.03	2.47	10.48	2.52	10.71	2.54	10.93	2.56	11.39	2.60	11.86	2.65
						27	9.41	2.49	9.85	2.53	10.29	2.58	10.52	2.60	10.75	2.62	11.21	2.67	11.67	2.71
						29	9.22	2.55	9.66	2.59	10.11	2.64	10.33	2.66	10.56	2.68	11.02	2.73	11.49	2.78
						31	9.03	2.61	9.48	2.66	9.92	2.70	10.15	2.73	10.38	2.75	10.84	2.79	11.31	2.84
						33	8.85	2.68	9.29	2.72	9.74	2.77	9.97	2.79	10.19	2.81	10.66	2.86	11.12	2.91
						35	8.66	2.74	9.11	2.79	9.55	2.83	9.80	2.85	10.01	2.88	10.47	2.93	10.94	2.97
						37	8.48	2.81	8.92	2.85	9.37	2.90	9.60	2.92	9.83	2.95	10.29	2.99	10.76	3.04
						39	8.29	2.87	8.74	2.92	9.19	2.97	9.42	2.99	9.65	3.01	10.11	3.06	10.58	3.11
42	8.02	2.98	8.46	3.02	8.91	3.07	9.14	3.09	9.37	3.12	9.84	3.16	10.31	3.21						
44	7.83	3.05	8.28	3.09	8.73	3.14	8.96	3.16	9.19	3.19	9.66	3.24	10.13	3.28						
46	7.65	3.12	8.10	3.16	8.55	3.21	8.78	3.24	9.01	3.26	9.48	3.31	9.95	3.35						

# 12. Capacity Table

## 12-7. AJ100MCJ5EH/EU

### COOLING

Combination (Capacity Index)				Combination (Total)	Combination (%)	Outdoor Temperature (°C, DB)	Indoor Temperature (°C, WB)															
							14		16		18		19		20		22		24			
							TC(kW)	PI(kW)	TC(kW)	PI(kW)	TC(kW)	PI(kW)	TC(kW)	PI(kW)	TC(kW)	PI(kW)	TC(kW)	PI(kW)	TC(kW)	PI(kW)		
2000	3500	5000	6800	17300	173%	10	11.02	2.05	11.45	2.09	11.89	2.14	12.11	2.16	12.34	2.18	12.79	2.22	13.25	2.27		
						12	10.83	2.10	11.26	2.15	11.70	2.19	11.92	2.21	12.15	2.24	12.60	2.28	13.06	2.32		
						14	10.64	2.16	11.07	2.20	11.51	2.25	11.74	2.27	11.96	2.29	12.41	2.34	12.87	2.38		
						16	10.45	2.22	10.88	2.26	11.32	2.31	11.55	2.33	11.77	2.35	12.23	2.39	12.69	2.44		
						18	10.26	2.27	10.69	2.32	11.14	2.36	11.36	2.39	11.58	2.41	12.04	2.45	12.50	2.50		
						20	10.07	2.33	10.50	2.38	10.95	2.42	11.17	2.45	11.40	2.47	11.85	2.51	12.32	2.56		
						21	9.97	2.36	10.41	2.41	10.85	2.45	11.08	2.48	11.30	2.50	11.76	2.54	12.22	2.59		
						23	9.78	2.42	10.22	2.47	10.67	2.51	10.89	2.54	11.12	2.56	11.58	2.61	12.04	2.65		
						25	9.60	2.49	10.03	2.53	10.48	2.58	10.71	2.60	10.93	2.62	11.39	2.67	11.86	2.71		
						27	9.41	2.55	9.85	2.59	10.29	2.64	10.52	2.66	10.75	2.69	11.21	2.73	11.67	2.78		
						29	9.22	2.61	9.66	2.66	10.11	2.70	10.33	2.73	10.56	2.75	11.02	2.80	11.49	2.84		
						31	9.03	2.68	9.48	2.72	9.92	2.77	10.15	2.79	10.38	2.82	10.84	2.86	11.31	2.91		
						33	8.85	2.74	9.29	2.79	9.74	2.84	9.97	2.86	10.19	2.88	10.66	2.93	11.12	2.98		
						35	8.66	2.81	9.11	2.86	9.55	2.90	9.80	2.92	10.01	2.95	10.47	3.00	10.94	3.04		
						37	8.48	2.88	8.92	2.92	9.37	2.97	9.60	2.99	9.83	3.02	10.29	3.07	10.76	3.11		
						39	8.29	2.94	8.74	2.99	9.19	3.04	9.42	3.06	9.65	3.09	10.11	3.14	10.58	3.18		
42	8.02	3.05	8.46	3.10	8.91	3.15	9.14	3.17	9.37	3.19	9.84	3.24	10.31	3.29								
44	7.83	3.12	8.28	3.17	8.73	3.22	8.96	3.24	9.19	3.27	9.66	3.31	10.13	3.36								
46	7.65	3.19	8.10	3.24	8.55	3.29	8.78	3.31	9.01	3.34	9.48	3.39	9.95	3.44								
2000	5000	5000	5000	17000	170%	10	11.02	2.05	11.45	2.09	11.89	2.14	12.11	2.16	12.34	2.18	12.79	2.22	13.25	2.27		
						12	10.83	2.10	11.26	2.15	11.70	2.19	11.92	2.21	12.15	2.24	12.60	2.28	13.06	2.32		
						14	10.64	2.16	11.07	2.20	11.51	2.25	11.74	2.27	11.96	2.29	12.41	2.34	12.87	2.38		
						16	10.45	2.22	10.88	2.26	11.32	2.31	11.55	2.33	11.77	2.35	12.23	2.39	12.69	2.44		
						18	10.26	2.27	10.69	2.32	11.14	2.36	11.36	2.39	11.58	2.41	12.04	2.45	12.50	2.50		
						20	10.07	2.33	10.50	2.38	10.95	2.42	11.17	2.45	11.40	2.47	11.85	2.51	12.32	2.56		
						21	9.97	2.36	10.41	2.41	10.85	2.45	11.08	2.48	11.30	2.50	11.76	2.54	12.22	2.59		
						23	9.78	2.42	10.22	2.47	10.67	2.51	10.89	2.54	11.12	2.56	11.58	2.61	12.04	2.65		
						25	9.60	2.49	10.03	2.53	10.48	2.58	10.71	2.60	10.93	2.62	11.39	2.67	11.86	2.71		
						27	9.41	2.55	9.85	2.59	10.29	2.64	10.52	2.66	10.75	2.69	11.21	2.73	11.67	2.78		
						29	9.22	2.61	9.66	2.66	10.11	2.70	10.33	2.73	10.56	2.75	11.02	2.80	11.49	2.84		
						31	9.03	2.68	9.48	2.72	9.92	2.77	10.15	2.79	10.38	2.82	10.84	2.86	11.31	2.91		
						33	8.85	2.74	9.29	2.79	9.74	2.84	9.97	2.86	10.19	2.88	10.66	2.93	11.12	2.98		
						35	8.66	2.81	9.11	2.86	9.55	2.90	9.80	2.92	10.01	2.95	10.47	3.00	10.94	3.04		
						37	8.48	2.88	8.92	2.92	9.37	2.97	9.60	2.99	9.83	3.02	10.29	3.07	10.76	3.11		
						39	8.29	2.94	8.74	2.99	9.19	3.04	9.42	3.06	9.65	3.09	10.11	3.14	10.58	3.18		
42	8.02	3.05	8.46	3.10	8.91	3.15	9.14	3.17	9.37	3.19	9.84	3.24	10.31	3.29								
44	7.83	3.12	8.28	3.17	8.73	3.22	8.96	3.24	9.19	3.27	9.66	3.31	10.13	3.36								
46	7.65	3.19	8.10	3.24	8.55	3.29	8.78	3.31	9.01	3.34	9.48	3.39	9.95	3.44								

# 12. Capacity Table

## 12-7. AJ100MCJ5EH/EU

### COOLING

Combination (Capacity Index)				Combination (Total)	Combination (%)	Outdoor Temperature (°C, DB)	Indoor Temperature (°C, WB)													
							14		16		18		19		20		22		24	
							TC(kW)	PI(kW)	TC(kW)	PI(kW)	TC(kW)	PI(kW)	TC(kW)	PI(kW)	TC(kW)	PI(kW)	TC(kW)	PI(kW)	TC(kW)	PI(kW)
2500	2500	2500	2500	10000	100%	10	781	1.84	11.02	1.89	11.23	1.93	11.35	1.95	11.49	1.98	11.82	2.02	12.19	2.06
						12	781	1.89	10.72	1.93	10.94	1.98	11.08	2.00	11.22	2.02	11.56	2.06	11.95	2.10
						14	781	1.93	10.43	1.98	10.67	2.03	10.81	2.05	10.97	2.07	11.32	2.11	11.73	2.15
						16	781	1.98	10.16	2.03	10.41	2.07	10.56	2.10	10.72	2.12	11.09	2.16	11.51	2.20
						18	781	2.03	9.89	2.08	10.16	2.12	10.32	2.15	10.49	2.17	10.87	2.21	11.31	2.25
						20	781	2.09	9.64	2.13	9.93	2.18	10.09	2.20	10.27	2.22	10.67	2.26	11.12	2.30
						21	781	2.11	9.52	2.16	9.82	2.20	9.98	2.22	10.16	2.24	10.57	2.29	11.03	2.32
						23	781	2.17	9.29	2.21	9.60	2.26	9.77	2.28	9.96	2.30	10.38	2.34	10.86	2.38
						25	781	2.22	9.07	2.27	9.39	2.31	9.58	2.33	9.77	2.35	10.21	2.39	10.70	2.43
						27	781	2.28	8.86	2.32	9.20	2.37	9.39	2.39	9.60	2.41	10.05	2.45	10.55	2.49
						29	781	2.34	8.67	2.38	9.02	2.42	9.22	2.45	9.43	2.47	9.90	2.51	10.42	2.54
						31	781	2.40	8.48	2.44	8.85	2.48	9.06	2.50	9.28	2.52	9.76	2.56	10.30	2.60
						33	781	2.46	8.31	2.50	8.70	2.54	8.91	2.56	9.14	2.59	9.64	2.62	10.19	2.66
						35	781	2.52	8.16	2.56	8.55	2.61	8.84	2.62	9.01	2.65	9.52	2.69	10.09	2.72
						37	781	2.58	8.01	2.63	8.42	2.67	8.65	2.69	8.89	2.71	9.42	2.75	10.01	2.79
						39	781	2.65	7.87	2.69	8.30	2.73	8.54	2.75	8.79	2.77	9.33	2.81	9.93	2.85
42	781	2.75	7.70	2.79	8.15	2.83	8.40	2.85	8.66	2.87	9.22	2.91	9.85	2.95						
44	781	2.82	7.59	2.86	8.06	2.90	8.32	2.92	8.59	2.94	9.17	2.98	9.80	3.02						
46	781	2.89	7.50	2.93	7.99	2.97	8.25	2.99	8.53	3.01	9.12	3.05	9.77	3.09						
2500	2500	2500	3500	11000	110%	10	770	1.88	10.86	1.92	11.06	1.97	11.19	1.99	11.32	2.01	11.64	2.06	12.01	2.10
						12	770	1.92	10.56	1.97	10.78	2.02	10.91	2.04	11.06	2.06	11.39	2.10	11.78	2.14
						14	770	1.97	10.28	2.02	10.51	2.06	10.65	2.09	10.81	2.11	11.15	2.15	11.56	2.19
						16	770	2.02	10.01	2.07	10.26	2.11	10.40	2.14	10.56	2.16	10.93	2.20	11.34	2.24
						18	770	2.07	9.75	2.12	10.01	2.16	10.17	2.19	10.34	2.21	10.71	2.25	11.15	2.29
						20	770	2.13	9.50	2.17	9.78	2.22	9.94	2.24	10.12	2.26	10.51	2.30	10.96	2.34
						21	770	2.15	9.38	2.20	9.67	2.24	9.84	2.27	10.01	2.29	10.41	2.33	10.87	2.37
						23	770	2.21	9.15	2.25	9.46	2.30	9.63	2.32	9.82	2.34	10.23	2.38	10.70	2.42
						25	770	2.26	8.94	2.31	9.26	2.35	9.44	2.38	9.63	2.40	10.06	2.44	10.54	2.48
						27	770	2.32	8.73	2.37	9.07	2.41	9.25	2.43	9.45	2.45	9.90	2.50	10.40	2.54
						29	770	2.38	8.54	2.43	8.89	2.47	9.08	2.49	9.29	2.51	9.75	2.55	10.27	2.59
						31	770	2.44	8.36	2.49	8.72	2.53	8.93	2.55	9.14	2.57	9.62	2.61	10.15	2.65
						33	770	2.50	8.19	2.55	8.57	2.59	8.78	2.61	9.00	2.63	9.49	2.68	10.04	2.71
						35	770	2.57	8.04	2.61	8.43	2.66	8.71	2.67	8.88	2.70	9.38	2.74	9.94	2.78
						37	770	2.63	7.89	2.68	8.30	2.72	8.52	2.74	8.76	2.76	9.28	2.80	9.86	2.84
						39	770	2.70	7.76	2.74	8.18	2.79	8.42	2.81	8.66	2.83	9.20	2.87	9.79	2.91
42	770	2.80	7.58	2.84	8.03	2.89	8.27	2.91	8.53	2.93	9.09	2.97	9.70	3.01						
44	770	2.87	7.48	2.91	7.94	2.96	8.19	2.98	8.46	3.00	9.03	3.04	9.66	3.08						
46	770	2.94	7.39	2.98	7.87	3.03	8.13	3.05	8.40	3.07	8.99	3.11	9.63	3.15						

# 12. Capacity Table

## 12-7. AJ100MCJ5EH/EU

### COOLING

Combination (Capacity Index)				Combination (Total)	Combination (%)	Outdoor Temperature (°C, DB)	Indoor Temperature (°C, WB)															
							14		16		18		19		20		22		24			
							TC(kW)	PI(kW)	TC(kW)	PI(kW)	TC(kW)	PI(kW)	TC(kW)	PI(kW)	TC(kW)	PI(kW)	TC(kW)	PI(kW)	TC(kW)	PI(kW)		
2500	2500	2500	5000	12500	125%	10	795	195	11.22	2.00	11.43	2.05	11.56	2.07	11.70	2.10	12.03	2.14	12.41	2.18		
						12	795	2.00	10.91	2.05	11.14	2.10	11.28	2.12	11.43	2.14	11.77	2.19	12.17	2.23		
						14	795	2.05	10.62	2.10	10.86	2.15	11.01	2.17	11.17	2.19	11.52	2.24	11.94	2.28		
						16	795	2.10	10.34	2.15	10.60	2.20	10.75	2.22	10.92	2.25	11.29	2.29	11.72	2.33		
						18	795	2.16	10.07	2.21	10.35	2.25	10.51	2.28	10.68	2.30	11.07	2.34	11.52	2.38		
						20	795	2.21	9.82	2.26	10.11	2.31	10.27	2.33	10.46	2.35	10.86	2.40	11.32	2.44		
						21	795	2.24	9.70	2.29	9.99	2.34	10.16	2.36	10.35	2.38	10.76	2.42	11.23	2.47		
						23	795	2.30	9.46	2.35	9.77	2.39	9.95	2.42	10.14	2.44	10.57	2.48	11.06	2.52		
						25	795	2.36	9.23	2.40	9.56	2.45	9.75	2.47	9.95	2.50	10.39	2.54	10.89	2.58		
						27	795	2.42	9.02	2.46	9.37	2.51	9.56	2.53	9.77	2.56	10.23	2.60	10.75	2.64		
						29	795	2.48	8.82	2.53	9.18	2.57	9.39	2.59	9.60	2.62	10.08	2.66	10.61	2.70		
						31	795	2.54	8.64	2.59	9.01	2.63	9.22	2.66	9.45	2.68	9.94	2.72	10.48	2.76		
						33	795	2.61	8.46	2.65	8.86	2.70	9.07	2.72	9.30	2.74	9.81	2.79	10.37	2.83		
						35	795	2.67	8.30	2.72	8.71	2.76	8.90	2.78	9.17	2.81	9.69	2.85	10.27	2.89		
						37	795	2.74	8.15	2.79	8.58	2.83	8.81	2.85	9.06	2.88	9.59	2.92	10.19	2.96		
						39	795	2.81	8.02	2.86	8.46	2.90	8.70	2.92	8.95	2.94	9.50	2.99	10.11	3.03		
42	795	2.91	7.84	2.96	8.30	3.01	8.55	3.03	8.82	3.05	9.39	3.09	10.02	3.13								
44	795	2.99	7.73	3.03	8.21	3.08	8.47	3.10	8.74	3.12	9.33	3.16	9.98	3.20								
46	795	3.06	7.64	3.11	8.13	3.15	8.40	3.17	8.68	3.19	9.29	3.24	9.95	3.28								
2500	2500	2500	6800	14300	143%	10	10.55	193	10.96	1.97	11.38	2.01	11.59	2.03	11.81	2.05	12.24	2.09	12.68	2.14		
						12	10.36	1.98	10.78	2.02	11.20	2.06	11.41	2.08	11.63	2.11	12.06	2.15	12.50	2.19		
						14	10.18	2.03	10.60	2.08	11.02	2.12	11.23	2.14	11.45	2.16	11.88	2.20	12.32	2.24		
						16	10.00	2.09	10.42	2.13	10.84	2.17	11.05	2.19	11.27	2.21	11.70	2.26	12.14	2.30		
						18	9.82	2.14	10.23	2.18	10.66	2.23	10.87	2.25	11.09	2.27	11.52	2.31	11.97	2.35		
						20	9.64	2.20	10.05	2.24	10.48	2.28	10.69	2.30	10.91	2.32	11.35	2.37	11.79	2.41		
						21	9.55	2.23	9.96	2.27	10.39	2.31	10.60	2.33	10.82	2.35	11.26	2.40	11.70	2.44		
						23	9.36	2.28	9.78	2.33	10.21	2.37	10.43	2.39	10.64	2.41	11.08	2.45	11.52	2.50		
						25	9.18	2.34	9.60	2.38	10.03	2.43	10.25	2.45	10.46	2.47	10.90	2.51	11.35	2.56		
						27	9.00	2.40	9.43	2.44	9.85	2.49	10.07	2.51	10.29	2.53	10.73	2.57	11.17	2.62		
						29	8.83	2.46	9.25	2.50	9.68	2.55	9.89	2.57	10.11	2.59	10.55	2.63	11.00	2.68		
						31	8.65	2.52	9.07	2.56	9.50	2.61	9.72	2.63	9.93	2.65	10.37	2.70	10.82	2.74		
						33	8.47	2.58	8.89	2.63	9.32	2.67	9.54	2.69	9.76	2.71	10.20	2.76	10.65	2.80		
						35	8.29	2.64	8.72	2.69	9.15	2.73	9.38	2.75	9.58	2.78	10.03	2.82	10.47	2.87		
						37	8.11	2.71	8.54	2.75	8.97	2.80	9.19	2.82	9.41	2.84	9.85	2.89	10.30	2.93		
						39	7.94	2.77	8.36	2.82	8.79	2.86	9.01	2.89	9.23	2.91	9.68	2.95	10.13	3.00		
42	7.67	2.87	8.10	2.92	8.53	2.96	8.75	2.99	8.97	3.01	9.42	3.05	9.87	3.10								
44	7.50	2.94	7.92	2.98	8.36	3.03	8.58	3.05	8.80	3.08	9.24	3.12	9.70	3.17								
46	7.32	3.01	7.75	3.05	8.18	3.10	8.40	3.12	8.63	3.14	9.07	3.19	9.53	3.24								



# 12. Capacity Table

## 12-7. AJ100MCJ5EH/EU

### COOLING

Combination (Capacity Index)				Combination (Total)	Combination (%)	Outdoor Temperature (°C, DB)	Indoor Temperature (°C, WB)															
							14		16		18		19		20		22		24			
							TC(kW)	PI(kW)	TC(kW)	PI(kW)	TC(kW)	PI(kW)	TC(kW)	PI(kW)	TC(kW)	PI(kW)	TC(kW)	PI(kW)	TC(kW)	PI(kW)		
2500	2500	3500	3500	12000	120%	10	787	1.91	11.09	1.96	11.30	2.01	11.43	2.03	11.57	2.05	11.90	2.09	12.28	2.14		
						12	787	1.96	10.79	2.01	11.02	2.05	11.15	2.08	11.30	2.10	11.64	2.14	12.04	2.18		
						14	787	2.01	10.50	2.06	10.74	2.10	10.89	2.13	11.04	2.15	11.40	2.19	11.81	2.23		
						16	787	2.06	10.23	2.11	10.48	2.15	10.63	2.18	10.80	2.20	11.17	2.24	11.59	2.28		
						18	787	2.11	9.96	2.16	10.23	2.21	10.39	2.23	10.56	2.25	10.95	2.29	11.39	2.33		
						20	787	2.17	9.71	2.21	10.00	2.26	10.16	2.28	10.34	2.30	10.74	2.35	11.20	2.39		
						21	787	2.19	9.59	2.24	9.88	2.29	10.05	2.31	10.23	2.33	10.64	2.37	11.11	2.41		
						23	787	2.25	9.35	2.30	9.66	2.34	9.84	2.36	10.03	2.39	10.45	2.43	10.93	2.47		
						25	787	2.31	9.13	2.35	9.46	2.40	9.64	2.42	9.84	2.44	10.28	2.48	10.77	2.52		
						27	787	2.36	8.92	2.41	9.26	2.46	9.46	2.48	9.66	2.50	10.12	2.54	10.63	2.58		
						29	787	2.43	8.73	2.47	9.08	2.52	9.28	2.54	9.50	2.56	9.96	2.60	10.49	2.64		
						31	787	2.49	8.54	2.53	8.91	2.58	9.12	2.60	9.34	2.62	9.83	2.66	10.37	2.70		
						33	787	2.55	8.37	2.60	8.76	2.64	8.97	2.66	9.20	2.68	9.70	2.73	10.26	2.76		
						35	787	2.61	8.21	2.66	8.61	2.71	8.90	2.72	9.07	2.75	9.59	2.79	10.16	2.83		
						37	787	2.68	8.06	2.73	8.48	2.77	8.71	2.79	8.95	2.81	9.49	2.85	10.07	2.89		
						39	787	2.75	7.93	2.79	8.36	2.84	8.60	2.86	8.85	2.88	9.40	2.92	10.00	2.96		
42	787	2.85	7.75	2.90	8.20	2.94	8.45	2.96	8.72	2.98	9.29	3.02	9.91	3.06								
44	787	2.92	7.65	2.97	8.12	3.01	8.37	3.03	8.64	3.05	9.23	3.09	9.87	3.13								
46	787	3.00	7.55	3.04	8.04	3.08	8.30	3.11	8.58	3.13	9.18	3.17	9.84	3.20								
2500	2500	3500	5000	13500	135%	10	10.34	1.99	10.75	2.03	11.16	2.07	11.37	2.09	11.58	2.11	12.01	2.15	12.44	2.20		
						12	10.16	2.04	10.57	2.08	10.99	2.12	11.19	2.15	11.40	2.17	11.83	2.21	12.26	2.25		
						14	9.99	2.09	10.39	2.14	10.81	2.18	11.02	2.20	11.23	2.22	11.65	2.26	12.09	2.31		
						16	9.81	2.15	10.22	2.19	10.63	2.23	10.84	2.26	11.05	2.28	11.48	2.32	11.91	2.36		
						18	9.63	2.20	10.04	2.25	10.45	2.29	10.66	2.31	10.88	2.33	11.30	2.38	11.74	2.42		
						20	9.45	2.26	9.86	2.31	10.28	2.35	10.49	2.37	10.70	2.39	11.13	2.44	11.56	2.48		
						21	9.36	2.29	9.77	2.33	10.19	2.38	10.40	2.40	10.61	2.42	11.04	2.47	11.48	2.51		
						23	9.19	2.35	9.60	2.39	10.01	2.44	10.22	2.46	10.44	2.48	10.87	2.53	11.30	2.57		
						25	9.01	2.41	9.42	2.45	9.84	2.50	10.05	2.52	10.26	2.54	10.69	2.59	11.13	2.63		
						27	8.83	2.47	9.25	2.51	9.66	2.56	9.88	2.58	10.09	2.60	10.52	2.65	10.96	2.69		
						29	8.66	2.53	9.07	2.58	9.49	2.62	9.70	2.64	9.92	2.67	10.35	2.71	10.79	2.76		
						31	8.48	2.59	8.90	2.64	9.32	2.68	9.53	2.71	9.74	2.73	10.18	2.77	10.61	2.82		
						33	8.31	2.66	8.72	2.70	9.14	2.75	9.36	2.77	9.57	2.79	10.00	2.84	10.44	2.88		
						35	8.13	2.72	8.55	2.77	8.97	2.81	9.20	2.83	9.40	2.86	9.83	2.90	10.27	2.95		
						37	7.96	2.79	8.37	2.83	8.80	2.88	9.01	2.90	9.23	2.93	9.66	2.97	10.10	3.02		
						39	7.78	2.85	8.20	2.90	8.63	2.95	8.84	2.97	9.06	2.99	9.49	3.04	9.93	3.09		
42	7.52	2.96	7.94	3.00	8.37	3.05	8.58	3.07	8.80	3.10	9.24	3.14	9.68	3.19								
44	7.35	3.02	7.77	3.07	8.20	3.12	8.41	3.14	8.63	3.17	9.07	3.21	9.51	3.26								
46	7.18	3.09	7.60	3.14	8.03	3.19	8.24	3.21	8.46	3.24	8.90	3.28	9.34	3.33								

# 12. Capacity Table

## 12-7. AJ100MCJ5EH/EU

### COOLING

Combination (Capacity Index)				Combination (Total)	Combination (%)	Outdoor Temperature (°C, DB)	Indoor Temperature (°C, WB)															
							14		16		18		19		20		22		24			
							TC(kW)	PI(kW)	TC(kW)	PI(kW)	TC(kW)	PI(kW)	TC(kW)	PI(kW)	TC(kW)	PI(kW)	TC(kW)	PI(kW)	TC(kW)	PI(kW)		
2500	2500	3500	6800	15300	153%	10	11.02	1.97	11.45	2.01	11.89	2.06	12.11	2.08	12.34	2.10	12.79	2.14	13.25	2.18		
						12	10.83	2.02	11.26	2.07	11.70	2.11	11.92	2.13	12.15	2.15	12.60	2.19	13.06	2.24		
						14	10.64	2.08	11.07	2.12	11.51	2.16	11.74	2.18	11.96	2.21	12.41	2.25	12.87	2.29		
						16	10.45	2.13	10.88	2.18	11.32	2.22	11.55	2.24	11.77	2.26	12.23	2.30	12.69	2.35		
						18	10.26	2.19	10.69	2.23	11.14	2.27	11.36	2.30	11.58	2.32	12.04	2.36	12.50	2.40		
						20	10.07	2.25	10.50	2.29	10.95	2.33	11.17	2.35	11.40	2.38	11.85	2.42	12.32	2.46		
						21	9.97	2.27	10.41	2.32	10.85	2.36	11.08	2.38	11.30	2.40	11.76	2.45	12.22	2.49		
						23	9.78	2.33	10.22	2.38	10.67	2.42	10.89	2.44	11.12	2.46	11.58	2.51	12.04	2.55		
						25	9.60	2.39	10.03	2.44	10.48	2.48	10.71	2.50	10.93	2.52	11.39	2.57	11.86	2.61		
						27	9.41	2.45	9.85	2.50	10.29	2.54	10.52	2.56	10.75	2.58	11.21	2.63	11.67	2.67		
						29	9.22	2.51	9.66	2.56	10.11	2.60	10.33	2.62	10.56	2.65	11.02	2.69	11.49	2.74		
						31	9.03	2.57	9.48	2.62	9.92	2.66	10.15	2.69	10.38	2.71	10.84	2.75	11.31	2.80		
						33	8.85	2.64	9.29	2.68	9.74	2.73	9.97	2.75	10.19	2.77	10.66	2.82	11.12	2.86		
						35	8.66	2.70	9.11	2.75	9.55	2.79	9.80	2.81	10.01	2.84	10.47	2.88	10.94	2.93		
						37	8.48	2.77	8.92	2.81	9.37	2.86	9.60	2.88	9.83	2.90	10.29	2.95	10.76	3.00		
						39	8.29	2.83	8.74	2.88	9.19	2.93	9.42	2.95	9.65	2.97	10.11	3.02	10.58	3.06		
42	8.02	2.93	8.46	2.98	8.91	3.03	9.14	3.05	9.37	3.07	9.84	3.12	10.31	3.17								
44	7.83	3.00	8.28	3.05	8.73	3.10	8.96	3.12	9.19	3.14	9.66	3.19	10.13	3.24								
46	7.65	3.07	8.10	3.12	8.55	3.17	8.78	3.19	9.01	3.21	9.48	3.26	9.95	3.31								
2500	2500	5000	5000	15000	150%	10	11.02	1.96	11.45	2.01	11.89	2.05	12.11	2.07	12.34	2.09	12.79	2.13	13.25	2.17		
						12	10.83	2.02	11.26	2.06	11.70	2.10	11.92	2.12	12.15	2.14	12.60	2.19	13.06	2.23		
						14	10.64	2.07	11.07	2.11	11.51	2.16	11.74	2.18	11.96	2.20	12.41	2.24	12.87	2.28		
						16	10.45	2.13	10.88	2.17	11.32	2.21	11.55	2.23	11.77	2.25	12.23	2.30	12.69	2.34		
						18	10.26	2.18	10.69	2.22	11.14	2.27	11.36	2.29	11.58	2.31	12.04	2.35	12.50	2.40		
						20	10.07	2.24	10.50	2.28	10.95	2.32	11.17	2.35	11.40	2.37	11.85	2.41	12.32	2.45		
						21	9.97	2.27	10.41	2.31	10.85	2.35	11.08	2.37	11.30	2.40	11.76	2.44	12.22	2.48		
						23	9.78	2.32	10.22	2.37	10.67	2.41	10.89	2.43	11.12	2.46	11.58	2.50	12.04	2.54		
						25	9.60	2.38	10.03	2.43	10.48	2.47	10.71	2.49	10.93	2.51	11.39	2.56	11.86	2.60		
						27	9.41	2.44	9.85	2.49	10.29	2.53	10.52	2.55	10.75	2.58	11.21	2.62	11.67	2.66		
						29	9.22	2.50	9.66	2.55	10.11	2.59	10.33	2.62	10.56	2.64	11.02	2.68	11.49	2.73		
						31	9.03	2.57	9.48	2.61	9.92	2.66	10.15	2.68	10.38	2.70	10.84	2.75	11.31	2.79		
						33	8.85	2.63	9.29	2.67	9.74	2.72	9.97	2.74	10.19	2.76	10.66	2.81	11.12	2.85		
						35	8.66	2.69	9.11	2.74	9.55	2.78	9.80	2.80	10.01	2.83	10.47	2.87	10.94	2.92		
						37	8.48	2.76	8.92	2.80	9.37	2.85	9.60	2.87	9.83	2.89	10.29	2.94	10.76	2.99		
						39	8.29	2.82	8.74	2.87	9.19	2.92	9.42	2.94	9.65	2.96	10.11	3.01	10.58	3.05		
42	8.02	2.92	8.46	2.97	8.91	3.02	9.14	3.04	9.37	3.06	9.84	3.11	10.31	3.16								
44	7.83	2.99	8.28	3.04	8.73	3.09	8.96	3.11	9.19	3.13	9.66	3.18	10.13	3.23								
46	7.65	3.06	8.10	3.11	8.55	3.16	8.78	3.18	9.01	3.20	9.48	3.25	9.95	3.30								

# 12. Capacity Table

## 12-7. AJ100MCJ5EH/EU

### COOLING

Combination (Capacity Index)				Combination (Total)	Combination (%)	Outdoor Temperature (°C, DB)	Indoor Temperature (°C, WB)															
							14		16		18		19		20		22		24			
							TC(kW)	PI(kW)	TC(kW)	PI(kW)	TC(kW)	PI(kW)	TC(kW)	PI(kW)	TC(kW)	PI(kW)	TC(kW)	PI(kW)	TC(kW)	PI(kW)		
2500	2500	5000	6800	16800	168%	10	11.02	2.05	11.45	2.09	11.89	2.14	12.11	2.16	12.34	2.18	12.79	2.22	13.25	2.27		
						12	10.83	2.10	11.26	2.15	11.70	2.19	11.92	2.21	12.15	2.24	12.60	2.28	13.06	2.32		
						14	10.64	2.16	11.07	2.20	11.51	2.25	11.74	2.27	11.96	2.29	12.41	2.34	12.87	2.38		
						16	10.45	2.22	10.88	2.26	11.32	2.31	11.55	2.33	11.77	2.35	12.23	2.39	12.69	2.44		
						18	10.26	2.27	10.69	2.32	11.14	2.36	11.36	2.39	11.58	2.41	12.04	2.45	12.50	2.50		
						20	10.07	2.33	10.50	2.38	10.95	2.42	11.17	2.45	11.40	2.47	11.85	2.51	12.32	2.56		
						21	9.97	2.36	10.41	2.41	10.85	2.45	11.08	2.48	11.30	2.50	11.76	2.54	12.22	2.59		
						23	9.78	2.42	10.22	2.47	10.67	2.51	10.89	2.54	11.12	2.56	11.58	2.61	12.04	2.65		
						25	9.60	2.49	10.03	2.53	10.48	2.58	10.71	2.60	10.93	2.62	11.39	2.67	11.86	2.71		
						27	9.41	2.55	9.85	2.59	10.29	2.64	10.52	2.66	10.75	2.69	11.21	2.73	11.67	2.78		
						29	9.22	2.61	9.66	2.66	10.11	2.70	10.33	2.73	10.56	2.75	11.02	2.80	11.49	2.84		
						31	9.03	2.68	9.48	2.72	9.92	2.77	10.15	2.79	10.38	2.82	10.84	2.86	11.31	2.91		
						33	8.85	2.74	9.29	2.79	9.74	2.84	9.97	2.86	10.19	2.88	10.66	2.93	11.12	2.98		
						35	8.66	2.81	9.11	2.86	9.55	2.90	9.80	2.92	10.01	2.95	10.47	3.00	10.94	3.04		
						37	8.48	2.88	8.92	2.92	9.37	2.97	9.60	2.99	9.83	3.02	10.29	3.07	10.76	3.11		
						39	8.29	2.94	8.74	2.99	9.19	3.04	9.42	3.06	9.65	3.09	10.11	3.14	10.58	3.18		
42	8.02	3.05	8.46	3.10	8.91	3.15	9.14	3.17	9.37	3.19	9.84	3.24	10.31	3.29								
44	7.83	3.12	8.28	3.17	8.73	3.22	8.96	3.24	9.19	3.27	9.66	3.31	10.13	3.36								
46	7.65	3.19	8.10	3.24	8.55	3.29	8.78	3.31	9.01	3.34	9.48	3.39	9.95	3.44								
2500	3500	3500	3500	13000	130%	10	10.23	1.95	10.63	1.99	11.04	2.03	11.25	2.05	11.46	2.08	11.88	2.12	12.30	2.16		
						12	10.05	2.00	10.46	2.04	10.87	2.09	11.07	2.11	11.28	2.13	11.70	2.17	12.13	2.21		
						14	9.88	2.06	10.28	2.10	10.69	2.14	10.90	2.16	11.11	2.18	11.53	2.22	11.95	2.27		
						16	9.70	2.11	10.10	2.15	10.51	2.19	10.72	2.22	10.93	2.24	11.35	2.28	11.78	2.32		
						18	9.52	2.17	9.93	2.21	10.34	2.25	10.55	2.27	10.76	2.29	11.18	2.34	11.61	2.38		
						20	9.35	2.22	9.75	2.26	10.17	2.31	10.37	2.33	10.58	2.35	11.01	2.39	11.44	2.44		
						21	9.26	2.25	9.67	2.29	10.08	2.34	10.29	2.36	10.50	2.38	10.92	2.42	11.35	2.47		
						23	9.09	2.31	9.49	2.35	9.91	2.39	10.11	2.42	10.32	2.44	10.75	2.48	11.18	2.52		
						25	8.91	2.37	9.32	2.41	9.73	2.45	9.94	2.48	10.15	2.50	10.58	2.54	11.01	2.58		
						27	8.74	2.43	9.14	2.47	9.56	2.51	9.77	2.54	9.98	2.56	10.41	2.60	10.84	2.65		
						29	8.56	2.49	8.97	2.53	9.39	2.57	9.60	2.60	9.81	2.62	10.24	2.66	10.67	2.71		
						31	8.39	2.55	8.80	2.59	9.21	2.64	9.43	2.66	9.64	2.68	10.07	2.73	10.50	2.77		
						33	8.22	2.61	8.63	2.65	9.04	2.70	9.25	2.72	9.47	2.74	9.90	2.79	10.33	2.83		
						35	8.04	2.67	8.45	2.72	8.87	2.76	9.10	2.78	9.30	2.81	9.73	2.85	10.16	2.90		
						37	7.87	2.74	8.28	2.78	8.70	2.83	8.91	2.85	9.13	2.87	9.56	2.92	9.99	2.96		
						39	7.70	2.80	8.11	2.85	8.53	2.89	8.74	2.92	8.96	2.94	9.39	2.99	9.83	3.03		
42	7.44	2.90	7.86	2.95	8.28	2.99	8.49	3.02	8.70	3.04	9.14	3.09	9.57	3.13								
44	7.27	2.97	7.69	3.02	8.11	3.06	8.32	3.09	8.54	3.11	8.97	3.16	9.41	3.20								
46	7.10	3.04	7.52	3.09	7.94	3.13	8.15	3.16	8.37	3.18	8.80	3.23	9.24	3.27								

# 12. Capacity Table

## 12-7. AJ100MCJ5EH/EU

### COOLING

Combination (Capacity Index)				Combination (Total)	Combination (%)	Outdoor Temperature (°C, DB)	Indoor Temperature (°C, WB)															
							14		16		18		19		20		22		24			
							TC(kW)	PI(kW)	TC(kW)	PI(kW)	TC(kW)	PI(kW)	TC(kW)	PI(kW)	TC(kW)	PI(kW)	TC(kW)	PI(kW)	TC(kW)	PI(kW)		
2500	3500	3500	5000	14500	145%	10	10.57	1.96	10.98	2.00	11.41	2.04	11.62	2.06	11.83	2.08	12.27	2.12	12.71	2.17		
						12	10.39	2.01	10.80	2.05	11.22	2.09	11.44	2.12	11.65	2.14	12.09	2.18	12.53	2.22		
						14	10.20	2.06	10.62	2.11	11.04	2.15	11.26	2.17	11.47	2.19	11.91	2.23	12.35	2.27		
						16	10.02	2.12	10.44	2.16	10.86	2.20	11.08	2.22	11.29	2.25	11.73	2.29	12.17	2.33		
						18	9.84	2.17	10.26	2.22	10.68	2.26	10.90	2.28	11.11	2.30	11.55	2.34	11.99	2.39		
						20	9.66	2.23	10.08	2.27	10.50	2.32	10.72	2.34	10.93	2.36	11.37	2.40	11.81	2.45		
						21	9.57	2.26	9.99	2.30	10.41	2.34	10.63	2.37	10.84	2.39	11.28	2.43	11.73	2.47		
						23	9.38	2.32	9.81	2.36	10.23	2.40	10.45	2.42	10.66	2.45	11.10	2.49	11.55	2.53		
						25	9.20	2.37	9.63	2.42	10.05	2.46	10.27	2.48	10.49	2.51	10.93	2.55	11.37	2.59		
						27	9.02	2.43	9.45	2.48	9.87	2.52	10.09	2.54	10.31	2.57	10.75	2.61	11.20	2.65		
						29	8.84	2.49	9.27	2.54	9.70	2.58	9.91	2.61	10.13	2.63	10.57	2.67	11.02	2.72		
						31	8.67	2.56	9.09	2.60	9.52	2.65	9.74	2.67	9.95	2.69	10.40	2.74	10.85	2.78		
						33	8.49	2.62	8.91	2.66	9.34	2.71	9.56	2.73	9.78	2.75	10.22	2.80	10.67	2.84		
						35	8.31	2.68	8.73	2.73	9.16	2.77	9.40	2.79	9.60	2.82	10.05	2.86	10.50	2.91		
						37	8.13	2.75	8.56	2.79	8.99	2.84	9.21	2.86	9.43	2.88	9.87	2.93	10.32	2.98		
						39	7.95	2.81	8.38	2.86	8.81	2.90	9.03	2.93	9.25	2.95	9.70	3.00	10.15	3.04		
						42	7.69	2.91	8.12	2.96	8.55	3.01	8.77	3.03	8.99	3.05	9.44	3.10	9.89	3.14		
44	7.51	2.98	7.94	3.03	8.38	3.07	8.60	3.10	8.82	3.12	9.26	3.17	9.72	3.21								
46	7.34	3.05	7.77	3.10	8.20	3.14	8.42	3.17	8.64	3.19	9.09	3.24	9.55	3.28								
2500	3500	3500	6800	16300	163%	10	11.02	2.01	11.45	2.05	11.89	2.09	12.11	2.11	12.34	2.14	12.79	2.18	13.25	2.22		
						12	10.83	2.06	11.26	2.10	11.70	2.15	11.92	2.17	12.15	2.19	12.60	2.23	13.06	2.28		
						14	10.64	2.12	11.07	2.16	11.51	2.20	11.74	2.22	11.96	2.25	12.41	2.29	12.87	2.33		
						16	10.45	2.17	10.88	2.21	11.32	2.26	11.55	2.28	11.77	2.30	12.23	2.35	12.69	2.39		
						18	10.26	2.23	10.69	2.27	11.14	2.32	11.36	2.34	11.58	2.36	12.04	2.40	12.50	2.45		
						20	10.07	2.29	10.50	2.33	10.95	2.37	11.17	2.40	11.40	2.42	11.85	2.46	12.32	2.51		
						21	9.97	2.31	10.41	2.36	10.85	2.40	11.08	2.43	11.30	2.45	11.76	2.49	12.22	2.54		
						23	9.78	2.37	10.22	2.42	10.67	2.46	10.89	2.49	11.12	2.51	11.58	2.55	12.04	2.60		
						25	9.60	2.43	10.03	2.48	10.48	2.52	10.71	2.55	10.93	2.57	11.39	2.61	11.86	2.66		
						27	9.41	2.50	9.85	2.54	10.29	2.59	10.52	2.61	10.75	2.63	11.21	2.68	11.67	2.72		
						29	9.22	2.56	9.66	2.60	10.11	2.65	10.33	2.67	10.56	2.69	11.02	2.74	11.49	2.79		
						31	9.03	2.62	9.48	2.67	9.92	2.71	10.15	2.74	10.38	2.76	10.84	2.80	11.31	2.85		
						33	8.85	2.69	9.29	2.73	9.74	2.78	9.97	2.80	10.19	2.82	10.66	2.87	11.12	2.92		
						35	8.66	2.75	9.11	2.80	9.55	2.84	9.80	2.86	10.01	2.89	10.47	2.94	10.94	2.98		
						37	8.48	2.82	8.92	2.86	9.37	2.91	9.60	2.93	9.83	2.96	10.29	3.00	10.76	3.05		
						39	8.29	2.88	8.74	2.93	9.19	2.98	9.42	3.00	9.65	3.02	10.11	3.07	10.58	3.12		
						42	8.02	2.99	8.46	3.03	8.91	3.08	9.14	3.10	9.37	3.13	9.84	3.18	10.31	3.22		
44	7.83	3.06	8.28	3.10	8.73	3.15	8.96	3.18	9.19	3.20	9.66	3.25	10.13	3.29								
46	7.65	3.13	8.10	3.17	8.55	3.22	8.78	3.25	9.01	3.27	9.48	3.32	9.95	3.37								

# 12. Capacity Table

## 12-7. AJ100MCJ5EH/EU

### COOLING

Combination (Capacity Index)				Combination (Total)	Combination (%)	Outdoor Temperature (°C, DB)	Indoor Temperature (°C, WB)															
							14		16		18		19		20		22		24			
							TC(kW)	PI(kW)	TC(kW)	PI(kW)	TC(kW)	PI(kW)	TC(kW)	PI(kW)	TC(kW)	PI(kW)	TC(kW)	PI(kW)	TC(kW)	PI(kW)		
2500	3500	5000	5000	16000	160%	10	11.02	2.00	11.45	2.04	11.89	2.08	12.11	2.11	12.34	2.13	12.79	2.17	13.25	2.21		
						12	10.83	2.05	11.26	2.10	11.70	2.14	11.92	2.16	12.15	2.18	12.60	2.22	13.06	2.27		
						14	10.64	2.11	11.07	2.15	11.51	2.19	11.74	2.22	11.96	2.24	12.41	2.28	12.87	2.32		
						16	10.45	2.16	10.88	2.21	11.32	2.25	11.55	2.27	11.77	2.29	12.23	2.34	12.69	2.38		
						18	10.26	2.22	10.69	2.26	11.14	2.31	11.36	2.33	11.58	2.35	12.04	2.39	12.50	2.44		
						20	10.07	2.28	10.50	2.32	10.95	2.37	11.17	2.39	11.40	2.41	11.85	2.45	12.32	2.50		
						21	9.97	2.31	10.41	2.35	10.85	2.39	11.08	2.42	11.30	2.44	11.76	2.48	12.22	2.53		
						23	9.78	2.37	10.22	2.41	10.67	2.45	10.89	2.48	11.12	2.50	11.58	2.54	12.04	2.59		
						25	9.60	2.43	10.03	2.47	10.48	2.52	10.71	2.54	10.93	2.56	11.39	2.60	11.86	2.65		
						27	9.41	2.49	9.85	2.53	10.29	2.58	10.52	2.60	10.75	2.62	11.21	2.67	11.67	2.71		
						29	9.22	2.55	9.66	2.59	10.11	2.64	10.33	2.66	10.56	2.68	11.02	2.73	11.49	2.78		
						31	9.03	2.61	9.48	2.66	9.92	2.70	10.15	2.73	10.38	2.75	10.84	2.79	11.31	2.84		
						33	8.85	2.68	9.29	2.72	9.74	2.77	9.97	2.79	10.19	2.81	10.66	2.86	11.12	2.91		
						35	8.66	2.74	9.11	2.79	9.55	2.83	9.80	2.85	10.01	2.88	10.47	2.93	10.94	2.97		
						37	8.48	2.81	8.92	2.85	9.37	2.90	9.60	2.92	9.83	2.95	10.29	2.99	10.76	3.04		
						39	8.29	2.87	8.74	2.92	9.19	2.97	9.42	2.99	9.65	3.01	10.11	3.06	10.58	3.11		
42	8.02	2.98	8.46	3.02	8.91	3.07	9.14	3.09	9.37	3.12	9.84	3.16	10.31	3.21								
44	7.83	3.05	8.28	3.09	8.73	3.14	8.96	3.16	9.19	3.19	9.66	3.24	10.13	3.28								
46	7.65	3.12	8.10	3.16	8.55	3.21	8.78	3.24	9.01	3.26	9.48	3.31	9.95	3.35								
3500	3500	3500	3500	14000	140%	10	10.48	1.99	10.89	2.03	11.31	2.07	11.52	2.09	11.73	2.11	12.16	2.15	12.60	2.20		
						12	10.30	2.04	10.71	2.08	11.13	2.12	11.34	2.15	11.55	2.17	11.98	2.21	12.42	2.25		
						14	10.12	2.09	10.53	2.14	10.95	2.18	11.16	2.20	11.37	2.22	11.81	2.26	12.24	2.31		
						16	9.93	2.15	10.35	2.19	10.77	2.23	10.98	2.26	11.20	2.28	11.63	2.32	12.07	2.36		
						18	9.75	2.20	10.17	2.25	10.59	2.29	10.80	2.31	11.02	2.33	11.45	2.38	11.89	2.42		
						20	9.57	2.26	9.99	2.31	10.41	2.35	10.62	2.37	10.84	2.39	11.27	2.44	11.71	2.48		
						21	9.48	2.29	9.90	2.33	10.32	2.38	10.54	2.40	10.75	2.42	11.19	2.47	11.63	2.51		
						23	9.30	2.35	9.72	2.39	10.14	2.44	10.36	2.46	10.57	2.48	11.01	2.53	11.45	2.57		
						25	9.13	2.41	9.54	2.45	9.97	2.50	10.18	2.52	10.40	2.54	10.83	2.59	11.28	2.63		
						27	8.95	2.47	9.37	2.51	9.79	2.56	10.00	2.58	10.22	2.60	10.66	2.65	11.10	2.69		
						29	8.77	2.53	9.19	2.58	9.61	2.62	9.83	2.64	10.05	2.67	10.48	2.71	10.93	2.76		
						31	8.59	2.59	9.01	2.64	9.44	2.68	9.65	2.71	9.87	2.73	10.31	2.77	10.75	2.82		
						33	8.41	2.66	8.84	2.70	9.26	2.75	9.48	2.77	9.70	2.79	10.13	2.84	10.58	2.88		
						35	8.24	2.72	8.66	2.77	9.09	2.81	9.32	2.83	9.52	2.86	9.96	2.90	10.41	2.95		
						37	8.06	2.79	8.48	2.83	8.91	2.88	9.13	2.90	9.35	2.93	9.79	2.97	10.24	3.02		
						39	7.89	2.85	8.31	2.90	8.74	2.95	8.96	2.97	9.17	2.99	9.62	3.04	10.06	3.09		
42	7.62	2.96	8.05	3.00	8.48	3.05	8.70	3.07	8.91	3.10	9.36	3.14	9.81	3.19								
44	7.45	3.02	7.87	3.07	8.30	3.12	8.52	3.14	8.74	3.17	9.19	3.21	9.64	3.26								
46	7.27	3.09	7.70	3.14	8.13	3.19	8.35	3.21	8.57	3.24	9.01	3.28	9.47	3.33								

# 12. Capacity Table

## 12-7. AJ100MCJ5EH/EU

### COOLING

Combination (Capacity Index)				Combination (Total)	Combination (%)	Outdoor Temperature (°C, DB)	Indoor Temperature (°C, WB)															
							14		16		18		19		20		22		24			
							TC(kW)	PI(kW)	TC(kW)	PI(kW)	TC(kW)	PI(kW)	TC(kW)	PI(kW)	TC(kW)	PI(kW)	TC(kW)	PI(kW)	TC(kW)	PI(kW)		
3500	3500	3500	5000	15500	155%	10	11.02	1.99	11.45	2.04	11.89	2.08	12.11	2.10	12.34	2.12	12.79	2.16	13.25	2.21		
						12	10.83	2.05	11.26	2.09	11.70	2.13	11.92	2.15	12.15	2.17	12.60	2.22	13.06	2.26		
						14	10.64	2.10	11.07	2.14	11.51	2.19	11.74	2.21	11.96	2.23	12.41	2.27	12.87	2.32		
						16	10.45	2.16	10.88	2.20	11.32	2.24	11.55	2.26	11.77	2.29	12.23	2.33	12.69	2.37		
						18	10.26	2.21	10.69	2.26	11.14	2.30	11.36	2.32	11.58	2.34	12.04	2.39	12.50	2.43		
						20	10.07	2.27	10.50	2.31	10.95	2.36	11.17	2.38	11.40	2.40	11.85	2.45	12.32	2.49		
						21	9.97	2.30	10.41	2.34	10.85	2.39	11.08	2.41	11.30	2.43	11.76	2.47	12.22	2.52		
						23	9.78	2.36	10.22	2.40	10.67	2.45	10.89	2.47	11.12	2.49	11.58	2.53	12.04	2.58		
						25	9.60	2.42	10.03	2.46	10.48	2.51	10.71	2.53	10.93	2.55	11.39	2.60	11.86	2.64		
						27	9.41	2.48	9.85	2.52	10.29	2.57	10.52	2.59	10.75	2.61	11.21	2.66	11.67	2.70		
						29	9.22	2.54	9.66	2.58	10.11	2.63	10.33	2.65	10.56	2.68	11.02	2.72	11.49	2.77		
						31	9.03	2.60	9.48	2.65	9.92	2.69	10.15	2.72	10.38	2.74	10.84	2.78	11.31	2.83		
						33	8.85	2.67	9.29	2.71	9.74	2.76	9.97	2.78	10.19	2.80	10.66	2.85	11.12	2.89		
						35	8.66	2.73	9.11	2.78	9.55	2.82	9.80	2.84	10.01	2.87	10.47	2.92	10.94	2.96		
						37	8.48	2.80	8.92	2.84	9.37	2.89	9.60	2.91	9.83	2.94	10.29	2.98	10.76	3.03		
						39	8.29	2.86	8.74	2.91	9.19	2.96	9.42	2.98	9.65	3.00	10.11	3.05	10.58	3.10		
42	8.02	2.97	8.46	3.01	8.91	3.06	9.14	3.08	9.37	3.11	9.84	3.15	10.31	3.20								
44	7.83	3.03	8.28	3.08	8.73	3.13	8.96	3.15	9.19	3.18	9.66	3.22	10.13	3.27								
46	7.65	3.11	8.10	3.15	8.55	3.20	8.78	3.22	9.01	3.25	9.48	3.30	9.95	3.34								
3500	3500	3500	6800	17300	173%	10	11.02	2.04	11.45	2.09	11.89	2.13	12.11	2.15	12.34	2.17	12.79	2.22	13.25	2.26		
						12	10.83	2.10	11.26	2.14	11.70	2.18	11.92	2.21	12.15	2.23	12.60	2.27	13.06	2.32		
						14	10.64	2.15	11.07	2.20	11.51	2.24	11.74	2.26	11.96	2.28	12.41	2.33	12.87	2.37		
						16	10.45	2.21	10.88	2.25	11.32	2.30	11.55	2.32	11.77	2.34	12.23	2.39	12.69	2.43		
						18	10.26	2.27	10.69	2.31	11.14	2.36	11.36	2.38	11.58	2.40	12.04	2.45	12.50	2.49		
						20	10.07	2.33	10.50	2.37	10.95	2.42	11.17	2.44	11.40	2.46	11.85	2.51	12.32	2.55		
						21	9.97	2.36	10.41	2.40	10.85	2.45	11.08	2.47	11.30	2.49	11.76	2.54	12.22	2.58		
						23	9.78	2.42	10.22	2.46	10.67	2.51	10.89	2.53	11.12	2.55	11.58	2.60	12.04	2.64		
						25	9.60	2.48	10.03	2.52	10.48	2.57	10.71	2.59	10.93	2.61	11.39	2.66	11.86	2.71		
						27	9.41	2.54	9.85	2.58	10.29	2.63	10.52	2.65	10.75	2.68	11.21	2.72	11.67	2.77		
						29	9.22	2.60	9.66	2.65	10.11	2.69	10.33	2.72	10.56	2.74	11.02	2.79	11.49	2.83		
						31	9.03	2.67	9.48	2.71	9.92	2.76	10.15	2.78	10.38	2.81	10.84	2.85	11.31	2.90		
						33	8.85	2.73	9.29	2.78	9.74	2.83	9.97	2.85	10.19	2.87	10.66	2.92	11.12	2.97		
						35	8.66	2.80	9.11	2.85	9.55	2.89	9.80	2.91	10.01	2.94	10.47	2.99	10.94	3.03		
						37	8.48	2.87	8.92	2.91	9.37	2.96	9.60	2.98	9.83	3.01	10.29	3.06	10.76	3.10		
						39	8.29	2.93	8.74	2.98	9.19	3.03	9.42	3.05	9.65	3.08	10.11	3.13	10.58	3.17		
42	8.02	3.04	8.46	3.09	8.91	3.14	9.14	3.16	9.37	3.18	9.84	3.23	10.31	3.28								
44	7.83	3.11	8.28	3.16	8.73	3.21	8.96	3.23	9.19	3.26	9.66	3.30	10.13	3.35								
46	7.65	3.18	8.10	3.23	8.55	3.28	8.78	3.30	9.01	3.33	9.48	3.38	9.95	3.43								

# 12. Capacity Table

## 12-7. AJ100MCJ5EH/EU

### COOLING

Combination (Capacity Index)					Combination (Total)	Combination (%)	Outdoor Temperature (°C, DB)	Indoor Temperature (°C, WB)															
								14		16		18		19		20		22		24			
								TC(kW)	PI(kW)	TC(kW)	PI(kW)	TC(kW)	PI(kW)	TC(kW)	PI(kW)	TC(kW)	PI(kW)	TC(kW)	PI(kW)	TC(kW)	PI(kW)		
3500	3500	5000	5000		17000	170%	10	11.02	2.04	11.45	2.09	11.89	2.13	12.11	2.15	12.34	2.17	12.79	2.22	13.25	2.26		
							12	10.83	2.10	11.26	2.14	11.70	2.18	11.92	2.21	12.15	2.23	12.60	2.27	13.06	2.32		
							14	10.64	2.15	11.07	2.20	11.51	2.24	11.74	2.26	11.96	2.28	12.41	2.33	12.87	2.37		
							16	10.45	2.21	10.88	2.25	11.32	2.30	11.55	2.32	11.77	2.34	12.23	2.39	12.69	2.43		
							18	10.26	2.27	10.69	2.31	11.14	2.36	11.36	2.38	11.58	2.40	12.04	2.45	12.50	2.49		
							20	10.07	2.33	10.50	2.37	10.95	2.42	11.17	2.44	11.40	2.46	11.85	2.51	12.32	2.55		
							21	9.97	2.36	10.41	2.40	10.85	2.45	11.08	2.47	11.30	2.49	11.76	2.54	12.22	2.58		
							23	9.78	2.42	10.22	2.46	10.67	2.51	10.89	2.53	11.12	2.55	11.58	2.60	12.04	2.64		
							25	9.60	2.48	10.03	2.52	10.48	2.57	10.71	2.59	10.93	2.61	11.39	2.66	11.86	2.71		
							27	9.41	2.54	9.85	2.58	10.29	2.63	10.52	2.65	10.75	2.68	11.21	2.72	11.67	2.77		
							29	9.22	2.60	9.66	2.65	10.11	2.69	10.33	2.72	10.56	2.74	11.02	2.79	11.49	2.83		
							31	9.03	2.67	9.48	2.71	9.92	2.76	10.15	2.78	10.38	2.81	10.84	2.85	11.31	2.90		
							33	8.85	2.73	9.29	2.78	9.74	2.83	9.97	2.85	10.19	2.87	10.66	2.92	11.12	2.97		
							35	8.66	2.80	9.11	2.85	9.55	2.89	9.80	2.91	10.01	2.94	10.47	2.99	10.94	3.03		
							37	8.48	2.87	8.92	2.91	9.37	2.96	9.60	2.98	9.83	3.01	10.29	3.06	10.76	3.10		
							39	8.29	2.93	8.74	2.98	9.19	3.03	9.42	3.05	9.65	3.08	10.11	3.13	10.58	3.17		
42	8.02	3.04	8.46	3.09	8.91	3.14	9.14	3.16	9.37	3.18	9.84	3.23	10.31	3.28									
44	7.83	3.11	8.28	3.16	8.73	3.21	8.96	3.23	9.19	3.26	9.66	3.30	10.13	3.35									
46	7.65	3.18	8.10	3.23	8.55	3.28	8.78	3.30	9.01	3.33	9.48	3.38	9.95	3.43									
2000	2000	2000	2000	2000	10000	100%	10	8.40	1.86	11.84	1.91	12.07	1.95	12.20	1.98	12.35	2.00	12.70	2.04	13.10	2.08		
							12	8.40	1.91	11.52	1.96	11.76	2.00	11.90	2.02	12.06	2.04	12.42	2.09	12.85	2.13		
							14	8.40	1.96	11.21	2.00	11.47	2.05	11.62	2.07	11.79	2.09	12.16	2.13	12.60	2.17		
							16	8.40	2.01	10.92	2.05	11.19	2.10	11.35	2.12	11.52	2.14	11.92	2.18	12.37	2.22		
							18	8.40	2.06	10.63	2.10	10.92	2.15	11.09	2.17	11.27	2.19	11.68	2.23	12.16	2.27		
							20	8.40	2.11	10.36	2.16	10.67	2.20	10.85	2.22	11.04	2.24	11.46	2.28	11.95	2.32		
							21	8.40	2.14	10.23	2.18	10.55	2.23	10.73	2.25	10.92	2.27	11.36	2.31	11.86	2.35		
							23	8.40	2.19	9.98	2.24	10.32	2.28	10.50	2.30	10.71	2.32	11.16	2.36	11.67	2.40		
							25	8.40	2.25	9.75	2.29	10.10	2.34	10.29	2.36	10.50	2.38	10.97	2.42	11.50	2.46		
							27	8.40	2.30	9.52	2.35	9.89	2.39	10.09	2.41	10.31	2.44	10.80	2.48	11.34	2.52		
							29	8.40	2.36	9.31	2.41	9.69	2.45	9.91	2.47	10.14	2.49	10.64	2.53	11.20	2.57		
							31	8.40	2.42	9.12	2.47	9.51	2.51	9.74	2.53	9.97	2.55	10.49	2.59	11.07	2.63		
							33	8.40	2.48	8.93	2.53	9.35	2.57	9.58	2.59	9.82	2.61	10.35	2.66	10.95	2.69		
							35	8.40	2.55	8.76	2.59	9.19	2.64	9.50	2.65	9.68	2.68	10.23	2.72	10.84	2.76		
							37	8.40	2.61	8.61	2.66	9.05	2.70	9.30	2.72	9.56	2.74	10.13	2.78	10.75	2.82		
							39	8.40	2.68	8.46	2.72	8.92	2.76	9.18	2.79	9.45	2.81	10.03	2.85	10.67	2.88		
42	8.40	2.78	8.27	2.82	8.76	2.87	9.02	2.89	9.31	2.91	9.91	2.95	10.58	2.98									
44	8.40	2.85	8.16	2.89	8.66	2.93	8.94	2.96	9.23	2.98	9.85	3.01	10.54	3.05									
46	8.40	2.92	8.06	2.96	8.58	3.00	8.86	3.03	9.16	3.05	9.80	3.08	10.50	3.12									

# 12. Capacity Table

## 12-7. AJ100MCJ5EH/EU

### COOLING

Combination (Capacity Index)					Combination (Total)	Combination (%)	Outdoor Temperature (°C, DB)	Indoor Temperature (°C, WB)													
								14		16		18		19		20		22		24	
								TC(kW)	PI(kW)	TC(kW)	PI(kW)	TC(kW)	PI(kW)	TC(kW)	PI(kW)	TC(kW)	PI(kW)	TC(kW)	PI(kW)	TC(kW)	PI(kW)
2000	2000	2000	2000	2500	10500	105%	10	8.44	1.90	11.91	1.94	12.13	1.99	12.27	2.01	12.42	2.04	12.76	2.08	13.17	2.12
							12	8.44	1.94	11.58	1.99	11.82	2.04	11.97	2.06	12.13	2.08	12.49	2.13	12.91	2.17
							14	8.44	1.99	11.27	2.04	11.53	2.09	11.68	2.11	11.85	2.13	12.23	2.17	12.67	2.22
							16	8.44	2.04	10.97	2.09	11.25	2.14	11.41	2.16	11.58	2.18	11.98	2.22	12.44	2.27
							18	8.44	2.10	10.69	2.14	10.98	2.19	11.15	2.21	11.33	2.23	11.75	2.28	12.22	2.32
							20	8.44	2.15	10.42	2.20	10.73	2.24	10.90	2.26	11.09	2.29	11.52	2.33	12.02	2.37
							21	8.44	2.18	10.29	2.22	10.60	2.27	10.78	2.29	10.98	2.31	11.42	2.35	11.92	2.40
							23	8.44	2.23	10.04	2.28	10.37	2.32	10.56	2.35	10.76	2.37	11.22	2.41	11.73	2.45
							25	8.44	2.29	9.80	2.34	10.15	2.38	10.35	2.40	10.56	2.42	11.03	2.47	11.56	2.51
							27	8.44	2.35	9.57	2.39	9.94	2.44	10.15	2.46	10.37	2.48	10.85	2.52	11.40	2.56
							29	8.44	2.41	9.36	2.45	9.75	2.50	9.96	2.52	10.19	2.54	10.69	2.58	11.26	2.62
							31	8.44	2.47	9.17	2.51	9.56	2.56	9.79	2.58	10.02	2.60	10.54	2.64	11.13	2.68
							33	8.44	2.53	8.98	2.58	9.40	2.62	9.63	2.64	9.87	2.66	10.41	2.71	11.01	2.74
							35	8.44	2.60	8.81	2.64	9.24	2.69	9.55	2.70	9.73	2.73	10.29	2.77	10.90	2.81
							37	8.44	2.66	8.65	2.71	9.10	2.75	9.35	2.77	9.61	2.79	10.18	2.83	10.81	2.87
							39	8.44	2.73	8.51	2.77	8.97	2.82	9.23	2.84	9.50	2.86	10.08	2.90	10.73	2.94
							42	8.44	2.83	8.32	2.88	8.80	2.92	9.07	2.94	9.35	2.96	9.97	3.00	10.64	3.04
44	8.44	2.90	8.20	2.95	8.71	2.99	8.98	3.01	9.28	3.03	9.90	3.07	10.59	3.11							
46	8.44	2.97	8.11	3.02	8.63	3.06	8.91	3.08	9.21	3.10	9.85	3.14	10.56	3.18							
2000	2000	2000	2000	3500	11500	115%	10	8.54	1.93	12.04	1.98	12.27	2.03	12.41	2.05	12.56	2.07	12.91	2.12	13.32	2.16
							12	8.54	1.98	11.71	2.03	11.96	2.08	12.10	2.10	12.27	2.12	12.63	2.17	13.06	2.21
							14	8.54	2.03	11.40	2.08	11.66	2.13	11.82	2.15	11.98	2.17	12.37	2.21	12.82	2.26
							16	8.54	2.08	11.10	2.13	11.38	2.18	11.54	2.20	11.72	2.22	12.12	2.27	12.58	2.31
							18	8.54	2.13	10.81	2.18	11.11	2.23	11.28	2.25	11.46	2.27	11.88	2.32	12.36	2.36
							20	8.54	2.19	10.54	2.24	10.85	2.28	11.03	2.31	11.22	2.33	11.66	2.37	12.15	2.41
							21	8.54	2.22	10.41	2.26	10.73	2.31	10.91	2.33	11.11	2.36	11.55	2.40	12.05	2.44
							23	8.54	2.27	10.15	2.32	10.49	2.37	10.68	2.39	10.89	2.41	11.35	2.45	11.87	2.50
							25	8.54	2.33	9.91	2.38	10.27	2.42	10.46	2.45	10.68	2.47	11.16	2.51	11.69	2.55
							27	8.54	2.39	9.69	2.44	10.05	2.48	10.26	2.51	10.49	2.53	10.98	2.57	11.53	2.61
							29	8.54	2.45	9.47	2.50	9.86	2.54	10.07	2.57	10.31	2.59	10.82	2.63	11.39	2.67
							31	8.54	2.51	9.27	2.56	9.67	2.61	9.90	2.63	10.14	2.65	10.67	2.69	11.25	2.73
							33	8.54	2.58	9.08	2.62	9.50	2.67	9.74	2.69	9.99	2.71	10.53	2.76	11.13	2.80
							35	8.54	2.64	8.91	2.69	9.35	2.73	9.66	2.75	9.85	2.78	10.41	2.82	11.03	2.86
							37	8.54	2.71	8.75	2.76	9.20	2.80	9.45	2.82	9.72	2.84	10.30	2.89	10.93	2.93
							39	8.54	2.78	8.61	2.82	9.08	2.87	9.33	2.89	9.61	2.91	10.20	2.95	10.85	2.99
							42	8.54	2.88	8.41	2.93	8.91	2.97	9.18	3.00	9.46	3.02	10.08	3.06	10.76	3.10
44	8.54	2.96	8.30	3.00	8.81	3.05	9.09	3.07	9.38	3.09	10.02	3.13	10.71	3.17							
46	8.54	3.03	8.20	3.07	8.73	3.12	9.01	3.14	9.32	3.16	9.97	3.20	10.68	3.24							



# 12. Capacity Table

## 12-7. AJ100MCJ5EH/EU

### COOLING

Combination (Capacity Index)					Combination (Total)	Combination (%)	Outdoor Temperature (°C, DB)	Indoor Temperature (°C, WB)													
								14		16		18		19		20		22		24	
								TC(kW)	PI(kW)	TC(kW)	PI(kW)	TC(kW)	PI(kW)	TC(kW)	PI(kW)	TC(kW)	PI(kW)	TC(kW)	PI(kW)	TC(kW)	PI(kW)
2000	2000	2000	2000	5000	13000	130%	10	11.24	1.97	11.69	2.01	12.13	2.06	12.36	2.08	12.59	2.10	13.05	2.14	13.52	2.18
							12	11.05	2.02	11.49	2.07	11.94	2.11	12.17	2.13	12.40	2.15	12.86	2.19	13.33	2.24
							14	10.85	2.08	11.30	2.12	11.75	2.16	11.97	2.18	12.20	2.21	12.67	2.25	13.14	2.29
							16	10.66	2.13	11.10	2.18	11.55	2.22	11.78	2.24	12.01	2.26	12.48	2.30	12.95	2.35
							18	10.47	2.19	10.91	2.23	11.36	2.27	11.59	2.30	11.82	2.32	12.29	2.36	12.76	2.40
							20	10.27	2.25	10.72	2.29	11.17	2.33	11.40	2.35	11.63	2.38	12.10	2.42	12.57	2.46
							21	10.18	2.27	10.62	2.32	11.08	2.36	11.30	2.38	11.54	2.40	12.00	2.45	12.47	2.49
							23	9.98	2.33	10.43	2.38	10.88	2.42	11.11	2.44	11.35	2.46	11.81	2.51	12.29	2.55
							25	9.79	2.39	10.24	2.44	10.69	2.48	10.92	2.50	11.16	2.52	11.62	2.57	12.10	2.61
							27	9.60	2.45	10.05	2.50	10.50	2.54	10.73	2.56	10.97	2.58	11.44	2.63	11.91	2.67
							29	9.41	2.51	9.86	2.56	10.32	2.60	10.55	2.62	10.78	2.65	11.25	2.69	11.72	2.74
							31	9.22	2.57	9.67	2.62	10.13	2.66	10.36	2.69	10.59	2.71	11.06	2.75	11.54	2.80
							33	9.03	2.64	9.48	2.68	9.94	2.73	10.17	2.75	10.40	2.77	10.87	2.82	11.35	2.86
							35	8.84	2.70	9.29	2.75	9.75	2.79	10.00	2.81	10.22	2.84	10.69	2.88	11.17	2.93
							37	8.65	2.77	9.10	2.81	9.56	2.86	9.79	2.88	10.03	2.90	10.50	2.95	10.98	3.00
							39	8.46	2.83	8.92	2.88	9.38	2.93	9.61	2.95	9.84	2.97	10.32	3.02	10.80	3.06
							42	8.18	2.93	8.63	2.98	9.10	3.03	9.33	3.05	9.56	3.07	10.04	3.12	10.52	3.17
							44	7.99	3.00	8.45	3.05	8.91	3.10	9.14	3.12	9.38	3.14	9.86	3.19	10.34	3.24
46	7.80	3.07	8.26	3.12	8.73	3.17	8.96	3.19	9.20	3.21	9.67	3.26	10.16	3.31							
2000	2000	2000	2000	6800	14800	148%	10	11.24	1.99	11.69	2.03	12.13	2.07	12.36	2.09	12.59	2.11	13.05	2.15	13.52	2.20
							12	11.05	2.04	11.49	2.08	11.94	2.12	12.17	2.15	12.40	2.17	12.86	2.21	13.33	2.25
							14	10.85	2.09	11.30	2.14	11.75	2.18	11.97	2.20	12.20	2.22	12.67	2.26	13.14	2.31
							16	10.66	2.15	11.10	2.19	11.55	2.23	11.78	2.26	12.01	2.28	12.48	2.32	12.95	2.36
							18	10.47	2.20	10.91	2.25	11.36	2.29	11.59	2.31	11.82	2.33	12.29	2.38	12.76	2.42
							20	10.27	2.26	10.72	2.31	11.17	2.35	11.40	2.37	11.63	2.39	12.10	2.44	12.57	2.48
							21	10.18	2.29	10.62	2.33	11.08	2.38	11.30	2.40	11.54	2.42	12.00	2.47	12.47	2.51
							23	9.98	2.35	10.43	2.39	10.88	2.44	11.11	2.46	11.35	2.48	11.81	2.53	12.29	2.57
							25	9.79	2.41	10.24	2.45	10.69	2.50	10.92	2.52	11.16	2.54	11.62	2.59	12.10	2.63
							27	9.60	2.47	10.05	2.51	10.50	2.56	10.73	2.58	10.97	2.60	11.44	2.65	11.91	2.69
							29	9.41	2.53	9.86	2.58	10.32	2.62	10.55	2.64	10.78	2.67	11.25	2.71	11.72	2.76
							31	9.22	2.59	9.67	2.64	10.13	2.68	10.36	2.71	10.59	2.73	11.06	2.77	11.54	2.82
							33	9.03	2.66	9.48	2.70	9.94	2.75	10.17	2.77	10.40	2.79	10.87	2.84	11.35	2.88
							35	8.84	2.72	9.29	2.77	9.75	2.81	10.00	2.83	10.22	2.86	10.69	2.90	11.17	2.95
							37	8.65	2.79	9.10	2.83	9.56	2.88	9.79	2.90	10.03	2.93	10.50	2.97	10.98	3.02
							39	8.46	2.85	8.92	2.90	9.38	2.95	9.61	2.97	9.84	2.99	10.32	3.04	10.80	3.09
							42	8.18	2.96	8.63	3.00	9.10	3.05	9.33	3.07	9.56	3.10	10.04	3.14	10.52	3.19
							44	7.99	3.02	8.45	3.07	8.91	3.12	9.14	3.14	9.38	3.17	9.86	3.21	10.34	3.26
46	7.80	3.09	8.26	3.14	8.73	3.19	8.96	3.21	9.20	3.24	9.67	3.28	10.16	3.33							

# 12. Capacity Table

## 12-7. AJ100MCJ5EH/EU

### COOLING

Combination (Capacity Index)					Combination (Total)	Combination (%)	Outdoor Temperature (°C, DB)	Indoor Temperature (°C, WB)													
								14		16		18		19		20		22		24	
								TC(kW)	PI(kW)	TC(kW)	PI(kW)	TC(kW)	PI(kW)	TC(kW)	PI(kW)	TC(kW)	PI(kW)	TC(kW)	PI(kW)	TC(kW)	PI(kW)
2000	2000	2000	2500	2500	11000	110%	10	8.49	1.90	11.98	1.94	12.21	1.99	12.34	2.01	12.49	2.04	12.84	2.08	13.26	2.12
							12	8.49	1.94	11.65	1.99	11.90	2.04	12.04	2.06	12.20	2.08	12.57	2.13	13.00	2.17
							14	8.49	1.99	11.34	2.04	11.60	2.09	11.75	2.11	11.92	2.13	12.31	2.17	12.75	2.22
							16	8.49	2.04	11.04	2.09	11.32	2.14	11.48	2.16	11.66	2.18	12.06	2.22	12.52	2.27
							18	8.49	2.10	10.76	2.14	11.05	2.19	11.22	2.21	11.40	2.23	11.82	2.28	12.30	2.32
							20	8.49	2.15	10.48	2.20	10.79	2.24	10.97	2.26	11.16	2.29	11.60	2.33	12.09	2.37
							21	8.49	2.18	10.35	2.22	10.67	2.27	10.85	2.29	11.05	2.31	11.49	2.35	11.99	2.40
							23	8.49	2.23	10.10	2.28	10.43	2.32	10.62	2.35	10.83	2.37	11.29	2.41	11.81	2.45
							25	8.49	2.29	9.86	2.34	10.21	2.38	10.41	2.40	10.62	2.42	11.10	2.47	11.63	2.51
							27	8.49	2.35	9.64	2.39	10.00	2.44	10.21	2.46	10.43	2.48	10.92	2.52	11.47	2.56
							29	8.49	2.41	9.42	2.45	9.81	2.50	10.02	2.52	10.25	2.54	10.76	2.58	11.33	2.62
							31	8.49	2.47	9.22	2.51	9.62	2.56	9.85	2.58	10.09	2.60	10.61	2.64	11.20	2.68
							33	8.49	2.53	9.04	2.58	9.46	2.62	9.69	2.64	9.93	2.66	10.47	2.71	11.08	2.74
							35	8.49	2.60	8.87	2.64	9.30	2.69	9.61	2.70	9.79	2.73	10.35	2.77	10.97	2.81
							37	8.49	2.66	8.71	2.71	9.16	2.75	9.41	2.77	9.67	2.79	10.24	2.83	10.88	2.87
							39	8.49	2.73	8.56	2.77	9.03	2.82	9.28	2.84	9.56	2.86	10.15	2.90	10.80	2.94
42	8.49	2.83	8.37	2.88	8.86	2.92	9.13	2.94	9.41	2.96	10.03	3.00	10.70	3.04							
44	8.49	2.90	8.26	2.95	8.76	2.99	9.04	3.01	9.33	3.03	9.97	3.07	10.66	3.11							
46	8.49	2.97	8.16	3.02	8.68	3.06	8.97	3.08	9.27	3.10	9.92	3.14	10.63	3.18							
2000	2000	2000	2500	3500	12000	120%	10	8.58	1.93	12.10	1.98	12.33	2.03	12.47	2.05	12.62	2.07	12.98	2.12	13.39	2.16
							12	8.58	1.98	11.78	2.03	12.02	2.08	12.17	2.10	12.33	2.12	12.70	2.17	13.13	2.21
							14	8.58	2.03	11.46	2.08	11.72	2.13	11.88	2.15	12.05	2.17	12.43	2.21	12.88	2.26
							16	8.58	2.08	11.16	2.13	11.44	2.18	11.60	2.20	11.78	2.22	12.18	2.27	12.65	2.31
							18	8.58	2.13	10.87	2.18	11.16	2.23	11.34	2.25	11.52	2.27	11.94	2.32	12.42	2.36
							20	8.58	2.19	10.59	2.24	10.91	2.28	11.09	2.31	11.28	2.33	11.72	2.37	12.22	2.41
							21	8.58	2.22	10.46	2.26	10.78	2.31	10.97	2.33	11.16	2.36	11.61	2.40	12.12	2.44
							23	8.58	2.27	10.21	2.32	10.54	2.37	10.74	2.39	10.94	2.41	11.41	2.45	11.93	2.50
							25	8.58	2.33	9.96	2.38	10.32	2.42	10.52	2.45	10.73	2.47	11.21	2.51	11.75	2.55
							27	8.58	2.39	9.74	2.44	10.11	2.48	10.32	2.51	10.54	2.53	11.04	2.57	11.59	2.61
							29	8.58	2.45	9.52	2.50	9.91	2.54	10.13	2.57	10.36	2.59	10.87	2.63	11.45	2.67
							31	8.58	2.51	9.32	2.56	9.72	2.61	9.95	2.63	10.19	2.65	10.72	2.69	11.31	2.73
							33	8.58	2.58	9.13	2.62	9.55	2.67	9.79	2.69	10.04	2.71	10.58	2.76	11.19	2.80
							35	8.58	2.64	8.96	2.69	9.40	2.73	9.71	2.75	9.90	2.78	10.46	2.82	11.08	2.86
							37	8.58	2.71	8.80	2.76	9.25	2.80	9.50	2.82	9.77	2.84	10.35	2.89	10.99	2.93
							39	8.58	2.78	8.65	2.82	9.12	2.87	9.38	2.89	9.66	2.91	10.25	2.95	10.91	2.99
42	8.58	2.88	8.45	2.93	8.95	2.97	9.22	3.00	9.51	3.02	10.13	3.06	10.82	3.10							
44	8.58	2.96	8.34	3.00	8.86	3.05	9.14	3.07	9.43	3.09	10.07	3.13	10.77	3.17							
46	8.58	3.03	8.24	3.07	8.77	3.12	9.06	3.14	9.36	3.16	10.02	3.20	10.74	3.24							

# 12. Capacity Table

## 12-7. AJ100MCJ5EH/EU

### COOLING

Combination (Capacity Index)					Combination (Total)	Combination (%)	Outdoor Temperature (°C, DB)	Indoor Temperature (°C, WB)													
								14		16		18		19		20		22		24	
								TC(kW)	PI(kW)	TC(kW)	PI(kW)	TC(kW)	PI(kW)	TC(kW)	PI(kW)	TC(kW)	PI(kW)	TC(kW)	PI(kW)	TC(kW)	PI(kW)
2000	2000	2000	2500	5000	13500	135%	10	11.24	2.01	11.69	2.05	12.13	2.09	12.36	2.11	12.59	2.14	13.05	2.18	13.52	2.22
							12	11.05	2.06	11.49	2.10	11.94	2.15	12.17	2.17	12.40	2.19	12.86	2.23	13.33	2.28
							14	10.85	2.12	11.30	2.16	11.75	2.20	11.97	2.22	12.20	2.25	12.67	2.29	13.14	2.33
							16	10.66	2.17	11.10	2.21	11.55	2.26	11.78	2.28	12.01	2.30	12.48	2.35	12.95	2.39
							18	10.47	2.23	10.91	2.27	11.36	2.32	11.59	2.34	11.82	2.36	12.29	2.40	12.76	2.45
							20	10.27	2.29	10.72	2.33	11.17	2.37	11.40	2.40	11.63	2.42	12.10	2.46	12.57	2.51
							21	10.18	2.31	10.62	2.36	11.08	2.40	11.30	2.43	11.54	2.45	12.00	2.49	12.47	2.54
							23	9.98	2.37	10.43	2.42	10.88	2.46	11.11	2.49	11.35	2.51	11.81	2.55	12.29	2.60
							25	9.79	2.43	10.24	2.48	10.69	2.52	10.92	2.55	11.16	2.57	11.62	2.61	12.10	2.66
							27	9.60	2.50	10.05	2.54	10.50	2.59	10.73	2.61	10.97	2.63	11.44	2.68	11.91	2.72
							29	9.41	2.56	9.86	2.60	10.32	2.65	10.55	2.67	10.78	2.69	11.25	2.74	11.72	2.79
							31	9.22	2.62	9.67	2.67	10.13	2.71	10.36	2.74	10.59	2.76	11.06	2.80	11.54	2.85
							33	9.03	2.69	9.48	2.73	9.94	2.78	10.17	2.80	10.40	2.82	10.87	2.87	11.35	2.92
							35	8.84	2.75	9.29	2.80	9.75	2.84	10.00	2.86	10.22	2.89	10.69	2.94	11.17	2.98
							37	8.65	2.82	9.10	2.86	9.56	2.91	9.79	2.93	10.03	2.96	10.50	3.00	10.98	3.05
							39	8.46	2.88	8.92	2.93	9.38	2.98	9.61	3.00	9.84	3.02	10.32	3.07	10.80	3.12
							42	8.18	2.99	8.63	3.03	9.10	3.08	9.33	3.10	9.56	3.13	10.04	3.18	10.52	3.22
44	7.99	3.06	8.45	3.10	8.91	3.15	9.14	3.18	9.38	3.20	9.86	3.25	10.34	3.29							
46	7.80	3.13	8.26	3.17	8.73	3.22	8.96	3.25	9.20	3.27	9.67	3.32	10.16	3.37							
2000	2000	2000	2500	6800	15300	153%	10	11.24	1.99	11.69	2.03	12.13	2.07	12.36	2.09	12.59	2.11	13.05	2.15	13.52	2.20
							12	11.05	2.04	11.49	2.08	11.94	2.12	12.17	2.15	12.40	2.17	12.86	2.21	13.33	2.25
							14	10.85	2.09	11.30	2.14	11.75	2.18	11.97	2.20	12.20	2.22	12.67	2.26	13.14	2.31
							16	10.66	2.15	11.10	2.19	11.55	2.23	11.78	2.26	12.01	2.28	12.48	2.32	12.95	2.36
							18	10.47	2.20	10.91	2.25	11.36	2.29	11.59	2.31	11.82	2.33	12.29	2.38	12.76	2.42
							20	10.27	2.26	10.72	2.31	11.17	2.35	11.40	2.37	11.63	2.39	12.10	2.44	12.57	2.48
							21	10.18	2.29	10.62	2.33	11.08	2.38	11.30	2.40	11.54	2.42	12.00	2.47	12.47	2.51
							23	9.98	2.35	10.43	2.39	10.88	2.44	11.11	2.46	11.35	2.48	11.81	2.53	12.29	2.57
							25	9.79	2.41	10.24	2.45	10.69	2.50	10.92	2.52	11.16	2.54	11.62	2.59	12.10	2.63
							27	9.60	2.47	10.05	2.51	10.50	2.56	10.73	2.58	10.97	2.60	11.44	2.65	11.91	2.69
							29	9.41	2.53	9.86	2.58	10.32	2.62	10.55	2.64	10.78	2.67	11.25	2.71	11.72	2.76
							31	9.22	2.59	9.67	2.64	10.13	2.68	10.36	2.71	10.59	2.73	11.06	2.77	11.54	2.82
							33	9.03	2.66	9.48	2.70	9.94	2.75	10.17	2.77	10.40	2.79	10.87	2.84	11.35	2.88
							35	8.84	2.72	9.29	2.77	9.75	2.81	10.00	2.83	10.22	2.86	10.69	2.90	11.17	2.95
							37	8.65	2.79	9.10	2.83	9.56	2.88	9.79	2.90	10.03	2.93	10.50	2.97	10.98	3.02
							39	8.46	2.85	8.92	2.90	9.38	2.95	9.61	2.97	9.84	2.99	10.32	3.04	10.80	3.09
							42	8.18	2.96	8.63	3.00	9.10	3.05	9.33	3.07	9.56	3.10	10.04	3.14	10.52	3.19
44	7.99	3.02	8.45	3.07	8.91	3.12	9.14	3.14	9.38	3.17	9.86	3.21	10.34	3.26							
46	7.80	3.09	8.26	3.14	8.73	3.19	8.96	3.21	9.20	3.24	9.67	3.28	10.16	3.33							

# 12. Capacity Table

## 12-7. AJ100MCJ5EH/EU

### COOLING

Combination (Capacity Index)					Combination (Total)	Combination (%)	Outdoor Temperature (°C, DB)	Indoor Temperature (°C, WB)															
								14		16		18		19		20		22		24			
								TC(kW)	PI(kW)	TC(kW)	PI(kW)	TC(kW)	PI(kW)	TC(kW)	PI(kW)	TC(kW)	PI(kW)	TC(kW)	PI(kW)	TC(kW)	PI(kW)		
2000	2000	2000	3500	3500	13000	130%	10	11.24	1.96	11.69	2.01	12.13	2.05	12.36	2.07	12.59	2.09	13.05	2.13	13.52	2.17		
							12	11.05	2.02	11.49	2.06	11.94	2.10	12.17	2.12	12.40	2.14	12.86	2.19	13.33	2.23		
							14	10.85	2.07	11.30	2.11	11.75	2.16	11.97	2.18	12.20	2.20	12.67	2.24	13.14	2.28		
							16	10.66	2.13	11.10	2.17	11.55	2.21	11.78	2.23	12.01	2.25	12.48	2.30	12.95	2.34		
							18	10.47	2.18	10.91	2.22	11.36	2.27	11.59	2.29	11.82	2.31	12.29	2.35	12.76	2.40		
							20	10.27	2.24	10.72	2.28	11.17	2.32	11.40	2.35	11.63	2.37	12.10	2.41	12.57	2.45		
							21	10.18	2.27	10.62	2.31	11.08	2.35	11.30	2.37	11.54	2.40	12.00	2.44	12.47	2.48		
							23	9.98	2.32	10.43	2.37	10.88	2.41	11.11	2.43	11.35	2.46	11.81	2.50	12.29	2.54		
							25	9.79	2.38	10.24	2.43	10.69	2.47	10.92	2.49	11.16	2.51	11.62	2.56	12.10	2.60		
							27	9.60	2.44	10.05	2.49	10.50	2.53	10.73	2.55	10.97	2.58	11.44	2.62	11.91	2.66		
							29	9.41	2.50	9.86	2.55	10.32	2.59	10.55	2.62	10.78	2.64	11.25	2.68	11.72	2.73		
							31	9.22	2.57	9.67	2.61	10.13	2.66	10.36	2.68	10.59	2.70	11.06	2.75	11.54	2.79		
							33	9.03	2.63	9.48	2.67	9.94	2.72	10.17	2.74	10.40	2.76	10.87	2.81	11.35	2.85		
							35	8.84	2.69	9.29	2.74	9.75	2.78	10.00	2.80	10.22	2.83	10.69	2.87	11.17	2.92		
							37	8.65	2.76	9.10	2.80	9.56	2.85	9.79	2.87	10.03	2.89	10.50	2.94	10.98	2.99		
							39	8.46	2.82	8.92	2.87	9.38	2.92	9.61	2.94	9.84	2.96	10.32	3.01	10.80	3.05		
							42	8.18	2.92	8.63	2.97	9.10	3.02	9.33	3.04	9.56	3.06	10.04	3.11	10.52	3.16		
44	7.99	2.99	8.45	3.04	8.91	3.09	9.14	3.11	9.38	3.13	9.86	3.18	10.34	3.23									
46	7.80	3.06	8.26	3.11	8.73	3.16	8.96	3.18	9.20	3.20	9.67	3.25	10.16	3.30									
2000	2000	2000	3500	5000	14500	145%	10	11.24	1.98	11.69	2.02	12.13	2.06	12.36	2.08	12.59	2.11	13.05	2.15	13.52	2.19		
							12	11.05	2.03	11.49	2.07	11.94	2.12	12.17	2.14	12.40	2.16	12.86	2.20	13.33	2.24		
							14	10.85	2.09	11.30	2.13	11.75	2.17	11.97	2.19	12.20	2.21	12.67	2.26	13.14	2.30		
							16	10.66	2.14	11.10	2.18	11.55	2.23	11.78	2.25	12.01	2.27	12.48	2.31	12.95	2.36		
							18	10.47	2.20	10.91	2.24	11.36	2.28	11.59	2.30	11.82	2.33	12.29	2.37	12.76	2.41		
							20	10.27	2.25	10.72	2.30	11.17	2.34	11.40	2.36	11.63	2.38	12.10	2.43	12.57	2.47		
							21	10.18	2.28	10.62	2.33	11.08	2.37	11.30	2.39	11.54	2.41	12.00	2.46	12.47	2.50		
							23	9.98	2.34	10.43	2.38	10.88	2.43	11.11	2.45	11.35	2.47	11.81	2.52	12.29	2.56		
							25	9.79	2.40	10.24	2.44	10.69	2.49	10.92	2.51	11.16	2.53	11.62	2.58	12.10	2.62		
							27	9.60	2.46	10.05	2.50	10.50	2.55	10.73	2.57	10.97	2.59	11.44	2.64	11.91	2.68		
							29	9.41	2.52	9.86	2.57	10.32	2.61	10.55	2.63	10.78	2.66	11.25	2.70	11.72	2.75		
							31	9.22	2.58	9.67	2.63	10.13	2.67	10.36	2.70	10.59	2.72	11.06	2.76	11.54	2.81		
							33	9.03	2.65	9.48	2.69	9.94	2.74	10.17	2.76	10.40	2.78	10.87	2.83	11.35	2.87		
							35	8.84	2.71	9.29	2.76	9.75	2.80	10.00	2.82	10.22	2.85	10.69	2.89	11.17	2.94		
							37	8.65	2.78	9.10	2.82	9.56	2.87	9.79	2.89	10.03	2.92	10.50	2.96	10.98	3.01		
							39	8.46	2.84	8.92	2.89	9.38	2.94	9.61	2.96	9.84	2.98	10.32	3.03	10.80	3.07		
							42	8.18	2.94	8.63	2.99	9.10	3.04	9.33	3.06	9.56	3.08	10.04	3.13	10.52	3.18		
44	7.99	3.01	8.45	3.06	8.91	3.11	9.14	3.13	9.38	3.15	9.86	3.20	10.34	3.25									
46	7.80	3.08	8.26	3.13	8.73	3.18	8.96	3.20	9.20	3.22	9.67	3.27	10.16	3.32									

# 12. Capacity Table

## 12-7. AJ100MCJ5EH/EU

### COOLING

Combination (Capacity Index)						Combination (Total)	Combination (%)	Outdoor Temperature (°C, DB)	Indoor Temperature (°C, WB)													
									14		16		18		19		20		22		24	
									TC(kW)	PI(kW)	TC(kW)	PI(kW)	TC(kW)	PI(kW)	TC(kW)	PI(kW)	TC(kW)	PI(kW)	TC(kW)	PI(kW)	TC(kW)	PI(kW)
2000	2000	2000	3500	6800	16300	163%	10	11.24	2.02	11.69	2.06	12.13	2.11	12.36	2.13	12.59	2.15	13.05	2.19	13.52	2.24	
							12	11.05	2.07	11.49	2.12	11.94	2.16	12.17	2.18	12.40	2.20	12.86	2.25	13.33	2.29	
							14	10.85	2.13	11.30	2.17	11.75	2.22	11.97	2.24	12.20	2.26	12.67	2.30	13.14	2.35	
							16	10.66	2.19	11.10	2.23	11.55	2.27	11.78	2.30	12.01	2.32	12.48	2.36	12.95	2.41	
							18	10.47	2.24	10.91	2.29	11.36	2.33	11.59	2.35	11.82	2.38	12.29	2.42	12.76	2.46	
							20	10.27	2.30	10.72	2.35	11.17	2.39	11.40	2.41	11.63	2.43	12.10	2.48	12.57	2.52	
							21	10.18	2.33	10.62	2.38	11.08	2.42	11.30	2.44	11.54	2.46	12.00	2.51	12.47	2.55	
							23	9.98	2.39	10.43	2.44	10.88	2.48	11.11	2.50	11.35	2.53	11.81	2.57	12.29	2.62	
							25	9.79	2.45	10.24	2.50	10.69	2.54	10.92	2.56	11.16	2.59	11.62	2.63	12.10	2.68	
							27	9.60	2.51	10.05	2.56	10.50	2.60	10.73	2.63	10.97	2.65	11.44	2.69	11.91	2.74	
							29	9.41	2.58	9.86	2.62	10.32	2.67	10.55	2.69	10.78	2.71	11.25	2.76	11.72	2.80	
							31	9.22	2.64	9.67	2.69	10.13	2.73	10.36	2.75	10.59	2.78	11.06	2.82	11.54	2.87	
							33	9.03	2.70	9.48	2.75	9.94	2.80	10.17	2.82	10.40	2.84	10.87	2.89	11.35	2.94	
							35	8.84	2.77	9.29	2.82	9.75	2.86	10.00	2.88	10.22	2.91	10.69	2.96	11.17	3.00	
							37	8.65	2.84	9.10	2.88	9.56	2.93	9.79	2.95	10.03	2.98	10.50	3.02	10.98	3.07	
							39	8.46	2.90	8.92	2.95	9.38	3.00	9.61	3.02	9.84	3.05	10.32	3.09	10.80	3.14	
42	8.18	3.01	8.63	3.06	9.10	3.10	9.33	3.13	9.56	3.15	10.04	3.20	10.52	3.25								
44	7.99	3.08	8.45	3.13	8.91	3.17	9.14	3.20	9.38	3.22	9.86	3.27	10.34	3.32								
46	7.80	3.15	8.26	3.20	8.73	3.25	8.96	3.27	9.20	3.29	9.67	3.34	10.16	3.39								
2000	2000	2000	5000	5000	16000	160%	10	11.24	2.02	11.69	2.06	12.13	2.11	12.36	2.13	12.59	2.15	13.05	2.19	13.52	2.24	
							12	11.05	2.07	11.49	2.12	11.94	2.16	12.17	2.18	12.40	2.20	12.86	2.25	13.33	2.29	
							14	10.85	2.13	11.30	2.17	11.75	2.22	11.97	2.24	12.20	2.26	12.67	2.30	13.14	2.35	
							16	10.66	2.19	11.10	2.23	11.55	2.27	11.78	2.30	12.01	2.32	12.48	2.36	12.95	2.41	
							18	10.47	2.24	10.91	2.29	11.36	2.33	11.59	2.35	11.82	2.38	12.29	2.42	12.76	2.46	
							20	10.27	2.30	10.72	2.35	11.17	2.39	11.40	2.41	11.63	2.43	12.10	2.48	12.57	2.52	
							21	10.18	2.33	10.62	2.38	11.08	2.42	11.30	2.44	11.54	2.46	12.00	2.51	12.47	2.55	
							23	9.98	2.39	10.43	2.44	10.88	2.48	11.11	2.50	11.35	2.53	11.81	2.57	12.29	2.62	
							25	9.79	2.45	10.24	2.50	10.69	2.54	10.92	2.56	11.16	2.59	11.62	2.63	12.10	2.68	
							27	9.60	2.51	10.05	2.56	10.50	2.60	10.73	2.63	10.97	2.65	11.44	2.69	11.91	2.74	
							29	9.41	2.58	9.86	2.62	10.32	2.67	10.55	2.69	10.78	2.71	11.25	2.76	11.72	2.80	
							31	9.22	2.64	9.67	2.69	10.13	2.73	10.36	2.75	10.59	2.78	11.06	2.82	11.54	2.87	
							33	9.03	2.70	9.48	2.75	9.94	2.80	10.17	2.82	10.40	2.84	10.87	2.89	11.35	2.94	
							35	8.84	2.77	9.29	2.82	9.75	2.86	10.00	2.88	10.22	2.91	10.69	2.96	11.17	3.00	
							37	8.65	2.84	9.10	2.88	9.56	2.93	9.79	2.95	10.03	2.98	10.50	3.02	10.98	3.07	
							39	8.46	2.90	8.92	2.95	9.38	3.00	9.61	3.02	9.84	3.05	10.32	3.09	10.80	3.14	
42	8.18	3.01	8.63	3.06	9.10	3.10	9.33	3.13	9.56	3.15	10.04	3.20	10.52	3.25								
44	7.99	3.08	8.45	3.13	8.91	3.17	9.14	3.20	9.38	3.22	9.86	3.27	10.34	3.32								
46	7.80	3.15	8.26	3.20	8.73	3.25	8.96	3.27	9.20	3.29	9.67	3.34	10.16	3.39								

# 12. Capacity Table

## 12-7. AJ100MCJ5EH/EU

### COOLING

Combination (Capacity Index)					Combination (Total)	Combination (%)	Outdoor Temperature (°C, DB)	Indoor Temperature (°C, WB)													
								14		16		18		19		20		22		24	
								TC(kW)	PI(kW)	TC(kW)	PI(kW)	TC(kW)	PI(kW)	TC(kW)	PI(kW)	TC(kW)	PI(kW)	TC(kW)	PI(kW)	TC(kW)	PI(kW)
2000	2000	2500	2500	2500	11500	115%	10	8.54	1.92	12.04	1.97	12.27	2.02	12.41	2.04	12.56	2.07	12.91	2.11	13.32	2.15
							12	8.54	1.97	11.71	2.02	11.96	2.07	12.10	2.09	12.27	2.11	12.63	2.16	13.06	2.20
							14	8.54	2.02	11.40	2.07	11.66	2.12	11.82	2.14	11.98	2.16	12.37	2.21	12.82	2.25
							16	8.54	2.07	11.10	2.12	11.38	2.17	11.54	2.19	11.72	2.21	12.12	2.26	12.58	2.30
							18	8.54	2.13	10.81	2.17	11.11	2.22	11.28	2.24	11.46	2.27	11.88	2.31	12.36	2.35
							20	8.54	2.18	10.54	2.23	10.85	2.28	11.03	2.30	11.22	2.32	11.66	2.36	12.15	2.40
							21	8.54	2.21	10.41	2.26	10.73	2.30	10.91	2.32	11.11	2.35	11.55	2.39	12.05	2.43
							23	8.54	2.27	10.15	2.31	10.49	2.36	10.68	2.38	10.89	2.40	11.35	2.45	11.87	2.49
							25	8.54	2.32	9.91	2.37	10.27	2.42	10.46	2.44	10.68	2.46	11.16	2.50	11.69	2.54
							27	8.54	2.38	9.69	2.43	10.05	2.47	10.26	2.50	10.49	2.52	10.98	2.56	11.53	2.60
							29	8.54	2.44	9.47	2.49	9.86	2.54	10.07	2.56	10.31	2.58	10.82	2.62	11.39	2.66
							31	8.54	2.51	9.27	2.55	9.67	2.60	9.90	2.62	10.14	2.64	10.67	2.68	11.25	2.72
							33	8.54	2.57	9.08	2.62	9.50	2.66	9.74	2.68	9.99	2.70	10.53	2.75	11.13	2.79
							35	8.54	2.63	8.91	2.68	9.35	2.72	9.66	2.74	9.85	2.77	10.41	2.81	11.03	2.85
							37	8.54	2.70	8.75	2.75	9.20	2.79	9.45	2.81	9.72	2.83	10.30	2.88	10.93	2.91
							39	8.54	2.77	8.61	2.81	9.08	2.86	9.33	2.88	9.61	2.90	10.20	2.94	10.85	2.98
42	8.54	2.87	8.41	2.92	8.91	2.96	9.18	2.98	9.46	3.01	10.08	3.05	10.76	3.09							
44	8.54	2.94	8.30	2.99	8.81	3.03	9.09	3.06	9.38	3.08	10.02	3.12	10.71	3.16							
46	8.54	3.02	8.20	3.06	8.73	3.11	9.01	3.13	9.32	3.15	9.97	3.19	10.68	3.23							
2000	2000	2500	2500	3500	12500	125%	10	8.84	1.97	12.47	2.02	12.70	2.06	12.84	2.09	13.00	2.11	13.37	2.16	13.79	2.20
							12	8.84	2.02	12.13	2.07	12.38	2.11	12.53	2.14	12.70	2.16	13.08	2.20	13.52	2.25
							14	8.84	2.07	11.80	2.12	12.07	2.16	12.23	2.19	12.41	2.21	12.80	2.25	13.27	2.30
							16	8.84	2.12	11.49	2.17	11.78	2.22	11.95	2.24	12.13	2.26	12.54	2.31	13.02	2.35
							18	8.84	2.17	11.19	2.22	11.50	2.27	11.67	2.29	11.87	2.32	12.30	2.36	12.80	2.40
							20	8.84	2.23	10.91	2.28	11.23	2.32	11.42	2.35	11.62	2.37	12.07	2.41	12.58	2.46
							21	8.84	2.26	10.77	2.31	11.10	2.35	11.29	2.38	11.50	2.40	11.96	2.44	12.48	2.48
							23	8.84	2.31	10.51	2.36	10.86	2.41	11.06	2.43	11.27	2.46	11.75	2.50	12.29	2.54
							25	8.84	2.37	10.26	2.42	10.63	2.47	10.83	2.49	11.06	2.51	11.55	2.56	12.11	2.60
							27	8.84	2.43	10.03	2.48	10.41	2.53	10.62	2.55	10.86	2.57	11.37	2.62	11.94	2.66
							29	8.84	2.50	9.81	2.54	10.20	2.59	10.43	2.61	10.67	2.64	11.20	2.68	11.79	2.72
							31	8.84	2.56	9.60	2.61	10.02	2.65	10.25	2.68	10.50	2.70	11.04	2.74	11.65	2.78
							33	8.84	2.62	9.40	2.67	9.84	2.72	10.08	2.74	10.34	2.76	10.90	2.81	11.53	2.85
							35	8.84	2.69	9.23	2.74	9.68	2.78	10.00	2.80	10.19	2.83	10.77	2.87	11.41	2.91
							37	8.84	2.76	9.06	2.81	9.53	2.85	9.79	2.87	10.06	2.90	10.66	2.94	11.32	2.98
							39	8.84	2.83	8.91	2.88	9.39	2.92	9.66	2.94	9.94	2.96	10.56	3.01	11.24	3.05
42	8.84	2.94	8.71	2.98	9.22	3.03	9.50	3.05	9.80	3.07	10.43	3.11	11.14	3.15							
44	8.84	3.01	8.59	3.06	9.12	3.10	9.41	3.12	9.71	3.14	10.37	3.19	11.09	3.23							
46	8.84	3.08	8.49	3.13	9.03	3.17	9.33	3.20	9.64	3.22	10.32	3.26	11.06	3.30							

# 12. Capacity Table

## 12-7. AJ100MCJ5EH/EU

### COOLING

Combination (Capacity Index)					Combination (Total)	Combination (%)	Outdoor Temperature (°C, DB)	Indoor Temperature (°C, WB)													
								14		16		18		19		20		22		24	
								TC(kW)	PI(kW)	TC(kW)	PI(kW)	TC(kW)	PI(kW)	TC(kW)	PI(kW)	TC(kW)	PI(kW)	TC(kW)	PI(kW)	TC(kW)	PI(kW)
2000	2000	2500	2500	5000	14000	140%	10	11.24	2.01	11.69	2.05	12.13	2.09	12.36	2.11	12.59	2.14	13.05	2.18	13.52	2.22
							12	11.05	2.06	11.49	2.10	11.94	2.15	12.17	2.17	12.40	2.19	12.86	2.23	13.33	2.28
							14	10.85	2.12	11.30	2.16	11.75	2.20	11.97	2.22	12.20	2.25	12.67	2.29	13.14	2.33
							16	10.66	2.17	11.10	2.21	11.55	2.26	11.78	2.28	12.01	2.30	12.48	2.35	12.95	2.39
							18	10.47	2.23	10.91	2.27	11.36	2.32	11.59	2.34	11.82	2.36	12.29	2.40	12.76	2.45
							20	10.27	2.29	10.72	2.33	11.17	2.37	11.40	2.40	11.63	2.42	12.10	2.46	12.57	2.51
							21	10.18	2.31	10.62	2.36	11.08	2.40	11.30	2.43	11.54	2.45	12.00	2.49	12.47	2.54
							23	9.98	2.37	10.43	2.42	10.88	2.46	11.11	2.49	11.35	2.51	11.81	2.55	12.29	2.60
							25	9.79	2.43	10.24	2.48	10.69	2.52	10.92	2.55	11.16	2.57	11.62	2.61	12.10	2.66
							27	9.60	2.50	10.05	2.54	10.50	2.59	10.73	2.61	10.97	2.63	11.44	2.68	11.91	2.72
							29	9.41	2.56	9.86	2.60	10.32	2.65	10.55	2.67	10.78	2.69	11.25	2.74	11.72	2.79
							31	9.22	2.62	9.67	2.67	10.13	2.71	10.36	2.74	10.59	2.76	11.06	2.80	11.54	2.85
							33	9.03	2.69	9.48	2.73	9.94	2.78	10.17	2.80	10.40	2.82	10.87	2.87	11.35	2.92
							35	8.84	2.75	9.29	2.80	9.75	2.84	10.00	2.86	10.22	2.89	10.69	2.94	11.17	2.98
							37	8.65	2.82	9.10	2.86	9.56	2.91	9.79	2.93	10.03	2.96	10.50	3.00	10.98	3.05
							39	8.46	2.88	8.92	2.93	9.38	2.98	9.61	3.00	9.84	3.02	10.32	3.07	10.80	3.12
42	8.18	2.99	8.63	3.03	9.10	3.08	9.33	3.10	9.56	3.13	10.04	3.18	10.52	3.22							
44	7.99	3.06	8.45	3.10	8.91	3.15	9.14	3.18	9.38	3.20	9.86	3.25	10.34	3.29							
46	7.80	3.13	8.26	3.17	8.73	3.22	8.96	3.25	9.20	3.27	9.67	3.32	10.16	3.37							
2000	2000	2500	2500	6800	15800	158%	10	11.24	2.02	11.69	2.06	12.13	2.11	12.36	2.13	12.59	2.15	13.05	2.19	13.52	2.24
							12	11.05	2.07	11.49	2.12	11.94	2.16	12.17	2.18	12.40	2.20	12.86	2.25	13.33	2.29
							14	10.85	2.13	11.30	2.17	11.75	2.22	11.97	2.24	12.20	2.26	12.67	2.30	13.14	2.35
							16	10.66	2.19	11.10	2.23	11.55	2.27	11.78	2.30	12.01	2.32	12.48	2.36	12.95	2.41
							18	10.47	2.24	10.91	2.29	11.36	2.33	11.59	2.35	11.82	2.38	12.29	2.42	12.76	2.46
							20	10.27	2.30	10.72	2.35	11.17	2.39	11.40	2.41	11.63	2.43	12.10	2.48	12.57	2.52
							21	10.18	2.33	10.62	2.38	11.08	2.42	11.30	2.44	11.54	2.46	12.00	2.51	12.47	2.55
							23	9.98	2.39	10.43	2.44	10.88	2.48	11.11	2.50	11.35	2.53	11.81	2.57	12.29	2.62
							25	9.79	2.45	10.24	2.50	10.69	2.54	10.92	2.56	11.16	2.59	11.62	2.63	12.10	2.68
							27	9.60	2.51	10.05	2.56	10.50	2.60	10.73	2.63	10.97	2.65	11.44	2.69	11.91	2.74
							29	9.41	2.58	9.86	2.62	10.32	2.67	10.55	2.69	10.78	2.71	11.25	2.76	11.72	2.80
							31	9.22	2.64	9.67	2.69	10.13	2.73	10.36	2.75	10.59	2.78	11.06	2.82	11.54	2.87
							33	9.03	2.70	9.48	2.75	9.94	2.80	10.17	2.82	10.40	2.84	10.87	2.89	11.35	2.94
							35	8.84	2.77	9.29	2.82	9.75	2.86	10.00	2.88	10.22	2.91	10.69	2.96	11.17	3.00
							37	8.65	2.84	9.10	2.88	9.56	2.93	9.79	2.95	10.03	2.98	10.50	3.02	10.98	3.07
							39	8.46	2.90	8.92	2.95	9.38	3.00	9.61	3.02	9.84	3.05	10.32	3.09	10.80	3.14
42	8.18	3.01	8.63	3.06	9.10	3.10	9.33	3.13	9.56	3.15	10.04	3.20	10.52	3.25							
44	7.99	3.08	8.45	3.13	8.91	3.17	9.14	3.20	9.38	3.22	9.86	3.27	10.34	3.32							
46	7.80	3.15	8.26	3.20	8.73	3.25	8.96	3.27	9.20	3.29	9.67	3.34	10.16	3.39							

# 12. Capacity Table

## 12-7. AJ100MCJ5EH/EU

### COOLING

Combination (Capacity Index)					Combination (Total)	Combination (%)	Outdoor Temperature (°C, DB)	Indoor Temperature (°C, WB)															
								14		16		18		19		20		22		24			
								TC(kW)	PI(kW)	TC(kW)	PI(kW)	TC(kW)	PI(kW)	TC(kW)	PI(kW)	TC(kW)	PI(kW)	TC(kW)	PI(kW)	TC(kW)	PI(kW)		
2000	2000	2500	3500	3500	13500	135%	10	11.24	2.00	11.69	2.04	12.13	2.08	12.36	2.11	12.59	2.13	13.05	2.17	13.52	2.21		
							12	11.05	2.05	11.49	2.10	11.94	2.14	12.17	2.16	12.40	2.18	12.86	2.22	13.33	2.27		
							14	10.85	2.11	11.30	2.15	11.75	2.19	11.97	2.22	12.20	2.24	12.67	2.28	13.14	2.32		
							16	10.66	2.16	11.10	2.21	11.55	2.25	11.78	2.27	12.01	2.29	12.48	2.34	12.95	2.38		
							18	10.47	2.22	10.91	2.26	11.36	2.31	11.59	2.33	11.82	2.35	12.29	2.39	12.76	2.44		
							20	10.27	2.28	10.72	2.32	11.17	2.37	11.40	2.39	11.63	2.41	12.10	2.45	12.57	2.50		
							21	10.18	2.31	10.62	2.35	11.08	2.39	11.30	2.42	11.54	2.44	12.00	2.48	12.47	2.53		
							23	9.98	2.37	10.43	2.41	10.88	2.45	11.11	2.48	11.35	2.50	11.81	2.54	12.29	2.59		
							25	9.79	2.43	10.24	2.47	10.69	2.52	10.92	2.54	11.16	2.56	11.62	2.60	12.10	2.65		
							27	9.60	2.49	10.05	2.53	10.50	2.58	10.73	2.60	10.97	2.62	11.44	2.67	11.91	2.71		
							29	9.41	2.55	9.86	2.59	10.32	2.64	10.55	2.66	10.78	2.68	11.25	2.73	11.72	2.78		
							31	9.22	2.61	9.67	2.66	10.13	2.70	10.36	2.73	10.59	2.75	11.06	2.79	11.54	2.84		
							33	9.03	2.68	9.48	2.72	9.94	2.77	10.17	2.79	10.40	2.81	10.87	2.86	11.35	2.91		
							35	8.84	2.74	9.29	2.79	9.75	2.83	10.00	2.85	10.22	2.88	10.69	2.93	11.17	2.97		
							37	8.65	2.81	9.10	2.85	9.56	2.90	9.79	2.92	10.03	2.95	10.50	2.99	10.98	3.04		
							39	8.46	2.87	8.92	2.92	9.38	2.97	9.61	2.99	9.84	3.01	10.32	3.06	10.80	3.11		
							42	8.18	2.98	8.63	3.02	9.10	3.07	9.33	3.09	9.56	3.12	10.04	3.16	10.52	3.21		
44	7.99	3.05	8.45	3.09	8.91	3.14	9.14	3.16	9.38	3.19	9.86	3.24	10.34	3.28									
46	7.80	3.12	8.26	3.16	8.73	3.21	8.96	3.24	9.20	3.26	9.67	3.31	10.16	3.35									
2000	2000	2500	3500	5000	15000	150%	10	11.24	1.98	11.69	2.02	12.13	2.06	12.36	2.08	12.59	2.11	13.05	2.15	13.52	2.19		
							12	11.05	2.03	11.49	2.07	11.94	2.12	12.17	2.14	12.40	2.16	12.86	2.20	13.33	2.24		
							14	10.85	2.09	11.30	2.13	11.75	2.17	11.97	2.19	12.20	2.21	12.67	2.26	13.14	2.30		
							16	10.66	2.14	11.10	2.18	11.55	2.23	11.78	2.25	12.01	2.27	12.48	2.31	12.95	2.36		
							18	10.47	2.20	10.91	2.24	11.36	2.28	11.59	2.30	11.82	2.33	12.29	2.37	12.76	2.41		
							20	10.27	2.25	10.72	2.30	11.17	2.34	11.40	2.36	11.63	2.38	12.10	2.43	12.57	2.47		
							21	10.18	2.28	10.62	2.33	11.08	2.37	11.30	2.39	11.54	2.41	12.00	2.46	12.47	2.50		
							23	9.98	2.34	10.43	2.38	10.88	2.43	11.11	2.45	11.35	2.47	11.81	2.52	12.29	2.56		
							25	9.79	2.40	10.24	2.44	10.69	2.49	10.92	2.51	11.16	2.53	11.62	2.58	12.10	2.62		
							27	9.60	2.46	10.05	2.50	10.50	2.55	10.73	2.57	10.97	2.59	11.44	2.64	11.91	2.68		
							29	9.41	2.52	9.86	2.57	10.32	2.61	10.55	2.63	10.78	2.66	11.25	2.70	11.72	2.75		
							31	9.22	2.58	9.67	2.63	10.13	2.67	10.36	2.70	10.59	2.72	11.06	2.76	11.54	2.81		
							33	9.03	2.65	9.48	2.69	9.94	2.74	10.17	2.76	10.40	2.78	10.87	2.83	11.35	2.87		
							35	8.84	2.71	9.29	2.76	9.75	2.80	10.00	2.82	10.22	2.85	10.69	2.89	11.17	2.94		
							37	8.65	2.78	9.10	2.82	9.56	2.87	9.79	2.89	10.03	2.92	10.50	2.96	10.98	3.01		
							39	8.46	2.84	8.92	2.89	9.38	2.94	9.61	2.96	9.84	2.98	10.32	3.03	10.80	3.07		
							42	8.18	2.94	8.63	2.99	9.10	3.04	9.33	3.06	9.56	3.08	10.04	3.13	10.52	3.18		
44	7.99	3.01	8.45	3.06	8.91	3.11	9.14	3.13	9.38	3.15	9.86	3.20	10.34	3.25									
46	7.80	3.08	8.26	3.13	8.73	3.18	8.96	3.20	9.20	3.22	9.67	3.27	10.16	3.32									



# 12. Capacity Table

## 12-7. AJ100MCJ5EH/EU

### COOLING

Combination (Capacity Index)					Combination (Total)	Combination (%)	Outdoor Temperature (°C, DB)	Indoor Temperature (°C, WB)													
								14		16		18		19		20		22		24	
								TC(kW)	PI(kW)	TC(kW)	PI(kW)	TC(kW)	PI(kW)	TC(kW)	PI(kW)	TC(kW)	PI(kW)	TC(kW)	PI(kW)	TC(kW)	PI(kW)
2000	2000	2500	3500	6800	16800	168%	10	11.24	2.06	11.69	2.10	12.13	2.14	12.36	2.17	12.59	2.19	13.05	2.23	13.52	2.27
							12	11.05	2.11	11.49	2.15	11.94	2.20	12.17	2.22	12.40	2.24	12.86	2.29	13.33	2.33
							14	10.85	2.17	11.30	2.21	11.75	2.26	11.97	2.28	12.20	2.30	12.67	2.34	13.14	2.39
							16	10.66	2.22	11.10	2.27	11.55	2.31	11.78	2.34	12.01	2.36	12.48	2.40	12.95	2.45
							18	10.47	2.28	10.91	2.33	11.36	2.37	11.59	2.39	11.82	2.42	12.29	2.46	12.76	2.51
							20	10.27	2.34	10.72	2.39	11.17	2.43	11.40	2.45	11.63	2.48	12.10	2.52	12.57	2.57
							21	10.18	2.37	10.62	2.42	11.08	2.46	11.30	2.48	11.54	2.51	12.00	2.55	12.47	2.60
							23	9.98	2.43	10.43	2.48	10.88	2.52	11.11	2.55	11.35	2.57	11.81	2.61	12.29	2.66
							25	9.79	2.49	10.24	2.54	10.69	2.59	10.92	2.61	11.16	2.63	11.62	2.68	12.10	2.72
							27	9.60	2.56	10.05	2.60	10.50	2.65	10.73	2.67	10.97	2.70	11.44	2.74	11.91	2.79
							29	9.41	2.62	9.86	2.67	10.32	2.71	10.55	2.74	10.78	2.76	11.25	2.81	11.72	2.85
							31	9.22	2.68	9.67	2.73	10.13	2.78	10.36	2.80	10.59	2.83	11.06	2.87	11.54	2.92
							33	9.03	2.75	9.48	2.80	9.94	2.85	10.17	2.87	10.40	2.89	10.87	2.94	11.35	2.99
							35	8.84	2.82	9.29	2.87	9.75	2.91	10.00	2.93	10.22	2.96	10.69	3.01	11.17	3.06
							37	8.65	2.89	9.10	2.93	9.56	2.98	9.79	3.00	10.03	3.03	10.50	3.08	10.98	3.12
39	8.46	2.95	8.92	3.00	9.38	3.05	9.61	3.07	9.84	3.10	10.32	3.15	10.80	3.19							
42	8.18	3.06	8.63	3.11	9.10	3.16	9.33	3.18	9.56	3.21	10.04	3.25	10.52	3.30							
44	7.99	3.13	8.45	3.18	8.91	3.23	9.14	3.25	9.38	3.28	9.86	3.33	10.34	3.37							
46	7.80	3.20	8.26	3.25	8.73	3.30	8.96	3.33	9.20	3.35	9.67	3.40	10.16	3.45							
2000	2000	2500	5000	5000	16500	165%	10	11.24	2.06	11.69	2.10	12.13	2.14	12.36	2.17	12.59	2.19	13.05	2.23	13.52	2.27
							12	11.05	2.11	11.49	2.15	11.94	2.20	12.17	2.22	12.40	2.24	12.86	2.29	13.33	2.33
							14	10.85	2.17	11.30	2.21	11.75	2.26	11.97	2.28	12.20	2.30	12.67	2.34	13.14	2.39
							16	10.66	2.22	11.10	2.27	11.55	2.31	11.78	2.34	12.01	2.36	12.48	2.40	12.95	2.45
							18	10.47	2.28	10.91	2.33	11.36	2.37	11.59	2.39	11.82	2.42	12.29	2.46	12.76	2.51
							20	10.27	2.34	10.72	2.39	11.17	2.43	11.40	2.45	11.63	2.48	12.10	2.52	12.57	2.57
							21	10.18	2.37	10.62	2.42	11.08	2.46	11.30	2.48	11.54	2.51	12.00	2.55	12.47	2.60
							23	9.98	2.43	10.43	2.48	10.88	2.52	11.11	2.55	11.35	2.57	11.81	2.61	12.29	2.66
							25	9.79	2.49	10.24	2.54	10.69	2.59	10.92	2.61	11.16	2.63	11.62	2.68	12.10	2.72
							27	9.60	2.56	10.05	2.60	10.50	2.65	10.73	2.67	10.97	2.70	11.44	2.74	11.91	2.79
							29	9.41	2.62	9.86	2.67	10.32	2.71	10.55	2.74	10.78	2.76	11.25	2.81	11.72	2.85
							31	9.22	2.68	9.67	2.73	10.13	2.78	10.36	2.80	10.59	2.83	11.06	2.87	11.54	2.92
							33	9.03	2.75	9.48	2.80	9.94	2.85	10.17	2.87	10.40	2.89	10.87	2.94	11.35	2.99
							35	8.84	2.82	9.29	2.87	9.75	2.91	10.00	2.93	10.22	2.96	10.69	3.01	11.17	3.06
							37	8.65	2.89	9.10	2.93	9.56	2.98	9.79	3.00	10.03	3.03	10.50	3.08	10.98	3.12
39	8.46	2.95	8.92	3.00	9.38	3.05	9.61	3.07	9.84	3.10	10.32	3.15	10.80	3.19							
42	8.18	3.06	8.63	3.11	9.10	3.16	9.33	3.18	9.56	3.21	10.04	3.25	10.52	3.30							
44	7.99	3.13	8.45	3.18	8.91	3.23	9.14	3.25	9.38	3.28	9.86	3.33	10.34	3.37							
46	7.80	3.20	8.26	3.25	8.73	3.30	8.96	3.33	9.20	3.35	9.67	3.40	10.16	3.45							

# 12. Capacity Table

## 12-7. AJ100MCJ5EH/EU

### COOLING

Combination (Capacity Index)					Combination (Total)	Combination (%)	Outdoor Temperature (°C, DB)	Indoor Temperature (°C, WB)													
								14		16		18		19		20		22		24	
								TC(kW)	PI(kW)	TC(kW)	PI(kW)	TC(kW)	PI(kW)	TC(kW)	PI(kW)	TC(kW)	PI(kW)	TC(kW)	PI(kW)	TC(kW)	PI(kW)
2000	2000	3500	3500	3500	14500	145%	10	11.24	1.97	11.69	2.01	12.13	2.06	12.36	2.08	12.59	2.10	13.05	2.14	13.52	2.18
							12	11.05	2.02	11.49	2.07	11.94	2.11	12.17	2.13	12.40	2.15	12.86	2.19	13.33	2.24
							14	10.85	2.08	11.30	2.12	11.75	2.16	11.97	2.18	12.20	2.21	12.67	2.25	13.14	2.29
							16	10.66	2.13	11.10	2.18	11.55	2.22	11.78	2.24	12.01	2.26	12.48	2.30	12.95	2.35
							18	10.47	2.19	10.91	2.23	11.36	2.27	11.59	2.30	11.82	2.32	12.29	2.36	12.76	2.40
							20	10.27	2.25	10.72	2.29	11.17	2.33	11.40	2.35	11.63	2.38	12.10	2.42	12.57	2.46
							21	10.18	2.27	10.62	2.32	11.08	2.36	11.30	2.38	11.54	2.40	12.00	2.45	12.47	2.49
							23	9.98	2.33	10.43	2.38	10.88	2.42	11.11	2.44	11.35	2.46	11.81	2.51	12.29	2.55
							25	9.79	2.39	10.24	2.44	10.69	2.48	10.92	2.50	11.16	2.52	11.62	2.57	12.10	2.61
							27	9.60	2.45	10.05	2.50	10.50	2.54	10.73	2.56	10.97	2.58	11.44	2.63	11.91	2.67
							29	9.41	2.51	9.86	2.56	10.32	2.60	10.55	2.62	10.78	2.65	11.25	2.69	11.72	2.74
							31	9.22	2.57	9.67	2.62	10.13	2.66	10.36	2.69	10.59	2.71	11.06	2.75	11.54	2.80
							33	9.03	2.64	9.48	2.68	9.94	2.73	10.17	2.75	10.40	2.77	10.87	2.82	11.35	2.86
							35	8.84	2.70	9.29	2.75	9.75	2.79	10.00	2.81	10.22	2.84	10.69	2.88	11.17	2.93
							37	8.65	2.77	9.10	2.81	9.56	2.86	9.79	2.88	10.03	2.90	10.50	2.95	10.98	3.00
							39	8.46	2.83	8.92	2.88	9.38	2.93	9.61	2.95	9.84	2.97	10.32	3.02	10.80	3.06
42	8.18	2.93	8.63	2.98	9.10	3.03	9.33	3.05	9.56	3.07	10.04	3.12	10.52	3.17							
44	7.99	3.00	8.45	3.05	8.91	3.10	9.14	3.12	9.38	3.14	9.86	3.19	10.34	3.24							
46	7.80	3.07	8.26	3.12	8.73	3.17	8.96	3.19	9.20	3.21	9.67	3.26	10.16	3.31							
2000	2000	3500	3500	5000	16000	160%	10	11.24	2.01	11.69	2.06	12.13	2.10	12.36	2.12	12.59	2.14	13.05	2.19	13.52	2.23
							12	11.05	2.07	11.49	2.11	11.94	2.15	12.17	2.18	12.40	2.20	12.86	2.24	13.33	2.28
							14	10.85	2.12	11.30	2.17	11.75	2.21	11.97	2.23	12.20	2.25	12.67	2.30	13.14	2.34
							16	10.66	2.18	11.10	2.22	11.55	2.27	11.78	2.29	12.01	2.31	12.48	2.35	12.95	2.40
							18	10.47	2.24	10.91	2.28	11.36	2.32	11.59	2.35	11.82	2.37	12.29	2.41	12.76	2.46
							20	10.27	2.29	10.72	2.34	11.17	2.38	11.40	2.40	11.63	2.43	12.10	2.47	12.57	2.52
							21	10.18	2.32	10.62	2.37	11.08	2.41	11.30	2.43	11.54	2.46	12.00	2.50	12.47	2.55
							23	9.98	2.38	10.43	2.43	10.88	2.47	11.11	2.49	11.35	2.52	11.81	2.56	12.29	2.61
							25	9.79	2.44	10.24	2.49	10.69	2.53	10.92	2.56	11.16	2.58	11.62	2.62	12.10	2.67
							27	9.60	2.50	10.05	2.55	10.50	2.59	10.73	2.62	10.97	2.64	11.44	2.69	11.91	2.73
							29	9.41	2.57	9.86	2.61	10.32	2.66	10.55	2.68	10.78	2.70	11.25	2.75	11.72	2.79
							31	9.22	2.63	9.67	2.68	10.13	2.72	10.36	2.74	10.59	2.77	11.06	2.81	11.54	2.86
							33	9.03	2.69	9.48	2.74	9.94	2.79	10.17	2.81	10.40	2.83	10.87	2.88	11.35	2.93
							35	8.84	2.76	9.29	2.81	9.75	2.85	10.00	2.87	10.22	2.90	10.69	2.95	11.17	2.99
							37	8.65	2.83	9.10	2.87	9.56	2.92	9.79	2.94	10.03	2.97	10.50	3.01	10.98	3.06
							39	8.46	2.89	8.92	2.94	9.38	2.99	9.61	3.01	9.84	3.04	10.32	3.08	10.80	3.13
42	8.18	3.00	8.63	3.04	9.10	3.09	9.33	3.12	9.56	3.14	10.04	3.19	10.52	3.23							
44	7.99	3.07	8.45	3.11	8.91	3.16	9.14	3.19	9.38	3.21	9.86	3.26	10.34	3.31							
46	7.80	3.14	8.26	3.19	8.73	3.23	8.96	3.26	9.20	3.28	9.67	3.33	10.16	3.38							

# 12. Capacity Table

## 12-7. AJ100MCJ5EH/EU

### COOLING

Combination (Capacity Index)					Combination (Total)	Combination (%)	Outdoor Temperature (°C, DB)	Indoor Temperature (°C, WB)													
								14		16		18		19		20		22		24	
								TC(kW)	PI(kW)	TC(kW)	PI(kW)	TC(kW)	PI(kW)	TC(kW)	PI(kW)	TC(kW)	PI(kW)	TC(kW)	PI(kW)	TC(kW)	PI(kW)
2000	2500	2500	2500	2500	12000	120%	10	8.57	1.92	12.09	1.97	12.32	2.02	12.46	2.04	12.61	2.07	12.96	2.11	13.38	2.15
							12	8.57	1.97	11.76	2.02	12.01	2.07	12.15	2.09	12.32	2.11	12.69	2.16	13.12	2.20
							14	8.57	2.02	11.45	2.07	11.71	2.12	11.86	2.14	12.03	2.16	12.42	2.21	12.87	2.25
							16	8.57	2.07	11.15	2.12	11.42	2.17	11.59	2.19	11.77	2.21	12.17	2.26	12.63	2.30
							18	8.57	2.13	10.86	2.17	11.15	2.22	11.32	2.24	11.51	2.27	11.93	2.31	12.41	2.35
							20	8.57	2.18	10.58	2.23	10.89	2.28	11.07	2.30	11.27	2.32	11.71	2.36	12.20	2.40
							21	8.57	2.21	10.45	2.26	10.77	2.30	10.95	2.32	11.15	2.35	11.60	2.39	12.10	2.43
							23	8.57	2.27	10.19	2.31	10.53	2.36	10.72	2.38	10.93	2.40	11.39	2.45	11.92	2.49
							25	8.57	2.32	9.95	2.37	10.31	2.42	10.51	2.44	10.72	2.46	11.20	2.50	11.74	2.54
							27	8.57	2.38	9.73	2.43	10.10	2.47	10.31	2.50	10.53	2.52	11.02	2.56	11.58	2.60
							29	8.57	2.44	9.51	2.49	9.90	2.54	10.12	2.56	10.35	2.58	10.86	2.62	11.43	2.66
							31	8.57	2.51	9.31	2.55	9.71	2.60	9.94	2.62	10.18	2.64	10.71	2.68	11.30	2.72
							33	8.57	2.57	9.12	2.62	9.54	2.66	9.78	2.68	10.03	2.70	10.57	2.75	11.18	2.79
							35	8.57	2.63	8.95	2.68	9.39	2.72	9.70	2.74	9.89	2.77	10.45	2.81	11.07	2.85
							37	8.57	2.70	8.79	2.75	9.24	2.79	9.49	2.81	9.76	2.83	10.34	2.88	10.98	2.91
							39	8.57	2.77	8.64	2.81	9.11	2.86	9.37	2.88	9.65	2.90	10.24	2.94	10.90	2.98
42	8.57	2.87	8.45	2.92	8.94	2.96	9.21	2.98	9.50	3.01	10.12	3.05	10.80	3.09							
44	8.57	2.94	8.33	2.99	8.85	3.03	9.13	3.06	9.42	3.08	10.06	3.12	10.76	3.16							
46	8.57	3.02	8.23	3.06	8.76	3.11	9.05	3.13	9.36	3.15	10.01	3.19	10.73	3.23							
2000	2500	2500	2500	3500	13000	130%	10	11.24	1.96	11.69	2.01	12.13	2.05	12.36	2.07	12.59	2.09	13.05	2.13	13.52	2.17
							12	11.05	2.02	11.49	2.06	11.94	2.10	12.17	2.12	12.40	2.14	12.86	2.19	13.33	2.23
							14	10.85	2.07	11.30	2.11	11.75	2.16	11.97	2.18	12.20	2.20	12.67	2.24	13.14	2.28
							16	10.66	2.13	11.10	2.17	11.55	2.21	11.78	2.23	12.01	2.25	12.48	2.30	12.95	2.34
							18	10.47	2.18	10.91	2.22	11.36	2.27	11.59	2.29	11.82	2.31	12.29	2.35	12.76	2.40
							20	10.27	2.24	10.72	2.28	11.17	2.32	11.40	2.35	11.63	2.37	12.10	2.41	12.57	2.45
							21	10.18	2.27	10.62	2.31	11.08	2.35	11.30	2.37	11.54	2.40	12.00	2.44	12.47	2.48
							23	9.98	2.32	10.43	2.37	10.88	2.41	11.11	2.43	11.35	2.46	11.81	2.50	12.29	2.54
							25	9.79	2.38	10.24	2.43	10.69	2.47	10.92	2.49	11.16	2.51	11.62	2.56	12.10	2.60
							27	9.60	2.44	10.05	2.49	10.50	2.53	10.73	2.55	10.97	2.58	11.44	2.62	11.91	2.66
							29	9.41	2.50	9.86	2.55	10.32	2.59	10.55	2.62	10.78	2.64	11.25	2.68	11.72	2.73
							31	9.22	2.57	9.67	2.61	10.13	2.66	10.36	2.68	10.59	2.70	11.06	2.75	11.54	2.79
							33	9.03	2.63	9.48	2.67	9.94	2.72	10.17	2.74	10.40	2.76	10.87	2.81	11.35	2.85
							35	8.84	2.69	9.29	2.74	9.75	2.78	10.00	2.80	10.22	2.83	10.69	2.87	11.17	2.92
							37	8.65	2.76	9.10	2.80	9.56	2.85	9.79	2.87	10.03	2.89	10.50	2.94	10.98	2.99
							39	8.46	2.82	8.92	2.87	9.38	2.92	9.61	2.94	9.84	2.96	10.32	3.01	10.80	3.05
42	8.18	2.92	8.63	2.97	9.10	3.02	9.33	3.04	9.56	3.06	10.04	3.11	10.52	3.16							
44	7.99	2.99	8.45	3.04	8.91	3.09	9.14	3.11	9.38	3.13	9.86	3.18	10.34	3.23							
46	7.80	3.06	8.26	3.11	8.73	3.16	8.96	3.18	9.20	3.20	9.67	3.25	10.16	3.30							

# 12. Capacity Table

## 12-7. AJ100MCJ5EH/EU

### COOLING

Combination (Capacity Index)					Combination (Total)	Combination (%)	Outdoor Temperature (°C, DB)	Indoor Temperature (°C, WB)															
								14		16		18		19		20		22		24			
								TC(kW)	PI(kW)	TC(kW)	PI(kW)	TC(kW)	PI(kW)	TC(kW)	PI(kW)	TC(kW)	PI(kW)	TC(kW)	PI(kW)	TC(kW)	PI(kW)		
2000	2500	2500	2500	5000	14500	145%	10	11.24	1.97	11.69	2.01	12.13	2.06	12.36	2.08	12.59	2.10	13.05	2.14	13.52	2.18		
							12	11.05	2.02	11.49	2.07	11.94	2.11	12.17	2.13	12.40	2.15	12.86	2.19	13.33	2.24		
							14	10.85	2.08	11.30	2.12	11.75	2.16	11.97	2.18	12.20	2.21	12.67	2.25	13.14	2.29		
							16	10.66	2.13	11.10	2.18	11.55	2.22	11.78	2.24	12.01	2.26	12.48	2.30	12.95	2.35		
							18	10.47	2.19	10.91	2.23	11.36	2.27	11.59	2.30	11.82	2.32	12.29	2.36	12.76	2.40		
							20	10.27	2.25	10.72	2.29	11.17	2.33	11.40	2.35	11.63	2.38	12.10	2.42	12.57	2.46		
							21	10.18	2.27	10.62	2.32	11.08	2.36	11.30	2.38	11.54	2.40	12.00	2.45	12.47	2.49		
							23	9.98	2.33	10.43	2.38	10.88	2.42	11.11	2.44	11.35	2.46	11.81	2.51	12.29	2.55		
							25	9.79	2.39	10.24	2.44	10.69	2.48	10.92	2.50	11.16	2.52	11.62	2.57	12.10	2.61		
							27	9.60	2.45	10.05	2.50	10.50	2.54	10.73	2.56	10.97	2.58	11.44	2.63	11.91	2.67		
							29	9.41	2.51	9.86	2.56	10.32	2.60	10.55	2.62	10.78	2.65	11.25	2.69	11.72	2.74		
							31	9.22	2.57	9.67	2.62	10.13	2.66	10.36	2.69	10.59	2.71	11.06	2.75	11.54	2.80		
							33	9.03	2.64	9.48	2.68	9.94	2.73	10.17	2.75	10.40	2.77	10.87	2.82	11.35	2.86		
							35	8.84	2.70	9.29	2.75	9.75	2.79	10.00	2.81	10.22	2.84	10.69	2.88	11.17	2.93		
							37	8.65	2.77	9.10	2.81	9.56	2.86	9.79	2.88	10.03	2.90	10.50	2.95	10.98	3.00		
							39	8.46	2.83	8.92	2.88	9.38	2.93	9.61	2.95	9.84	2.97	10.32	3.02	10.80	3.06		
42	8.18	2.93	8.63	2.98	9.10	3.03	9.33	3.05	9.56	3.07	10.04	3.12	10.52	3.17									
44	7.99	3.00	8.45	3.05	8.91	3.10	9.14	3.12	9.38	3.14	9.86	3.19	10.34	3.24									
46	7.80	3.07	8.26	3.12	8.73	3.17	8.96	3.19	9.20	3.21	9.67	3.26	10.16	3.31									
2000	2500	2500	2500	6800	16300	163%	10	11.24	2.02	11.69	2.06	12.13	2.11	12.36	2.13	12.59	2.15	13.05	2.19	13.52	2.24		
							12	11.05	2.07	11.49	2.12	11.94	2.16	12.17	2.18	12.40	2.20	12.86	2.25	13.33	2.29		
							14	10.85	2.13	11.30	2.17	11.75	2.22	11.97	2.24	12.20	2.26	12.67	2.30	13.14	2.35		
							16	10.66	2.19	11.10	2.23	11.55	2.27	11.78	2.30	12.01	2.32	12.48	2.36	12.95	2.41		
							18	10.47	2.24	10.91	2.29	11.36	2.33	11.59	2.35	11.82	2.38	12.29	2.42	12.76	2.46		
							20	10.27	2.30	10.72	2.35	11.17	2.39	11.40	2.41	11.63	2.43	12.10	2.48	12.57	2.52		
							21	10.18	2.33	10.62	2.38	11.08	2.42	11.30	2.44	11.54	2.46	12.00	2.51	12.47	2.55		
							23	9.98	2.39	10.43	2.44	10.88	2.48	11.11	2.50	11.35	2.53	11.81	2.57	12.29	2.62		
							25	9.79	2.45	10.24	2.50	10.69	2.54	10.92	2.56	11.16	2.59	11.62	2.63	12.10	2.68		
							27	9.60	2.51	10.05	2.56	10.50	2.60	10.73	2.63	10.97	2.65	11.44	2.69	11.91	2.74		
							29	9.41	2.58	9.86	2.62	10.32	2.67	10.55	2.69	10.78	2.71	11.25	2.76	11.72	2.80		
							31	9.22	2.64	9.67	2.69	10.13	2.73	10.36	2.75	10.59	2.78	11.06	2.82	11.54	2.87		
							33	9.03	2.70	9.48	2.75	9.94	2.80	10.17	2.82	10.40	2.84	10.87	2.89	11.35	2.94		
							35	8.84	2.77	9.29	2.82	9.75	2.86	10.00	2.88	10.22	2.91	10.69	2.96	11.17	3.00		
							37	8.65	2.84	9.10	2.88	9.56	2.93	9.79	2.95	10.03	2.98	10.50	3.02	10.98	3.07		
							39	8.46	2.90	8.92	2.95	9.38	3.00	9.61	3.02	9.84	3.05	10.32	3.09	10.80	3.14		
42	8.18	3.01	8.63	3.06	9.10	3.10	9.33	3.13	9.56	3.15	10.04	3.20	10.52	3.25									
44	7.99	3.08	8.45	3.13	8.91	3.17	9.14	3.20	9.38	3.22	9.86	3.27	10.34	3.32									
46	7.80	3.15	8.26	3.20	8.73	3.25	8.96	3.27	9.20	3.29	9.67	3.34	10.16	3.39									

# 12. Capacity Table

## 12-7. AJ100MCJ5EH/EU

### COOLING

Combination (Capacity Index)					Combination (Total)	Combination (%)	Outdoor Temperature (°C, DB)	Indoor Temperature (°C, WB)													
								14		16		18		19		20		22		24	
								TC(kW)	PI(kW)	TC(kW)	PI(kW)	TC(kW)	PI(kW)	TC(kW)	PI(kW)	TC(kW)	PI(kW)	TC(kW)	PI(kW)	TC(kW)	PI(kW)
2000	2500	2500	3500	3500	14000	140%	10	11.24	2.00	11.69	2.04	12.13	2.08	12.36	2.11	12.59	2.13	13.05	2.17	13.52	2.21
							12	11.05	2.05	11.49	2.10	11.94	2.14	12.17	2.16	12.40	2.18	12.86	2.22	13.33	2.27
							14	10.85	2.11	11.30	2.15	11.75	2.19	11.97	2.22	12.20	2.24	12.67	2.28	13.14	2.32
							16	10.66	2.16	11.10	2.21	11.55	2.25	11.78	2.27	12.01	2.29	12.48	2.34	12.95	2.38
							18	10.47	2.22	10.91	2.26	11.36	2.31	11.59	2.33	11.82	2.35	12.29	2.39	12.76	2.44
							20	10.27	2.28	10.72	2.32	11.17	2.37	11.40	2.39	11.63	2.41	12.10	2.45	12.57	2.50
							21	10.18	2.31	10.62	2.35	11.08	2.39	11.30	2.42	11.54	2.44	12.00	2.48	12.47	2.53
							23	9.98	2.37	10.43	2.41	10.88	2.45	11.11	2.48	11.35	2.50	11.81	2.54	12.29	2.59
							25	9.79	2.43	10.24	2.47	10.69	2.52	10.92	2.54	11.16	2.56	11.62	2.60	12.10	2.65
							27	9.60	2.49	10.05	2.53	10.50	2.58	10.73	2.60	10.97	2.62	11.44	2.67	11.91	2.71
							29	9.41	2.55	9.86	2.59	10.32	2.64	10.55	2.66	10.78	2.68	11.25	2.73	11.72	2.78
							31	9.22	2.61	9.67	2.66	10.13	2.70	10.36	2.73	10.59	2.75	11.06	2.79	11.54	2.84
							33	9.03	2.68	9.48	2.72	9.94	2.77	10.17	2.79	10.40	2.81	10.87	2.86	11.35	2.91
							35	8.84	2.74	9.29	2.79	9.75	2.83	10.00	2.85	10.22	2.88	10.69	2.93	11.17	2.97
							37	8.65	2.81	9.10	2.85	9.56	2.90	9.79	2.92	10.03	2.95	10.50	2.99	10.98	3.04
							39	8.46	2.87	8.92	2.92	9.38	2.97	9.61	2.99	9.84	3.01	10.32	3.06	10.80	3.11
							42	8.18	2.98	8.63	3.02	9.10	3.07	9.33	3.09	9.56	3.12	10.04	3.16	10.52	3.21
44	7.99	3.05	8.45	3.09	8.91	3.14	9.14	3.16	9.38	3.19	9.86	3.24	10.34	3.28							
46	7.80	3.12	8.26	3.16	8.73	3.21	8.96	3.24	9.20	3.26	9.67	3.31	10.16	3.35							
2000	2500	2500	3500	5000	15500	155%	10	11.24	2.01	11.69	2.05	12.13	2.09	12.36	2.11	12.59	2.14	13.05	2.18	13.52	2.22
							12	11.05	2.06	11.49	2.10	11.94	2.15	12.17	2.17	12.40	2.19	12.86	2.23	13.33	2.28
							14	10.85	2.12	11.30	2.16	11.75	2.20	11.97	2.22	12.20	2.25	12.67	2.29	13.14	2.33
							16	10.66	2.17	11.10	2.21	11.55	2.26	11.78	2.28	12.01	2.30	12.48	2.35	12.95	2.39
							18	10.47	2.23	10.91	2.27	11.36	2.32	11.59	2.34	11.82	2.36	12.29	2.40	12.76	2.45
							20	10.27	2.29	10.72	2.33	11.17	2.37	11.40	2.40	11.63	2.42	12.10	2.46	12.57	2.51
							21	10.18	2.31	10.62	2.36	11.08	2.40	11.30	2.43	11.54	2.45	12.00	2.49	12.47	2.54
							23	9.98	2.37	10.43	2.42	10.88	2.46	11.11	2.49	11.35	2.51	11.81	2.55	12.29	2.60
							25	9.79	2.43	10.24	2.48	10.69	2.52	10.92	2.55	11.16	2.57	11.62	2.61	12.10	2.66
							27	9.60	2.50	10.05	2.54	10.50	2.59	10.73	2.61	10.97	2.63	11.44	2.68	11.91	2.72
							29	9.41	2.56	9.86	2.60	10.32	2.65	10.55	2.67	10.78	2.69	11.25	2.74	11.72	2.79
							31	9.22	2.62	9.67	2.67	10.13	2.71	10.36	2.74	10.59	2.76	11.06	2.80	11.54	2.85
							33	9.03	2.69	9.48	2.73	9.94	2.78	10.17	2.80	10.40	2.82	10.87	2.87	11.35	2.92
							35	8.84	2.75	9.29	2.80	9.75	2.84	10.00	2.86	10.22	2.89	10.69	2.94	11.17	2.98
							37	8.65	2.82	9.10	2.86	9.56	2.91	9.79	2.93	10.03	2.96	10.50	3.00	10.98	3.05
							39	8.46	2.88	8.92	2.93	9.38	2.98	9.61	3.00	9.84	3.02	10.32	3.07	10.80	3.12
							42	8.18	2.99	8.63	3.03	9.10	3.08	9.33	3.10	9.56	3.13	10.04	3.18	10.52	3.22
44	7.99	3.06	8.45	3.10	8.91	3.15	9.14	3.18	9.38	3.20	9.86	3.25	10.34	3.29							
46	7.80	3.13	8.26	3.17	8.73	3.22	8.96	3.25	9.20	3.27	9.67	3.32	10.16	3.37							

# 12. Capacity Table

## 12-7. AJ100MCJ5EH/EU

### COOLING

Combination (Capacity Index)					Combination (Total)	Combination (%)	Outdoor Temperature (°C, DB)	Indoor Temperature (°C, WB)													
								14		16		18		19		20		22		24	
								TC(kW)	PI(kW)	TC(kW)	PI(kW)	TC(kW)	PI(kW)	TC(kW)	PI(kW)	TC(kW)	PI(kW)	TC(kW)	PI(kW)	TC(kW)	PI(kW)
2000	2500	2500	3500	6800	17300	173%	10	11.24	2.06	11.69	2.10	12.13	2.14	12.36	2.17	12.59	2.19	13.05	2.23	13.52	2.27
							12	11.05	2.11	11.49	2.15	11.94	2.20	12.17	2.22	12.40	2.24	12.86	2.29	13.33	2.33
							14	10.85	2.17	11.30	2.21	11.75	2.26	11.97	2.28	12.20	2.30	12.67	2.34	13.14	2.39
							16	10.66	2.22	11.10	2.27	11.55	2.31	11.78	2.34	12.01	2.36	12.48	2.40	12.95	2.45
							18	10.47	2.28	10.91	2.33	11.36	2.37	11.59	2.39	11.82	2.42	12.29	2.46	12.76	2.51
							20	10.27	2.34	10.72	2.39	11.17	2.43	11.40	2.45	11.63	2.48	12.10	2.52	12.57	2.57
							21	10.18	2.37	10.62	2.42	11.08	2.46	11.30	2.48	11.54	2.51	12.00	2.55	12.47	2.60
							23	9.98	2.43	10.43	2.48	10.88	2.52	11.11	2.55	11.35	2.57	11.81	2.61	12.29	2.66
							25	9.79	2.49	10.24	2.54	10.69	2.59	10.92	2.61	11.16	2.63	11.62	2.68	12.10	2.72
							27	9.60	2.56	10.05	2.60	10.50	2.65	10.73	2.67	10.97	2.70	11.44	2.74	11.91	2.79
							29	9.41	2.62	9.86	2.67	10.32	2.71	10.55	2.74	10.78	2.76	11.25	2.81	11.72	2.85
							31	9.22	2.68	9.67	2.73	10.13	2.78	10.36	2.80	10.59	2.83	11.06	2.87	11.54	2.92
							33	9.03	2.75	9.48	2.80	9.94	2.85	10.17	2.87	10.40	2.89	10.87	2.94	11.35	2.99
							35	8.84	2.82	9.29	2.87	9.75	2.91	10.00	2.93	10.22	2.96	10.69	3.01	11.17	3.06
							37	8.65	2.89	9.10	2.93	9.56	2.98	9.79	3.00	10.03	3.03	10.50	3.08	10.98	3.12
							39	8.46	2.95	8.92	3.00	9.38	3.05	9.61	3.07	9.84	3.10	10.32	3.15	10.80	3.19
42	8.18	3.06	8.63	3.11	9.10	3.16	9.33	3.18	9.56	3.21	10.04	3.25	10.52	3.30							
44	7.99	3.13	8.45	3.18	8.91	3.23	9.14	3.25	9.38	3.28	9.86	3.33	10.34	3.37							
46	7.80	3.20	8.26	3.25	8.73	3.30	8.96	3.33	9.20	3.35	9.67	3.40	10.16	3.45							
2000	2500	2500	5000	5000	17000	170%	10	11.24	2.06	11.69	2.10	12.13	2.14	12.36	2.17	12.59	2.19	13.05	2.23	13.52	2.27
							12	11.05	2.11	11.49	2.15	11.94	2.20	12.17	2.22	12.40	2.24	12.86	2.29	13.33	2.33
							14	10.85	2.17	11.30	2.21	11.75	2.26	11.97	2.28	12.20	2.30	12.67	2.34	13.14	2.39
							16	10.66	2.22	11.10	2.27	11.55	2.31	11.78	2.34	12.01	2.36	12.48	2.40	12.95	2.45
							18	10.47	2.28	10.91	2.33	11.36	2.37	11.59	2.39	11.82	2.42	12.29	2.46	12.76	2.51
							20	10.27	2.34	10.72	2.39	11.17	2.43	11.40	2.45	11.63	2.48	12.10	2.52	12.57	2.57
							21	10.18	2.37	10.62	2.42	11.08	2.46	11.30	2.48	11.54	2.51	12.00	2.55	12.47	2.60
							23	9.98	2.43	10.43	2.48	10.88	2.52	11.11	2.55	11.35	2.57	11.81	2.61	12.29	2.66
							25	9.79	2.49	10.24	2.54	10.69	2.59	10.92	2.61	11.16	2.63	11.62	2.68	12.10	2.72
							27	9.60	2.56	10.05	2.60	10.50	2.65	10.73	2.67	10.97	2.70	11.44	2.74	11.91	2.79
							29	9.41	2.62	9.86	2.67	10.32	2.71	10.55	2.74	10.78	2.76	11.25	2.81	11.72	2.85
							31	9.22	2.68	9.67	2.73	10.13	2.78	10.36	2.80	10.59	2.83	11.06	2.87	11.54	2.92
							33	9.03	2.75	9.48	2.80	9.94	2.85	10.17	2.87	10.40	2.89	10.87	2.94	11.35	2.99
							35	8.84	2.82	9.29	2.87	9.75	2.91	10.00	2.93	10.22	2.96	10.69	3.01	11.17	3.06
							37	8.65	2.89	9.10	2.93	9.56	2.98	9.79	3.00	10.03	3.03	10.50	3.08	10.98	3.12
							39	8.46	2.95	8.92	3.00	9.38	3.05	9.61	3.07	9.84	3.10	10.32	3.15	10.80	3.19
42	8.18	3.06	8.63	3.11	9.10	3.16	9.33	3.18	9.56	3.21	10.04	3.25	10.52	3.30							
44	7.99	3.13	8.45	3.18	8.91	3.23	9.14	3.25	9.38	3.28	9.86	3.33	10.34	3.37							
46	7.80	3.20	8.26	3.25	8.73	3.30	8.96	3.33	9.20	3.35	9.67	3.40	10.16	3.45							

# 12. Capacity Table

## 12-7. AJ100MCJ5EH/EU

### COOLING

Combination (Capacity Index)					Combination (Total)	Combination (%)	Outdoor Temperature (°C, DB)	Indoor Temperature (°C, WB)													
								14		16		18		19		20		22		24	
										TC(kW)	PI(kW)	TC(kW)	PI(kW)	TC(kW)	PI(kW)	TC(kW)	PI(kW)	TC(kW)	PI(kW)	TC(kW)	PI(kW)
2000	2500	3500	3500	3500	15000	150%	10	11.24	1.97	11.69	2.01	12.13	2.06	12.36	2.08	12.59	2.10	13.05	2.14	13.52	2.18
							12	11.05	2.02	11.49	2.07	11.94	2.11	12.17	2.13	12.40	2.15	12.86	2.19	13.33	2.24
							14	10.85	2.08	11.30	2.12	11.75	2.16	11.97	2.18	12.20	2.21	12.67	2.25	13.14	2.29
							16	10.66	2.13	11.10	2.18	11.55	2.22	11.78	2.24	12.01	2.26	12.48	2.30	12.95	2.35
							18	10.47	2.19	10.91	2.23	11.36	2.27	11.59	2.30	11.82	2.32	12.29	2.36	12.76	2.40
							20	10.27	2.25	10.72	2.29	11.17	2.33	11.40	2.35	11.63	2.38	12.10	2.42	12.57	2.46
							21	10.18	2.27	10.62	2.32	11.08	2.36	11.30	2.38	11.54	2.40	12.00	2.45	12.47	2.49
							23	9.98	2.33	10.43	2.38	10.88	2.42	11.11	2.44	11.35	2.46	11.81	2.51	12.29	2.55
							25	9.79	2.39	10.24	2.44	10.69	2.48	10.92	2.50	11.16	2.52	11.62	2.57	12.10	2.61
							27	9.60	2.45	10.05	2.50	10.50	2.54	10.73	2.56	10.97	2.58	11.44	2.63	11.91	2.67
							29	9.41	2.51	9.86	2.56	10.32	2.60	10.55	2.62	10.78	2.65	11.25	2.69	11.72	2.74
							31	9.22	2.57	9.67	2.62	10.13	2.66	10.36	2.69	10.59	2.71	11.06	2.75	11.54	2.80
							33	9.03	2.64	9.48	2.68	9.94	2.73	10.17	2.75	10.40	2.77	10.87	2.82	11.35	2.86
							35	8.84	2.70	9.29	2.75	9.75	2.79	10.00	2.81	10.22	2.84	10.69	2.88	11.17	2.93
							37	8.65	2.77	9.10	2.81	9.56	2.86	9.79	2.88	10.03	2.90	10.50	2.95	10.98	3.00
							39	8.46	2.83	8.92	2.88	9.38	2.93	9.61	2.95	9.84	2.97	10.32	3.02	10.80	3.06
42	8.18	2.93	8.63	2.98	9.10	3.03	9.33	3.05	9.56	3.07	10.04	3.12	10.52	3.17							
44	7.99	3.00	8.45	3.05	8.91	3.10	9.14	3.12	9.38	3.14	9.86	3.19	10.34	3.24							
46	7.80	3.07	8.26	3.12	8.73	3.17	8.96	3.19	9.20	3.21	9.67	3.26	10.16	3.31							
2000	2500	3500	3500	5000	16500	165%	10	11.24	2.05	11.69	2.09	12.13	2.14	12.36	2.16	12.59	2.18	13.05	2.22	13.52	2.27
							12	11.05	2.10	11.49	2.15	11.94	2.19	12.17	2.21	12.40	2.24	12.86	2.28	13.33	2.32
							14	10.85	2.16	11.30	2.20	11.75	2.25	11.97	2.27	12.20	2.29	12.67	2.34	13.14	2.38
							16	10.66	2.22	11.10	2.26	11.55	2.31	11.78	2.33	12.01	2.35	12.48	2.39	12.95	2.44
							18	10.47	2.27	10.91	2.32	11.36	2.36	11.59	2.39	11.82	2.41	12.29	2.45	12.76	2.50
							20	10.27	2.33	10.72	2.38	11.17	2.42	11.40	2.45	11.63	2.47	12.10	2.51	12.57	2.56
							21	10.18	2.36	10.62	2.41	11.08	2.45	11.30	2.48	11.54	2.50	12.00	2.54	12.47	2.59
							23	9.98	2.42	10.43	2.47	10.88	2.51	11.11	2.54	11.35	2.56	11.81	2.61	12.29	2.65
							25	9.79	2.49	10.24	2.53	10.69	2.58	10.92	2.60	11.16	2.62	11.62	2.67	12.10	2.71
							27	9.60	2.55	10.05	2.59	10.50	2.64	10.73	2.66	10.97	2.69	11.44	2.73	11.91	2.78
							29	9.41	2.61	9.86	2.66	10.32	2.70	10.55	2.73	10.78	2.75	11.25	2.80	11.72	2.84
							31	9.22	2.68	9.67	2.72	10.13	2.77	10.36	2.79	10.59	2.82	11.06	2.86	11.54	2.91
							33	9.03	2.74	9.48	2.79	9.94	2.84	10.17	2.86	10.40	2.88	10.87	2.93	11.35	2.98
							35	8.84	2.81	9.29	2.86	9.75	2.90	10.00	2.92	10.22	2.95	10.69	3.00	11.17	3.04
							37	8.65	2.88	9.10	2.92	9.56	2.97	9.79	2.99	10.03	3.02	10.50	3.07	10.98	3.11
							39	8.46	2.94	8.92	2.99	9.38	3.04	9.61	3.06	9.84	3.09	10.32	3.14	10.80	3.18
42	8.18	3.05	8.63	3.10	9.10	3.15	9.33	3.17	9.56	3.19	10.04	3.24	10.52	3.29							
44	7.99	3.12	8.45	3.17	8.91	3.22	9.14	3.24	9.38	3.27	9.86	3.31	10.34	3.36							
46	7.80	3.19	8.26	3.24	8.73	3.29	8.96	3.31	9.20	3.34	9.67	3.39	10.16	3.44							

# 12. Capacity Table

## 12-7. AJ100MCJ5EH/EU

### COOLING

Combination (Capacity Index)					Combination (Total)	Combination (%)	Outdoor Temperature (°C, DB)	Indoor Temperature (°C, WB)													
								14		16		18		19		20		22		24	
								TC(kW)	PI(kW)	TC(kW)	PI(kW)	TC(kW)	PI(kW)	TC(kW)	PI(kW)	TC(kW)	PI(kW)	TC(kW)	PI(kW)	TC(kW)	PI(kW)
2000	3500	3500	3500	3500	16000	160%	10	11.24	2.01	11.69	2.05	12.13	2.09	12.36	2.11	12.59	2.14	13.05	2.18	13.52	2.22
							12	11.05	2.06	11.49	2.10	11.94	2.15	12.17	2.17	12.40	2.19	12.86	2.23	13.33	2.28
							14	10.85	2.12	11.30	2.16	11.75	2.20	11.97	2.22	12.20	2.25	12.67	2.29	13.14	2.33
							16	10.66	2.17	11.10	2.21	11.55	2.26	11.78	2.28	12.01	2.30	12.48	2.35	12.95	2.39
							18	10.47	2.23	10.91	2.27	11.36	2.32	11.59	2.34	11.82	2.36	12.29	2.40	12.76	2.45
							20	10.27	2.29	10.72	2.33	11.17	2.37	11.40	2.40	11.63	2.42	12.10	2.46	12.57	2.51
							21	10.18	2.31	10.62	2.36	11.08	2.40	11.30	2.43	11.54	2.45	12.00	2.49	12.47	2.54
							23	9.98	2.37	10.43	2.42	10.88	2.46	11.11	2.49	11.35	2.51	11.81	2.55	12.29	2.60
							25	9.79	2.43	10.24	2.48	10.69	2.52	10.92	2.55	11.16	2.57	11.62	2.61	12.10	2.66
							27	9.60	2.50	10.05	2.54	10.50	2.59	10.73	2.61	10.97	2.63	11.44	2.68	11.91	2.72
							29	9.41	2.56	9.86	2.60	10.32	2.65	10.55	2.67	10.78	2.69	11.25	2.74	11.72	2.79
							31	9.22	2.62	9.67	2.67	10.13	2.71	10.36	2.74	10.59	2.76	11.06	2.80	11.54	2.85
							33	9.03	2.69	9.48	2.73	9.94	2.78	10.17	2.80	10.40	2.82	10.87	2.87	11.35	2.92
							35	8.84	2.75	9.29	2.80	9.75	2.84	10.00	2.86	10.22	2.89	10.69	2.94	11.17	2.98
							37	8.65	2.82	9.10	2.86	9.56	2.91	9.79	2.93	10.03	2.96	10.50	3.00	10.98	3.05
							39	8.46	2.88	8.92	2.93	9.38	2.98	9.61	3.00	9.84	3.02	10.32	3.07	10.80	3.12
							42	8.18	2.99	8.63	3.03	9.10	3.08	9.33	3.10	9.56	3.13	10.04	3.18	10.52	3.22
44	7.99	3.06	8.45	3.10	8.91	3.15	9.14	3.18	9.38	3.20	9.86	3.25	10.34	3.29							
46	7.80	3.13	8.26	3.17	8.73	3.22	8.96	3.25	9.20	3.27	9.67	3.32	10.16	3.37							
2500	2500	2500	2500	2500	12500	125%	10	8.84	2.04	12.47	2.09	12.70	2.14	12.84	2.16	13.00	2.19	13.37	2.23	13.79	2.28
							12	8.84	2.09	12.13	2.14	12.38	2.19	12.53	2.21	12.70	2.24	13.08	2.28	13.52	2.33
							14	8.84	2.14	11.80	2.19	12.07	2.24	12.23	2.27	12.41	2.29	12.80	2.34	13.27	2.38
							16	8.84	2.20	11.49	2.25	11.78	2.30	11.95	2.32	12.13	2.34	12.54	2.39	13.02	2.43
							18	8.84	2.25	11.19	2.30	11.50	2.35	11.67	2.37	11.87	2.40	12.30	2.44	12.80	2.49
							20	8.84	2.31	10.91	2.36	11.23	2.41	11.42	2.43	11.62	2.46	12.07	2.50	12.58	2.54
							21	8.84	2.34	10.77	2.39	11.10	2.44	11.29	2.46	11.50	2.48	11.96	2.53	12.48	2.57
							23	8.84	2.40	10.51	2.45	10.86	2.50	11.06	2.52	11.27	2.54	11.75	2.59	12.29	2.63
							25	8.84	2.46	10.26	2.51	10.63	2.56	10.83	2.58	11.06	2.60	11.55	2.65	12.11	2.69
							27	8.84	2.52	10.03	2.57	10.41	2.62	10.62	2.64	10.86	2.67	11.37	2.71	11.94	2.75
							29	8.84	2.59	9.81	2.64	10.20	2.68	10.43	2.71	10.67	2.73	11.20	2.77	11.79	2.82
							31	8.84	2.65	9.60	2.70	10.02	2.75	10.25	2.77	10.50	2.79	11.04	2.84	11.65	2.88
							33	8.84	2.72	9.40	2.77	9.84	2.82	10.08	2.84	10.34	2.86	10.90	2.91	11.53	2.95
							35	8.84	2.79	9.23	2.84	9.68	2.88	10.00	2.90	10.19	2.93	10.77	2.97	11.41	3.02
							37	8.84	2.86	9.06	2.91	9.53	2.95	9.79	2.98	10.06	3.00	10.66	3.04	11.32	3.09
							39	8.84	2.93	8.91	2.98	9.39	3.03	9.66	3.05	9.94	3.07	10.56	3.11	11.24	3.16
							42	8.84	3.04	8.71	3.09	9.22	3.14	9.50	3.16	9.80	3.18	10.43	3.22	11.14	3.27
44	8.84	3.12	8.59	3.16	9.12	3.21	9.41	3.23	9.71	3.26	10.37	3.30	11.09	3.34							
46	8.84	3.19	8.49	3.24	9.03	3.29	9.33	3.31	9.64	3.33	10.32	3.38	11.06	3.42							



# 12. Capacity Table

## 12-7. AJ100MCJ5EH/EU

### COOLING

Combination (Capacity Index)					Combination (Total)	Combination (%)	Outdoor Temperature (°C, DB)	Indoor Temperature (°C, WB)													
								14		16		18		19		20		22		24	
								TC(kW)	PI(kW)	TC(kW)	PI(kW)	TC(kW)	PI(kW)	TC(kW)	PI(kW)	TC(kW)	PI(kW)	TC(kW)	PI(kW)	TC(kW)	PI(kW)
2500	2500	2500	2500	3500	13500	135%	10	11.24	1.99	11.69	2.04	12.13	2.08	12.36	2.10	12.59	2.12	13.05	2.16	13.52	2.21
							12	11.05	2.05	11.49	2.09	11.94	2.13	12.17	2.15	12.40	2.17	12.86	2.22	13.33	2.26
							14	10.85	2.10	11.30	2.14	11.75	2.19	11.97	2.21	12.20	2.23	12.67	2.27	13.14	2.32
							16	10.66	2.16	11.10	2.20	11.55	2.24	11.78	2.26	12.01	2.29	12.48	2.33	12.95	2.37
							18	10.47	2.21	10.91	2.26	11.36	2.30	11.59	2.32	11.82	2.34	12.29	2.39	12.76	2.43
							20	10.27	2.27	10.72	2.31	11.17	2.36	11.40	2.38	11.63	2.40	12.10	2.45	12.57	2.49
							21	10.18	2.30	10.62	2.34	11.08	2.39	11.30	2.41	11.54	2.43	12.00	2.47	12.47	2.52
							23	9.98	2.36	10.43	2.40	10.88	2.45	11.11	2.47	11.35	2.49	11.81	2.53	12.29	2.58
							25	9.79	2.42	10.24	2.46	10.69	2.51	10.92	2.53	11.16	2.55	11.62	2.60	12.10	2.64
							27	9.60	2.48	10.05	2.52	10.50	2.57	10.73	2.59	10.97	2.61	11.44	2.66	11.91	2.70
							29	9.41	2.54	9.86	2.58	10.32	2.63	10.55	2.65	10.78	2.68	11.25	2.72	11.72	2.77
							31	9.22	2.60	9.67	2.65	10.13	2.69	10.36	2.72	10.59	2.74	11.06	2.78	11.54	2.83
							33	9.03	2.67	9.48	2.71	9.94	2.76	10.17	2.78	10.40	2.80	10.87	2.85	11.35	2.89
							35	8.84	2.73	9.29	2.78	9.75	2.82	10.00	2.84	10.22	2.87	10.69	2.92	11.17	2.96
							37	8.65	2.80	9.10	2.84	9.56	2.89	9.79	2.91	10.03	2.94	10.50	2.98	10.98	3.03
							39	8.46	2.86	8.92	2.91	9.38	2.96	9.61	2.98	9.84	3.00	10.32	3.05	10.80	3.10
							42	8.18	2.97	8.63	3.01	9.10	3.06	9.33	3.08	9.56	3.11	10.04	3.15	10.52	3.20
44	7.99	3.03	8.45	3.08	8.91	3.13	9.14	3.15	9.38	3.18	9.86	3.22	10.34	3.27							
46	7.80	3.11	8.26	3.15	8.73	3.20	8.96	3.22	9.20	3.25	9.67	3.30	10.16	3.34							
2500	2500	2500	2500	5000	15000	150%	10	11.24	1.97	11.69	2.01	12.13	2.06	12.36	2.08	12.59	2.10	13.05	2.14	13.52	2.18
							12	11.05	2.02	11.49	2.07	11.94	2.11	12.17	2.13	12.40	2.15	12.86	2.19	13.33	2.24
							14	10.85	2.08	11.30	2.12	11.75	2.16	11.97	2.18	12.20	2.21	12.67	2.25	13.14	2.29
							16	10.66	2.13	11.10	2.18	11.55	2.22	11.78	2.24	12.01	2.26	12.48	2.30	12.95	2.35
							18	10.47	2.19	10.91	2.23	11.36	2.27	11.59	2.30	11.82	2.32	12.29	2.36	12.76	2.40
							20	10.27	2.25	10.72	2.29	11.17	2.33	11.40	2.35	11.63	2.38	12.10	2.42	12.57	2.46
							21	10.18	2.27	10.62	2.32	11.08	2.36	11.30	2.38	11.54	2.40	12.00	2.45	12.47	2.49
							23	9.98	2.33	10.43	2.38	10.88	2.42	11.11	2.44	11.35	2.46	11.81	2.51	12.29	2.55
							25	9.79	2.39	10.24	2.44	10.69	2.48	10.92	2.50	11.16	2.52	11.62	2.57	12.10	2.61
							27	9.60	2.45	10.05	2.50	10.50	2.54	10.73	2.56	10.97	2.58	11.44	2.63	11.91	2.67
							29	9.41	2.51	9.86	2.56	10.32	2.60	10.55	2.62	10.78	2.65	11.25	2.69	11.72	2.74
							31	9.22	2.57	9.67	2.62	10.13	2.66	10.36	2.69	10.59	2.71	11.06	2.75	11.54	2.80
							33	9.03	2.64	9.48	2.68	9.94	2.73	10.17	2.75	10.40	2.77	10.87	2.82	11.35	2.86
							35	8.84	2.70	9.29	2.75	9.75	2.79	10.00	2.81	10.22	2.84	10.69	2.88	11.17	2.93
							37	8.65	2.77	9.10	2.81	9.56	2.86	9.79	2.88	10.03	2.90	10.50	2.95	10.98	3.00
							39	8.46	2.83	8.92	2.88	9.38	2.93	9.61	2.95	9.84	2.97	10.32	3.02	10.80	3.06
							42	8.18	2.93	8.63	2.98	9.10	3.03	9.33	3.05	9.56	3.07	10.04	3.12	10.52	3.17
44	7.99	3.00	8.45	3.05	8.91	3.10	9.14	3.12	9.38	3.14	9.86	3.19	10.34	3.24							
46	7.80	3.07	8.26	3.12	8.73	3.17	8.96	3.19	9.20	3.21	9.67	3.26	10.16	3.31							

# 12. Capacity Table

## 12-7. AJ100MCJ5EH/EU

### COOLING

Combination (Capacity Index)					Combination (Total)	Combination (%)	Outdoor Temperature (°C, DB)	Indoor Temperature (°C, WB)													
								14		16		18		19		20		22		24	
								TC(kW)	PI(kW)	TC(kW)	PI(kW)	TC(kW)	PI(kW)	TC(kW)	PI(kW)	TC(kW)	PI(kW)	TC(kW)	PI(kW)	TC(kW)	PI(kW)
2500	2500	2500	2500	6800	16800	168%	10	11.24	2.06	11.69	2.10	12.13	2.14	12.36	2.17	12.59	2.19	13.05	2.23	13.52	2.27
							12	11.05	2.11	11.49	2.15	11.94	2.20	12.17	2.22	12.40	2.24	12.86	2.29	13.33	2.33
							14	10.85	2.17	11.30	2.21	11.75	2.26	11.97	2.28	12.20	2.30	12.67	2.34	13.14	2.39
							16	10.66	2.22	11.10	2.27	11.55	2.31	11.78	2.34	12.01	2.36	12.48	2.40	12.95	2.45
							18	10.47	2.28	10.91	2.33	11.36	2.37	11.59	2.39	11.82	2.42	12.29	2.46	12.76	2.51
							20	10.27	2.34	10.72	2.39	11.17	2.43	11.40	2.45	11.63	2.48	12.10	2.52	12.57	2.57
							21	10.18	2.37	10.62	2.42	11.08	2.46	11.30	2.48	11.54	2.51	12.00	2.55	12.47	2.60
							23	998	2.43	10.43	2.48	10.88	2.52	11.11	2.55	11.35	2.57	11.81	2.61	12.29	2.66
							25	979	2.49	10.24	2.54	10.69	2.59	10.92	2.61	11.16	2.63	11.62	2.68	12.10	2.72
							27	960	2.56	10.05	2.60	10.50	2.65	10.73	2.67	10.97	2.70	11.44	2.74	11.91	2.79
							29	941	2.62	9.86	2.67	10.32	2.71	10.55	2.74	10.78	2.76	11.25	2.81	11.72	2.85
							31	922	2.68	9.67	2.73	10.13	2.78	10.36	2.80	10.59	2.83	11.06	2.87	11.54	2.92
							33	903	2.75	9.48	2.80	9.94	2.85	10.17	2.87	10.40	2.89	10.87	2.94	11.35	2.99
							35	884	2.82	9.29	2.87	9.75	2.91	10.00	2.93	10.22	2.96	10.69	3.01	11.17	3.06
							37	865	2.89	9.10	2.93	9.56	2.98	9.79	3.00	10.03	3.03	10.50	3.08	10.98	3.12
							39	846	2.95	8.92	3.00	9.38	3.05	9.61	3.07	9.84	3.10	10.32	3.15	10.80	3.19
42	818	3.06	8.63	3.11	9.10	3.16	9.33	3.18	9.56	3.21	10.04	3.25	10.52	3.30							
44	799	3.13	8.45	3.18	8.91	3.23	9.14	3.25	9.38	3.28	9.86	3.33	10.34	3.37							
46	780	3.20	8.26	3.25	8.73	3.30	8.96	3.33	9.20	3.35	9.67	3.40	10.16	3.45							
2500	2500	2500	3500	3500	14500	145%	10	11.24	1.96	11.69	2.01	12.13	2.05	12.36	2.07	12.59	2.09	13.05	2.13	13.52	2.17
							12	11.05	2.02	11.49	2.06	11.94	2.10	12.17	2.12	12.40	2.14	12.86	2.19	13.33	2.23
							14	10.85	2.07	11.30	2.11	11.75	2.16	11.97	2.18	12.20	2.20	12.67	2.24	13.14	2.28
							16	10.66	2.13	11.10	2.17	11.55	2.21	11.78	2.23	12.01	2.25	12.48	2.30	12.95	2.34
							18	10.47	2.18	10.91	2.22	11.36	2.27	11.59	2.29	11.82	2.31	12.29	2.35	12.76	2.40
							20	10.27	2.24	10.72	2.28	11.17	2.32	11.40	2.35	11.63	2.37	12.10	2.41	12.57	2.45
							21	10.18	2.27	10.62	2.31	11.08	2.35	11.30	2.37	11.54	2.40	12.00	2.44	12.47	2.48
							23	998	2.32	10.43	2.37	10.88	2.41	11.11	2.43	11.35	2.46	11.81	2.50	12.29	2.54
							25	979	2.38	10.24	2.43	10.69	2.47	10.92	2.49	11.16	2.51	11.62	2.56	12.10	2.60
							27	960	2.44	10.05	2.49	10.50	2.53	10.73	2.55	10.97	2.58	11.44	2.62	11.91	2.66
							29	941	2.50	9.86	2.55	10.32	2.59	10.55	2.62	10.78	2.64	11.25	2.68	11.72	2.73
							31	922	2.57	9.67	2.61	10.13	2.66	10.36	2.68	10.59	2.70	11.06	2.75	11.54	2.79
							33	903	2.63	9.48	2.67	9.94	2.72	10.17	2.74	10.40	2.76	10.87	2.81	11.35	2.85
							35	884	2.69	9.29	2.74	9.75	2.78	10.00	2.80	10.22	2.83	10.69	2.87	11.17	2.92
							37	865	2.76	9.10	2.80	9.56	2.85	9.79	2.87	10.03	2.89	10.50	2.94	10.98	2.99
							39	846	2.82	8.92	2.87	9.38	2.92	9.61	2.94	9.84	2.96	10.32	3.01	10.80	3.05
42	818	2.92	8.63	2.97	9.10	3.02	9.33	3.04	9.56	3.06	10.04	3.11	10.52	3.16							
44	799	2.99	8.45	3.04	8.91	3.09	9.14	3.11	9.38	3.13	9.86	3.18	10.34	3.23							
46	780	3.06	8.26	3.11	8.73	3.16	8.96	3.18	9.20	3.20	9.67	3.25	10.16	3.30							

# 12. Capacity Table

## 12-7. AJ100MCJ5EH/EU

### COOLING

Combination (Capacity Index)					Combination (Total)	Combination (%)	Outdoor Temperature (°C, DB)	Indoor Temperature (°C, WB)													
								14		16		18		19		20		22		24	
								TC(kW)	PI(kW)	TC(kW)	PI(kW)	TC(kW)	PI(kW)	TC(kW)	PI(kW)	TC(kW)	PI(kW)	TC(kW)	PI(kW)	TC(kW)	PI(kW)
2500	2500	2500	3500	5000	16000	160%	10	11.24	2.01	11.69	2.05	12.13	2.09	12.36	2.11	12.59	2.14	13.05	2.18	13.52	2.22
							12	11.05	2.06	11.49	2.10	11.94	2.15	12.17	2.17	12.40	2.19	12.86	2.23	13.33	2.28
							14	10.85	2.12	11.30	2.16	11.75	2.20	11.97	2.22	12.20	2.25	12.67	2.29	13.14	2.33
							16	10.66	2.17	11.10	2.21	11.55	2.26	11.78	2.28	12.01	2.30	12.48	2.35	12.95	2.39
							18	10.47	2.23	10.91	2.27	11.36	2.32	11.59	2.34	11.82	2.36	12.29	2.40	12.76	2.45
							20	10.27	2.29	10.72	2.33	11.17	2.37	11.40	2.40	11.63	2.42	12.10	2.46	12.57	2.51
							21	10.18	2.31	10.62	2.36	11.08	2.40	11.30	2.43	11.54	2.45	12.00	2.49	12.47	2.54
							23	9.98	2.37	10.43	2.42	10.88	2.46	11.11	2.49	11.35	2.51	11.81	2.55	12.29	2.60
							25	9.79	2.43	10.24	2.48	10.69	2.52	10.92	2.55	11.16	2.57	11.62	2.61	12.10	2.66
							27	9.60	2.50	10.05	2.54	10.50	2.59	10.73	2.61	10.97	2.63	11.44	2.68	11.91	2.72
							29	9.41	2.56	9.86	2.60	10.32	2.65	10.55	2.67	10.78	2.69	11.25	2.74	11.72	2.79
							31	9.22	2.62	9.67	2.67	10.13	2.71	10.36	2.74	10.59	2.76	11.06	2.80	11.54	2.85
							33	9.03	2.69	9.48	2.73	9.94	2.78	10.17	2.80	10.40	2.82	10.87	2.87	11.35	2.92
							35	8.84	2.75	9.29	2.80	9.75	2.84	10.00	2.86	10.22	2.89	10.69	2.94	11.17	2.98
							37	8.65	2.82	9.10	2.86	9.56	2.91	9.79	2.93	10.03	2.96	10.50	3.00	10.98	3.05
							39	8.46	2.88	8.92	2.93	9.38	2.98	9.61	3.00	9.84	3.02	10.32	3.07	10.80	3.12
42	8.18	2.99	8.63	3.03	9.10	3.08	9.33	3.10	9.56	3.13	10.04	3.18	10.52	3.22							
44	7.99	3.06	8.45	3.10	8.91	3.15	9.14	3.18	9.38	3.20	9.86	3.25	10.34	3.29							
46	7.80	3.13	8.26	3.17	8.73	3.22	8.96	3.25	9.20	3.27	9.67	3.32	10.16	3.37							
2500	2500	3500	3500	3500	15500	155%	10	11.24	2.00	11.69	2.04	12.13	2.08	12.36	2.11	12.59	2.13	13.05	2.17	13.52	2.21
							12	11.05	2.05	11.49	2.10	11.94	2.14	12.17	2.16	12.40	2.18	12.86	2.22	13.33	2.27
							14	10.85	2.11	11.30	2.15	11.75	2.19	11.97	2.22	12.20	2.24	12.67	2.28	13.14	2.32
							16	10.66	2.16	11.10	2.21	11.55	2.25	11.78	2.27	12.01	2.29	12.48	2.34	12.95	2.38
							18	10.47	2.22	10.91	2.26	11.36	2.31	11.59	2.33	11.82	2.35	12.29	2.39	12.76	2.44
							20	10.27	2.28	10.72	2.32	11.17	2.37	11.40	2.39	11.63	2.41	12.10	2.45	12.57	2.50
							21	10.18	2.31	10.62	2.35	11.08	2.39	11.30	2.42	11.54	2.44	12.00	2.48	12.47	2.53
							23	9.98	2.37	10.43	2.41	10.88	2.45	11.11	2.48	11.35	2.50	11.81	2.54	12.29	2.59
							25	9.79	2.43	10.24	2.47	10.69	2.52	10.92	2.54	11.16	2.56	11.62	2.60	12.10	2.65
							27	9.60	2.49	10.05	2.53	10.50	2.58	10.73	2.60	10.97	2.62	11.44	2.67	11.91	2.71
							29	9.41	2.55	9.86	2.59	10.32	2.64	10.55	2.66	10.78	2.68	11.25	2.73	11.72	2.78
							31	9.22	2.61	9.67	2.66	10.13	2.70	10.36	2.73	10.59	2.75	11.06	2.79	11.54	2.84
							33	9.03	2.68	9.48	2.72	9.94	2.77	10.17	2.79	10.40	2.81	10.87	2.86	11.35	2.91
							35	8.84	2.74	9.29	2.79	9.75	2.83	10.00	2.85	10.22	2.88	10.69	2.93	11.17	2.97
							37	8.65	2.81	9.10	2.85	9.56	2.90	9.79	2.92	10.03	2.95	10.50	2.99	10.98	3.04
							39	8.46	2.87	8.92	2.92	9.38	2.97	9.61	2.99	9.84	3.01	10.32	3.06	10.80	3.11
42	8.18	2.98	8.63	3.02	9.10	3.07	9.33	3.09	9.56	3.12	10.04	3.16	10.52	3.21							
44	7.99	3.05	8.45	3.09	8.91	3.14	9.14	3.16	9.38	3.19	9.86	3.24	10.34	3.28							
46	7.80	3.12	8.26	3.16	8.73	3.21	8.96	3.24	9.20	3.26	9.67	3.31	10.16	3.35							

# 12. Capacity Table

## 12-7. AJ100MCJ5EH/EU

### COOLING

Combination (Capacity Index)	Combination (Total)	Combination (%)	Outdoor Temperature (°C, DB)	Indoor Temperature (°C, WB)																	
				14		16		18		19		20		22		24					
				TC(kW)	PI(kW)	TC(kW)	PI(kW)	TC(kW)	PI(kW)	TC(kW)	PI(kW)	TC(kW)	PI(kW)	TC(kW)	PI(kW)	TC(kW)	PI(kW)				
2500	2500	3500	3500	5000	17000	170%	10	11.24	2.05	11.69	2.09	12.13	2.14	12.36	2.16	12.59	2.18	13.05	2.22	13.52	2.27
							12	11.05	2.10	11.49	2.15	11.94	2.19	12.17	2.21	12.40	2.24	12.86	2.28	13.33	2.32
							14	10.85	2.16	11.30	2.20	11.75	2.25	11.97	2.27	12.20	2.29	12.67	2.34	13.14	2.38
							16	10.66	2.22	11.10	2.26	11.55	2.31	11.78	2.33	12.01	2.35	12.48	2.39	12.95	2.44
							18	10.47	2.27	10.91	2.32	11.36	2.36	11.59	2.39	11.82	2.41	12.29	2.45	12.76	2.50
							20	10.27	2.33	10.72	2.38	11.17	2.42	11.40	2.45	11.63	2.47	12.10	2.51	12.57	2.56
							21	10.18	2.36	10.62	2.41	11.08	2.45	11.30	2.48	11.54	2.50	12.00	2.54	12.47	2.59
							23	9.98	2.42	10.43	2.47	10.88	2.51	11.11	2.54	11.35	2.56	11.81	2.61	12.29	2.65
							25	9.79	2.49	10.24	2.53	10.69	2.58	10.92	2.60	11.16	2.62	11.62	2.67	12.10	2.71
							27	9.60	2.55	10.05	2.59	10.50	2.64	10.73	2.66	10.97	2.69	11.44	2.73	11.91	2.78
							29	9.41	2.61	9.86	2.66	10.32	2.70	10.55	2.73	10.78	2.75	11.25	2.80	11.72	2.84
							31	9.22	2.68	9.67	2.72	10.13	2.77	10.36	2.79	10.59	2.82	11.06	2.86	11.54	2.91
							33	9.03	2.74	9.48	2.79	9.94	2.84	10.17	2.86	10.40	2.88	10.87	2.93	11.35	2.98
							35	8.84	2.81	9.29	2.86	9.75	2.90	10.00	2.92	10.22	2.95	10.69	3.00	11.17	3.04
							37	8.65	2.88	9.10	2.92	9.56	2.97	9.79	2.99	10.03	3.02	10.50	3.07	10.98	3.11
							39	8.46	2.94	8.92	2.99	9.38	3.04	9.61	3.06	9.84	3.09	10.32	3.14	10.80	3.18
42	8.18	3.05	8.63	3.10	9.10	3.15	9.33	3.17	9.56	3.19	10.04	3.24	10.52	3.29							
44	7.99	3.12	8.45	3.17	8.91	3.22	9.14	3.24	9.38	3.27	9.86	3.31	10.34	3.36							
46	7.80	3.19	8.26	3.24	8.73	3.29	8.96	3.31	9.20	3.34	9.67	3.39	10.16	3.44							
2500	3500	3500	3500	3500	16500	165%	10	11.24	2.04	11.69	2.09	12.13	2.13	12.36	2.15	12.59	2.17	13.05	2.22	13.52	2.26
							12	11.05	2.10	11.49	2.14	11.94	2.18	12.17	2.21	12.40	2.23	12.86	2.27	13.33	2.32
							14	10.85	2.15	11.30	2.20	11.75	2.24	11.97	2.26	12.20	2.28	12.67	2.33	13.14	2.37
							16	10.66	2.21	11.10	2.25	11.55	2.30	11.78	2.32	12.01	2.34	12.48	2.39	12.95	2.43
							18	10.47	2.27	10.91	2.31	11.36	2.36	11.59	2.38	11.82	2.40	12.29	2.45	12.76	2.49
							20	10.27	2.33	10.72	2.37	11.17	2.42	11.40	2.44	11.63	2.46	12.10	2.51	12.57	2.55
							21	10.18	2.36	10.62	2.40	11.08	2.45	11.30	2.47	11.54	2.49	12.00	2.54	12.47	2.58
							23	9.98	2.42	10.43	2.46	10.88	2.51	11.11	2.53	11.35	2.55	11.81	2.60	12.29	2.64
							25	9.79	2.48	10.24	2.52	10.69	2.57	10.92	2.59	11.16	2.61	11.62	2.66	12.10	2.71
							27	9.60	2.54	10.05	2.58	10.50	2.63	10.73	2.65	10.97	2.68	11.44	2.72	11.91	2.77
							29	9.41	2.60	9.86	2.65	10.32	2.69	10.55	2.72	10.78	2.74	11.25	2.79	11.72	2.83
							31	9.22	2.67	9.67	2.71	10.13	2.76	10.36	2.78	10.59	2.81	11.06	2.85	11.54	2.90
							33	9.03	2.73	9.48	2.78	9.94	2.83	10.17	2.85	10.40	2.87	10.87	2.92	11.35	2.97
							35	8.84	2.80	9.29	2.85	9.75	2.89	10.00	2.91	10.22	2.94	10.69	2.99	11.17	3.03
							37	8.65	2.87	9.10	2.91	9.56	2.96	9.79	2.98	10.03	3.01	10.50	3.06	10.98	3.10
							39	8.46	2.93	8.92	2.98	9.38	3.03	9.61	3.05	9.84	3.08	10.32	3.13	10.80	3.17
42	8.18	3.04	8.63	3.09	9.10	3.14	9.33	3.16	9.56	3.18	10.04	3.23	10.52	3.28							
44	7.99	3.11	8.45	3.16	8.91	3.21	9.14	3.23	9.38	3.26	9.86	3.30	10.34	3.35							
46	7.80	3.18	8.26	3.23	8.73	3.28	8.96	3.30	9.20	3.33	9.67	3.38	10.16	3.43							

#### NOTE

- Cooling capacity is based on 27°CDB / 19°CWB (indoor temperature), 35°CDB (outdoor temperature).
- Heating capacity is based on 20°CDB (indoor temperature), 7°CDB/6°CWB (outdoor temperature).
- The above is the value for connecting with the following indoor units.
  - 2000, 2500, 3500, 5000, 6800W class: Wall Mounted
- Capacities are based on the following conditions:
  - Corresponding refrigerant piping length : 5m / - Level difference : 0m
- The total ability of connected a indoor unit is up to 17.3kW
- It is impossible to connect the indoor unit for one room only.
- This data is reference data for temperature capacity trend.

# 12. Capacity Table

## 12-7. AJ100MCJ5EH/EU

### HEATING

Combination (Capacity Index)					Combination (Total)	Combination (%)	Outdoor Temperature (°C, DB)	Indoor Temperature (°C, DB)															
								14		16		18		20		21		22		24			
								TC(kW)	PI(kW)	TC(kW)	PI(kW)	TC(kW)	PI(kW)	TC(kW)	PI(kW)	TC(kW)	PI(kW)	TC(kW)	PI(kW)	TC(kW)	PI(kW)		
2000					2000	20%	-15	1.26	0.72	1.22	0.73	1.18	0.74	1.17	0.74	1.15	0.74	1.13	0.75	1.11	0.76		
							-10	1.51	0.75	1.47	0.76	1.43	0.77	1.41	0.78	1.40	0.78	1.37	0.79	1.34	0.80		
							-5	1.76	0.79	1.71	0.80	1.67	0.81	1.66	0.82	1.64	0.82	1.61	0.83	1.58	0.84		
							0	2.01	0.83	1.96	0.84	1.92	0.85	1.90	0.86	1.88	0.86	1.85	0.87	1.82	0.88		
							2	2.11	0.84	2.06	0.85	2.02	0.87	2.00	0.87	1.98	0.88	1.95	0.89	1.92	0.89		
							7	2.31	0.87	2.26	0.88	2.21	0.90	2.20	0.90	2.17	0.91	2.14	0.92	2.11	0.92		
							10	2.51	0.90	2.46	0.91	2.41	0.93	2.39	0.93	2.37	0.94	2.33	0.95	2.30	0.96		
							15	2.76	0.94	2.71	0.95	2.66	0.96	2.64	0.97	2.61	0.97	2.57	0.99	2.54	0.99		
2500					2500	25%	-15	1.83	0.85	1.77	0.86	1.72	0.87	1.70	0.88	1.68	0.88	1.64	0.89	1.61	0.90		
							-10	2.19	0.90	2.13	0.91	2.08	0.92	2.05	0.93	2.03	0.93	1.99	0.94	1.95	0.95		
							-5	2.56	0.94	2.49	0.95	2.44	0.97	2.41	0.97	2.38	0.98	2.34	0.99	2.30	1.00		
							0	2.92	0.98	2.85	1.00	2.79	1.01	2.76	1.02	2.74	1.02	2.69	1.03	2.65	1.04		
							2	3.07	1.00	3.00	1.02	2.94	1.03	2.91	1.04	2.88	1.04	2.83	1.05	2.79	1.06		
							7	3.36	1.04	3.29	1.05	3.22	1.06	3.20	1.07	3.16	1.08	3.11	1.09	3.07	1.10		
							10	3.65	1.07	3.58	1.09	3.51	1.10	3.48	1.11	3.45	1.11	3.39	1.13	3.34	1.14		
							15	4.02	1.11	3.94	1.13	3.87	1.14	3.83	1.15	3.80	1.16	3.74	1.17	3.69	1.18		
3500					3500	35%	-15	2.29	1.02	2.22	1.03	2.15	1.05	2.13	1.05	2.10	1.06	2.05	1.07	2.01	1.08		
							-10	2.74	1.07	2.67	1.09	2.60	1.10	2.57	1.11	2.54	1.11	2.49	1.12	2.44	1.13		
							-5	3.20	1.12	3.12	1.14	3.04	1.16	3.01	1.16	2.98	1.17	2.92	1.18	2.88	1.19		
							0	3.65	1.18	3.57	1.19	3.49	1.21	3.46	1.22	3.42	1.22	3.36	1.24	3.31	1.25		
							2	3.83	1.20	3.75	1.21	3.67	1.23	3.63	1.24	3.60	1.25	3.54	1.26	3.48	1.27		
							7	4.20	1.24	4.11	1.26	4.03	1.27	4.00	1.28	3.95	1.29	3.89	1.30	3.83	1.32		
							10	4.56	1.28	4.47	1.30	4.38	1.32	4.35	1.32	4.31	1.33	4.24	1.35	4.18	1.36		
							15	5.02	1.33	4.92	1.35	4.83	1.37	4.79	1.38	4.75	1.39	4.68	1.40	4.62	1.41		
5000					5000	50%	-15	3.43	1.43	3.33	1.45	3.23	1.47	3.19	1.48	3.15	1.49	3.08	1.50	3.02	1.51		
							-10	4.11	1.51	4.00	1.53	3.90	1.55	3.85	1.56	3.81	1.57	3.73	1.58	3.67	1.59		
							-5	4.80	1.58	4.67	1.60	4.57	1.62	4.52	1.63	4.47	1.64	4.39	1.66	4.31	1.68		
							0	5.48	1.65	5.35	1.68	5.24	1.70	5.18	1.71	5.13	1.72	5.04	1.74	4.97	1.75		
							2	5.75	1.68	5.62	1.71	5.50	1.73	5.45	1.74	5.40	1.75	5.31	1.77	5.23	1.79		
							7	6.30	1.74	6.16	1.77	6.04	1.79	6.00	1.80	5.93	1.81	5.83	1.83	5.75	1.85		
							10	6.84	1.80	6.70	1.83	6.58	1.85	6.52	1.86	6.46	1.87	6.36	1.89	6.27	1.91		
							15	7.53	1.87	7.38	1.90	7.25	1.93	7.19	1.94	7.13	1.95	7.02	1.97	6.92	1.99		
6800					6800	68%	-15	4.47	1.87	4.33	1.90	4.20	1.92	4.14	1.93	4.09	1.94	4.00	1.96	3.92	1.98		
							-10	5.35	1.97	5.20	2.00	5.07	2.02	5.01	2.03	4.95	2.04	4.85	2.06	4.77	2.08		
							-5	6.23	2.06	6.08	2.09	5.94	2.12	5.87	2.13	5.81	2.15	5.70	2.17	5.61	2.19		
							0	7.12	2.16	6.96	2.19	6.81	2.22	6.74	2.23	6.67	2.25	6.56	2.27	6.45	2.29		
							2	7.47	2.20	7.31	2.23	7.15	2.26	7.08	2.27	7.02	2.29	6.90	2.31	6.79	2.33		
							7	8.19	2.27	8.01	2.31	7.85	2.34	7.80	2.35	7.71	2.37	7.58	2.39	7.47	2.41		
							10	8.90	2.35	8.72	2.39	8.55	2.42	8.47	2.43	8.40	2.45	8.27	2.47	8.15	2.50		
							15	9.79	2.44	9.60	2.48	9.43	2.51	9.34	2.53	9.27	2.55	9.13	2.57	9.00	2.60		
2000	2000				4000	40%	-15	2.52	0.99	2.44	1.01	2.37	1.02	2.34	1.03	2.31	1.03	2.26	1.04	2.21	1.05		
							-10	3.02	1.05	2.93	1.06	2.86	1.08	2.82	1.08	2.79	1.09	2.74	1.10	2.69	1.11		
							-5	3.52	1.10	3.43	1.11	3.35	1.13	3.31	1.14	3.28	1.14	3.22	1.15	3.16	1.16		
							0	4.02	1.15	3.92	1.17	3.84	1.18	3.80	1.19	3.76	1.20	3.70	1.21	3.64	1.22		
							2	4.22	1.17	4.12	1.19	4.04	1.20	4.00	1.21	3.96	1.22	3.89	1.23	3.83	1.24		
							7	4.62	1.21	4.52	1.23	4.43	1.24	4.40	1.25	4.35	1.26	4.28	1.27	4.21	1.28		
							10	5.02	1.25	4.92	1.27	4.82	1.29	4.78	1.29	4.74	1.30	4.66	1.32	4.60	1.33		
							15	5.52	1.30	5.41	1.32	5.32	1.34	5.27	1.35	5.23	1.35	5.15	1.37	5.08	1.38		

# 12. Capacity Table

## 12-7. AJ100MCJ5EH/EU

### HEATING

Combination (Capacity Index)		Combination (Total)	Combination (%)	Outdoor Temperature (°C, DB)	Indoor Temperature (°C, DB)													
					14		16		18		20		21		22		24	
					TC(kW)	PI(kW)	TC(kW)	PI(kW)	TC(kW)	PI(kW)	TC(kW)	PI(kW)	TC(kW)	PI(kW)	TC(kW)	PI(kW)	TC(kW)	PI(kW)
2000	2500	4500	45%	-15	3.15	1.21	3.05	1.23	2.96	1.24	2.92	1.25	2.89	1.26	2.82	1.27	2.77	1.28
				-10	3.77	1.27	3.67	1.29	3.57	1.31	3.53	1.32	3.49	1.32	3.42	1.34	3.36	1.35
				-5	4.40	1.33	4.29	1.35	4.19	1.37	4.14	1.38	4.10	1.39	4.02	1.40	3.96	1.41
				0	5.02	1.40	4.90	1.42	4.80	1.44	4.75	1.45	4.71	1.45	4.62	1.47	4.55	1.48
				2	5.27	1.42	5.15	1.44	5.05	1.46	5.00	1.47	4.95	1.48	4.86	1.49	4.79	1.51
				7	5.77	1.47	5.65	1.49	5.54	1.51	5.50	1.52	5.44	1.53	5.35	1.55	5.27	1.56
				10	6.27	1.52	6.15	1.54	6.03	1.56	5.98	1.57	5.92	1.58	5.83	1.60	5.75	1.61
2000	3500	5500	55%	-15	3.55	1.35	3.44	1.37	3.34	1.39	3.29	1.40	3.25	1.41	3.18	1.42	3.12	1.43
				-10	4.25	1.42	4.13	1.44	4.03	1.46	3.98	1.47	3.94	1.48	3.86	1.49	3.79	1.51
				-5	4.95	1.49	4.83	1.51	4.72	1.53	4.67	1.54	4.62	1.55	4.53	1.57	4.46	1.58
				0	5.66	1.56	5.53	1.59	5.41	1.61	5.36	1.62	5.30	1.63	5.21	1.64	5.13	1.66
				2	5.94	1.59	5.81	1.61	5.69	1.64	5.63	1.65	5.58	1.65	5.48	1.67	5.40	1.69
				7	6.51	1.65	6.37	1.67	6.24	1.69	6.20	1.70	6.13	1.71	6.03	1.73	5.94	1.75
				10	7.07	1.70	6.93	1.73	6.80	1.75	6.74	1.76	6.68	1.77	6.57	1.79	6.48	1.81
2000	5000	7000	70%	-15	4.69	1.78	4.55	1.81	4.42	1.83	4.36	1.84	4.30	1.85	4.20	1.87	4.12	1.88
				-10	5.62	1.87	5.47	1.90	5.33	1.93	5.26	1.94	5.21	1.95	5.10	1.97	5.01	1.98
				-5	6.55	1.97	6.39	2.00	6.24	2.02	6.17	2.03	6.11	2.05	5.99	2.07	5.90	2.08
				0	7.48	2.06	7.31	2.09	7.16	2.12	7.08	2.13	7.02	2.14	6.89	2.16	6.79	2.18
				2	7.86	2.09	7.68	2.13	7.52	2.15	7.45	2.17	7.38	2.18	7.25	2.20	7.14	2.22
				7	8.61	2.17	8.42	2.20	8.25	2.23	8.20	2.24	8.10	2.26	7.97	2.28	7.85	2.30
				10	9.35	2.24	9.16	2.27	8.99	2.30	8.91	2.32	8.83	2.33	8.69	2.36	8.57	2.38
2000	6800	8800	88%	-15	5.72	2.22	5.55	2.25	5.39	2.28	5.31	2.29	5.25	2.31	5.13	2.33	5.03	2.35
				-10	6.86	2.33	6.67	2.37	6.50	2.40	6.42	2.41	6.35	2.43	6.22	2.45	6.11	2.47
				-5	7.99	2.45	7.79	2.49	7.61	2.52	7.53	2.53	7.45	2.55	7.31	2.57	7.19	2.60
				0	9.13	2.56	8.92	2.60	8.73	2.64	8.64	2.65	8.56	2.67	8.41	2.70	8.28	2.72
				2	9.58	2.61	9.37	2.65	9.17	2.68	9.08	2.70	9.00	2.72	8.84	2.74	8.71	2.77
				7	10.49	2.70	10.27	2.74	10.07	2.78	10.00	2.79	9.88	2.81	9.72	2.84	9.58	2.87
				10	11.41	2.79	11.17	2.83	10.96	2.87	10.86	2.89	10.77	2.90	10.60	2.94	10.45	2.96
2500	2500	5000	50%	-15	3.78	1.45	3.66	1.47	3.55	1.49	3.51	1.50	3.46	1.50	3.38	1.52	3.32	1.53
				-10	4.53	1.52	4.40	1.55	4.29	1.57	4.24	1.57	4.19	1.58	4.10	1.60	4.03	1.61
				-5	5.27	1.60	5.14	1.62	5.02	1.64	4.97	1.65	4.92	1.66	4.83	1.68	4.75	1.69
				0	6.02	1.67	5.89	1.70	5.76	1.72	5.70	1.73	5.65	1.74	5.55	1.76	5.46	1.77
				2	6.32	1.70	6.18	1.73	6.05	1.75	5.99	1.76	5.94	1.77	5.84	1.79	5.75	1.81
				7	6.93	1.76	6.78	1.79	6.64	1.81	6.60	1.82	6.52	1.83	6.42	1.85	6.32	1.87
				10	7.53	1.82	7.37	1.85	7.24	1.87	7.17	1.88	7.11	1.89	7.00	1.92	6.90	1.93
2500	3500	6000	60%	-15	4.18	1.60	4.05	1.62	3.93	1.64	3.88	1.65	3.83	1.66	3.74	1.68	3.67	1.69
				-10	5.01	1.68	4.87	1.71	4.74	1.73	4.69	1.74	4.63	1.75	4.54	1.77	4.46	1.78
				-5	5.83	1.76	5.69	1.79	5.56	1.81	5.50	1.83	5.44	1.84	5.34	1.85	5.25	1.87
				0	6.66	1.85	6.51	1.87	6.37	1.90	6.31	1.91	6.25	1.92	6.14	1.94	6.04	1.96
				2	7.00	1.88	6.84	1.91	6.70	1.93	6.63	1.95	6.57	1.96	6.46	1.98	6.36	1.99
				7	7.66	1.94	7.50	1.97	7.35	2.00	7.30	2.01	7.22	2.02	7.10	2.05	6.99	2.07
				10	8.33	2.01	8.16	2.04	8.00	2.07	7.93	2.08	7.86	2.09	7.74	2.12	7.63	2.14
				15	9.16	2.09	8.98	2.12	8.82	2.15	8.75	2.16	8.67	2.18	8.54	2.20	8.42	2.22

# 12. Capacity Table

## 12-7. AJ100MCJ5EH/EU

### HEATING

Combination (Capacity Index)				Combination (Total)	Combination (%)	Outdoor Temperature (°C, DB)	Indoor Temperature (°C, DB)															
							14		16		18		20		21		22		24			
								TC(kW)	PI(kW)	TC(kW)	PI(kW)	TC(kW)	PI(kW)	TC(kW)	PI(kW)	TC(kW)	PI(kW)	TC(kW)	PI(kW)			
2500	5000			7500	75%	-15	5.32	2.06	5.16	2.09	5.01	2.12	4.94	2.13	4.88	2.14	4.77	2.16	4.68	2.18		
						-10	6.38	2.17	6.20	2.20	6.04	2.23	5.97	2.24	5.90	2.25	5.78	2.28	5.68	2.29		
						-5	7.43	2.27	7.25	2.31	7.08	2.34	7.00	2.35	6.93	2.37	6.80	2.39	6.69	2.41		
						0	8.49	2.38	8.29	2.42	8.12	2.45	8.03	2.46	7.96	2.48	7.82	2.50	7.70	2.52		
						2	8.91	2.42	8.71	2.46	8.53	2.49	8.45	2.51	8.37	2.52	8.22	2.55	8.10	2.57		
						7	9.76	2.51	9.55	2.54	9.36	2.58	<b>9.30</b>	<b>2.59</b>	9.19	2.61	9.04	2.64	8.91	2.66		
						10	10.61	2.59	10.39	2.63	10.20	2.66	10.10	2.68	10.02	2.70	9.86	2.73	9.72	2.75		
2500	6800			9300	93%	-15	6.07	2.32	5.88	2.36	5.71	2.39	5.63	2.40	5.56	2.41	5.44	2.44	5.33	2.46		
						-10	7.27	2.44	7.07	2.48	6.89	2.51	6.81	2.53	6.73	2.54	6.59	2.57	6.48	2.59		
						-5	8.47	2.56	8.26	2.60	8.07	2.64	7.98	2.65	7.90	2.67	7.75	2.69	7.62	2.72		
						0	9.68	2.68	9.45	2.72	9.25	2.76	9.16	2.78	9.07	2.79	8.91	2.82	8.77	2.85		
						2	10.16	2.73	9.93	2.77	9.72	2.81	9.63	2.83	9.54	2.84	9.37	2.87	9.23	2.90		
						7	11.12	2.83	10.89	2.87	10.67	2.91	<b>10.60</b>	<b>2.92</b>	10.48	2.94	10.30	2.97	10.15	3.00		
						10	12.09	2.92	11.84	2.96	11.62	3.00	11.52	3.02	11.42	3.04	11.24	3.07	11.08	3.10		
3500	3500			7000	70%	-15	4.58	1.74	4.44	1.77	4.31	1.79	4.25	1.80	4.20	1.81	4.10	1.83	4.02	1.84		
						-10	5.49	1.83	5.33	1.86	5.20	1.88	5.14	1.89	5.08	1.91	4.97	1.92	4.89	1.94		
						-5	6.39	1.92	6.23	1.95	6.09	1.98	6.02	1.99	5.96	2.00	5.85	2.02	5.75	2.04		
						0	7.30	2.01	7.13	2.04	6.98	2.07	6.91	2.08	6.84	2.09	6.72	2.12	6.62	2.13		
						2	7.67	2.05	7.49	2.08	7.34	2.11	7.27	2.12	7.20	2.13	7.07	2.15	6.97	2.17		
						7	8.40	2.12	8.22	2.15	8.05	2.18	<b>8.00</b>	<b>2.19</b>	7.91	2.21	7.78	2.23	7.66	2.25		
						10	9.12	2.19	8.94	2.22	8.77	2.25	8.69	2.27	8.62	2.28	8.48	2.30	8.36	2.33		
3500	5000			8500	85%	-15	5.72	2.17	5.55	2.20	5.39	2.23	5.31	2.24	5.25	2.26	5.13	2.28	5.03	2.30		
						-10	6.86	2.28	6.67	2.32	6.50	2.35	6.42	2.36	6.35	2.38	6.22	2.40	6.11	2.42		
						-5	7.99	2.40	7.79	2.43	7.61	2.46	7.53	2.48	7.45	2.49	7.31	2.52	7.19	2.54		
						0	9.13	2.51	8.92	2.55	8.73	2.58	8.64	2.60	8.56	2.61	8.41	2.64	8.28	2.66		
						2	9.58	2.55	9.37	2.59	9.17	2.63	9.08	2.64	9.00	2.66	8.84	2.68	8.71	2.71		
						7	10.49	2.64	10.27	2.68	10.07	2.72	<b>10.00</b>	<b>2.73</b>	9.88	2.75	9.72	2.78	9.58	2.80		
						10	11.41	2.73	11.17	2.77	10.96	2.81	10.86	2.83	10.77	2.84	10.60	2.87	10.45	2.90		
3500	6800			10300	103%	-15	6.07	2.33	5.88	2.36	5.71	2.39	5.63	2.41	5.56	2.42	5.44	2.45	5.33	2.46		
						-10	7.27	2.45	7.07	2.49	6.89	2.52	6.81	2.54	6.73	2.55	6.59	2.57	6.48	2.60		
						-5	8.47	2.57	8.26	2.61	8.07	2.65	7.98	2.66	7.90	2.68	7.75	2.70	7.62	2.73		
						0	9.68	2.69	9.45	2.73	9.25	2.77	9.16	2.79	9.07	2.80	8.91	2.83	8.77	2.86		
						2	10.16	2.74	9.93	2.78	9.72	2.82	9.63	2.84	9.54	2.85	9.37	2.88	9.23	2.91		
						7	11.12	2.84	10.89	2.88	10.67	2.92	<b>10.60</b>	<b>2.93</b>	10.48	2.95	10.30	2.98	10.15	3.01		
						10	12.09	2.93	11.84	2.97	11.62	3.01	11.52	3.03	11.42	3.05	11.24	3.08	11.08	3.11		
5000	5000			10000	100%	-15	6.07	2.32	5.88	2.36	5.71	2.39	5.63	2.40	5.56	2.41	5.44	2.44	5.33	2.46		
						-10	7.27	2.44	7.07	2.48	6.89	2.51	6.81	2.53	6.73	2.54	6.59	2.57	6.48	2.59		
						-5	8.47	2.56	8.26	2.60	8.07	2.64	7.98	2.65	7.90	2.67	7.75	2.69	7.62	2.72		
						0	9.68	2.68	9.45	2.72	9.25	2.76	9.16	2.78	9.07	2.79	8.91	2.82	8.77	2.85		
						2	10.16	2.73	9.93	2.77	9.72	2.81	9.63	2.83	9.54	2.84	9.37	2.87	9.23	2.90		
						7	11.12	2.83	10.89	2.87	10.67	2.91	<b>10.60</b>	<b>2.92</b>	10.48	2.94	10.30	2.97	10.15	3.00		
						10	12.09	2.92	11.84	2.96	11.62	3.00	11.52	3.02	11.42	3.04	11.24	3.07	11.08	3.10		
15	13.30	3.04	13.04	3.08	12.81	3.12	12.70	3.14	12.59	3.16	12.40	3.20	12.23	3.23								

# 12. Capacity Table

## 12-7. AJ100MCJ5EH/EU

### HEATING

Combination (Capacity Index)				Combination (Total)	Combination (%)	Outdoor Temperature (°C, DB)	Indoor Temperature (°C, DB)															
							14		16		18		20		21		22		24			
							TC(kW)	PI(kW)	TC(kW)	PI(kW)	TC(kW)	PI(kW)	TC(kW)	PI(kW)	TC(kW)	PI(kW)	TC(kW)	PI(kW)	TC(kW)	PI(kW)		
5000	6800			11800	118%	-15	6.07	2.34	5.88	2.37	5.71	2.40	5.63	2.42	5.56	2.43	5.44	2.45	5.33	2.47		
						-10	7.27	2.46	7.07	2.50	6.89	2.53	6.81	2.54	6.73	2.56	6.59	2.58	6.48	2.61		
						-5	8.47	2.58	8.26	2.62	8.07	2.65	7.98	2.67	7.90	2.69	7.75	2.71	7.62	2.74		
						0	9.68	2.70	9.45	2.74	9.25	2.78	9.16	2.80	9.07	2.81	8.91	2.84	8.77	2.87		
						2	10.16	2.75	9.93	2.79	9.72	2.83	9.63	2.85	9.54	2.86	9.37	2.89	9.23	2.92		
						7	11.12	2.84	10.89	2.89	10.67	2.93	10.60	2.94	10.48	2.96	10.30	2.99	10.15	3.02		
						10	12.09	2.94	11.84	2.98	11.62	3.02	11.52	3.04	11.42	3.06	11.24	3.09	11.08	3.12		
15	13.30	3.06	13.04	3.10	12.81	3.15	12.70	3.17	12.59	3.18	12.40	3.22	12.23	3.25								
6800	6800			13600	136%	-15	6.07	2.32	5.88	2.36	5.71	2.39	5.63	2.40	5.56	2.41	5.44	2.44	5.33	2.46		
						-10	7.27	2.44	7.07	2.48	6.89	2.51	6.81	2.53	6.73	2.54	6.59	2.57	6.48	2.59		
						-5	8.47	2.56	8.26	2.60	8.07	2.64	7.98	2.65	7.90	2.67	7.75	2.69	7.62	2.72		
						0	9.68	2.68	9.45	2.72	9.25	2.76	9.16	2.78	9.07	2.79	8.91	2.82	8.77	2.85		
						2	10.16	2.73	9.93	2.77	9.72	2.81	9.63	2.83	9.54	2.84	9.37	2.87	9.23	2.90		
						7	11.12	2.83	10.89	2.87	10.67	2.91	10.60	2.92	10.48	2.94	10.30	2.97	10.15	3.00		
						10	12.09	2.92	11.84	2.96	11.62	3.00	11.52	3.02	11.42	3.04	11.24	3.07	11.08	3.10		
15	13.30	3.04	13.04	3.08	12.81	3.12	12.70	3.14	12.59	3.16	12.40	3.20	12.23	3.23								
2000	2000	2000		6000	60%	-15	3.78	1.37	3.66	1.39	3.55	1.41	3.51	1.41	3.46	1.42	3.38	1.44	3.32	1.45		
						-10	4.53	1.44	4.40	1.46	4.29	1.48	4.24	1.49	4.19	1.50	4.10	1.51	4.03	1.52		
						-5	5.27	1.51	5.14	1.53	5.02	1.55	4.97	1.56	4.92	1.57	4.83	1.59	4.75	1.60		
						0	6.02	1.58	5.89	1.60	5.76	1.63	5.70	1.64	5.65	1.64	5.55	1.66	5.46	1.68		
						2	6.32	1.61	6.18	1.63	6.05	1.65	5.99	1.66	5.94	1.67	5.84	1.69	5.75	1.71		
						7	6.93	1.66	6.78	1.69	6.64	1.71	6.60	1.72	6.52	1.73	6.42	1.75	6.32	1.77		
						10	7.53	1.72	7.37	1.75	7.24	1.77	7.17	1.78	7.11	1.79	7.00	1.81	6.90	1.83		
15	8.28	1.79	8.12	1.82	7.98	1.84	7.91	1.85	7.84	1.86	7.72	1.88	7.62	1.90								
2000	2000	2500		6500	65%	-15	4.41	1.61	4.27	1.64	4.15	1.66	4.09	1.67	4.04	1.68	3.95	1.69	3.87	1.71		
						-10	5.28	1.70	5.13	1.72	5.00	1.75	4.94	1.76	4.89	1.77	4.79	1.78	4.70	1.80		
						-5	6.15	1.78	6.00	1.81	5.86	1.83	5.80	1.84	5.74	1.85	5.63	1.87	5.54	1.89		
						0	7.03	1.87	6.87	1.89	6.72	1.92	6.65	1.93	6.59	1.94	6.47	1.96	6.37	1.98		
						2	7.38	1.90	7.21	1.93	7.06	1.95	6.99	1.96	6.93	1.98	6.81	2.00	6.71	2.01		
						7	8.08	1.96	7.91	1.99	7.75	2.02	7.70	2.03	7.61	2.04	7.49	2.07	7.38	2.09		
						10	8.78	2.03	8.60	2.06	8.44	2.09	8.37	2.10	8.29	2.11	8.16	2.14	8.05	2.16		
15	9.66	2.11	9.48	2.14	9.30	2.17	9.22	2.19	9.15	2.20	9.01	2.22	8.88	2.24								
2000	2000	3500		7500	75%	-15	4.81	1.76	4.66	1.78	4.52	1.81	4.46	1.82	4.41	1.83	4.31	1.84	4.22	1.86		
						-10	5.76	1.85	5.60	1.88	5.46	1.90	5.39	1.91	5.33	1.92	5.22	1.94	5.13	1.96		
						-5	6.71	1.94	6.54	1.97	6.39	2.00	6.32	2.01	6.26	2.02	6.14	2.04	6.04	2.06		
						0	7.67	2.03	7.49	2.06	7.33	2.09	7.26	2.10	7.19	2.11	7.06	2.14	6.95	2.15		
						2	8.05	2.07	7.87	2.10	7.71	2.13	7.63	2.14	7.56	2.15	7.43	2.17	7.32	2.19		
						7	8.81	2.14	8.63	2.17	8.46	2.20	8.40	2.21	8.30	2.23	8.17	2.25	8.05	2.27		
						10	9.58	2.21	9.39	2.24	9.21	2.27	9.13	2.29	9.05	2.30	8.90	2.33	8.78	2.35		
15	10.54	2.30	10.34	2.33	10.15	2.36	10.06	2.38	9.98	2.39	9.83	2.42	9.69	2.44								
2000	2000	5000		9000	90%	-15	5.55	2.15	5.37	2.19	5.22	2.21	5.15	2.23	5.08	2.24	4.97	2.26	4.87	2.28		
						-10	6.64	2.27	6.46	2.30	6.30	2.33	6.22	2.34	6.15	2.36	6.03	2.38	5.92	2.40		
						-5	7.74	2.38	7.55	2.41	7.37	2.45	7.29	2.46	7.22	2.48	7.08	2.50	6.97	2.52		
						0	8.85	2.49	8.64	2.53	8.46	2.56	8.37	2.58	8.29	2.59	8.14	2.62	8.02	2.64		
						2	9.29	2.53	9.08	2.57	8.89	2.61	8.80	2.62	8.72	2.64	8.57	2.67	8.44	2.69		
						7	10.17	2.62	9.95	2.66	9.75	2.70	9.69	2.71	9.58	2.73	9.42	2.76	9.28	2.78		
						10	11.05	2.71	10.83	2.75	10.62	2.79	10.53	2.80	10.44	2.82	10.27	2.85	10.13	2.88		
15	12.16	2.82	11.92	2.86	11.71	2.90	11.61	2.92	11.51	2.94	11.34	2.97	11.18	3.00								



# 12. Capacity Table

## 12-7. AJ100MCJ5EH/EU

### HEATING

Combination (Capacity Index)				Combination (Total)	Combination (%)	Outdoor Temperature (°C, DB)	Indoor Temperature (°C, DB)													
							14		16		18		20		21		22		24	
							TC(kW)	PI(kW)	TC(kW)	PI(kW)	TC(kW)	PI(kW)	TC(kW)	PI(kW)	TC(kW)	PI(kW)	TC(kW)	PI(kW)	TC(kW)	PI(kW)
2000	2000	6800		10800	108%	-15	5.64	2.17	5.47	2.20	5.31	2.23	5.24	2.24	5.17	2.26	5.06	2.28	4.96	2.30
						-10	6.76	2.28	6.57	2.32	6.41	2.35	6.33	2.36	6.26	2.38	6.13	2.40	6.02	2.42
						-5	7.88	2.40	7.68	2.43	7.50	2.46	7.42	2.48	7.35	2.49	7.21	2.52	7.09	2.54
						0	9.00	2.51	8.79	2.55	8.60	2.58	8.52	2.60	8.44	2.61	8.29	2.64	8.16	2.66
						2	9.45	2.55	9.24	2.59	9.04	2.63	8.96	2.64	8.87	2.66	8.72	2.68	8.59	2.71
						7	10.35	2.64	10.13	2.68	9.93	2.72	9.86	2.73	9.75	2.75	9.59	2.78	9.44	2.80
						10	11.25	2.73	11.02	2.77	10.81	2.81	10.71	2.83	10.62	2.84	10.45	2.87	10.30	2.90
2000	2500	2500		7000	70%	-15	5.04	1.89	4.88	1.92	4.74	1.95	4.68	1.96	4.62	1.97	4.51	1.99	4.43	2.00
						-10	6.03	1.99	5.87	2.02	5.72	2.05	5.65	2.06	5.59	2.07	5.47	2.09	5.38	2.11
						-5	7.03	2.09	6.86	2.12	6.70	2.15	6.62	2.16	6.56	2.17	6.43	2.20	6.33	2.21
						0	8.03	2.19	7.85	2.22	7.68	2.25	7.60	2.26	7.53	2.28	7.40	2.30	7.28	2.32
						2	8.43	2.23	8.24	2.26	8.07	2.29	7.99	2.30	7.92	2.32	7.78	2.34	7.66	2.36
						7	9.23	2.30	9.04	2.34	8.86	2.37	8.80	2.38	8.70	2.40	8.55	2.42	8.43	2.45
						10	10.04	2.38	9.83	2.42	9.65	2.45	9.56	2.46	9.48	2.48	9.33	2.50	9.20	2.53
2000	2500	3500		8000	80%	-15	5.44	2.00	5.27	2.03	5.12	2.06	5.05	2.07	4.98	2.08	4.87	2.10	4.78	2.12
						-10	6.51	2.11	6.33	2.14	6.17	2.17	6.10	2.18	6.03	2.19	5.91	2.21	5.80	2.23
						-5	7.59	2.21	7.40	2.25	7.23	2.27	7.15	2.29	7.08	2.30	6.95	2.32	6.83	2.35
						0	8.67	2.32	8.47	2.35	8.29	2.38	8.21	2.40	8.13	2.41	7.99	2.43	7.86	2.46
						2	9.10	2.36	8.90	2.39	8.71	2.42	8.63	2.44	8.55	2.45	8.40	2.48	8.27	2.50
						7	9.97	2.44	9.76	2.47	9.56	2.51	9.50	2.52	9.39	2.54	9.24	2.57	9.10	2.59
						10	10.84	2.52	10.62	2.56	10.41	2.59	10.32	2.61	10.23	2.62	10.07	2.65	9.93	2.68
2000	2500	5000		9500	95%	-15	5.60	2.12	5.43	2.15	5.27	2.18	5.20	2.19	5.14	2.21	5.02	2.23	4.92	2.25
						-10	6.71	2.23	6.53	2.27	6.36	2.30	6.29	2.31	6.21	2.32	6.09	2.35	5.98	2.37
						-5	7.82	2.34	7.63	2.38	7.45	2.41	7.37	2.42	7.29	2.44	7.16	2.46	7.04	2.48
						0	8.94	2.45	8.73	2.49	8.54	2.52	8.46	2.54	8.38	2.55	8.23	2.58	8.10	2.60
						2	9.38	2.50	9.17	2.53	8.98	2.57	8.89	2.58	8.81	2.60	8.66	2.63	8.53	2.65
						7	10.27	2.58	10.05	2.62	9.86	2.66	9.79	2.67	9.68	2.69	9.52	2.72	9.38	2.74
						10	11.17	2.67	10.94	2.71	10.73	2.75	10.64	2.76	10.54	2.78	10.38	2.81	10.23	2.84
2000	2500	6800		11300	113%	-15	5.71	2.17	5.53	2.20	5.37	2.23	5.30	2.24	5.23	2.26	5.11	2.28	5.01	2.30
						-10	6.84	2.28	6.65	2.32	6.48	2.35	6.40	2.36	6.33	2.38	6.20	2.40	6.09	2.42
						-5	7.97	2.40	7.77	2.43	7.59	2.46	7.51	2.48	7.43	2.49	7.29	2.52	7.17	2.54
						0	9.10	2.51	8.89	2.55	8.70	2.58	8.61	2.60	8.53	2.61	8.38	2.64	8.25	2.66
						2	9.55	2.55	9.34	2.59	9.15	2.63	9.06	2.64	8.97	2.66	8.82	2.68	8.68	2.71
						7	10.46	2.64	10.24	2.68	10.04	2.72	9.97	2.73	9.85	2.75	9.69	2.78	9.55	2.80
						10	11.37	2.73	11.14	2.77	10.93	2.81	10.83	2.83	10.74	2.84	10.57	2.87	10.42	2.90
2000	3500	3500		9000	90%	-15	5.54	2.15	5.36	2.18	5.21	2.21	5.14	2.22	5.07	2.23	4.96	2.25	4.86	2.27
						-10	6.63	2.26	6.45	2.29	6.28	2.32	6.21	2.34	6.14	2.35	6.01	2.37	5.91	2.39
						-5	7.73	2.37	7.53	2.41	7.36	2.44	7.28	2.45	7.20	2.47	7.07	2.49	6.95	2.51
						0	8.83	2.48	8.62	2.52	8.44	2.55	8.35	2.57	8.27	2.58	8.13	2.61	8.00	2.63
						2	9.27	2.53	9.06	2.56	8.87	2.60	8.78	2.61	8.70	2.63	8.55	2.66	8.42	2.68
						7	10.15	2.61	9.93	2.65	9.73	2.69	9.67	2.70	9.56	2.72	9.40	2.75	9.26	2.77
						10	11.03	2.70	10.81	2.74	10.60	2.78	10.51	2.79	10.42	2.81	10.25	2.84	10.10	2.87
15	12.13	2.81	11.90	2.85	11.68	2.89	11.58	2.91	11.49	2.92	11.31	2.96	11.16	2.98						

# 12. Capacity Table

## 12-7. AJ100MCJ5EH/EU

### HEATING

Combination (Capacity Index)				Combination (Total)	Combination (%)	Outdoor Temperature (°C, DB)	Indoor Temperature (°C, DB)															
							14		16		18		20		21		22		24			
							TC(kW)	PI(kW)	TC(kW)	PI(kW)	TC(kW)	PI(kW)	TC(kW)	PI(kW)	TC(kW)	PI(kW)	TC(kW)	PI(kW)	TC(kW)	PI(kW)		
2000	3500	5000	10500	105%	-15	5.64	2.16	5.47	2.19	5.31	2.22	5.24	2.24	5.17	2.25	5.06	2.27	4.96	2.29			
					-10	6.76	2.28	6.57	2.31	6.41	2.34	6.33	2.35	6.26	2.37	6.13	2.39	6.02	2.41			
					-5	7.88	2.39	7.68	2.42	7.50	2.46	7.42	2.47	7.35	2.48	7.21	2.51	7.09	2.53			
					0	9.00	2.50	8.79	2.54	8.60	2.57	8.52	2.59	8.44	2.60	8.29	2.63	8.16	2.65			
					2	9.45	2.54	9.24	2.58	9.04	2.62	8.96	2.63	8.87	2.65	8.72	2.67	8.59	2.70			
					7	10.35	2.63	10.13	2.67	9.93	2.71	9.86	2.72	9.75	2.74	9.59	2.77	9.44	2.79			
					10	11.25	2.72	11.02	2.76	10.81	2.80	10.71	2.82	10.62	2.83	10.45	2.86	10.30	2.89			
					15	12.37	2.83	12.13	2.87	11.91	2.91	11.81	2.93	11.72	2.95	11.54	2.98	11.38	3.01			
2000	3500	6800	12300	123%	-15	5.75	2.21	5.57	2.24	5.41	2.27	5.33	2.29	5.27	2.30	5.15	2.32	5.05	2.34			
					-10	6.88	2.33	6.69	2.36	6.52	2.39	6.45	2.41	6.37	2.42	6.24	2.44	6.13	2.46			
					-5	8.02	2.44	7.82	2.48	7.64	2.51	7.56	2.52	7.48	2.54	7.34	2.56	7.22	2.59			
					0	9.16	2.55	8.95	2.59	8.76	2.63	8.67	2.64	8.59	2.66	8.44	2.69	8.31	2.71			
					2	9.62	2.60	9.41	2.64	9.21	2.67	9.12	2.69	9.03	2.71	8.88	2.73	8.74	2.76			
					7	10.54	2.69	10.31	2.73	10.11	2.77	10.04	2.78	9.92	2.80	9.76	2.83	9.62	2.86			
					10	11.45	2.78	11.22	2.82	11.01	2.86	10.91	2.88	10.81	2.89	10.64	2.93	10.49	2.95			
					15	12.60	2.89	12.35	2.93	12.13	2.97	12.03	2.99	11.93	3.01	11.75	3.04	11.58	3.07			
2000	5000	5000	12000	120%	-15	5.76	2.21	5.58	2.24	5.42	2.27	5.35	2.29	5.28	2.30	5.16	2.32	5.06	2.34			
					-10	6.90	2.33	6.71	2.36	6.54	2.39	6.46	2.41	6.39	2.42	6.26	2.44	6.15	2.46			
					-5	8.04	2.44	7.84	2.48	7.66	2.51	7.57	2.52	7.50	2.54	7.35	2.56	7.23	2.59			
					0	9.18	2.55	8.97	2.59	8.78	2.63	8.69	2.64	8.61	2.66	8.46	2.69	8.33	2.71			
					2	9.64	2.60	9.42	2.64	9.23	2.67	9.14	2.69	9.05	2.71	8.90	2.73	8.76	2.76			
					7	10.56	2.69	10.33	2.73	10.13	2.77	10.06	2.78	9.94	2.80	9.78	2.83	9.64	2.86			
					10	11.47	2.78	11.24	2.82	11.03	2.86	10.93	2.88	10.84	2.89	10.66	2.93	10.51	2.95			
					15	12.62	2.89	12.38	2.93	12.16	2.97	12.05	2.99	11.95	3.01	11.77	3.04	11.61	3.07			
2000	5000	6800	13800	138%	-15	6.19	2.29	5.99	2.32	5.82	2.35	5.74	2.37	5.67	2.38	5.54	2.40	5.44	2.42			
					-10	7.41	2.41	7.21	2.45	7.02	2.48	6.94	2.49	6.86	2.51	6.72	2.53	6.60	2.55			
					-5	8.64	2.53	8.42	2.57	8.23	2.60	8.14	2.62	8.05	2.63	7.90	2.66	7.77	2.68			
					0	9.87	2.65	9.64	2.69	9.43	2.72	9.34	2.74	9.25	2.75	9.09	2.78	8.95	2.81			
					2	10.36	2.69	10.13	2.73	9.92	2.77	9.82	2.79	9.73	2.80	9.56	2.83	9.42	2.86			
					7	11.34	2.79	11.10	2.83	10.88	2.87	10.81	2.88	10.68	2.90	10.51	2.93	10.35	2.96			
					10	12.33	2.88	12.08	2.92	11.85	2.96	11.74	2.98	11.64	3.00	11.46	3.03	11.30	3.06			
					15	13.56	3.00	13.30	3.04	13.06	3.08	12.95	3.10	12.84	3.12	12.65	3.15	12.47	3.18			
2000	6800	6800	15600	156%	-15	6.30	2.35	6.10	2.38	5.92	2.41	5.85	2.43	5.77	2.44	5.64	2.46	5.53	2.48			
					-10	7.54	2.47	7.33	2.50	7.15	2.54	7.06	2.55	6.98	2.57	6.84	2.59	6.72	2.61			
					-5	8.79	2.59	8.57	2.63	8.37	2.66	8.28	2.68	8.20	2.69	8.04	2.72	7.91	2.75			
					0	10.04	2.71	9.81	2.75	9.60	2.79	9.50	2.80	9.41	2.82	9.25	2.85	9.10	2.88			
					2	10.54	2.76	10.30	2.80	10.09	2.84	9.99	2.85	9.90	2.87	9.73	2.90	9.58	2.93			
					7	11.54	2.85	11.30	2.90	11.07	2.94	11.00	2.95	10.87	2.97	10.69	3.00	10.54	3.03			
					10	12.55	2.95	12.29	2.99	12.06	3.03	11.95	3.05	11.85	3.07	11.66	3.10	11.49	3.13			
					15	13.80	3.07	13.54	3.11	13.29	3.16	13.18	3.18	13.07	3.19	12.87	3.23	12.69	3.26			
2500	2500	2500	7500	75%	-15	5.51	2.11	5.34	2.14	5.19	2.17	5.12	2.18	5.05	2.19	4.94	2.21	4.84	2.23			
					-10	6.60	2.22	6.42	2.25	6.26	2.28	6.18	2.29	6.11	2.31	5.99	2.33	5.88	2.35			
					-5	7.70	2.33	7.50	2.36	7.33	2.39	7.25	2.41	7.18	2.42	7.04	2.44	6.93	2.47			
					0	8.79	2.44	8.59	2.47	8.40	2.50	8.32	2.52	8.24	2.53	8.09	2.56	7.97	2.58			
					2	9.23	2.48	9.02	2.52	8.83	2.55	8.75	2.56	8.67	2.58	8.52	2.61	8.39	2.63			
					7	10.11	2.56	9.89	2.60	9.69	2.64	9.63	2.65	9.52	2.67	9.36	2.70	9.22	2.72			
					10	10.98	2.65	10.76	2.69	10.56	2.73	10.46	2.74	10.37	2.76	10.21	2.79	10.06	2.81			
					15	12.08	2.76	11.85	2.80	11.64	2.84	11.54	2.85	11.44	2.87	11.27	2.90	11.11	2.93			

# 12. Capacity Table

## 12-7. AJ100MCJ5EH/EU

### HEATING

Combination (Capacity Index)				Combination (Total)	Combination (%)	Outdoor Temperature (°C, DB)	Indoor Temperature (°C, DB)													
							14		16		18		20		21		22		24	
							TC(kW)	PI(kW)	TC(kW)	PI(kW)	TC(kW)	PI(kW)	TC(kW)	PI(kW)	TC(kW)	PI(kW)	TC(kW)	PI(kW)	TC(kW)	PI(kW)
2500	2500	3500		8500	85%	-15	5.55	2.04	5.38	2.07	5.22	2.09	5.15	2.10	5.09	2.12	4.97	2.14	4.88	2.15
						-10	6.65	2.14	6.47	2.17	6.30	2.20	6.23	2.22	6.16	2.23	6.03	2.25	5.93	2.27
						-5	7.75	2.25	7.56	2.28	7.38	2.31	7.30	2.32	7.23	2.34	7.09	2.36	6.98	2.38
						0	8.85	2.35	8.65	2.39	8.46	2.42	8.38	2.43	8.30	2.45	8.15	2.47	8.03	2.50
						2	9.30	2.39	9.09	2.43	8.90	2.46	8.81	2.48	8.73	2.49	8.58	2.52	8.45	2.54
						7	10.18	2.48	9.96	2.51	9.76	2.55	9.70	2.56	9.59	2.58	9.43	2.61	9.29	2.63
						10	11.06	2.56	10.84	2.60	10.63	2.63	10.54	2.65	10.45	2.67	10.28	2.69	10.14	2.72
2500	2500	5000		10000	100%	-15	5.66	2.19	5.48	2.23	5.33	2.26	5.26	2.27	5.19	2.28	5.07	2.30	4.97	2.32
						-10	6.78	2.31	6.59	2.34	6.43	2.37	6.35	2.39	6.28	2.40	6.15	2.43	6.04	2.45
						-5	7.90	2.42	7.71	2.46	7.53	2.49	7.45	2.51	7.37	2.52	7.23	2.55	7.11	2.57
						0	9.03	2.54	8.82	2.57	8.63	2.61	8.54	2.62	8.46	2.64	8.31	2.67	8.18	2.69
						2	9.48	2.58	9.26	2.62	9.07	2.65	8.98	2.67	8.90	2.69	8.75	2.71	8.61	2.74
						7	10.38	2.67	10.16	2.71	9.96	2.75	9.89	2.76	9.78	2.78	9.61	2.81	9.47	2.84
						10	11.28	2.76	11.05	2.80	10.84	2.84	10.74	2.86	10.65	2.87	10.48	2.90	10.33	2.93
2500	2500	6800		11800	118%	-15	6.10	2.24	5.91	2.28	5.74	2.30	5.66	2.32	5.59	2.33	5.46	2.35	5.36	2.37
						-10	7.30	2.36	7.10	2.39	6.92	2.43	6.84	2.44	6.76	2.45	6.62	2.48	6.51	2.50
						-5	8.51	2.48	8.30	2.51	8.11	2.55	8.02	2.56	7.93	2.58	7.79	2.60	7.66	2.62
						0	9.72	2.59	9.50	2.63	9.29	2.66	9.20	2.68	9.11	2.70	8.95	2.72	8.81	2.75
						2	10.21	2.64	9.98	2.68	9.77	2.71	9.67	2.73	9.58	2.74	9.42	2.77	9.28	2.80
						7	11.18	2.73	10.94	2.77	10.72	2.81	10.65	2.82	10.53	2.84	10.35	2.87	10.20	2.90
						10	12.15	2.82	11.90	2.86	11.68	2.90	11.57	2.92	11.47	2.94	11.29	2.97	11.13	3.00
2500	3500	3500		9500	95%	-15	5.59	2.11	5.42	2.15	5.26	2.17	5.19	2.19	5.13	2.20	5.01	2.22	4.91	2.24
						-10	6.70	2.23	6.51	2.26	6.35	2.29	6.27	2.30	6.20	2.31	6.08	2.34	5.97	2.36
						-5	7.81	2.34	7.61	2.37	7.44	2.40	7.36	2.42	7.28	2.43	7.14	2.45	7.03	2.48
						0	8.92	2.44	8.71	2.48	8.53	2.51	8.44	2.53	8.36	2.54	8.21	2.57	8.09	2.59
						2	9.36	2.49	9.15	2.52	8.96	2.56	8.87	2.57	8.79	2.59	8.64	2.62	8.51	2.64
						7	10.25	2.57	10.03	2.61	9.84	2.65	9.77	2.66	9.66	2.68	9.50	2.71	9.36	2.73
						10	11.14	2.66	10.92	2.70	10.71	2.74	10.61	2.75	10.52	2.77	10.36	2.80	10.21	2.83
2500	3500	5000		11000	110%	-15	5.71	2.16	5.53	2.19	5.37	2.22	5.30	2.24	5.23	2.25	5.11	2.27	5.01	2.29
						-10	6.84	2.28	6.65	2.31	6.48	2.34	6.40	2.35	6.33	2.37	6.20	2.39	6.09	2.41
						-5	7.97	2.39	7.77	2.42	7.59	2.46	7.51	2.47	7.43	2.48	7.29	2.51	7.17	2.53
						0	9.10	2.50	8.89	2.54	8.70	2.57	8.61	2.59	8.53	2.60	8.38	2.63	8.25	2.65
						2	9.55	2.54	9.34	2.58	9.15	2.62	9.06	2.63	8.97	2.65	8.82	2.67	8.68	2.70
						7	10.46	2.63	10.24	2.67	10.04	2.71	9.97	2.72	9.85	2.74	9.69	2.77	9.55	2.79
						10	11.37	2.72	11.14	2.76	10.93	2.80	10.83	2.82	10.74	2.83	10.57	2.86	10.42	2.89
2500	3500	6800		12800	128%	-15	6.14	2.25	5.94	2.28	5.77	2.31	5.70	2.33	5.62	2.34	5.50	2.36	5.39	2.38
						-10	7.35	2.37	7.15	2.40	6.97	2.43	6.88	2.45	6.80	2.46	6.67	2.49	6.55	2.51
						-5	8.57	2.48	8.35	2.52	8.16	2.55	8.07	2.57	7.99	2.58	7.84	2.61	7.71	2.63
						0	9.79	2.60	9.56	2.64	9.35	2.67	9.26	2.69	9.17	2.71	9.01	2.73	8.87	2.76
						2	10.27	2.65	10.04	2.69	9.83	2.72	9.74	2.74	9.65	2.75	9.48	2.78	9.34	2.81
						7	11.25	2.74	11.01	2.78	10.79	2.82	10.72	2.83	10.60	2.85	10.42	2.88	10.27	2.91
						10	12.23	2.83	11.98	2.87	11.75	2.91	11.65	2.93	11.55	2.95	11.36	2.98	11.20	3.01
15	13.45	2.94	13.19	2.99	12.95	3.03	12.84	3.05	12.74	3.07	12.54	3.10	12.37	3.13						

# 12. Capacity Table

## 12-7. AJ100MCJ5EH/EU

### HEATING

Combination (Capacity Index)				Combination (Total)	Combination (%)	Outdoor Temperature (°C, DB)	Indoor Temperature (°C, DB)													
							14		16		18		20		21		22		24	
							TC(kW)	PI(kW)	TC(kW)	PI(kW)	TC(kW)	PI(kW)	TC(kW)	PI(kW)	TC(kW)	PI(kW)	TC(kW)	PI(kW)	TC(kW)	PI(kW)
2500	5000	5000	12500	125%	-15	6.15	2.24	5.96	2.28	5.78	2.30	5.71	2.32	5.63	2.33	5.51	2.35	5.40	2.37	
					-10	7.36	2.36	7.16	2.39	6.98	2.43	6.90	2.44	6.82	2.45	6.68	2.48	6.56	2.50	
					-5	8.58	2.48	8.37	2.51	8.17	2.55	8.09	2.56	8.00	2.58	7.85	2.60	7.72	2.62	
					0	9.80	2.59	9.58	2.63	9.37	2.66	9.28	2.68	9.19	2.70	9.03	2.72	8.89	2.75	
					2	10.29	2.64	10.06	2.68	9.85	2.71	9.76	2.73	9.66	2.74	9.50	2.77	9.35	2.80	
					7	11.27	2.73	11.03	2.77	10.81	2.81	10.74	2.82	10.62	2.84	10.44	2.87	10.29	2.90	
					10	12.25	2.82	12.00	2.86	11.77	2.90	11.67	2.92	11.57	2.94	11.38	2.97	11.22	3.00	
					15	13.48	2.93	13.22	2.98	12.98	3.02	12.87	3.04	12.76	3.05	12.57	3.09	12.39	3.12	
2500	5000	6800	14300	143%	-15	6.30	2.33	6.10	2.36	5.92	2.39	5.85	2.41	5.77	2.42	5.64	2.45	5.53	2.46	
					-10	7.54	2.45	7.33	2.49	7.15	2.52	7.06	2.54	6.98	2.55	6.84	2.57	6.72	2.60	
					-5	8.79	2.57	8.57	2.61	8.37	2.65	8.28	2.66	8.20	2.68	8.04	2.70	7.91	2.73	
					0	10.04	2.69	9.81	2.73	9.60	2.77	9.50	2.79	9.41	2.80	9.25	2.83	9.10	2.86	
					2	10.54	2.74	10.30	2.78	10.09	2.82	9.99	2.84	9.90	2.85	9.73	2.88	9.58	2.91	
					7	11.54	2.84	11.30	2.88	11.07	2.92	11.00	2.93	10.87	2.95	10.69	2.98	10.54	3.01	
					10	12.55	2.93	12.29	2.97	12.06	3.01	11.95	3.03	11.85	3.05	11.66	3.08	11.49	3.11	
					15	13.80	3.05	13.54	3.09	13.29	3.13	13.18	3.15	13.07	3.17	12.87	3.21	12.69	3.24	
2500	6800	6800	16100	161%	-15	6.30	2.38	6.10	2.41	5.92	2.44	5.85	2.46	5.77	2.47	5.64	2.50	5.53	2.52	
					-10	7.54	2.50	7.33	2.54	7.15	2.57	7.06	2.59	6.98	2.60	6.84	2.63	6.72	2.65	
					-5	8.79	2.62	8.57	2.66	8.37	2.70	8.28	2.72	8.20	2.73	8.04	2.76	7.91	2.78	
					0	10.04	2.75	9.81	2.79	9.60	2.83	9.50	2.84	9.41	2.86	9.25	2.89	9.10	2.91	
					2	10.54	2.80	10.30	2.84	10.09	2.88	9.99	2.89	9.90	2.91	9.73	2.94	9.58	2.97	
					7	11.54	2.89	11.30	2.94	11.07	2.98	11.00	2.99	10.87	3.01	10.69	3.04	10.54	3.07	
					10	12.55	2.99	12.29	3.03	12.06	3.08	11.95	3.09	11.85	3.11	11.66	3.15	11.49	3.18	
					15	13.80	3.11	13.54	3.16	13.29	3.20	13.18	3.22	13.07	3.24	12.87	3.27	12.69	3.31	
3500	3500	3500	10500	105%	-15	5.63	2.15	5.46	2.19	5.30	2.21	5.23	2.23	5.16	2.24	5.05	2.26	4.95	2.28	
					-10	6.75	2.27	6.56	2.30	6.39	2.33	6.32	2.34	6.25	2.36	6.12	2.38	6.01	2.40	
					-5	7.86	2.38	7.67	2.41	7.49	2.45	7.41	2.46	7.33	2.48	7.19	2.50	7.08	2.52	
					0	8.98	2.49	8.77	2.53	8.59	2.56	8.50	2.58	8.42	2.59	8.27	2.62	8.14	2.64	
					2	9.43	2.53	9.22	2.57	9.03	2.61	8.94	2.62	8.85	2.64	8.70	2.67	8.57	2.69	
					7	10.33	2.62	10.11	2.66	9.91	2.70	9.84	2.71	9.73	2.73	9.57	2.76	9.43	2.78	
					10	11.22	2.71	11.00	2.75	10.79	2.79	10.69	2.80	10.60	2.82	10.43	2.85	10.28	2.88	
					15	12.35	2.82	12.11	2.86	11.89	2.90	11.79	2.92	11.69	2.94	11.51	2.97	11.35	3.00	
3500	3500	5000	12000	120%	-15	5.75	2.20	5.57	2.23	5.41	2.26	5.33	2.28	5.27	2.29	5.15	2.31	5.05	2.33	
					-10	6.88	2.32	6.69	2.35	6.52	2.38	6.45	2.40	6.37	2.41	6.24	2.43	6.13	2.45	
					-5	8.02	2.43	7.82	2.47	7.64	2.50	7.56	2.52	7.48	2.53	7.34	2.56	7.22	2.58	
					0	9.16	2.55	8.95	2.58	8.76	2.62	8.67	2.63	8.59	2.65	8.44	2.68	8.31	2.70	
					2	9.62	2.59	9.41	2.63	9.21	2.66	9.12	2.68	9.03	2.70	8.88	2.72	8.74	2.75	
					7	10.54	2.68	10.31	2.72	10.11	2.76	10.04	2.77	9.92	2.79	9.76	2.82	9.62	2.85	
					10	11.45	2.77	11.22	2.81	11.01	2.85	10.91	2.87	10.81	2.88	10.64	2.91	10.49	2.94	
					15	12.60	2.88	12.35	2.92	12.13	2.96	12.03	2.98	11.93	3.00	11.75	3.03	11.58	3.06	
3500	3500	6800	13800	138%	-15	6.18	2.28	5.98	2.32	5.81	2.35	5.73	2.36	5.66	2.37	5.53	2.40	5.43	2.41	
					-10	7.40	2.40	7.19	2.44	7.01	2.47	6.93	2.48	6.85	2.50	6.71	2.52	6.59	2.54	
					-5	8.62	2.52	8.41	2.56	8.21	2.59	8.12	2.61	8.04	2.62	7.89	2.65	7.76	2.67	
					0	9.85	2.64	9.62	2.68	9.42	2.71	9.32	2.73	9.23	2.74	9.07	2.77	8.93	2.80	
					2	10.34	2.68	10.11	2.72	9.90	2.76	9.80	2.78	9.71	2.79	9.54	2.82	9.40	2.85	
					7	11.32	2.78	11.08	2.82	10.86	2.86	10.79	2.87	10.66	2.89	10.49	2.92	10.34	2.95	
					10	12.31	2.87	12.06	2.91	11.83	2.95	11.72	2.97	11.62	2.99	11.44	3.02	11.27	3.05	
					15	13.54	2.98	13.28	3.03	13.04	3.07	12.93	3.09	12.82	3.11	12.62	3.14	12.45	3.17	

# 12. Capacity Table

## 12-7. AJ100MCJ5EH/EU

### HEATING

Combination (Capacity Index)				Combination (Total)	Combination (%)	Outdoor Temperature (°C, DB)	Indoor Temperature (°C, DB)															
							14		16		18		20		21		22		24			
							TC(kW)	PI(kW)	TC(kW)	PI(kW)	TC(kW)	PI(kW)	TC(kW)	PI(kW)	TC(kW)	PI(kW)	TC(kW)	PI(kW)	TC(kW)	PI(kW)		
3500	5000	5000		13500	135%	-15	6.18	2.28	5.99	2.32	5.82	2.35	5.74	2.36	5.67	2.37	5.54	2.40	5.43	2.41		
						-10	7.41	2.40	7.20	2.44	7.02	2.47	6.93	2.48	6.86	2.50	6.72	2.52	6.60	2.54		
						-5	8.63	2.52	8.41	2.56	8.22	2.59	8.13	2.61	8.05	2.62	7.90	2.65	7.77	2.67		
						0	9.86	2.64	9.63	2.68	9.42	2.71	9.33	2.73	9.24	2.74	9.08	2.77	8.94	2.80		
						2	10.35	2.68	10.12	2.72	9.91	2.76	9.81	2.78	9.72	2.79	9.55	2.82	9.41	2.85		
						7	11.33	2.78	11.09	2.82	10.87	2.86	10.80	2.87	10.67	2.89	10.50	2.92	10.35	2.95		
						10	12.32	2.87	12.07	2.91	11.84	2.95	11.73	2.97	11.63	2.99	11.45	3.02	11.29	3.05		
3500	5000	6800		15300	153%	-15	6.30	2.33	6.10	2.36	5.92	2.39	5.85	2.41	5.77	2.42	5.64	2.45	5.53	2.46		
						-10	7.54	2.45	7.33	2.49	7.15	2.52	7.06	2.54	6.98	2.55	6.84	2.57	6.72	2.60		
						-5	8.79	2.57	8.57	2.61	8.37	2.65	8.28	2.66	8.20	2.68	8.04	2.70	7.91	2.73		
						0	10.04	2.69	9.81	2.73	9.60	2.77	9.50	2.79	9.41	2.80	9.25	2.83	9.10	2.86		
						2	10.54	2.74	10.30	2.78	10.09	2.82	9.99	2.84	9.90	2.85	9.73	2.88	9.58	2.91		
						7	11.54	2.84	11.30	2.88	11.07	2.92	11.00	2.93	10.87	2.95	10.69	2.98	10.54	3.01		
						10	12.55	2.93	12.29	2.97	12.06	3.01	11.95	3.03	11.85	3.05	11.66	3.08	11.49	3.11		
3500	6800	6800		17100	171%	-15	6.30	2.42	6.10	2.45	5.92	2.48	5.85	2.50	5.77	2.51	5.64	2.54	5.53	2.56		
						-10	7.54	2.54	7.33	2.58	7.15	2.61	7.06	2.63	6.98	2.65	6.84	2.67	6.72	2.69		
						-5	8.79	2.67	8.57	2.71	8.37	2.74	8.28	2.76	8.20	2.78	8.04	2.80	7.91	2.83		
						0	10.04	2.79	9.81	2.84	9.60	2.87	9.50	2.89	9.41	2.91	9.25	2.94	9.10	2.96		
						2	10.54	2.84	10.30	2.89	10.09	2.92	9.99	2.94	9.90	2.96	9.73	2.99	9.58	3.02		
						7	11.54	2.94	11.30	2.99	11.07	3.03	11.00	3.04	10.87	3.06	10.69	3.09	10.54	3.12		
						10	12.55	3.04	12.29	3.09	12.06	3.13	11.95	3.15	11.85	3.16	11.66	3.20	11.49	3.23		
5000	5000	5000		15000	150%	-15	6.30	2.33	6.10	2.36	5.92	2.39	5.85	2.41	5.77	2.42	5.64	2.45	5.53	2.46		
						-10	7.54	2.45	7.33	2.49	7.15	2.52	7.06	2.54	6.98	2.55	6.84	2.57	6.72	2.60		
						-5	8.79	2.57	8.57	2.61	8.37	2.65	8.28	2.66	8.20	2.68	8.04	2.70	7.91	2.73		
						0	10.04	2.69	9.81	2.73	9.60	2.77	9.50	2.79	9.41	2.80	9.25	2.83	9.10	2.86		
						2	10.54	2.74	10.30	2.78	10.09	2.82	9.99	2.84	9.90	2.85	9.73	2.88	9.58	2.91		
						7	11.54	2.84	11.30	2.88	11.07	2.92	11.00	2.93	10.87	2.95	10.69	2.98	10.54	3.01		
						10	12.55	2.93	12.29	2.97	12.06	3.01	11.95	3.03	11.85	3.05	11.66	3.08	11.49	3.11		
5000	5000	6800		16800	168%	-15	6.30	2.42	6.10	2.45	5.92	2.48	5.77	2.51	5.70	2.53	5.64	2.54	5.53	2.56		
						-10	7.54	2.54	7.33	2.58	7.15	2.61	6.98	2.65	6.91	2.66	6.84	2.67	6.72	2.69		
						-5	8.79	2.67	8.57	2.71	8.37	2.74	8.20	2.78	8.12	2.79	8.04	2.80	7.91	2.83		
						0	10.04	2.79	9.81	2.84	9.60	2.87	9.41	2.91	9.33	2.92	9.25	2.94	9.10	2.96		
						2	10.54	2.84	10.30	2.89	10.09	2.92	9.90	2.96	9.81	2.97	9.73	2.99	9.58	3.02		
						7	11.79	2.97	11.55	3.01	11.32	3.05	11.00	3.04	11.02	3.10	10.93	3.12	10.78	3.15		
						10	12.55	3.04	12.29	3.09	12.06	3.13	11.85	3.16	11.75	3.18	11.66	3.20	11.49	3.23		
2000	2000	2000	2000	8000	80%	-15	5.04	1.78	4.88	1.81	4.74	1.83	4.68	1.84	4.62	1.85	4.51	1.87	4.43	1.88		
						-10	6.03	1.87	5.87	1.90	5.72	1.93	5.65	1.94	5.59	1.95	5.47	1.97	5.38	1.98		
						-5	7.03	1.97	6.86	2.00	6.70	2.02	6.62	2.03	6.56	2.05	6.43	2.07	6.33	2.08		
						0	8.03	2.06	7.85	2.09	7.68	2.12	7.60	2.13	7.53	2.14	7.40	2.16	7.28	2.18		
						2	8.43	2.09	8.24	2.13	8.07	2.15	7.99	2.17	7.92	2.18	7.78	2.20	7.66	2.22		
						7	9.23	2.17	9.04	2.20	8.86	2.23	8.80	2.24	8.70	2.26	8.55	2.28	8.43	2.30		
						10	10.04	2.24	9.83	2.27	9.65	2.30	9.56	2.32	9.48	2.33	9.33	2.36	9.20	2.38		
						15	11.04	2.33	10.83	2.36	10.63	2.40	10.54	2.41	10.46	2.43	10.30	2.45	10.15	2.48		

# 12. Capacity Table

## 12-7. AJ100MCJ5EH/EU

### HEATING

Combination (Capacity Index)				Combination (Total)	Combination (%)	Outdoor Temperature (°C, DB)	Indoor Temperature (°C, DB)													
							14		16		18		20		21		22		24	
							TC(kW)	PI(kW)	TC(kW)	PI(kW)	TC(kW)	PI(kW)	TC(kW)	PI(kW)	TC(kW)	PI(kW)	TC(kW)	PI(kW)	TC(kW)	PI(kW)
2000	2000	2000	2500	8500	85%	-15	5.51	2.03	5.34	2.06	5.19	2.08	5.12	2.10	5.05	2.11	4.94	2.13	4.84	2.15
						-10	6.60	2.13	6.42	2.17	6.26	2.19	6.18	2.21	6.11	2.22	5.99	2.24	5.88	2.26
						-5	7.70	2.24	7.50	2.27	7.33	2.30	7.25	2.32	7.18	2.33	7.04	2.35	6.93	2.37
						0	8.79	2.34	8.59	2.38	8.40	2.41	8.32	2.42	8.24	2.44	8.09	2.46	7.97	2.49
						2	9.23	2.38	9.02	2.42	8.83	2.45	8.75	2.47	8.67	2.48	8.52	2.51	8.39	2.53
						7	10.11	2.47	9.89	2.50	9.69	2.54	9.63	2.55	9.52	2.57	9.36	2.60	9.22	2.62
						10	10.98	2.55	10.76	2.59	10.56	2.62	10.46	2.64	10.37	2.65	10.21	2.68	10.06	2.71
						15	12.08	2.65	11.85	2.69	11.64	2.73	11.54	2.75	11.44	2.76	11.27	2.79	11.11	2.82
2000	2000	2000	3500	9500	95%	-15	5.55	2.17	5.37	2.20	5.22	2.23	5.15	2.24	5.08	2.26	4.97	2.28	4.87	2.30
						-10	6.64	2.28	6.46	2.32	6.30	2.35	6.22	2.36	6.15	2.38	6.03	2.40	5.92	2.42
						-5	7.74	2.40	7.55	2.43	7.37	2.46	7.29	2.48	7.22	2.49	7.08	2.52	6.97	2.54
						0	8.85	2.51	8.64	2.55	8.46	2.58	8.37	2.60	8.29	2.61	8.14	2.64	8.02	2.66
						2	9.29	2.55	9.08	2.59	8.89	2.63	8.80	2.64	8.72	2.66	8.57	2.68	8.44	2.71
						7	10.17	2.64	9.95	2.68	9.75	2.72	9.69	2.73	9.58	2.75	9.42	2.78	9.28	2.80
						10	11.05	2.73	10.83	2.77	10.62	2.81	10.53	2.83	10.44	2.84	10.27	2.87	10.13	2.90
						15	12.16	2.84	11.92	2.88	11.71	2.92	11.61	2.94	11.51	2.96	11.34	2.99	11.18	3.02
2000	2000	2000	5000	11000	110%	-15	5.67	2.18	5.49	2.21	5.33	2.24	5.26	2.25	5.19	2.26	5.08	2.29	4.98	2.31
						-10	6.79	2.29	6.60	2.33	6.43	2.36	6.36	2.37	6.28	2.38	6.16	2.41	6.05	2.43
						-5	7.91	2.41	7.71	2.44	7.53	2.47	7.45	2.49	7.38	2.50	7.24	2.53	7.12	2.55
						0	9.04	2.52	8.83	2.56	8.64	2.59	8.55	2.61	8.47	2.62	8.32	2.65	8.19	2.67
						2	9.49	2.56	9.27	2.60	9.08	2.64	8.99	2.65	8.91	2.67	8.76	2.69	8.62	2.72
						7	10.39	2.65	10.17	2.69	9.97	2.73	9.90	2.74	9.79	2.76	9.62	2.79	9.48	2.82
						10	11.29	2.74	11.06	2.78	10.85	2.82	10.76	2.84	10.66	2.85	10.49	2.88	10.34	2.91
						15	12.42	2.85	12.18	2.89	11.96	2.93	11.86	2.95	11.76	2.97	11.58	3.00	11.42	3.03
2000	2000	2000	6800	12800	128%	-15	6.10	2.23	5.91	2.27	5.74	2.30	5.66	2.31	5.59	2.32	5.47	2.35	5.36	2.36
						-10	7.31	2.35	7.11	2.39	6.93	2.42	6.84	2.43	6.77	2.44	6.63	2.47	6.51	2.49
						-5	8.52	2.47	8.31	2.50	8.11	2.54	8.03	2.55	7.94	2.57	7.79	2.59	7.67	2.61
						0	9.73	2.58	9.51	2.62	9.30	2.66	9.21	2.67	9.12	2.69	8.96	2.71	8.82	2.74
						2	10.22	2.63	9.99	2.67	9.78	2.70	9.68	2.72	9.59	2.73	9.43	2.76	9.28	2.79
						7	11.19	2.72	10.95	2.76	10.73	2.80	10.66	2.81	10.54	2.83	10.36	2.86	10.21	2.89
						10	12.16	2.81	11.91	2.85	11.69	2.89	11.58	2.91	11.48	2.93	11.30	2.96	11.14	2.98
						15	13.38	2.92	13.12	2.97	12.88	3.01	12.77	3.03	12.67	3.04	12.47	3.08	12.30	3.11
2000	2000	2500	2500	9000	90%	-15	5.58	2.06	5.40	2.09	5.25	2.12	5.18	2.13	5.11	2.14	4.99	2.16	4.90	2.18
						-10	6.68	2.17	6.49	2.20	6.33	2.23	6.25	2.24	6.18	2.25	6.06	2.28	5.95	2.29
						-5	7.78	2.27	7.59	2.31	7.41	2.34	7.33	2.35	7.26	2.37	7.12	2.39	7.00	2.41
						0	8.89	2.38	8.69	2.42	8.50	2.45	8.41	2.46	8.33	2.48	8.19	2.50	8.06	2.52
						2	9.33	2.42	9.12	2.46	8.93	2.49	8.85	2.51	8.76	2.52	8.61	2.55	8.48	2.57
						7	10.22	2.51	10.00	2.54	9.81	2.58	9.74	2.59	9.63	2.61	9.47	2.64	9.33	2.66
						10	11.11	2.59	10.88	2.63	10.68	2.66	10.58	2.68	10.49	2.70	10.32	2.73	10.18	2.75
						15	12.22	2.69	11.99	2.73	11.77	2.77	11.67	2.79	11.57	2.81	11.40	2.84	11.24	2.86
2000	2000	2500	3500	10000	100%	-15	5.60	2.13	5.43	2.16	5.27	2.19	5.20	2.20	5.14	2.22	5.02	2.24	4.92	2.25
						-10	6.71	2.24	6.53	2.28	6.36	2.31	6.29	2.32	6.21	2.33	6.09	2.35	5.98	2.37
						-5	7.82	2.35	7.63	2.39	7.45	2.42	7.37	2.43	7.29	2.45	7.16	2.47	7.04	2.49
						0	8.94	2.46	8.73	2.50	8.54	2.53	8.46	2.55	8.38	2.56	8.23	2.59	8.10	2.61
						2	9.38	2.51	9.17	2.54	8.98	2.58	8.89	2.59	8.81	2.61	8.66	2.64	8.53	2.66
						7	10.27	2.59	10.05	2.63	9.86	2.67	9.79	2.68	9.68	2.70	9.52	2.73	9.38	2.75
						10	11.17	2.68	10.94	2.72	10.73	2.76	10.64	2.77	10.54	2.79	10.38	2.82	10.23	2.85
						15	12.28	2.79	12.05	2.83	11.83	2.87	11.73	2.89	11.63	2.90	11.45	2.93	11.30	2.96

# 12. Capacity Table

## 12-7. AJ100MCJ5EH/EU

### HEATING

Combination (Capacity Index)				Combination (Total)	Combination (%)	Outdoor Temperature (°C, DB)	Indoor Temperature (°C, DB)													
							14		16		18		20		21		22		24	
							TC(kW)	PI(kW)	TC(kW)	PI(kW)	TC(kW)	PI(kW)	TC(kW)	PI(kW)	TC(kW)	PI(kW)	TC(kW)	PI(kW)	TC(kW)	PI(kW)
2000	2000	2500	5000	11500	115%	-15	5.73	2.18	5.55	2.21	5.39	2.24	5.32	2.25	5.25	2.26	5.13	2.29	5.03	2.31
						-10	6.86	2.29	6.67	2.33	6.50	2.36	6.43	2.37	6.35	2.38	6.22	2.41	6.12	2.43
						-5	8.00	2.41	7.80	2.44	7.62	2.47	7.54	2.49	7.46	2.50	7.32	2.53	7.20	2.55
						0	9.14	2.52	8.93	2.56	8.73	2.59	8.65	2.61	8.56	2.62	8.41	2.65	8.28	2.67
						2	9.59	2.56	9.38	2.60	9.18	2.64	9.09	2.65	9.01	2.67	8.85	2.69	8.72	2.72
						7	10.50	2.65	10.28	2.69	10.08	2.73	10.01	2.74	9.89	2.76	9.73	2.79	9.59	2.82
						10	11.42	2.74	11.19	2.78	10.97	2.82	10.88	2.84	10.78	2.85	10.61	2.88	10.46	2.91
2000	2000	2500	6800	13300	133%	-15	6.16	2.27	5.97	2.30	5.80	2.33	5.72	2.34	5.65	2.36	5.52	2.38	5.41	2.40
						-10	7.38	2.38	7.17	2.42	6.99	2.45	6.91	2.47	6.83	2.48	6.69	2.50	6.57	2.53
						-5	8.60	2.50	8.38	2.54	8.19	2.57	8.10	2.59	8.02	2.60	7.87	2.63	7.74	2.65
						0	9.82	2.62	9.59	2.66	9.39	2.69	9.29	2.71	9.21	2.73	9.04	2.75	8.90	2.78
						2	10.31	2.67	10.08	2.71	9.87	2.74	9.77	2.76	9.68	2.77	9.52	2.80	9.37	2.83
						7	11.29	2.76	11.05	2.80	10.83	2.84	10.76	2.85	10.64	2.87	10.46	2.90	10.31	2.93
						10	12.27	2.85	12.02	2.89	11.80	2.93	11.69	2.95	11.59	2.97	11.41	3.00	11.24	3.03
2000	2000	3500	3500	11000	110%	-15	5.66	2.17	5.48	2.20	5.32	2.23	5.25	2.24	5.18	2.26	5.07	2.28	4.97	2.30
						-10	6.78	2.28	6.59	2.32	6.42	2.35	6.34	2.36	6.27	2.38	6.14	2.40	6.04	2.42
						-5	7.90	2.40	7.70	2.43	7.52	2.46	7.44	2.48	7.36	2.49	7.22	2.52	7.11	2.54
						0	9.02	2.51	8.81	2.55	8.62	2.58	8.53	2.60	8.45	2.61	8.30	2.64	8.18	2.66
						2	9.47	2.55	9.26	2.59	9.06	2.63	8.97	2.64	8.89	2.66	8.74	2.68	8.61	2.71
						7	10.37	2.64	10.15	2.68	9.95	2.72	9.88	2.73	9.77	2.75	9.60	2.78	9.46	2.80
						10	11.27	2.73	11.04	2.77	10.83	2.81	10.73	2.83	10.64	2.84	10.47	2.87	10.32	2.90
2000	2000	3500	5000	12500	125%	-15	6.10	2.22	5.91	2.25	5.74	2.28	5.66	2.29	5.59	2.31	5.47	2.33	5.36	2.35
						-10	7.31	2.33	7.11	2.37	6.93	2.40	6.84	2.41	6.77	2.43	6.63	2.45	6.51	2.47
						-5	8.52	2.45	8.31	2.49	8.11	2.52	8.03	2.53	7.94	2.55	7.79	2.57	7.67	2.60
						0	9.73	2.56	9.51	2.60	9.30	2.64	9.21	2.65	9.12	2.67	8.96	2.70	8.82	2.72
						2	10.22	2.61	9.99	2.65	9.78	2.68	9.68	2.70	9.59	2.72	9.43	2.74	9.28	2.77
						7	11.19	2.70	10.95	2.74	10.73	2.78	10.66	2.79	10.54	2.81	10.36	2.84	10.21	2.87
						10	12.16	2.79	11.91	2.83	11.69	2.87	11.58	2.89	11.48	2.90	11.30	2.94	11.14	2.96
2000	2000	3500	6800	14300	143%	-15	6.19	2.31	6.00	2.34	5.83	2.37	5.75	2.38	5.68	2.40	5.55	2.42	5.44	2.44
						-10	7.42	2.43	7.21	2.46	7.03	2.49	6.95	2.51	6.87	2.52	6.73	2.55	6.61	2.57
						-5	8.65	2.55	8.43	2.58	8.23	2.62	8.15	2.63	8.06	2.65	7.91	2.68	7.78	2.70
						0	9.88	2.66	9.65	2.70	9.44	2.74	9.35	2.76	9.26	2.77	9.09	2.80	8.95	2.83
						2	10.37	2.71	10.14	2.75	9.92	2.79	9.83	2.81	9.74	2.82	9.57	2.85	9.42	2.88
						7	11.35	2.81	11.11	2.85	10.89	2.89	10.82	2.90	10.69	2.92	10.52	2.95	10.36	2.98
						10	12.34	2.90	12.09	2.94	11.86	2.98	11.76	3.00	11.65	3.02	11.47	3.05	11.31	3.08
2000	2000	5000	5000	14000	140%	-15	6.22	2.30	6.02	2.33	5.85	2.36	5.77	2.38	5.70	2.39	5.57	2.41	5.46	2.43
						-10	7.45	2.42	7.24	2.45	7.06	2.49	6.97	2.50	6.89	2.51	6.75	2.54	6.63	2.56
						-5	8.68	2.54	8.46	2.57	8.27	2.61	8.18	2.62	8.09	2.64	7.94	2.67	7.81	2.69
						0	9.91	2.66	9.68	2.70	9.48	2.73	9.38	2.75	9.29	2.76	9.13	2.79	8.99	2.82
						2	10.41	2.70	10.17	2.74	9.96	2.78	9.86	2.80	9.77	2.81	9.60	2.84	9.46	2.87
						7	11.40	2.80	11.15	2.84	10.93	2.88	10.86	2.89	10.73	2.91	10.56	2.94	10.40	2.97
						10	12.39	2.89	12.14	2.93	11.91	2.97	11.80	2.99	11.70	3.01	11.51	3.04	11.35	3.07
15	13.63	3.01	13.36	3.05	13.12	3.09	13.01	3.11	12.90	3.13	12.71	3.16	12.53	3.19						

# 12. Capacity Table

## 12-7. AJ100MCJ5EH/EU

### HEATING

Combination (Capacity Index)				Combination (Total)	Combination (%)	Outdoor Temperature (°C, DB)	Indoor Temperature (°C, DB)													
							14		16		18		20		21		22		24	
							TC(kW)	PI(kW)	TC(kW)	PI(kW)	TC(kW)	PI(kW)	TC(kW)	PI(kW)	TC(kW)	PI(kW)	TC(kW)	PI(kW)	TC(kW)	PI(kW)
2000	2000	5000	6800	15800	158%	-15	6.30	2.35	6.10	2.39	5.92	2.42	5.85	2.43	5.77	2.45	5.64	2.47	5.53	2.49
						-10	7.54	2.48	7.33	2.51	7.15	2.55	7.06	2.56	6.98	2.58	6.84	2.60	6.72	2.62
						-5	8.79	2.60	8.57	2.64	8.37	2.67	8.28	2.69	8.20	2.70	8.04	2.73	7.91	2.75
						0	10.04	2.72	9.81	2.76	9.60	2.80	9.50	2.81	9.41	2.83	9.25	2.86	9.10	2.89
						2	10.54	2.77	10.30	2.81	10.09	2.85	9.99	2.86	9.90	2.88	9.73	2.91	9.58	2.94
						7	11.54	2.86	11.30	2.91	11.07	2.95	<b>11.00</b>	<b>2.96</b>	10.87	2.98	10.69	3.01	10.54	3.04
						10	12.55	2.96	12.29	3.00	12.06	3.04	11.95	3.06	11.85	3.08	11.66	3.11	11.49	3.14
						15	13.80	3.08	13.54	3.12	13.29	3.17	13.18	3.19	13.07	3.21	12.87	3.24	12.69	3.27
2000	2500	2500	2500	9500	95%	-15	5.64	2.16	5.47	2.19	5.31	2.22	5.24	2.24	5.17	2.25	5.06	2.27	4.96	2.29
						-10	6.76	2.28	6.57	2.31	6.41	2.34	6.33	2.35	6.26	2.37	6.13	2.39	6.02	2.41
						-5	7.88	2.39	7.68	2.42	7.50	2.46	7.42	2.47	7.35	2.48	7.21	2.51	7.09	2.53
						0	9.00	2.50	8.79	2.54	8.60	2.57	8.52	2.59	8.44	2.60	8.29	2.63	8.16	2.65
						2	9.45	2.54	9.24	2.58	9.04	2.62	8.96	2.63	8.87	2.65	8.72	2.67	8.59	2.70
						7	10.35	2.63	10.13	2.67	9.93	2.71	<b>9.86</b>	<b>2.72</b>	9.75	2.74	9.59	2.77	9.44	2.79
						10	11.25	2.72	11.02	2.76	10.81	2.80	10.71	2.82	10.62	2.83	10.45	2.86	10.30	2.89
						15	12.37	2.83	12.13	2.87	11.91	2.91	11.81	2.93	11.72	2.95	11.54	2.98	11.38	3.01
2000	2500	2500	3500	10500	105%	-15	5.68	2.20	5.51	2.23	5.35	2.26	5.28	2.28	5.21	2.29	5.09	2.31	4.99	2.33
						-10	6.81	2.32	6.62	2.35	6.45	2.38	6.38	2.40	6.30	2.41	6.17	2.43	6.07	2.45
						-5	7.94	2.43	7.74	2.47	7.56	2.50	7.48	2.52	7.40	2.53	7.26	2.56	7.14	2.58
						0	9.06	2.55	8.85	2.58	8.67	2.62	8.58	2.63	8.50	2.65	8.35	2.68	8.22	2.70
						2	9.52	2.59	9.30	2.63	9.11	2.66	9.02	2.68	8.94	2.70	8.78	2.72	8.65	2.75
						7	10.42	2.68	10.20	2.72	10.00	2.76	<b>9.93</b>	<b>2.77</b>	9.81	2.79	9.65	2.82	9.51	2.85
						10	11.33	2.77	11.10	2.81	10.89	2.85	10.79	2.87	10.70	2.88	10.53	2.91	10.38	2.94
						15	12.46	2.88	12.22	2.92	12.00	2.96	11.90	2.98	11.80	3.00	11.62	3.03	11.46	3.06
2000	2500	2500	5000	12000	120%	-15	6.11	2.25	5.92	2.28	5.75	2.31	5.67	2.33	5.60	2.34	5.48	2.36	5.37	2.38
						-10	7.32	2.37	7.12	2.40	6.94	2.43	6.86	2.45	6.78	2.46	6.64	2.49	6.52	2.51
						-5	8.54	2.48	8.32	2.52	8.13	2.55	8.04	2.57	7.96	2.58	7.81	2.61	7.68	2.63
						0	9.75	2.60	9.52	2.64	9.32	2.67	9.23	2.69	9.14	2.71	8.98	2.73	8.84	2.76
						2	10.23	2.65	10.00	2.69	9.80	2.72	9.70	2.74	9.61	2.75	9.45	2.78	9.30	2.81
						7	11.21	2.74	10.97	2.78	10.75	2.82	<b>10.68</b>	<b>2.83</b>	10.56	2.85	10.38	2.88	10.23	2.91
						10	12.18	2.83	11.93	2.87	11.71	2.91	11.60	2.93	11.50	2.95	11.32	2.98	11.16	3.01
						15	13.40	2.94	13.14	2.99	12.91	3.03	12.79	3.05	12.69	3.07	12.50	3.10	12.32	3.13
2000	2500	2500	6800	13800	138%	-15	6.22	2.34	6.02	2.37	5.85	2.40	5.77	2.42	5.70	2.43	5.57	2.45	5.46	2.47
						-10	7.45	2.46	7.24	2.50	7.06	2.53	6.97	2.54	6.89	2.56	6.75	2.58	6.63	2.61
						-5	8.68	2.58	8.46	2.62	8.27	2.65	8.18	2.67	8.09	2.69	7.94	2.71	7.81	2.74
						0	9.91	2.70	9.68	2.74	9.48	2.78	9.38	2.80	9.29	2.81	9.13	2.84	8.99	2.87
						2	10.41	2.75	10.17	2.79	9.96	2.83	9.86	2.85	9.77	2.86	9.60	2.89	9.46	2.92
						7	11.40	2.84	11.15	2.89	10.93	2.93	<b>10.86</b>	<b>2.94</b>	10.73	2.96	10.56	2.99	10.40	3.02
						10	12.39	2.94	12.14	2.98	11.91	3.02	11.80	3.04	11.70	3.06	11.51	3.09	11.35	3.12
						15	13.63	3.06	13.36	3.10	13.12	3.15	13.01	3.17	12.90	3.18	12.71	3.22	12.53	3.25
2000	2500	3500	3500	11500	115%	-15	5.72	2.17	5.54	2.20	5.38	2.23	5.31	2.24	5.24	2.26	5.12	2.28	5.02	2.30
						-10	6.85	2.28	6.66	2.32	6.49	2.35	6.41	2.36	6.34	2.38	6.21	2.40	6.10	2.42
						-5	7.98	2.40	7.78	2.43	7.60	2.46	7.52	2.48	7.44	2.49	7.30	2.52	7.18	2.54
						0	9.12	2.51	8.91	2.55	8.72	2.58	8.63	2.60	8.55	2.61	8.40	2.64	8.27	2.66
						2	9.57	2.55	9.36	2.59	9.16	2.63	9.07	2.64	8.99	2.66	8.83	2.68	8.70	2.71
						7	10.48	2.64	10.26	2.68	10.06	2.72	<b>9.99</b>	<b>2.73</b>	9.87	2.75	9.71	2.78	9.57	2.80
						10	11.39	2.73	11.16	2.77	10.95	2.81	10.85	2.83	10.76	2.84	10.59	2.87	10.44	2.90
						15	12.54	2.84	12.29	2.88	12.07	2.92	11.97	2.94	11.87	2.96	11.69	2.99	11.53	3.02



# 12. Capacity Table

## 12-7. AJ100MCJ5EH/EU

### HEATING

Combination (Capacity Index)				Combination (Total)	Combination (%)	Outdoor Temperature (°C, DB)	Indoor Temperature (°C, DB)													
							14		16		18		20		21		22		24	
				TC(kW)	PI(kW)	TC(kW)	PI(kW)	TC(kW)	PI(kW)	TC(kW)	PI(kW)	TC(kW)	PI(kW)	TC(kW)	PI(kW)	TC(kW)	PI(kW)			
2000	2500	3500	5000	13000	130%	-15	6.17	2.26	5.97	2.29	5.80	2.32	5.72	2.33	5.65	2.35	5.52	2.37	5.42	2.39
						-10	7.39	2.38	7.18	2.41	7.00	2.44	6.91	2.46	6.84	2.47	6.70	2.50	6.58	2.52
						-5	8.61	2.49	8.39	2.53	8.20	2.56	8.11	2.58	8.02	2.59	7.87	2.62	7.75	2.64
						0	9.83	2.61	9.60	2.65	9.40	2.68	9.30	2.70	9.21	2.72	9.05	2.74	8.91	2.77
						2	10.32	2.66	10.09	2.70	9.88	2.73	9.78	2.75	9.69	2.76	9.52	2.79	9.38	2.82
						7	11.30	2.75	11.06	2.79	10.84	2.83	10.77	2.84	10.65	2.86	10.47	2.89	10.32	2.92
						10	12.28	2.84	12.03	2.88	11.81	2.92	11.70	2.94	11.60	2.96	11.42	2.99	11.25	3.02
2000	2500	3500	6800	14800	148%	-15	6.30	2.34	6.10	2.37	5.92	2.40	5.85	2.42	5.77	2.43	5.64	2.45	5.53	2.47
						-10	7.54	2.46	7.33	2.50	7.15	2.53	7.06	2.54	6.98	2.56	6.84	2.58	6.72	2.61
						-5	8.79	2.58	8.57	2.62	8.37	2.65	8.28	2.67	8.20	2.69	8.04	2.71	7.91	2.74
						0	10.04	2.70	9.81	2.74	9.60	2.78	9.50	2.80	9.41	2.81	9.25	2.84	9.10	2.87
						2	10.54	2.75	10.30	2.79	10.09	2.83	9.99	2.85	9.90	2.86	9.73	2.89	9.58	2.92
						7	11.54	2.84	11.30	2.89	11.07	2.93	11.00	2.94	10.87	2.96	10.69	2.99	10.54	3.02
						10	12.55	2.94	12.29	2.98	12.06	3.02	11.95	3.04	11.85	3.06	11.66	3.09	11.49	3.12
2000	2500	5000	5000	14500	145%	-15	6.30	2.34	6.10	2.37	5.92	2.40	5.85	2.42	5.77	2.43	5.64	2.45	5.53	2.47
						-10	7.54	2.46	7.33	2.50	7.15	2.53	7.06	2.54	6.98	2.56	6.84	2.58	6.72	2.61
						-5	8.79	2.58	8.57	2.62	8.37	2.65	8.28	2.67	8.20	2.69	8.04	2.71	7.91	2.74
						0	10.04	2.70	9.81	2.74	9.60	2.78	9.50	2.80	9.41	2.81	9.25	2.84	9.10	2.87
						2	10.54	2.75	10.30	2.79	10.09	2.83	9.99	2.85	9.90	2.86	9.73	2.89	9.58	2.92
						7	11.54	2.84	11.30	2.89	11.07	2.93	11.00	2.94	10.87	2.96	10.69	2.99	10.54	3.02
						10	12.55	2.94	12.29	2.98	12.06	3.02	11.95	3.04	11.85	3.06	11.66	3.09	11.49	3.12
2000	2500	5000	6800	16300	163%	-15	6.30	2.39	6.10	2.42	5.92	2.45	5.85	2.47	5.77	2.48	5.64	2.50	5.53	2.52
						-10	7.54	2.51	7.33	2.55	7.15	2.58	7.06	2.60	6.98	2.61	6.84	2.64	6.72	2.66
						-5	8.79	2.63	8.57	2.67	8.37	2.71	8.28	2.72	8.20	2.74	8.04	2.77	7.91	2.79
						0	10.04	2.76	9.81	2.80	9.60	2.84	9.50	2.85	9.41	2.87	9.25	2.90	9.10	2.92
						2	10.54	2.81	10.30	2.85	10.09	2.89	9.99	2.90	9.90	2.92	9.73	2.95	9.58	2.98
						7	11.54	2.90	11.30	2.95	11.07	2.99	11.00	3.00	10.87	3.02	10.69	3.05	10.54	3.08
						10	12.55	3.00	12.29	3.04	12.06	3.09	11.95	3.10	11.85	3.12	11.66	3.16	11.49	3.19
2000	3500	3500	3500	12500	125%	-15	5.75	2.21	5.57	2.24	5.41	2.27	5.34	2.29	5.27	2.30	5.15	2.32	5.05	2.34
						-10	6.89	2.33	6.70	2.36	6.53	2.39	6.45	2.41	6.38	2.42	6.25	2.44	6.14	2.46
						-5	8.03	2.44	7.83	2.48	7.65	2.51	7.57	2.52	7.49	2.54	7.35	2.56	7.23	2.59
						0	9.17	2.55	8.96	2.59	8.77	2.63	8.68	2.64	8.60	2.66	8.45	2.69	8.32	2.71
						2	9.63	2.60	9.41	2.64	9.22	2.67	9.13	2.69	9.04	2.71	8.89	2.73	8.75	2.76
						7	10.55	2.69	10.32	2.73	10.12	2.77	10.05	2.78	9.93	2.80	9.77	2.83	9.63	2.86
						10	11.46	2.78	11.23	2.82	11.02	2.86	10.92	2.88	10.82	2.89	10.65	2.93	10.50	2.95
2000	3500	3500	5000	14000	140%	-15	6.19	2.29	6.00	2.32	5.83	2.35	5.75	2.37	5.68	2.38	5.55	2.40	5.44	2.42
						-10	7.42	2.41	7.21	2.45	7.03	2.48	6.95	2.49	6.87	2.51	6.73	2.53	6.61	2.55
						-5	8.65	2.53	8.43	2.57	8.23	2.60	8.15	2.62	8.06	2.63	7.91	2.66	7.78	2.68
						0	9.88	2.65	9.65	2.69	9.44	2.72	9.35	2.74	9.26	2.75	9.09	2.78	8.95	2.81
						2	10.37	2.69	10.14	2.73	9.92	2.77	9.83	2.79	9.74	2.80	9.57	2.83	9.42	2.86
						7	11.35	2.79	11.11	2.83	10.89	2.87	10.82	2.88	10.69	2.90	10.52	2.93	10.36	2.96
						10	12.34	2.88	12.09	2.92	11.86	2.96	11.76	2.98	11.65	3.00	11.47	3.03	11.31	3.06
2000	3500	5000	5000	14000	140%	15	13.58	3.00	13.31	3.04	13.07	3.08	12.96	3.10	12.86	3.12	12.66	3.15	12.48	3.18

# 12. Capacity Table

## 12-7. AJ100MCJ5EH/EU

### HEATING

Combination (Capacity Index)				Combination (Total)	Combination (%)	Outdoor Temperature (°C, DB)	Indoor Temperature (°C, DB)													
							14		16		18		20		21		22		24	
							TC(kW)	PI(kW)	TC(kW)	PI(kW)	TC(kW)	PI(kW)	TC(kW)	PI(kW)	TC(kW)	PI(kW)	TC(kW)	PI(kW)	TC(kW)	PI(kW)
2000	3500	3500	6800	15800	158%	-15	6.30	2.35	6.10	2.38	5.92	2.41	5.85	2.43	5.77	2.44	5.64	2.46	5.53	2.48
						-10	7.54	2.47	7.33	2.50	7.15	2.54	7.06	2.55	6.98	2.57	6.84	2.59	6.72	2.61
						-5	8.79	2.59	8.57	2.63	8.37	2.66	8.28	2.68	8.20	2.69	8.04	2.72	7.91	2.75
						0	10.04	2.71	9.81	2.75	9.60	2.79	9.50	2.80	9.41	2.82	9.25	2.85	9.10	2.88
						2	10.54	2.76	10.30	2.80	10.09	2.84	9.99	2.85	9.90	2.87	9.73	2.90	9.58	2.93
						7	11.54	2.85	11.30	2.90	11.07	2.94	11.00	2.95	10.87	2.97	10.69	3.00	10.54	3.03
						10	12.55	2.95	12.29	2.99	12.06	3.03	11.95	3.05	11.85	3.07	11.66	3.10	11.49	3.13
						15	13.80	3.07	13.54	3.11	13.29	3.16	13.18	3.18	13.07	3.19	12.87	3.23	12.69	3.26
2000	3500	5000	5000	15500	155%	-15	6.30	2.34	6.10	2.37	5.92	2.40	5.85	2.42	5.77	2.43	5.64	2.45	5.53	2.47
						-10	7.54	2.46	7.33	2.50	7.15	2.53	7.06	2.54	6.98	2.56	6.84	2.58	6.72	2.61
						-5	8.79	2.58	8.57	2.62	8.37	2.65	8.28	2.67	8.20	2.69	8.04	2.71	7.91	2.74
						0	10.04	2.70	9.81	2.74	9.60	2.78	9.50	2.80	9.41	2.81	9.25	2.84	9.10	2.87
						2	10.54	2.75	10.30	2.79	10.09	2.83	9.99	2.85	9.90	2.86	9.73	2.89	9.58	2.92
						7	11.54	2.84	11.30	2.89	11.07	2.93	11.00	2.94	10.87	2.96	10.69	2.99	10.54	3.02
						10	12.55	2.94	12.29	2.98	12.06	3.02	11.95	3.04	11.85	3.06	11.66	3.09	11.49	3.12
						15	13.80	3.06	13.54	3.10	13.29	3.15	13.18	3.17	13.07	3.18	12.87	3.22	12.69	3.25
2000	3500	5000	6800	17300	173%	-15	6.30	2.42	6.10	2.46	5.92	2.49	5.85	2.51	5.77	2.52	5.64	2.55	5.53	2.57
						-10	7.54	2.55	7.33	2.59	7.15	2.62	7.06	2.64	6.98	2.65	6.84	2.68	6.72	2.70
						-5	8.79	2.68	8.57	2.72	8.37	2.75	8.28	2.77	8.20	2.79	8.04	2.81	7.91	2.84
						0	10.04	2.80	9.81	2.84	9.60	2.88	9.50	2.90	9.41	2.92	9.25	2.95	9.10	2.97
						2	10.54	2.85	10.30	2.89	10.09	2.93	9.99	2.95	9.90	2.97	9.73	3.00	9.58	3.03
						7	11.54	2.95	11.30	3.00	11.07	3.04	11.00	3.05	10.87	3.07	10.69	3.10	10.54	3.13
						10	12.55	3.05	12.29	3.10	12.06	3.14	11.95	3.16	11.85	3.18	11.66	3.21	11.49	3.24
						15	13.80	3.17	13.54	3.22	13.29	3.26	13.18	3.28	13.07	3.30	12.87	3.34	12.69	3.37
2000	5000	5000	5000	17000	170%	-15	6.30	2.42	6.10	2.46	5.92	2.49	5.85	2.51	5.77	2.52	5.64	2.55	5.53	2.57
						-10	7.54	2.55	7.33	2.59	7.15	2.62	7.06	2.64	6.98	2.65	6.84	2.68	6.72	2.70
						-5	8.79	2.68	8.57	2.72	8.37	2.75	8.28	2.77	8.20	2.79	8.04	2.81	7.91	2.84
						0	10.04	2.80	9.81	2.84	9.60	2.88	9.50	2.90	9.41	2.92	9.25	2.95	9.10	2.97
						2	10.54	2.85	10.30	2.89	10.09	2.93	9.99	2.95	9.90	2.97	9.73	3.00	9.58	3.03
						7	11.54	2.95	11.30	3.00	11.07	3.04	11.00	3.05	10.87	3.07	10.69	3.10	10.54	3.13
						10	12.55	3.05	12.29	3.10	12.06	3.14	11.95	3.16	11.85	3.18	11.66	3.21	11.49	3.24
						15	13.80	3.17	13.54	3.22	13.29	3.26	13.18	3.28	13.07	3.30	12.87	3.34	12.69	3.37
2500	2500	2500	2500	10000	100%	-15	5.70	2.23	5.52	2.27	5.36	2.30	5.29	2.31	5.23	2.32	5.11	2.35	5.01	2.36
						-10	6.83	2.35	6.64	2.39	6.47	2.42	6.39	2.43	6.32	2.44	6.19	2.47	6.08	2.49
						-5	7.96	2.47	7.76	2.50	7.58	2.54	7.50	2.55	7.42	2.57	7.28	2.59	7.16	2.61
						0	9.09	2.58	8.88	2.62	8.69	2.66	8.60	2.67	8.52	2.69	8.37	2.71	8.24	2.74
						2	9.54	2.63	9.33	2.67	9.14	2.70	9.05	2.72	8.96	2.73	8.81	2.76	8.67	2.79
						7	10.45	2.72	10.23	2.76	10.03	2.80	9.96	2.81	9.84	2.83	9.68	2.86	9.54	2.89
						10	11.36	2.81	11.13	2.85	10.92	2.89	10.82	2.91	10.73	2.93	10.56	2.96	10.41	2.98
						15	12.50	2.92	12.26	2.97	12.04	3.01	11.93	3.03	11.83	3.04	11.65	3.08	11.49	3.11
2500	2500	2500	3500	11000	110%	-15	5.74	2.20	5.56	2.23	5.40	2.26	5.32	2.28	5.26	2.29	5.14	2.31	5.04	2.33
						-10	6.87	2.32	6.68	2.35	6.51	2.38	6.43	2.40	6.36	2.41	6.23	2.43	6.12	2.45
						-5	8.01	2.43	7.81	2.47	7.63	2.50	7.54	2.52	7.47	2.53	7.33	2.56	7.21	2.58
						0	9.15	2.55	8.93	2.58	8.74	2.62	8.66	2.63	8.57	2.65	8.42	2.68	8.29	2.70
						2	9.60	2.59	9.39	2.63	9.19	2.66	9.10	2.68	9.02	2.70	8.86	2.72	8.73	2.75
						7	10.51	2.68	10.29	2.72	10.09	2.76	10.02	2.77	9.90	2.79	9.74	2.82	9.60	2.85
						10	11.43	2.77	11.20	2.81	10.98	2.85	10.89	2.87	10.79	2.88	10.62	2.91	10.47	2.94
						15	12.57	2.88	12.33	2.92	12.11	2.96	12.00	2.98	11.91	3.00	11.72	3.03	11.56	3.06

# 12. Capacity Table

## 12-7. AJ100MCJ5EH/EU

### HEATING

Combination (Capacity Index)				Combination (Total)	Combination (%)	Outdoor Temperature (°C, DB)	Indoor Temperature (°C, DB)													
							14		16		18		20		21		22		24	
							TC(kW)	PI(kW)	TC(kW)	PI(kW)	TC(kW)	PI(kW)	TC(kW)	PI(kW)	TC(kW)	PI(kW)	TC(kW)	PI(kW)	TC(kW)	PI(kW)
2500	2500	2500	5000	12500	125%	-15	6.18	2.28	5.99	2.32	5.82	2.35	5.74	2.36	5.67	2.37	5.54	2.40	5.43	2.41
						-10	7.41	2.40	7.20	2.44	7.02	2.47	6.93	2.48	6.86	2.50	6.72	2.52	6.60	2.54
						-5	8.63	2.52	8.41	2.56	8.22	2.59	8.13	2.61	8.05	2.62	7.90	2.65	7.77	2.67
						0	9.86	2.64	9.63	2.68	9.42	2.71	9.33	2.73	9.24	2.74	9.08	2.77	8.94	2.80
						2	10.35	2.68	10.12	2.72	9.91	2.76	9.81	2.78	9.72	2.79	9.55	2.82	9.41	2.85
						7	11.33	2.78	11.09	2.82	10.87	2.86	10.80	2.87	10.67	2.89	10.50	2.92	10.35	2.95
						10	12.32	2.87	12.07	2.91	11.84	2.95	11.73	2.97	11.63	2.99	11.45	3.02	11.29	3.05
						15	13.55	2.98	13.29	3.03	13.05	3.07	12.94	3.09	12.83	3.11	12.64	3.14	12.46	3.17
2500	2500	2500	6800	14300	143%	-15	6.30	2.34	6.10	2.37	5.92	2.40	5.85	2.42	5.77	2.43	5.64	2.45	5.53	2.47
						-10	7.54	2.46	7.33	2.50	7.15	2.53	7.06	2.54	6.98	2.56	6.84	2.58	6.72	2.61
						-5	8.79	2.58	8.57	2.62	8.37	2.65	8.28	2.67	8.20	2.69	8.04	2.71	7.91	2.74
						0	10.04	2.70	9.81	2.74	9.60	2.78	9.50	2.80	9.41	2.81	9.25	2.84	9.10	2.87
						2	10.54	2.75	10.30	2.79	10.09	2.83	9.99	2.85	9.90	2.86	9.73	2.89	9.58	2.92
						7	11.54	2.84	11.30	2.89	11.07	2.93	11.00	2.94	10.87	2.96	10.69	2.99	10.54	3.02
						10	12.55	2.94	12.29	2.98	12.06	3.02	11.95	3.04	11.85	3.06	11.66	3.09	11.49	3.12
						15	13.80	3.06	13.54	3.10	13.29	3.15	13.18	3.17	13.07	3.18	12.87	3.22	12.69	3.25
2500	2500	3500	3500	12000	120%	-15	6.10	2.24	5.91	2.28	5.74	2.30	5.66	2.32	5.59	2.33	5.47	2.35	5.36	2.37
						-10	7.31	2.36	7.11	2.39	6.93	2.43	6.84	2.44	6.77	2.45	6.63	2.48	6.51	2.50
						-5	8.52	2.48	8.31	2.51	8.11	2.55	8.03	2.56	7.94	2.58	7.79	2.60	7.67	2.62
						0	9.73	2.59	9.51	2.63	9.30	2.66	9.21	2.68	9.12	2.70	8.96	2.72	8.82	2.75
						2	10.22	2.64	9.99	2.68	9.78	2.71	9.68	2.73	9.59	2.74	9.43	2.77	9.28	2.80
						7	11.19	2.73	10.95	2.77	10.73	2.81	10.66	2.82	10.54	2.84	10.36	2.87	10.21	2.90
						10	12.16	2.82	11.91	2.86	11.69	2.90	11.58	2.92	11.48	2.94	11.30	2.97	11.14	3.00
						15	13.38	2.93	13.12	2.98	12.88	3.02	12.77	3.04	12.67	3.05	12.47	3.09	12.30	3.12
2500	2500	3500	5000	13500	135%	-15	6.22	2.32	6.03	2.36	5.85	2.39	5.78	2.40	5.70	2.41	5.57	2.44	5.47	2.46
						-10	7.45	2.44	7.25	2.48	7.06	2.51	6.98	2.53	6.90	2.54	6.76	2.57	6.64	2.59
						-5	8.69	2.56	8.47	2.60	8.27	2.64	8.18	2.65	8.10	2.67	7.95	2.69	7.82	2.72
						0	9.92	2.68	9.69	2.72	9.49	2.76	9.39	2.78	9.30	2.79	9.14	2.82	9.00	2.85
						2	10.42	2.73	10.18	2.77	9.97	2.81	9.87	2.83	9.78	2.84	9.61	2.87	9.47	2.90
						7	11.41	2.83	11.16	2.87	10.94	2.91	10.87	2.92	10.74	2.94	10.57	2.97	10.41	3.00
						10	12.40	2.92	12.15	2.96	11.92	3.00	11.81	3.02	11.71	3.04	11.52	3.07	11.36	3.10
						15	13.64	3.04	13.38	3.08	13.13	3.12	13.02	3.14	12.92	3.16	12.72	3.20	12.54	3.23
2500	2500	3500	6800	15300	153%	-15	6.30	2.38	6.10	2.41	5.92	2.44	5.85	2.46	5.77	2.47	5.64	2.50	5.53	2.52
						-10	7.54	2.50	7.33	2.54	7.15	2.57	7.06	2.59	6.98	2.60	6.84	2.63	6.72	2.65
						-5	8.79	2.62	8.57	2.66	8.37	2.70	8.28	2.72	8.20	2.73	8.04	2.76	7.91	2.78
						0	10.04	2.75	9.81	2.79	9.60	2.83	9.50	2.84	9.41	2.86	9.25	2.89	9.10	2.91
						2	10.54	2.80	10.30	2.84	10.09	2.88	9.99	2.89	9.90	2.91	9.73	2.94	9.58	2.97
						7	11.54	2.89	11.30	2.94	11.07	2.98	11.00	2.99	10.87	3.01	10.69	3.04	10.54	3.07
						10	12.55	2.99	12.29	3.03	12.06	3.08	11.95	3.09	11.85	3.11	11.66	3.15	11.49	3.18
						15	13.80	3.11	13.54	3.16	13.29	3.20	13.18	3.22	13.07	3.24	12.87	3.27	12.69	3.31
2500	2500	5000	5000	15000	150%	-15	6.30	2.37	6.10	2.40	5.92	2.44	5.85	2.45	5.77	2.46	5.64	2.49	5.53	2.51
						-10	7.54	2.49	7.33	2.53	7.15	2.56	7.06	2.58	6.98	2.59	6.84	2.62	6.72	2.64
						-5	8.79	2.62	8.57	2.66	8.37	2.69	8.28	2.71	8.20	2.72	8.04	2.75	7.91	2.77
						0	10.04	2.74	9.81	2.78	9.60	2.82	9.50	2.83	9.41	2.85	9.25	2.88	9.10	2.90
						2	10.54	2.79	10.30	2.83	10.09	2.87	9.99	2.88	9.90	2.90	9.73	2.93	9.58	2.96
						7	11.54	2.88	11.30	2.93	11.07	2.97	11.00	2.98	10.87	3.00	10.69	3.03	10.54	3.06
						10	12.55	2.98	12.29	3.02	12.06	3.07	11.95	3.08	11.85	3.10	11.66	3.14	11.49	3.17
						15	13.80	3.10	13.54	3.15	13.29	3.19	13.18	3.21	13.07	3.23	12.87	3.26	12.69	3.29

# 12. Capacity Table

## 12-7. AJ100MCJ5EH/EU

### HEATING

Combination (Capacity Index)				Combination (Total)	Combination (%)	Outdoor Temperature (°C, DB)	Indoor Temperature (°C, DB)													
							14		16		18		20		21		22		24	
							TC(kW)	PI(kW)	TC(kW)	PI(kW)	TC(kW)	PI(kW)	TC(kW)	PI(kW)	TC(kW)	PI(kW)	TC(kW)	PI(kW)	TC(kW)	PI(kW)
2500	2500	5000	6800	16800	168%	-15	6.30	2.46	6.10	2.49	5.92	2.53	5.85	2.54	5.77	2.55	5.64	2.58	5.53	2.60
						-10	7.54	2.59	7.33	2.62	7.15	2.66	7.06	2.67	6.98	2.69	6.84	2.72	6.72	2.74
						-5	8.79	2.71	8.57	2.75	8.37	2.79	8.28	2.81	8.20	2.82	8.04	2.85	7.91	2.88
						0	10.04	2.84	9.81	2.88	9.60	2.92	9.50	2.94	9.41	2.95	9.25	2.99	9.10	3.01
						2	10.54	2.89	10.30	2.93	10.09	2.97	9.99	2.99	9.90	3.01	9.73	3.04	9.58	3.07
						7	11.54	2.99	11.30	3.03	11.07	3.08	11.00	3.09	10.87	3.11	10.69	3.15	10.54	3.17
						10	12.55	3.09	12.29	3.14	12.06	3.18	11.95	3.20	11.85	3.22	11.66	3.25	11.49	3.28
2500	3500	3500	3500	13000	130%	-15	6.15	2.25	5.96	2.28	5.79	2.31	5.71	2.33	5.64	2.34	5.51	2.36	5.41	2.38
						-10	7.37	2.37	7.17	2.40	6.98	2.43	6.90	2.45	6.82	2.46	6.68	2.49	6.57	2.51
						-5	8.59	2.48	8.38	2.52	8.18	2.55	8.09	2.57	8.01	2.58	7.86	2.61	7.73	2.63
						0	9.81	2.60	9.59	2.64	9.38	2.67	9.29	2.69	9.20	2.71	9.04	2.73	8.90	2.76
						2	10.30	2.65	10.07	2.69	9.86	2.72	9.76	2.74	9.67	2.75	9.51	2.78	9.36	2.81
						7	11.28	2.74	11.04	2.78	10.82	2.82	10.75	2.83	10.63	2.85	10.45	2.88	10.30	2.91
						10	12.26	2.83	12.01	2.87	11.78	2.91	11.68	2.93	11.58	2.95	11.39	2.98	11.23	3.01
2500	3500	3500	5000	14500	145%	-15	6.30	2.33	6.10	2.36	5.92	2.39	5.85	2.41	5.77	2.42	5.64	2.45	5.53	2.46
						-10	7.54	2.45	7.33	2.49	7.15	2.52	7.06	2.54	6.98	2.55	6.84	2.57	6.72	2.60
						-5	8.79	2.57	8.57	2.61	8.37	2.65	8.28	2.66	8.20	2.68	8.04	2.70	7.91	2.73
						0	10.04	2.69	9.81	2.73	9.60	2.77	9.50	2.79	9.41	2.80	9.25	2.83	9.10	2.86
						2	10.54	2.74	10.30	2.78	10.09	2.82	9.99	2.84	9.90	2.85	9.73	2.88	9.58	2.91
						7	11.54	2.84	11.30	2.88	11.07	2.92	11.00	2.93	10.87	2.95	10.69	2.98	10.54	3.01
						10	12.55	2.93	12.29	2.97	12.06	3.01	11.95	3.03	11.85	3.05	11.66	3.08	11.49	3.11
2500	3500	3500	6800	16300	163%	-15	6.30	2.38	6.10	2.41	5.92	2.44	5.85	2.46	5.77	2.47	5.64	2.50	5.53	2.52
						-10	7.54	2.50	7.33	2.54	7.15	2.57	7.06	2.59	6.98	2.60	6.84	2.63	6.72	2.65
						-5	8.79	2.62	8.57	2.66	8.37	2.70	8.28	2.72	8.20	2.73	8.04	2.76	7.91	2.78
						0	10.04	2.75	9.81	2.79	9.60	2.83	9.50	2.84	9.41	2.86	9.25	2.89	9.10	2.91
						2	10.54	2.80	10.30	2.84	10.09	2.88	9.99	2.89	9.90	2.91	9.73	2.94	9.58	2.97
						7	11.54	2.89	11.30	2.94	11.07	2.98	11.00	2.99	10.87	3.01	10.69	3.04	10.54	3.07
						10	12.55	2.99	12.29	3.03	12.06	3.08	11.95	3.09	11.85	3.11	11.66	3.15	11.49	3.18
2500	3500	5000	5000	16000	160%	-15	6.30	2.38	6.10	2.41	5.92	2.44	5.85	2.46	5.77	2.47	5.64	2.50	5.53	2.52
						-10	7.54	2.50	7.33	2.54	7.15	2.57	7.06	2.59	6.98	2.60	6.84	2.63	6.72	2.65
						-5	8.79	2.62	8.57	2.66	8.37	2.70	8.28	2.72	8.20	2.73	8.04	2.76	7.91	2.78
						0	10.04	2.75	9.81	2.79	9.60	2.83	9.50	2.84	9.41	2.86	9.25	2.89	9.10	2.91
						2	10.54	2.80	10.30	2.84	10.09	2.88	9.99	2.89	9.90	2.91	9.73	2.94	9.58	2.97
						7	11.54	2.89	11.30	2.94	11.07	2.98	11.00	2.99	10.87	3.01	10.69	3.04	10.54	3.07
						10	12.55	2.99	12.29	3.03	12.06	3.08	11.95	3.09	11.85	3.11	11.66	3.15	11.49	3.18
3500	3500	3500	3500	14000	140%	-15	6.18	2.28	5.99	2.32	5.82	2.35	5.74	2.36	5.67	2.37	5.54	2.40	5.43	2.41
						-10	7.41	2.40	7.20	2.44	7.02	2.47	6.93	2.48	6.86	2.50	6.72	2.52	6.60	2.54
						-5	8.63	2.52	8.41	2.56	8.22	2.59	8.13	2.61	8.05	2.62	7.90	2.65	7.77	2.67
						0	9.86	2.64	9.63	2.68	9.42	2.71	9.33	2.73	9.24	2.74	9.08	2.77	8.94	2.80
						2	10.35	2.68	10.12	2.72	9.91	2.76	9.81	2.78	9.72	2.79	9.55	2.82	9.41	2.85
						7	11.33	2.78	11.09	2.82	10.87	2.86	10.80	2.87	10.67	2.89	10.50	2.92	10.35	2.95
						10	12.32	2.87	12.07	2.91	11.84	2.95	11.73	2.97	11.63	2.99	11.45	3.02	11.29	3.05
					15	13.55	2.98	13.29	3.03	13.05	3.07	12.94	3.09	12.83	3.11	12.64	3.14	12.46	3.17	

# 12. Capacity Table

## 12-7. AJ100MCJ5EH/EU

### HEATING

Combination (Capacity Index)					Combination (Total)	Combination (%)	Outdoor Temperature (°C, DB)	Indoor Temperature (°C, DB)															
								14		16		18		20		21		22		24			
								TC(kW)	PI(kW)	TC(kW)	PI(kW)	TC(kW)	PI(kW)	TC(kW)	PI(kW)	TC(kW)	PI(kW)	TC(kW)	PI(kW)	TC(kW)	PI(kW)		
3500	3500	3500	5000	15500	155%	-15	6.30	2.33	6.10	2.36	5.92	2.39	5.85	2.41	5.77	2.42	5.64	2.45	5.53	2.46			
						-10	7.54	2.45	7.33	2.49	7.15	2.52	7.06	2.54	6.98	2.55	6.84	2.57	6.72	2.60			
						-5	8.79	2.57	8.57	2.61	8.37	2.65	8.28	2.66	8.20	2.68	8.04	2.70	7.91	2.73			
						0	10.04	2.69	9.81	2.73	9.60	2.77	9.50	2.79	9.41	2.80	9.25	2.83	9.10	2.86			
						2	10.54	2.74	10.30	2.78	10.09	2.82	999	2.84	990	2.85	9.73	2.88	9.58	2.91			
						7	11.54	2.84	11.30	2.88	11.07	2.92	11.00	2.93	10.87	2.95	10.69	2.98	10.54	3.01			
						10	12.55	2.93	12.29	2.97	12.06	3.01	11.95	3.03	11.85	3.05	11.66	3.08	11.49	3.11			
						15	13.80	3.05	13.54	3.09	13.29	3.13	13.18	3.15	13.07	3.17	12.87	3.21	12.69	3.24			
3500	3500	3500	6800	17300	173%	-15	6.30	2.42	6.10	2.45	5.92	2.48	5.85	2.50	5.77	2.51	5.64	2.54	5.53	2.56			
						-10	7.54	2.54	7.33	2.58	7.15	2.61	7.06	2.63	6.98	2.65	6.84	2.67	6.72	2.69			
						-5	8.79	2.67	8.57	2.71	8.37	2.74	8.28	2.76	8.20	2.78	8.04	2.80	7.91	2.83			
						0	10.04	2.79	9.81	2.84	9.60	2.87	9.50	2.89	9.41	2.91	9.25	2.94	9.10	2.96			
						2	10.54	2.84	10.30	2.89	10.09	2.92	999	2.94	990	2.96	9.73	2.99	9.58	3.02			
						7	11.54	2.94	11.30	2.99	11.07	3.03	11.00	3.04	10.87	3.06	10.69	3.09	10.54	3.12			
						10	12.55	3.04	12.29	3.09	12.06	3.13	11.95	3.15	11.85	3.16	11.66	3.20	11.49	3.23			
						15	13.80	3.16	13.54	3.21	13.29	3.25	13.18	3.27	13.07	3.29	12.87	3.33	12.69	3.36			
3500	3500	5000	5000	17000	170%	-15	6.30	2.42	6.10	2.45	5.92	2.48	5.85	2.50	5.77	2.51	5.64	2.54	5.53	2.56			
						-10	7.54	2.54	7.33	2.58	7.15	2.61	7.06	2.63	6.98	2.65	6.84	2.67	6.72	2.69			
						-5	8.79	2.67	8.57	2.71	8.37	2.74	8.28	2.76	8.20	2.78	8.04	2.80	7.91	2.83			
						0	10.04	2.79	9.81	2.84	9.60	2.87	9.50	2.89	9.41	2.91	9.25	2.94	9.10	2.96			
						2	10.54	2.84	10.30	2.89	10.09	2.92	999	2.94	990	2.96	9.73	2.99	9.58	3.02			
						7	11.54	2.94	11.30	2.99	11.07	3.03	11.00	3.04	10.87	3.06	10.69	3.09	10.54	3.12			
						10	12.55	3.04	12.29	3.09	12.06	3.13	11.95	3.15	11.85	3.16	11.66	3.20	11.49	3.23			
						15	13.80	3.16	13.54	3.21	13.29	3.25	13.18	3.27	13.07	3.29	12.87	3.33	12.69	3.36			
2000	2000	2000	2000	10000	100%	-15	6.30	2.36	6.10	2.40	5.92	2.43	5.85	2.44	5.77	2.45	5.64	2.48	5.53	2.50			
						-10	7.54	2.48	7.33	2.52	7.15	2.55	7.06	2.57	6.98	2.58	6.84	2.61	6.72	2.63			
						-5	8.79	2.61	8.57	2.65	8.37	2.68	8.28	2.70	8.20	2.71	8.04	2.74	7.91	2.76			
						0	10.04	2.73	9.81	2.77	9.60	2.81	9.50	2.82	9.41	2.84	9.25	2.87	9.10	2.90			
						2	10.54	2.78	10.30	2.82	10.09	2.86	999	2.87	990	2.89	9.73	2.92	9.58	2.95			
						7	11.54	2.87	11.30	2.92	11.07	2.96	11.00	2.97	10.87	2.99	10.69	3.02	10.54	3.05			
						10	12.55	2.97	12.29	3.01	12.06	3.05	11.95	3.07	11.85	3.09	11.66	3.13	11.49	3.15			
						15	13.80	3.09	13.54	3.14	13.29	3.18	13.18	3.20	13.07	3.22	12.87	3.25	12.69	3.28			
2000	2000	2000	2500	10500	105%	-15	6.55	2.33	6.34	2.36	6.16	2.39	6.08	2.41	6.00	2.42	5.87	2.45	5.75	2.46			
						-10	7.84	2.45	7.63	2.49	7.43	2.52	7.34	2.54	7.26	2.55	7.11	2.57	6.99	2.60			
						-5	9.14	2.57	8.91	2.61	8.71	2.65	8.61	2.66	8.52	2.68	8.36	2.70	8.23	2.73			
						0	10.44	2.69	10.20	2.73	9.98	2.77	9.88	2.79	9.79	2.80	9.62	2.83	9.47	2.86			
						2	10.96	2.74	10.72	2.78	10.49	2.82	10.39	2.84	10.29	2.85	10.12	2.88	9.96	2.91			
						7	12.01	2.84	11.75	2.88	11.52	2.92	11.44	2.93	11.31	2.95	11.12	2.98	10.96	3.01			
						10	13.05	2.93	12.78	2.97	12.54	3.01	12.43	3.03	12.32	3.05	12.13	3.08	11.95	3.11			
						15	14.35	3.05	14.08	3.09	13.82	3.13	13.71	3.15	13.59	3.17	13.38	3.21	13.20	3.24			
2000	2000	2000	3500	11500	115%	-15	6.63	2.37	6.42	2.40	6.24	2.44	6.15	2.45	6.08	2.46	5.94	2.49	5.82	2.51			
						-10	7.94	2.49	7.72	2.53	7.52	2.56	7.43	2.58	7.35	2.59	7.20	2.62	7.07	2.64			
						-5	9.25	2.62	9.02	2.66	8.81	2.69	8.72	2.71	8.63	2.72	8.47	2.75	8.33	2.77			
						0	10.57	2.74	10.33	2.78	10.10	2.82	10.00	2.83	9.91	2.85	9.73	2.88	9.58	2.90			
						2	11.10	2.79	10.85	2.83	10.62	2.87	10.52	2.88	10.42	2.90	10.24	2.93	10.09	2.96			
						7	12.15	2.88	11.89	2.93	11.66	2.97	11.58	2.98	11.45	3.00	11.26	3.03	11.09	3.06			
						10	13.21	2.98	12.94	3.02	12.69	3.07	12.58	3.08	12.47	3.10	12.27	3.14	12.10	3.17			
						15	14.53	3.10	14.25	3.15	13.99	3.19	13.87	3.21	13.76	3.23	13.55	3.26	13.36	3.29			

# 12. Capacity Table

## 12-7. AJ100MCJ5EH/EU

### HEATING

Combination (Capacity Index)					Combination (Total)	Combination (%)	Outdoor Temperature (°C, DB)	Indoor Temperature (°C, DB)													
								14		16		18		20		21		22		24	
								TC(kW)	PI(kW)	TC(kW)	PI(kW)	TC(kW)	PI(kW)	TC(kW)	PI(kW)	TC(kW)	PI(kW)	TC(kW)	PI(kW)	TC(kW)	PI(kW)
2000	2000	2000	2000	5000	13000	130%	-15	6.58	2.42	6.38	2.45	6.19	2.48	6.11	2.50	6.03	2.51	5.90	2.54	5.78	2.56
							-10	7.89	2.54	7.67	2.58	7.47	2.61	7.38	2.63	7.30	2.65	7.15	2.67	7.03	2.69
							-5	9.19	2.67	8.96	2.71	8.75	2.74	8.66	2.76	8.57	2.78	8.41	2.80	8.27	2.83
							0	10.50	2.79	10.25	2.84	10.04	2.87	9.93	2.89	9.84	2.91	9.67	2.94	9.52	2.96
							2	11.02	2.84	10.77	2.89	10.55	2.92	10.45	2.94	10.35	2.96	10.17	2.99	10.02	3.02
							7	12.07	2.94	11.81	2.99	11.58	3.03	11.50	3.04	11.37	3.06	11.18	3.09	11.02	3.12
							10	13.12	3.04	12.85	3.09	12.61	3.13	12.49	3.15	12.39	3.16	12.19	3.20	12.02	3.23
2000	2000	2000	2000	6800	14800	148%	-15	6.83	2.50	6.62	2.53	6.43	2.57	6.34	2.58	6.26	2.60	6.12	2.62	6.00	2.64
							-10	8.18	2.63	7.95	2.67	7.75	2.70	7.66	2.72	7.57	2.73	7.42	2.76	7.29	2.78
							-5	9.53	2.76	9.29	2.80	9.08	2.83	8.98	2.85	8.89	2.87	8.72	2.90	8.58	2.92
							0	10.89	2.89	10.64	2.93	10.41	2.97	10.31	2.99	10.21	3.00	10.03	3.03	9.87	3.06
							2	11.43	2.94	11.18	2.98	10.94	3.02	10.84	3.04	10.73	3.06	10.55	3.09	10.39	3.12
							7	12.52	3.04	12.25	3.08	12.01	3.13	11.93	3.14	11.79	3.16	11.60	3.20	11.43	3.23
							10	13.61	3.14	13.33	3.19	13.08	3.23	12.96	3.25	12.85	3.27	12.65	3.30	12.47	3.34
2000	2000	2000	2500	2500	11000	110%	-15	6.70	2.40	6.49	2.44	6.31	2.47	6.22	2.48	6.14	2.50	6.00	2.52	5.89	2.54
							-10	8.03	2.53	7.81	2.56	7.61	2.60	7.52	2.61	7.43	2.63	7.28	2.65	7.15	2.68
							-5	9.36	2.65	9.12	2.69	8.91	2.73	8.82	2.74	8.72	2.76	8.56	2.79	8.42	2.81
							0	10.69	2.78	10.44	2.82	10.22	2.85	10.12	2.87	10.02	2.89	9.84	2.92	9.69	2.94
							2	11.22	2.82	10.97	2.87	10.74	2.90	10.64	2.92	10.54	2.94	10.36	2.97	10.20	3.00
							7	12.29	2.92	12.03	2.97	11.79	3.01	11.71	3.02	11.57	3.04	11.38	3.07	11.22	3.10
							10	13.36	3.02	13.08	3.06	12.84	3.11	12.72	3.13	12.61	3.14	12.41	3.18	12.24	3.21
2000	2000	2000	2500	3500	12000	120%	-15	6.80	2.37	6.59	2.40	6.40	2.44	6.31	2.45	6.23	2.46	6.09	2.49	5.97	2.51
							-10	8.15	2.49	7.92	2.53	7.72	2.56	7.63	2.58	7.54	2.59	7.39	2.62	7.26	2.64
							-5	9.49	2.62	9.26	2.66	9.04	2.69	8.94	2.71	8.85	2.72	8.69	2.75	8.54	2.77
							0	10.84	2.74	10.59	2.78	10.37	2.82	10.26	2.83	10.16	2.85	9.99	2.88	9.83	2.90
							2	11.38	2.79	11.13	2.83	10.90	2.87	10.79	2.88	10.69	2.90	10.51	2.93	10.35	2.96
							7	12.47	2.88	12.20	2.93	11.96	2.97	11.88	2.98	11.74	3.00	11.55	3.03	11.38	3.06
							10	13.55	2.98	13.27	3.02	13.02	3.07	12.91	3.08	12.80	3.10	12.59	3.14	12.41	3.17
2000	2000	2000	2500	5000	13500	135%	-15	6.74	2.45	6.53	2.48	6.34	2.52	6.26	2.53	6.18	2.55	6.04	2.57	5.92	2.59
							-10	8.08	2.58	7.85	2.62	7.65	2.65	7.56	2.67	7.48	2.68	7.33	2.71	7.20	2.73
							-5	9.41	2.70	9.18	2.74	8.97	2.78	8.87	2.80	8.78	2.81	8.61	2.84	8.47	2.87
							0	10.75	2.83	10.50	2.87	10.28	2.91	10.18	2.93	10.08	2.95	9.90	2.98	9.75	3.00
							2	11.29	2.88	11.04	2.92	10.81	2.96	10.70	2.98	10.60	3.00	10.42	3.03	10.26	3.06
							7	12.36	2.98	12.10	3.02	11.86	3.07	11.78	3.08	11.64	3.10	11.45	3.14	11.28	3.16
							10	13.44	3.08	13.16	3.13	12.91	3.17	12.80	3.19	12.69	3.21	12.49	3.24	12.31	3.27
2000	2000	2000	2500	6800	15300	153%	-15	6.87	2.54	6.65	2.57	6.46	2.61	6.38	2.62	6.30	2.64	6.15	2.66	6.04	2.68
							-10	8.23	2.67	8.00	2.71	7.80	2.74	7.70	2.76	7.62	2.78	7.46	2.80	7.33	2.83
							-5	9.59	2.80	9.35	2.84	9.13	2.88	9.03	2.90	8.94	2.91	8.77	2.94	8.63	2.97
							0	10.95	2.93	10.70	2.97	10.47	3.01	10.37	3.03	10.27	3.05	10.09	3.08	9.93	3.11
							2	11.50	2.98	11.24	3.03	11.01	3.07	10.90	3.09	10.80	3.10	10.61	3.14	10.45	3.17
							7	12.59	3.09	12.32	3.13	12.08	3.18	12.00	3.19	11.86	3.21	11.67	3.25	11.49	3.28
							10	13.69	3.19	13.41	3.24	13.15	3.28	13.04	3.30	12.93	3.32	12.72	3.36	12.54	3.39
2000	2000	2000	2500	15300	153%	153%	15	15.06	3.32	14.77	3.37	14.50	3.41	14.38	3.43	14.26	3.45	14.04	3.49	13.85	3.53

# 12. Capacity Table

## 12-7. AJ100MCJ5EH/EU

### HEATING

Combination (Capacity Index)					Combination (Total)	Combination (%)	Outdoor Temperature (°C, DB)	Indoor Temperature (°C, DB)													
								14		16		18		20		21		22		24	
								TC(kW)	PI(kW)	TC(kW)	PI(kW)	TC(kW)	PI(kW)	TC(kW)	PI(kW)	TC(kW)	PI(kW)	TC(kW)	PI(kW)	TC(kW)	PI(kW)
2000	2000	2000	3500	3500	13000	130%	-15	6.57	2.41	6.36	2.44	6.18	2.48	6.09	2.49	6.02	2.50	5.88	2.53	5.77	2.55
							-10	7.87	2.53	7.65	2.57	7.45	2.61	7.36	2.62	7.28	2.64	7.13	2.66	7.01	2.68
							-5	9.17	2.66	8.94	2.70	8.73	2.74	8.63	2.75	8.55	2.77	8.39	2.80	8.25	2.82
							0	10.47	2.78	10.23	2.83	10.01	2.86	9.91	2.88	9.81	2.90	9.64	2.93	9.49	2.95
							2	10.99	2.83	10.74	2.88	10.52	2.91	10.42	2.93	10.32	2.95	10.14	2.98	9.99	3.01
							7	12.04	2.93	11.78	2.98	11.55	3.02	11.47	3.03	11.34	3.05	11.15	3.08	10.99	3.11
							10	13.08	3.03	12.82	3.08	12.57	3.12	12.46	3.14	12.35	3.15	12.16	3.19	11.99	3.22
2000	2000	2000	3500	5000	14500	145%	-15	6.84	2.49	6.62	2.53	6.43	2.56	6.34	2.57	6.26	2.59	6.12	2.61	6.00	2.63
							-10	8.19	2.62	7.96	2.66	7.76	2.69	7.67	2.71	7.58	2.72	7.42	2.75	7.29	2.77
							-5	9.54	2.75	9.30	2.79	9.09	2.83	8.99	2.84	8.90	2.86	8.73	2.89	8.59	2.91
							0	10.90	2.88	10.65	2.92	10.42	2.96	10.31	2.98	10.22	2.99	10.04	3.02	9.88	3.05
							2	11.44	2.93	11.19	2.97	10.95	3.01	10.84	3.03	10.74	3.05	10.56	3.08	10.40	3.11
							7	12.53	3.03	12.26	3.07	12.02	3.12	11.94	3.13	11.80	3.15	11.61	3.19	11.44	3.22
							10	13.62	3.13	13.34	3.18	13.09	3.22	12.97	3.24	12.86	3.26	12.66	3.29	12.48	3.32
2000	2000	2000	3500	6800	16300	163%	-15	6.87	2.58	6.65	2.61	6.46	2.65	6.38	2.66	6.30	2.68	6.15	2.70	6.04	2.73
							-10	8.23	2.71	8.00	2.75	7.80	2.79	7.70	2.80	7.62	2.82	7.46	2.85	7.33	2.87
							-5	9.59	2.84	9.35	2.89	9.13	2.92	9.03	2.94	8.94	2.96	8.77	2.99	8.63	3.02
							0	10.95	2.98	10.70	3.02	10.47	3.06	10.37	3.08	10.27	3.10	10.09	3.13	9.93	3.16
							2	11.50	3.03	11.24	3.08	11.01	3.12	10.90	3.14	10.80	3.15	10.61	3.19	10.45	3.22
							7	12.59	3.14	12.32	3.18	12.08	3.22	12.00	3.24	11.86	3.26	11.67	3.30	11.49	3.33
							10	13.69	3.24	13.41	3.29	13.15	3.33	13.04	3.35	12.93	3.37	12.72	3.41	12.54	3.44
2000	2000	2000	5000	5000	16000	160%	-15	6.87	2.57	6.65	2.61	6.46	2.64	6.38	2.66	6.30	2.67	6.15	2.70	6.04	2.72
							-10	8.23	2.70	8.00	2.74	7.80	2.78	7.70	2.79	7.62	2.81	7.46	2.84	7.33	2.86
							-5	9.59	2.84	9.35	2.88	9.13	2.92	9.03	2.93	8.94	2.95	8.77	2.98	8.63	3.01
							0	10.95	2.97	10.70	3.01	10.47	3.05	10.37	3.07	10.27	3.09	10.09	3.12	9.93	3.15
							2	11.50	3.02	11.24	3.07	11.01	3.11	10.90	3.13	10.80	3.14	10.61	3.18	10.45	3.21
							7	12.59	3.13	12.32	3.17	12.08	3.21	12.00	3.23	11.86	3.25	11.67	3.29	11.49	3.32
							10	13.69	3.23	13.41	3.28	13.15	3.32	13.04	3.34	12.93	3.36	12.72	3.40	12.54	3.43
2000	2000	2500	2500	2500	11500	115%	-15	6.85	2.40	6.63	2.44	6.44	2.47	6.36	2.48	6.27	2.50	6.13	2.52	6.01	2.54
							-10	8.20	2.53	7.97	2.56	7.77	2.60	7.68	2.61	7.59	2.63	7.44	2.65	7.31	2.68
							-5	9.56	2.65	9.32	2.69	9.10	2.73	9.00	2.74	8.91	2.76	8.74	2.79	8.60	2.81
							0	10.92	2.78	10.66	2.82	10.44	2.85	10.33	2.87	10.23	2.89	10.05	2.92	9.90	2.94
							2	11.46	2.82	11.20	2.87	10.97	2.90	10.86	2.92	10.76	2.94	10.58	2.97	10.42	3.00
							7	12.55	2.92	12.28	2.97	12.04	3.01	11.96	3.02	11.82	3.04	11.63	3.07	11.46	3.10
							10	13.64	3.02	13.36	3.06	13.11	3.11	12.99	3.13	12.88	3.14	12.68	3.18	12.50	3.21
2000	2000	2500	2500	3500	12500	125%	-15	6.61	2.44	6.40	2.48	6.22	2.51	6.13	2.52	6.05	2.54	5.92	2.56	5.80	2.58
							-10	7.91	2.57	7.69	2.61	7.50	2.64	7.41	2.66	7.33	2.67	7.18	2.70	7.05	2.72
							-5	9.22	2.70	8.99	2.74	8.78	2.77	8.69	2.79	8.60	2.80	8.44	2.83	8.30	2.86
							0	10.53	2.82	10.29	2.86	10.07	2.90	9.97	2.92	9.87	2.94	9.70	2.97	9.55	2.99
							2	11.06	2.87	10.81	2.91	10.59	2.95	10.48	2.97	10.38	2.99	10.21	3.02	10.05	3.05
							7	12.11	2.97	11.85	3.02	11.62	3.06	11.54	3.07	11.41	3.09	11.22	3.13	11.05	3.15
							10	13.16	3.07	12.89	3.12	12.65	3.16	12.54	3.18	12.43	3.20	12.23	3.23	12.06	3.26
15	14.48	3.19	14.20	3.24	13.94	3.28	13.82	3.31	13.71	3.32	13.50	3.36	13.32	3.39							

# 12. Capacity Table

## 12-7. AJ100MCJ5EH/EU

### HEATING

Combination (Capacity Index)					Combination (Total)	Combination (%)	Outdoor Temperature (°C, DB)	Indoor Temperature (°C, DB)													
								14		16		18		20		21		22		24	
								TC(kW)	PI(kW)	TC(kW)	PI(kW)	TC(kW)	PI(kW)	TC(kW)	PI(kW)	TC(kW)	PI(kW)	TC(kW)	PI(kW)	TC(kW)	PI(kW)
2000	2000	2500	2500	5000	14000	140%	-15	6.87	2.52	6.65	2.56	6.46	2.59	6.38	2.61	6.30	2.62	6.15	2.65	6.04	2.67
							-10	8.23	2.65	8.00	2.69	7.80	2.73	7.70	2.74	7.62	2.76	7.46	2.79	7.33	2.81
							-5	9.59	2.78	9.35	2.82	9.13	2.86	9.03	2.88	8.94	2.90	8.77	2.92	8.63	2.95
							0	10.95	2.91	10.70	2.96	10.47	3.00	10.37	3.01	10.27	3.03	10.09	3.06	9.93	3.09
							2	11.50	2.96	11.24	3.01	11.01	3.05	10.90	3.07	10.80	3.09	10.61	3.12	10.45	3.15
							7	12.59	3.07	12.32	3.11	12.08	3.16	12.00	3.17	11.86	3.19	11.67	3.23	11.49	3.26
							10	13.69	3.17	13.41	3.22	13.15	3.26	13.04	3.28	12.93	3.30	12.72	3.34	12.54	3.37
2000	2000	2500	2500	6800	15800	158%	-15	6.87	2.61	6.65	2.65	6.46	2.68	6.38	2.70	6.30	2.71	6.15	2.74	6.04	2.76
							-10	8.23	2.74	8.00	2.78	7.80	2.82	7.70	2.84	7.62	2.85	7.46	2.88	7.33	2.91
							-5	9.59	2.88	9.35	2.92	9.13	2.96	9.03	2.98	8.94	3.00	8.77	3.03	8.63	3.05
							0	10.95	3.01	10.70	3.06	10.47	3.10	10.37	3.12	10.27	3.14	10.09	3.17	9.93	3.20
							2	11.50	3.07	11.24	3.11	11.01	3.15	10.90	3.17	10.80	3.19	10.61	3.23	10.45	3.25
							7	12.59	3.17	12.32	3.22	12.08	3.26	12.00	3.28	11.86	3.30	11.67	3.34	11.49	3.37
							10	13.69	3.28	13.41	3.33	13.15	3.37	13.04	3.39	12.93	3.41	12.72	3.45	12.54	3.48
2000	2000	2500	3500	3500	13500	135%	-15	6.72	2.44	6.50	2.48	6.32	2.51	6.23	2.52	6.15	2.54	6.01	2.56	5.90	2.58
							-10	8.04	2.57	7.82	2.61	7.62	2.64	7.53	2.66	7.45	2.67	7.29	2.70	7.17	2.72
							-5	9.37	2.70	9.14	2.74	8.93	2.77	8.83	2.79	8.74	2.80	8.58	2.83	8.44	2.86
							0	10.71	2.82	10.46	2.86	10.24	2.90	10.13	2.92	10.04	2.94	9.86	2.97	9.71	2.99
							2	11.24	2.87	10.99	2.91	10.76	2.95	10.65	2.97	10.55	2.99	10.37	3.02	10.22	3.05
							7	12.31	2.97	12.05	3.02	11.81	3.06	11.73	3.07	11.59	3.09	11.40	3.13	11.24	3.15
							10	13.38	3.07	13.11	3.12	12.86	3.16	12.74	3.18	12.63	3.20	12.43	3.23	12.26	3.26
2000	2000	2500	3500	5000	15000	150%	-15	6.87	2.52	6.65	2.56	6.46	2.59	6.38	2.61	6.30	2.62	6.15	2.65	6.04	2.67
							-10	8.23	2.65	8.00	2.69	7.80	2.73	7.70	2.74	7.62	2.76	7.46	2.79	7.33	2.81
							-5	9.59	2.78	9.35	2.82	9.13	2.86	9.03	2.88	8.94	2.90	8.77	2.92	8.63	2.95
							0	10.95	2.91	10.70	2.96	10.47	3.00	10.37	3.01	10.27	3.03	10.09	3.06	9.93	3.09
							2	11.50	2.96	11.24	3.01	11.01	3.05	10.90	3.07	10.80	3.09	10.61	3.12	10.45	3.15
							7	12.59	3.07	12.32	3.11	12.08	3.16	12.00	3.17	11.86	3.19	11.67	3.23	11.49	3.26
							10	13.69	3.17	13.41	3.22	13.15	3.26	13.04	3.28	12.93	3.30	12.72	3.34	12.54	3.37
2000	2000	2500	3500	6800	16800	168%	-15	6.87	2.61	6.65	2.65	6.46	2.68	6.38	2.70	6.30	2.71	6.15	2.74	6.04	2.76
							-10	8.23	2.74	8.00	2.78	7.80	2.82	7.70	2.84	7.62	2.85	7.46	2.88	7.33	2.91
							-5	9.59	2.88	9.35	2.92	9.13	2.96	9.03	2.98	8.94	3.00	8.77	3.03	8.63	3.05
							0	10.95	3.01	10.70	3.06	10.47	3.10	10.37	3.12	10.27	3.14	10.09	3.17	9.93	3.20
							2	11.50	3.07	11.24	3.11	11.01	3.15	10.90	3.17	10.80	3.19	10.61	3.23	10.45	3.25
							7	12.59	3.17	12.32	3.22	12.08	3.26	12.00	3.28	11.86	3.30	11.67	3.34	11.49	3.37
							10	13.69	3.28	13.41	3.33	13.15	3.37	13.04	3.39	12.93	3.41	12.72	3.45	12.54	3.48
2000	2000	2500	5000	5000	16500	165%	-15	6.87	2.61	6.65	2.65	6.46	2.68	6.38	2.70	6.30	2.71	6.15	2.74	6.04	2.76
							-10	8.23	2.74	8.00	2.78	7.80	2.82	7.70	2.84	7.62	2.85	7.46	2.88	7.33	2.91
							-5	9.59	2.88	9.35	2.92	9.13	2.96	9.03	2.98	8.94	3.00	8.77	3.03	8.63	3.05
							0	10.95	3.01	10.70	3.06	10.47	3.10	10.37	3.12	10.27	3.14	10.09	3.17	9.93	3.20
							2	11.50	3.07	11.24	3.11	11.01	3.15	10.90	3.17	10.80	3.19	10.61	3.23	10.45	3.25
							7	12.59	3.17	12.32	3.22	12.08	3.26	12.00	3.28	11.86	3.30	11.67	3.34	11.49	3.37
							10	13.69	3.28	13.41	3.33	13.15	3.37	13.04	3.39	12.93	3.41	12.72	3.45	12.54	3.48



# 12. Capacity Table

## 12-7. AJ100MCJ5EH/EU

### HEATING

Combination (Capacity Index)					Combination (Total)	Combination (%)	Outdoor Temperature (°C, DB)	Indoor Temperature (°C, DB)													
								14		16		18		20		21		22		24	
								TC(kW)	PI(kW)	TC(kW)	PI(kW)	TC(kW)	PI(kW)	TC(kW)	PI(kW)	TC(kW)	PI(kW)	TC(kW)	PI(kW)	TC(kW)	PI(kW)
2000	2000	3500	3500	3500	14500	145%	-15	6.81	2.48	6.60	2.52	6.41	2.55	6.32	2.56	6.24	2.58	6.10	2.60	5.98	2.62
							-10	8.16	2.61	7.93	2.65	7.73	2.68	7.64	2.70	7.55	2.71	7.40	2.74	7.27	2.76
							-5	9.51	2.74	9.27	2.78	9.06	2.82	8.96	2.83	8.87	2.85	8.70	2.88	8.56	2.90
							0	10.86	2.87	10.61	2.91	10.38	2.95	10.28	2.97	10.18	2.98	10.00	3.01	9.85	3.04
							2	11.40	2.92	11.15	2.96	10.92	3.00	10.81	3.02	10.71	3.04	10.52	3.07	10.36	3.10
							7	12.49	3.02	12.22	3.06	11.98	3.11	11.90	3.12	11.76	3.14	11.57	3.18	11.40	3.21
							10	13.57	3.12	13.30	3.17	13.05	3.21	12.93	3.23	12.82	3.25	12.61	3.28	12.43	3.31
2000	2000	3500	3500	5000	16000	160%	-15	6.87	2.56	6.65	2.60	6.46	2.63	6.38	2.65	6.30	2.66	6.15	2.69	6.04	2.71
							-10	8.23	2.69	8.00	2.73	7.80	2.77	7.70	2.79	7.62	2.80	7.46	2.83	7.33	2.85
							-5	9.59	2.83	9.35	2.87	9.13	2.91	9.03	2.92	8.94	2.94	8.77	2.97	8.63	3.00
							0	10.95	2.96	10.70	3.00	10.47	3.04	10.37	3.06	10.27	3.08	10.09	3.11	9.93	3.14
							2	11.50	3.01	11.24	3.06	11.01	3.10	10.90	3.12	10.80	3.13	10.61	3.17	10.45	3.20
							7	12.59	3.12	12.32	3.16	12.08	3.20	12.00	3.22	11.86	3.24	11.67	3.28	11.49	3.31
							10	13.69	3.22	13.41	3.27	13.15	3.31	13.04	3.33	12.93	3.35	12.72	3.39	12.54	3.42
2000	2500	2500	2500	2500	12000	120%	-15	6.68	2.43	6.47	2.47	6.29	2.50	6.20	2.52	6.12	2.53	5.98	2.55	5.87	2.57
							-10	8.00	2.56	7.78	2.60	7.58	2.63	7.49	2.65	7.41	2.66	7.26	2.69	7.13	2.71
							-5	9.33	2.69	9.09	2.73	8.88	2.76	8.79	2.78	8.69	2.79	8.53	2.82	8.39	2.85
							0	10.65	2.81	10.41	2.85	10.18	2.89	10.08	2.91	9.98	2.93	9.81	2.96	9.66	2.98
							2	11.18	2.86	10.93	2.90	10.70	2.94	10.60	2.96	10.50	2.98	10.32	3.01	10.16	3.04
							7	12.25	2.96	11.99	3.01	11.75	3.05	11.67	3.06	11.53	3.08	11.34	3.11	11.18	3.14
							10	13.31	3.06	13.04	3.11	12.79	3.15	12.68	3.17	12.57	3.19	12.37	3.22	12.19	3.25
2000	2500	2500	2500	3500	13000	130%	-15	6.77	2.47	6.55	2.51	6.37	2.54	6.28	2.56	6.20	2.57	6.06	2.60	5.94	2.62
							-10	8.11	2.60	7.88	2.64	7.68	2.68	7.59	2.69	7.50	2.71	7.35	2.73	7.22	2.76
							-5	9.45	2.73	9.21	2.77	9.00	2.81	8.90	2.82	8.81	2.84	8.64	2.87	8.50	2.89
							0	10.79	2.86	10.54	2.90	10.31	2.94	10.21	2.96	10.11	2.97	9.94	3.00	9.78	3.03
							2	11.33	2.91	11.07	2.95	10.84	2.99	10.74	3.01	10.64	3.03	10.45	3.06	10.29	3.09
							7	12.40	3.01	12.14	3.05	11.90	3.10	11.82	3.11	11.68	3.13	11.49	3.17	11.32	3.20
							10	13.48	3.11	13.21	3.16	12.96	3.20	12.84	3.22	12.73	3.24	12.53	3.27	12.35	3.30
2000	2500	2500	2500	5000	14500	145%	-15	6.87	2.55	6.65	2.59	6.46	2.62	6.38	2.64	6.30	2.65	6.15	2.68	6.04	2.70
							-10	8.23	2.69	8.00	2.73	7.80	2.76	7.70	2.78	7.62	2.79	7.46	2.82	7.33	2.84
							-5	9.59	2.82	9.35	2.86	9.13	2.90	9.03	2.92	8.94	2.93	8.77	2.96	8.63	2.99
							0	10.95	2.95	10.70	2.99	10.47	3.03	10.37	3.05	10.27	3.07	10.09	3.10	9.93	3.13
							2	11.50	3.00	11.24	3.05	11.01	3.09	10.90	3.11	10.80	3.12	10.61	3.16	10.45	3.19
							7	12.59	3.11	12.32	3.15	12.08	3.19	12.00	3.21	11.86	3.23	11.67	3.27	11.49	3.30
							10	13.69	3.21	13.41	3.26	13.15	3.30	13.04	3.32	12.93	3.34	12.72	3.38	12.54	3.41
2000	2500	2500	2500	6800	16300	163%	-15	6.87	2.64	6.65	2.68	6.46	2.71	6.38	2.73	6.30	2.74	6.15	2.77	6.04	2.79
							-10	8.23	2.78	8.00	2.82	7.80	2.86	7.70	2.87	7.62	2.89	7.46	2.92	7.33	2.94
							-5	9.59	2.91	9.35	2.96	9.13	3.00	9.03	3.02	8.94	3.03	8.77	3.06	8.63	3.09
							0	10.95	3.05	10.70	3.10	10.47	3.14	10.37	3.16	10.27	3.17	10.09	3.21	9.93	3.24
							2	11.50	3.10	11.24	3.15	11.01	3.19	10.90	3.21	10.80	3.23	10.61	3.27	10.45	3.29
							7	12.59	3.21	12.32	3.26	12.08	3.30	12.00	3.32	11.86	3.34	11.67	3.38	11.49	3.41
							10	13.69	3.32	13.41	3.37	13.15	3.41	13.04	3.44	12.93	3.46	12.72	3.49	12.54	3.53
15	15.06	3.45	14.77	3.50	14.50	3.55	14.38	3.57	14.26	3.60	14.04	3.64	13.85	3.67							

# 12. Capacity Table

## 12-7. AJ100MCJ5EH/EU

### HEATING

Combination (Capacity Index)					Combination (Total)	Combination (%)	Outdoor Temperature (°C, DB)	Indoor Temperature (°C, DB)													
								14		16		18		20		21		22		24	
								TC(kW)	PI(kW)	TC(kW)	PI(kW)	TC(kW)	PI(kW)	TC(kW)	PI(kW)	TC(kW)	PI(kW)	TC(kW)	PI(kW)	TC(kW)	PI(kW)
2000	2500	2500	3500	3500	14000	140%	-15	6.87	2.51	6.65	2.55	6.46	2.58	6.38	2.60	6.30	2.61	6.15	2.64	6.04	2.66
							-10	8.23	2.64	8.00	2.68	7.80	2.72	7.70	2.73	7.62	2.75	7.46	2.78	7.33	2.80
							-5	9.59	2.77	9.35	2.82	9.13	2.85	9.03	2.87	8.94	2.89	8.77	2.92	8.63	2.94
							0	10.95	2.90	10.70	2.95	10.47	2.99	10.37	3.00	10.27	3.02	10.09	3.05	9.93	3.08
							2	11.50	2.96	11.24	3.00	11.01	3.04	10.90	3.06	10.80	3.08	10.61	3.11	10.45	3.14
							7	12.59	3.06	12.32	3.10	12.08	3.15	12.00	3.16	11.86	3.18	11.67	3.22	11.49	3.25
							10	13.69	3.16	13.41	3.21	13.15	3.25	13.04	3.27	12.93	3.29	12.72	3.33	12.54	3.36
15	15.06	3.29	14.77	3.34	14.50	3.38	14.38	3.40	14.26	3.42	14.04	3.46	13.85	3.49							
2000	2500	2500	3500	5000	15500	155%	-15	6.87	2.59	6.65	2.63	6.46	2.66	6.38	2.68	6.30	2.69	6.15	2.72	6.04	2.74
							-10	8.23	2.73	8.00	2.77	7.80	2.80	7.70	2.82	7.62	2.84	7.46	2.86	7.33	2.89
							-5	9.59	2.86	9.35	2.90	9.13	2.94	9.03	2.96	8.94	2.98	8.77	3.01	8.63	3.03
							0	10.95	3.00	10.70	3.04	10.47	3.08	10.37	3.10	10.27	3.12	10.09	3.15	9.93	3.18
							2	11.50	3.05	11.24	3.09	11.01	3.14	10.90	3.15	10.80	3.17	10.61	3.21	10.45	3.24
							7	12.59	3.15	12.32	3.20	12.08	3.24	12.00	3.26	11.86	3.28	11.67	3.32	11.49	3.35
							10	13.69	3.26	13.41	3.31	13.15	3.35	13.04	3.37	12.93	3.39	12.72	3.43	12.54	3.46
15	15.06	3.39	14.77	3.44	14.50	3.49	14.38	3.51	14.26	3.53	14.04	3.57	13.85	3.60							
2000	2500	2500	3500	6800	17300	173%	-15	6.87	2.68	6.65	2.72	6.46	2.75	6.38	2.77	6.30	2.79	6.15	2.81	6.04	2.84
							-10	8.23	2.82	8.00	2.86	7.80	2.90	7.70	2.92	7.62	2.93	7.46	2.96	7.33	2.99
							-5	9.59	2.96	9.35	3.00	9.13	3.04	9.03	3.06	8.94	3.08	8.77	3.11	8.63	3.14
							0	10.95	3.10	10.70	3.14	10.47	3.18	10.37	3.20	10.27	3.22	10.09	3.26	9.93	3.28
							2	11.50	3.15	11.24	3.20	11.01	3.24	10.90	3.26	10.80	3.28	10.61	3.31	10.45	3.34
							7	12.59	3.26	12.32	3.31	12.08	3.35	12.00	3.37	11.86	3.39	11.67	3.43	11.49	3.46
							10	13.69	3.37	13.41	3.42	13.15	3.47	13.04	3.49	12.93	3.51	12.72	3.55	12.54	3.58
15	15.06	3.50	14.77	3.56	14.50	3.61	14.38	3.63	14.26	3.65	14.04	3.69	13.85	3.73							
2000	2500	2500	5000	5000	17000	170%	-15	6.87	2.68	6.65	2.72	6.46	2.75	6.38	2.77	6.30	2.79	6.15	2.81	6.04	2.84
							-10	8.23	2.82	8.00	2.86	7.80	2.90	7.70	2.92	7.62	2.93	7.46	2.96	7.33	2.99
							-5	9.59	2.96	9.35	3.00	9.13	3.04	9.03	3.06	8.94	3.08	8.77	3.11	8.63	3.14
							0	10.95	3.10	10.70	3.14	10.47	3.18	10.37	3.20	10.27	3.22	10.09	3.26	9.93	3.28
							2	11.50	3.15	11.24	3.20	11.01	3.24	10.90	3.26	10.80	3.28	10.61	3.31	10.45	3.34
							7	12.59	3.26	12.32	3.31	12.08	3.35	12.00	3.37	11.86	3.39	11.67	3.43	11.49	3.46
							10	13.69	3.37	13.41	3.42	13.15	3.47	13.04	3.49	12.93	3.51	12.72	3.55	12.54	3.58
15	15.06	3.50	14.77	3.56	14.50	3.61	14.38	3.63	14.26	3.65	14.04	3.69	13.85	3.73							
2000	2500	3500	3500	3500	15000	150%	-15	6.87	2.51	6.65	2.55	6.46	2.58	6.38	2.60	6.30	2.61	6.15	2.64	6.04	2.66
							-10	8.23	2.64	8.00	2.68	7.80	2.72	7.70	2.73	7.62	2.75	7.46	2.78	7.33	2.80
							-5	9.59	2.77	9.35	2.82	9.13	2.85	9.03	2.87	8.94	2.89	8.77	2.92	8.63	2.94
							0	10.95	2.90	10.70	2.95	10.47	2.99	10.37	3.00	10.27	3.02	10.09	3.05	9.93	3.08
							2	11.50	2.96	11.24	3.00	11.01	3.04	10.90	3.06	10.80	3.08	10.61	3.11	10.45	3.14
							7	12.59	3.06	12.32	3.10	12.08	3.15	12.00	3.16	11.86	3.18	11.67	3.22	11.49	3.25
							10	13.69	3.16	13.41	3.21	13.15	3.25	13.04	3.27	12.93	3.29	12.72	3.33	12.54	3.36
15	15.06	3.29	14.77	3.34	14.50	3.38	14.38	3.40	14.26	3.42	14.04	3.46	13.85	3.49							
2000	2500	3500	3500	5000	16500	165%	-15	6.87	2.60	6.65	2.64	6.46	2.67	6.38	2.69	6.30	2.70	6.15	2.73	6.04	2.75
							-10	8.23	2.74	8.00	2.78	7.80	2.81	7.70	2.83	7.62	2.85	7.46	2.87	7.33	2.90
							-5	9.59	2.87	9.35	2.91	9.13	2.95	9.03	2.97	8.94	2.99	8.77	3.02	8.63	3.04
							0	10.95	3.00	10.70	3.05	10.47	3.09	10.37	3.11	10.27	3.13	10.09	3.16	9.93	3.19
							2	11.50	3.06	11.24	3.10	11.01	3.15	10.90	3.16	10.80	3.18	10.61	3.22	10.45	3.24
							7	12.59	3.16	12.32	3.21	12.08	3.25	12.00	3.27	11.86	3.29	11.67	3.33	11.49	3.36
							10	13.69	3.27	13.41	3.32	13.15	3.36	13.04	3.38	12.93	3.40	12.72	3.44	12.54	3.47
15	15.06	3.40	14.77	3.45	14.50	3.50	14.38	3.52	14.26	3.54	14.04	3.58	13.85	3.61							

# 12. Capacity Table

## 12-7. AJ100MCJ5EH/EU

### HEATING

Combination (Capacity Index)					Combination (Total)	Combination (%)	Outdoor Temperature (°C, DB)	Indoor Temperature (°C, DB)													
								14		16		18		20		21		22		24	
								TC(kW)	PI(kW)	TC(kW)	PI(kW)	TC(kW)	PI(kW)	TC(kW)	PI(kW)	TC(kW)	PI(kW)	TC(kW)	PI(kW)	TC(kW)	PI(kW)
2000	3500	3500	3500	3500	16000	160%	-15	6.87	2.55	6.65	2.59	6.46	2.62	6.38	2.64	6.30	2.65	6.15	2.68	6.04	2.70
							-10	8.23	2.69	8.00	2.73	7.80	2.76	7.70	2.78	7.62	2.79	7.46	2.82	7.33	2.84
							-5	9.59	2.82	9.35	2.86	9.13	2.90	9.03	2.92	8.94	2.93	8.77	2.96	8.63	2.99
							0	10.95	2.95	10.70	2.99	10.47	3.03	10.37	3.05	10.27	3.07	10.09	3.10	9.93	3.13
							2	11.50	3.00	11.24	3.05	11.01	3.09	10.90	3.11	10.80	3.12	10.61	3.16	10.45	3.19
							7	12.59	3.11	12.32	3.15	12.08	3.19	12.00	3.21	11.86	3.23	11.67	3.27	11.49	3.30
							10	13.69	3.21	13.41	3.26	13.15	3.30	13.04	3.32	12.93	3.34	12.72	3.38	12.54	3.41
2500	2500	2500	2500	2500	12500	125%	-15	6.87	2.33	6.65	2.36	6.46	2.39	6.38	2.41	6.30	2.42	6.15	2.45	6.04	2.46
							-10	8.23	2.45	8.00	2.49	7.80	2.52	7.70	2.54	7.62	2.55	7.46	2.57	7.33	2.60
							-5	9.59	2.57	9.35	2.61	9.13	2.65	9.03	2.66	8.94	2.68	8.77	2.70	8.63	2.73
							0	10.95	2.69	10.70	2.73	10.47	2.77	10.37	2.79	10.27	2.80	10.09	2.83	9.93	2.86
							2	11.50	2.74	11.24	2.78	11.01	2.82	10.90	2.84	10.80	2.85	10.61	2.88	10.45	2.91
							7	12.59	2.84	12.32	2.88	12.08	2.92	12.00	2.93	11.86	2.95	11.67	2.98	11.49	3.01
							10	13.69	2.93	13.41	2.97	13.15	3.01	13.04	3.03	12.93	3.05	12.72	3.08	12.54	3.11
2500	2500	2500	2500	3500	13500	135%	-15	6.87	2.50	6.65	2.54	6.46	2.57	6.38	2.59	6.30	2.60	6.15	2.63	6.04	2.65
							-10	8.23	2.64	8.00	2.67	7.80	2.71	7.70	2.73	7.62	2.74	7.46	2.77	7.33	2.79
							-5	9.59	2.77	9.35	2.81	9.13	2.84	9.03	2.86	8.94	2.88	8.77	2.91	8.63	2.93
							0	10.95	2.89	10.70	2.94	10.47	2.98	10.37	2.99	10.27	3.01	10.09	3.04	9.93	3.07
							2	11.50	2.95	11.24	2.99	11.01	3.03	10.90	3.05	10.80	3.07	10.61	3.10	10.45	3.13
							7	12.59	3.05	12.32	3.09	12.08	3.14	12.00	3.15	11.86	3.17	11.67	3.21	11.49	3.24
							10	13.69	3.15	13.41	3.20	13.15	3.24	13.04	3.26	12.93	3.28	12.72	3.31	12.54	3.35
2500	2500	2500	2500	5000	15000	150%	-15	6.87	2.59	6.65	2.63	6.46	2.66	6.38	2.68	6.30	2.69	6.15	2.72	6.04	2.74
							-10	8.23	2.73	8.00	2.77	7.80	2.80	7.70	2.82	7.62	2.84	7.46	2.86	7.33	2.89
							-5	9.59	2.86	9.35	2.90	9.13	2.94	9.03	2.96	8.94	2.98	8.77	3.01	8.63	3.03
							0	10.95	3.00	10.70	3.04	10.47	3.08	10.37	3.10	10.27	3.12	10.09	3.15	9.93	3.18
							2	11.50	3.05	11.24	3.09	11.01	3.14	10.90	3.15	10.80	3.17	10.61	3.21	10.45	3.24
							7	12.59	3.15	12.32	3.20	12.08	3.24	12.00	3.26	11.86	3.28	11.67	3.32	11.49	3.35
							10	13.69	3.26	13.41	3.31	13.15	3.35	13.04	3.37	12.93	3.39	12.72	3.43	12.54	3.46
2500	2500	2500	2500	6800	16800	168%	-15	6.87	2.68	6.65	2.72	6.46	2.75	6.38	2.77	6.30	2.79	6.15	2.81	6.04	2.84
							-10	8.23	2.82	8.00	2.86	7.80	2.90	7.70	2.92	7.62	2.93	7.46	2.96	7.33	2.99
							-5	9.59	2.96	9.35	3.00	9.13	3.04	9.03	3.06	8.94	3.08	8.77	3.11	8.63	3.14
							0	10.95	3.10	10.70	3.14	10.47	3.18	10.37	3.20	10.27	3.22	10.09	3.26	9.93	3.28
							2	11.50	3.15	11.24	3.20	11.01	3.24	10.90	3.26	10.80	3.28	10.61	3.31	10.45	3.34
							7	12.59	3.26	12.32	3.31	12.08	3.35	12.00	3.37	11.86	3.39	11.67	3.43	11.49	3.46
							10	13.69	3.37	13.41	3.42	13.15	3.47	13.04	3.49	12.93	3.51	12.72	3.55	12.54	3.58
2500	2500	2500	3500	3500	14500	145%	-15	6.87	2.54	6.65	2.58	6.46	2.62	6.38	2.63	6.30	2.64	6.15	2.67	6.04	2.69
							-10	8.23	2.68	8.00	2.72	7.80	2.75	7.70	2.77	7.62	2.78	7.46	2.81	7.33	2.84
							-5	9.59	2.81	9.35	2.85	9.13	2.89	9.03	2.91	8.94	2.92	8.77	2.95	8.63	2.98
							0	10.95	2.94	10.70	2.98	10.47	3.02	10.37	3.04	10.27	3.06	10.09	3.09	9.93	3.12
							2	11.50	2.99	11.24	3.04	11.01	3.08	10.90	3.10	10.80	3.11	10.61	3.15	10.45	3.18
							7	12.59	3.10	12.32	3.14	12.08	3.19	12.00	3.20	11.86	3.22	11.67	3.26	11.49	3.29
							10	13.69	3.20	13.41	3.25	13.15	3.29	13.04	3.31	12.93	3.33	12.72	3.37	12.54	3.40

# 12. Capacity Table

## 12-7. AJ100MCJ5EH/EU

### HEATING

Combination (Capacity Index)					Combination (Total)	Combination (%)	Outdoor Temperature (°C, DB)	Indoor Temperature (°C, DB)													
								14		16		18		20		21		22		24	
								TC(kW)	PI(kW)	TC(kW)	PI(kW)	TC(kW)	PI(kW)	TC(kW)	PI(kW)	TC(kW)	PI(kW)	TC(kW)	PI(kW)	TC(kW)	PI(kW)
2500	2500	2500	3500	5000	16000	160%	-15	6.87	2.63	6.65	2.67	6.46	2.71	6.38	2.72	6.30	2.74	6.15	2.76	6.04	2.78
							-10	8.23	2.77	8.00	2.81	7.80	2.85	7.70	2.86	7.62	2.88	7.46	2.91	7.33	2.93
							-5	9.59	2.91	9.35	2.95	9.13	2.99	9.03	3.01	8.94	3.02	8.77	3.05	8.63	3.08
							0	10.95	3.04	10.70	3.09	10.47	3.13	10.37	3.15	10.27	3.16	10.09	3.20	9.93	3.23
							2	11.50	3.10	11.24	3.14	11.01	3.18	10.90	3.20	10.80	3.22	10.61	3.26	10.45	3.28
							7	12.59	3.20	12.32	3.25	12.08	3.29	12.00	3.31	11.86	3.33	11.67	3.37	11.49	3.40
							10	13.69	3.31	13.41	3.36	13.15	3.40	13.04	3.43	12.93	3.45	12.72	3.48	12.54	3.52
							15	15.06	3.44	14.77	3.49	14.50	3.54	14.38	3.56	14.26	3.58	14.04	3.62	13.85	3.66
2500	2500	3500	3500	3500	15500	155%	-15	6.87	2.58	6.65	2.62	6.46	2.66	6.38	2.67	6.30	2.69	6.15	2.71	6.04	2.73
							-10	8.23	2.72	8.00	2.76	7.80	2.80	7.70	2.81	7.62	2.83	7.46	2.86	7.33	2.88
							-5	9.59	2.85	9.35	2.90	9.13	2.93	9.03	2.95	8.94	2.97	8.77	3.00	8.63	3.02
							0	10.95	2.99	10.70	3.03	10.47	3.07	10.37	3.09	10.27	3.11	10.09	3.14	9.93	3.17
							2	11.50	3.04	11.24	3.08	11.01	3.13	10.90	3.15	10.80	3.16	10.61	3.20	10.45	3.23
							7	12.59	3.14	12.32	3.19	12.08	3.23	12.00	3.25	11.86	3.27	11.67	3.31	11.49	3.34
							10	13.69	3.25	13.41	3.30	13.15	3.34	13.04	3.36	12.93	3.38	12.72	3.42	12.54	3.45
							15	15.06	3.38	14.77	3.43	14.50	3.48	14.38	3.50	14.26	3.52	14.04	3.56	13.85	3.59
2500	2500	3500	3500	5000	17000	170%	-15	6.87	2.67	6.65	2.71	6.46	2.75	6.38	2.76	6.30	2.78	6.15	2.80	6.04	2.83
							-10	8.23	2.81	8.00	2.85	7.80	2.89	7.70	2.91	7.62	2.92	7.46	2.95	7.33	2.98
							-5	9.59	2.95	9.35	2.99	9.13	3.03	9.03	3.05	8.94	3.07	8.77	3.10	8.63	3.13
							0	10.95	3.09	10.70	3.13	10.47	3.18	10.37	3.19	10.27	3.21	10.09	3.25	9.93	3.28
							2	11.50	3.14	11.24	3.19	11.01	3.23	10.90	3.25	10.80	3.27	10.61	3.30	10.45	3.33
							7	12.59	3.25	12.32	3.30	12.08	3.34	12.00	3.36	11.86	3.38	11.67	3.42	11.49	3.45
							10	13.69	3.36	13.41	3.41	13.15	3.46	13.04	3.48	12.93	3.50	12.72	3.54	12.54	3.57
							15	15.06	3.49	14.77	3.55	14.50	3.60	14.38	3.62	14.26	3.64	14.04	3.68	13.85	3.71
2500	3500	3500	3500	3500	16500	165%	-15	6.87	2.59	6.65	2.63	6.46	2.66	6.38	2.68	6.30	2.69	6.15	2.72	6.04	2.74
							-10	8.23	2.73	8.00	2.77	7.80	2.80	7.70	2.82	7.62	2.84	7.46	2.86	7.33	2.89
							-5	9.59	2.86	9.35	2.90	9.13	2.94	9.03	2.96	8.94	2.98	8.77	3.01	8.63	3.03
							0	10.95	3.00	10.70	3.04	10.47	3.08	10.37	3.10	10.27	3.12	10.09	3.15	9.93	3.18
							2	11.50	3.05	11.24	3.09	11.01	3.14	10.90	3.15	10.80	3.17	10.61	3.21	10.45	3.24
							7	12.59	3.15	12.32	3.20	12.08	3.24	12.00	3.26	11.86	3.28	11.67	3.32	11.49	3.35
							10	13.69	3.26	13.41	3.31	13.15	3.35	13.04	3.37	12.93	3.39	12.72	3.43	12.54	3.46
							15	15.06	3.39	14.77	3.44	14.50	3.49	14.38	3.51	14.26	3.53	14.04	3.57	13.85	3.60

### NOTE

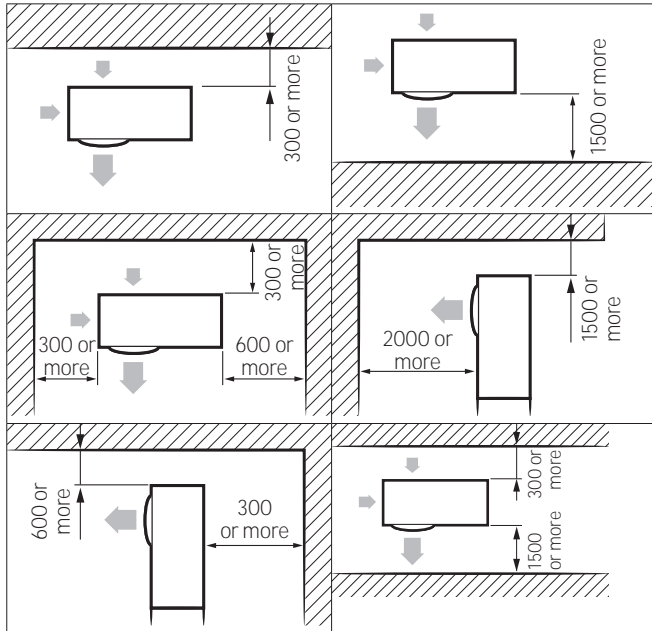
- Cooling capacity is based on 27°CDB / 19°CWB (indoor temperature), 35°CDB (outdoor temperature).
- Heating capacity is based on 20°CDB (indoor temperature), 7°CDB/6°CWB (outdoor temperature).
- The above is the value for connecting with the following indoor units.
  - 2000, 2500, 3500, 5000, 6800W class: Wall Mounted
- Capacities are based on the following conditions:
  - Corresponding refrigerant piping length : 5m / - Level difference : 0m
- The total ability of connected a indoor unit is up to 17.3kW
- It is impossible to connect the indoor unit for one room only.
- This data is reference data for temperature capacity trend.

# 13. Installation

## Minimum clearances for the outdoor unit

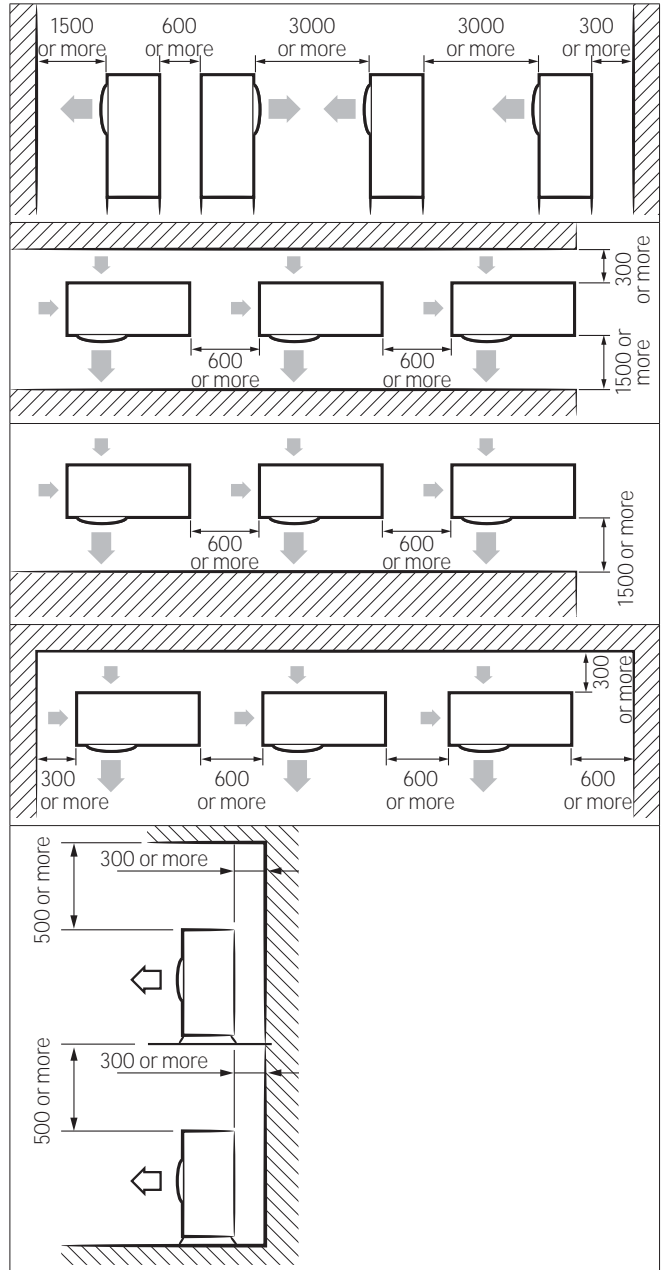
When installing 1 outdoor unit

(Unit: mm)



When installing more than 1 outdoor unit

(Unit: mm)



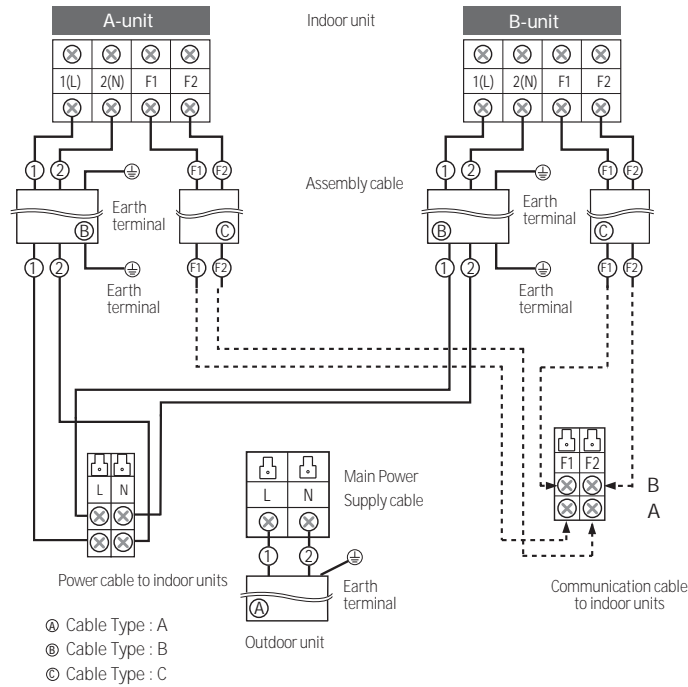
### ⚠ CAUTION

- The outdoor unit must be installed according to the specified distances in order to permit accessibility from each side, to guarantee correct operation, maintenance, and repair of the unit. The components of the outdoor unit must be reachable and removable under safe conditions for people and the unit.

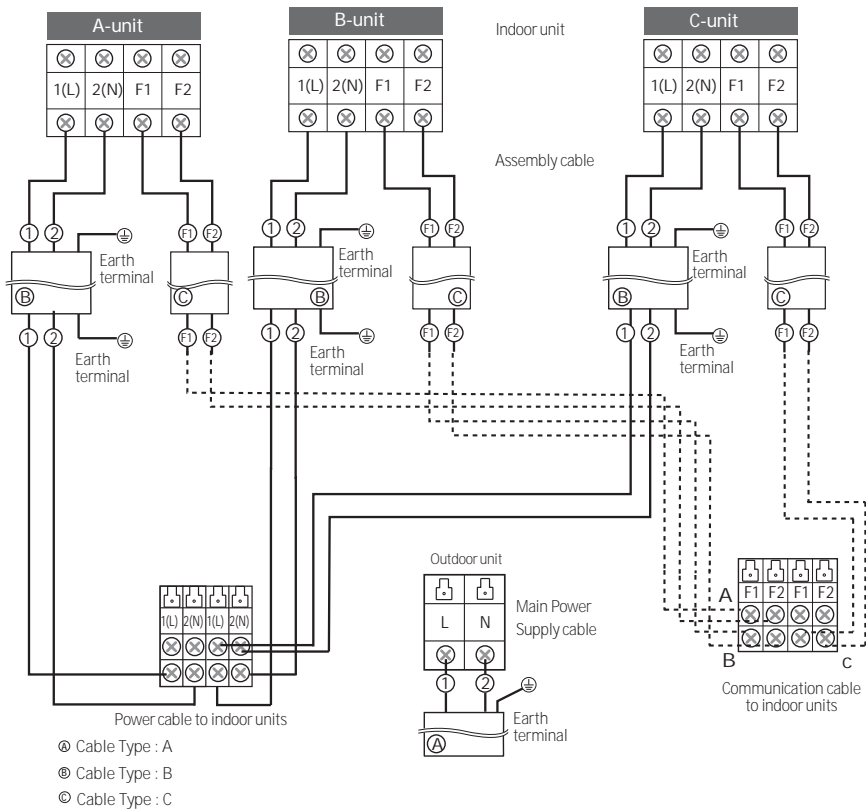
# 13. Installation

## Conncting the cables to the outdoor unit

AJ040/050MCJ2EH



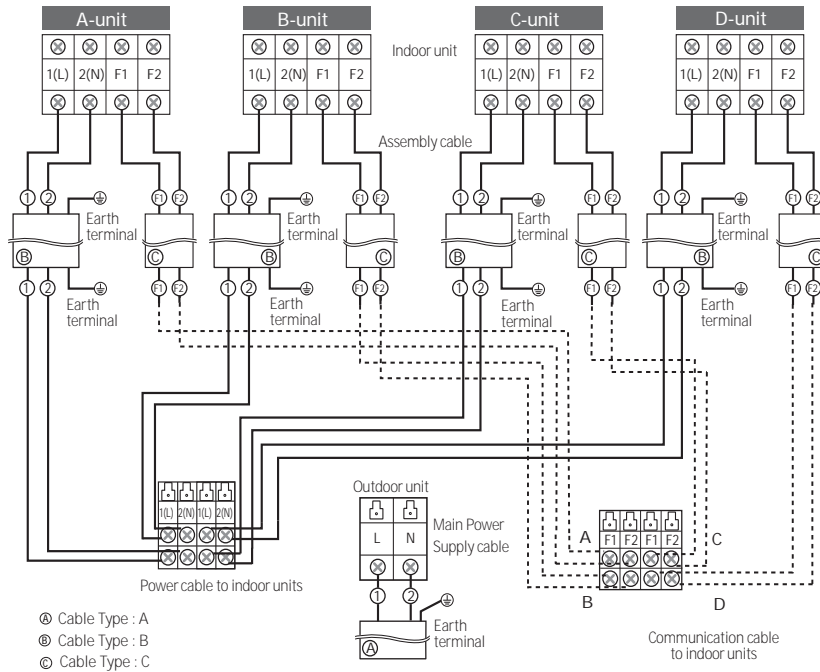
AJ052/068MCJ3EH



# 13. Installation

## Conncting the cables to the outdoor unit

AJ070/080MCJ4EH



### Specification for circuit breaker and power supply cord

- Power supply cord is not supplied with air conditioner.
- Select the power supply cord in accordance with relevant local and national regulations.
- Wire size must comply with the applicable local and national code.
- Specifications for local wiring power supply cord and branch wiring are in compliance with local cord.

Model		Outdoor Units		Maximum Input Current[A]			Power Supply	
		Rated	Rated	Outdoor	Indoor(Max.)	Total	MCA	MFA
Outdoor Unit	Indoor Unit	Hz	Volts					
AJ040MCJ2EH	2 Room	50	1phase,220-240	9	0.8	9.8	9.8	11.25
AJ050MCJ2EH	2 Room	50	1phase,220-240	11	0.8	11.8	11.8	13.75
AJ052MCJ3EH	3 Room	50	1phase,220-240	11	1.2	12.2	12.2	13.75
AJ068MCJ3EH	3 Room	50	1phase,220-240	14	1.5	15.5	15.5	17.5
AJ070MCJ4EH	4 Room	50	1phase,220-240	16.6	2.1	18.7	18.7	20.75
AJ080MCJ4EH	4 Room	50	1phase,220-240	16.6	2.1	18.7	18.7	20.75

### NOTE

- Power Supply cords of parts of appliances for outdoor use shall not be lighter than polychloroprene sheathed flexible cord. (Code designation IEC:60245 IEC 57 / CENELEC: H05RN-F , IEC:60245 IEC 66 / CENELEC: H07RN-F )
- Select power supply cord based on MCA.
- MFA is used to select the circuit breaker and the ground fault circuit interrupter (earth leakage circuit breaker).
- MCA represents maximum input current.
- MFA represents capacity which may accept MCA.

### Abbreviations

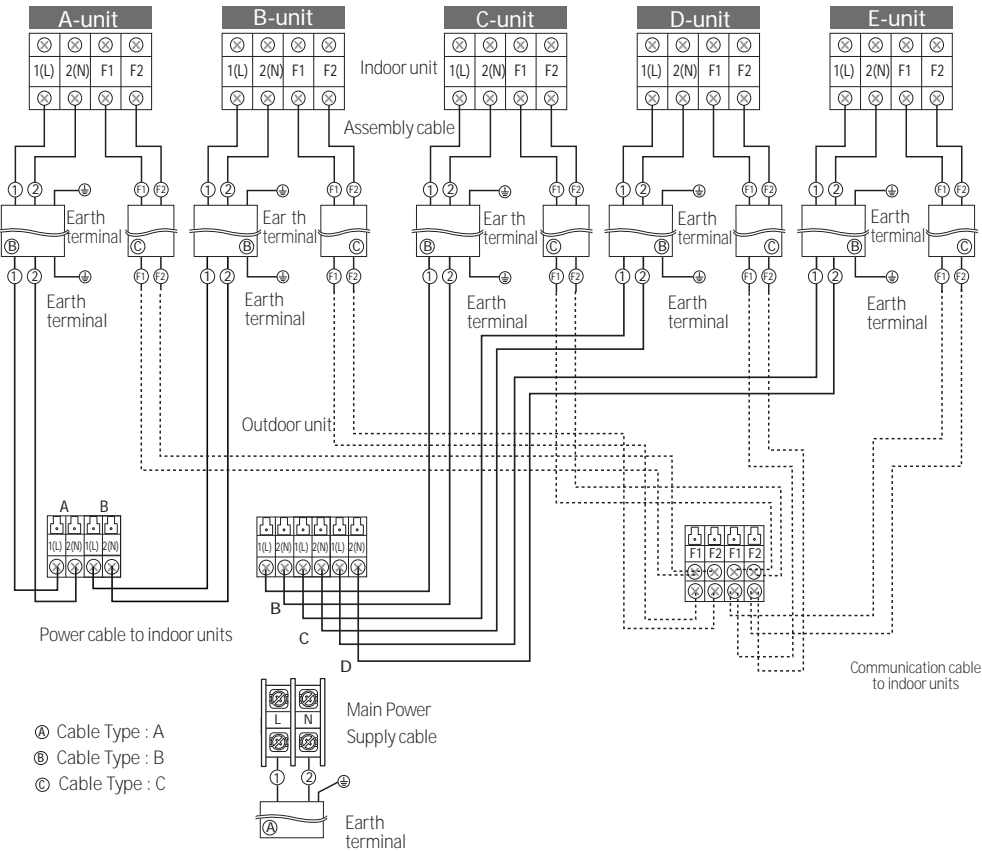
- MCA : Min. Circuit Amps. (A)
- MFA : Max. Fuse Amps. (A)

Screw	Tighten Torque(kgf.cm)	Position
M4	12.0-18.0	1(L), 2(L), L, N, F1, F2

# 13. Installation

## Conncting the cables to the outdoor unit

AJ100MCJ5EH



### Specification for circuit breaker and power supply cord

- Power supply cord is not supplied with air conditioner.
- Select the power supply cord in accordance with relevant local and national regulations.
- Wire size must comply with the applicable local and national code.
- Specifications for local wiring power supply cord and branch wiring are in compliance with local cord.

Model		Outdoor Units		Maximun Input Current[A]			Power Supply	
		Rated		Outdoor	Indoor(Max.)	Total	MCA	MFA
Outdoor Unit	Indoor Unit	Hz	Volts					
AJ100MCJ5EH	5 Room	50	1phase,220-240	23.0	3.2	26.2	26.2	28.8

### NOTE

- Power Supply cords of parts of appliances for outdoor use shall not be lighter than polychloroprene sheathed flexible cord. (Code designation IEC:60245 IEC 57 / CENELEC: H05RN-F)
- Select power supply cord based on MCA.
- MFA is used to select the circuit breaker and the ground fault circuit interrupter (earth leakage circuit breaker).
- MCA represents maximum input current.
- MFA represents capacity which may accept MCA.

### Abbreviations

- MCA : Min. Circuit Amps. (A)
- MFA : Max. Fuse Amps. (A)

Screw	Tighten Torque(kgf.cm)	Position
M4	12.0-18.0	1(L), 2(L), L, N, F1, F2



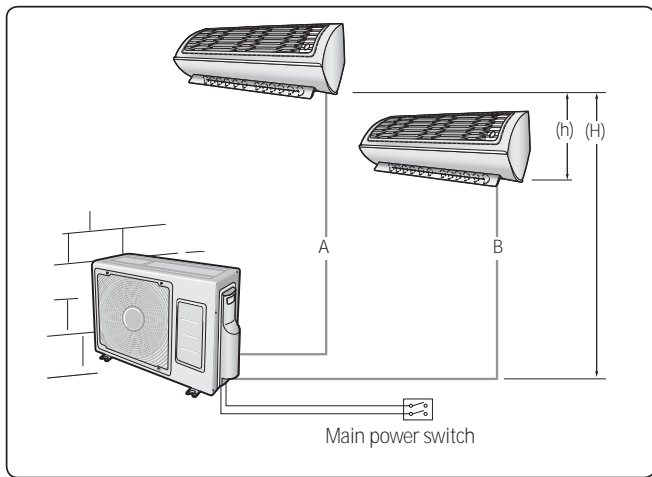
# 13. Installation

## Connecting the refrigerant pipe

### ◆ AJ040/050MCJ2EH

#### 1 Piping outside diameter.

Indoor unit	Out unit	Power supply Ø, V, Hz	Outside diameter	
			Liquid	Gas
※※020/026/ 035/07/09/12※※	AJ040MCJ2EH	1,220-240, 50/60	1/4"	3/8"
※※020/023/026 /035/07/09/12※※	AJ050MCJ2EH	1,220-240, 50/60	1/4"	3/8"
※※052/18※※				1/2"

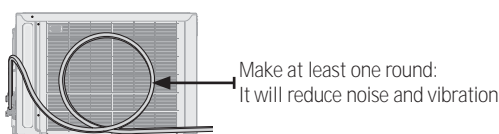


#### NOTE

- AJ040MCJ2EH Outdoor unit cannot be connected to the following indoor unit combination.
  - NJ※※※ /AJN※※/ MH052FUEA
- AJ050MCJ2EH Outdoor unit cannot be connected to the following indoor unit combination. -AJN052NDEHA/ MH052FUEA

#### 2 Piping length and the height

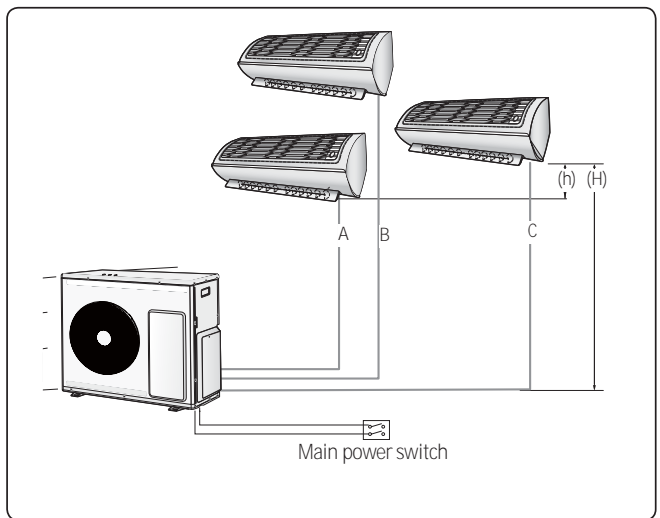
	1 Room max length	2 Room total max length	Max height between indoor unit & outdoor unit	Max height between indoor units
Dimension	20m	30m	15m	7.5m
Composition	A,B	A+B	(H)	(h)



### ◆ AJ052/068MCJ3EH

#### 1 Piping outside diameter.

Indoor unit	Out unit	Power supply Ø, V, Hz	Outside diameter	
			Liquid	Gas
※※020/023/026 /035/07/09/12※※	AJ052MCJ3EH	1,220-240, 50/60	1/4"	3/8"
※※052/18※※	AJ068MCJ3EH			1/2"

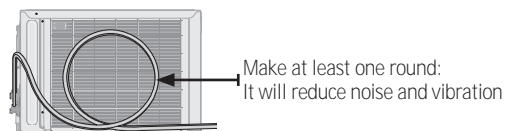


#### NOTE

- AJ052MCJ3EH Outdoor unit cannot be connected to the following indoor unit combination.
  - AJN052NDEHA/MH052FUEA

#### 2 Piping length and the height.

	1 Room max length	3 Room total max length	Max height between indoor unit & outdoor unit	Max height between indoor units
Dimension	20m	50m	15m	7.5m
Composition	A,B,C	A+B+C	(H)	(h)



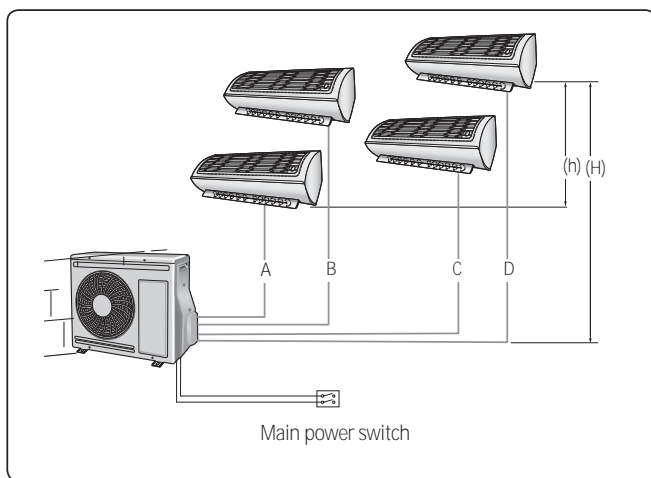
# 13. Installation

## Connecting the refrigerant pipe

### ◆ AJ070/080MCJ4EH

1 Piping outside diameter.

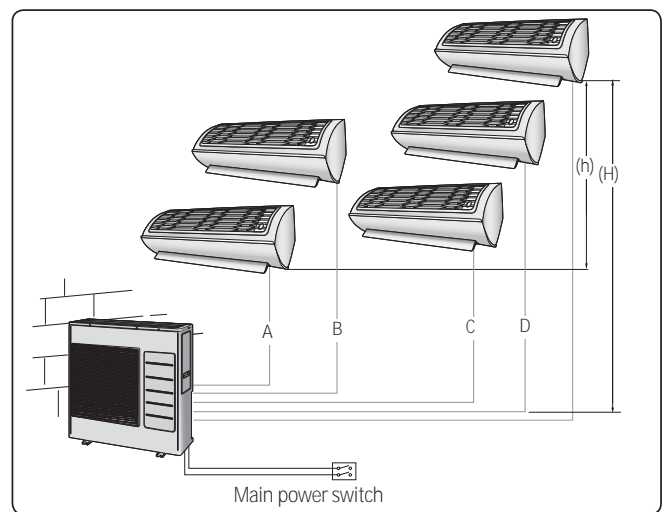
Indoor unit	Out unit	Power supply Ø, V, Hz	Outside diameter	
			Liquid	Gas
※※020/026/ 035/07/09/12※※	AJ070MCJ4EH AJ080MCJ4EH	1,220-240, 50/60	1/4"	3/8"
※※052/18※※				1/2"
※※24※※				5/8"



### ◆ AJ100MCJ5EH

1 Piping outside diameter.

Indoor unit	Out unit	Power supply Ø, V, Hz	Outside diameter	
			Liquid	Gas
※※020/026/ 035/07/09/12※※	AJ100MCJ5EH	1,220-240, 50/60	1/4"	3/8"
※※052/18※※				1/2"
※※24※※				5/8"

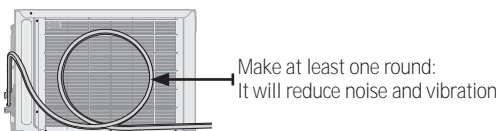


### NOTE

- ※※24※※ model is connectable to only an 8 kw outdoor unit

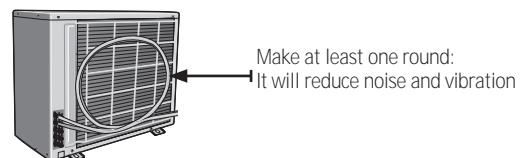
2 Piping length and the height.

	1 Room max length	4 Room total max length	Max height between indoor unit & outdoor unit	Max height between indoor units
Dimension	25m	70m	15m	7.5m
Composition	A,B,C,D	A+B+C+D	(H)	(h)



2 Piping length and the height.

	1 Room max length	4 Room total max length	Max height between indoor unit & outdoor unit	Max height between indoor units
Dimension	25m	80m	15m	7.5m
Composition	A,B,C,D,E	A+B+C+D+E	(H)	(h)



### CAUTION

- 3 m as minimum pipe length: It will reduce noise and vibration.
- The appearance of the unit may be different from the diagram depending on the model.







### NOTE

- You can use the Cool and Heat modes in the following conditions :

Model	Cool	Heat
Outdoor temperature	-5 °C to 46 °C	-15 °C to 24 °C

- It could take maximum 60 minutes to operate for the protection of the compressor, if the outdoor temperature is below -5°C.

# 14. Accessory

Classification	Product	Image	Application model
Drain Pump	MDP-E075SEE3		Slim Duct (2.6 ~ 3.5kW)
	MDP-M075SGU3		MSP Duct (5.2kW)
Panel	PC4SUSMC		4Way Cassette (600x600)
	PC4SUSMG		
	PSSMA		1Way Cassette
RAC Extension Board	MIM-A00		RAC

2017. 03  
Ver.14

Samsung Electronics Co., LTD.  
B2B PM / SE

Head Office (Suwon Korea) 129, Samsung-Ro, Yeongtong-Gu, Suwon City, Gyeonggi-Do, Korea 16677  
Website : [www.samsung.com](http://www.samsung.com), <http://btsp.samsungsbn.com> Email : [airconditioner@samsung.com](mailto:airconditioner@samsung.com)  
Images and data in this book may subject to change without prior notice.